



US00D777074S

(12) **United States Design Patent**
Valencia Pollex

(10) **Patent No.:** **US D777,074 S**
(45) **Date of Patent:** **** Jan. 24, 2017**

(54) **VEHICLE WHEEL RIM**

(71) Applicant: **AUDI AG**, Ingolstadt (DE)

(72) Inventor: **Andreas Valencia Pollex**, Ingolstadt (DE)

(73) Assignee: **AUDI AG**, Ingolstadt (DE)

(**) Term: **14 Years**

(21) Appl. No.: **29/526,578**

(22) Filed: **May 11, 2015**

(30) **Foreign Application Priority Data**

Nov. 10, 2014 (EM) 002 575 316-0001

(51) **LOC (10) Cl.** **12-16**

(52) **U.S. Cl.**
USPC **D12/211**

(58) **Field of Classification Search**
USPC D12/204-213
CPC B60B 7/00; B60B 7/02; B60B 7/04;
B60B 7/01; B60B 7/06; B60B 3/02; B60B
3/04; B60B 3/06; B60B 3/10; B60B 1/00;
B60B 1/08; B60B 1/10; B60B 1/12

See application file for complete search history.

(56) **References Cited**

U.S. PATENT DOCUMENTS

D431,514 S * 10/2000 Cullen D12/209
D460,037 S * 7/2002 Takechi D12/211

D506,717 S * 6/2005 Gallert D12/209
D524,220 S * 7/2006 Scheu D12/211
D533,826 S * 12/2006 Scheu D12/211
D542,207 S * 5/2007 Gauffres D12/211
D587,177 S * 2/2009 Scheu D12/209
D623,115 S * 9/2010 Juergens D12/211
D629,346 S * 12/2010 Szews D12/211
D638,771 S * 5/2011 Chung D12/211
D682,179 S * 5/2013 Badstuebner D12/211
D684,912 S * 6/2013 Yamashita D12/209
D688,188 S * 8/2013 Baum D12/211
D691,081 S * 10/2013 Watkin D12/211
D702,614 S * 4/2014 Lemke D12/211
D715,715 S * 10/2014 Pollmann D12/209
D721,028 S * 1/2015 Lemke D12/211
D726,626 S * 4/2015 Mays D12/211
D731,389 S * 6/2015 Gotschke D12/211
D748,558 S * 2/2016 Hans D12/211
D749,029 S * 2/2016 Wheel D12/211
D751,486 S * 3/2016 Reimer D12/211

* cited by examiner

Primary Examiner — Stacia Cadmus

(74) *Attorney, Agent, or Firm* — Lucas & Mercanti, LLP;
Klaus P. Stoffel

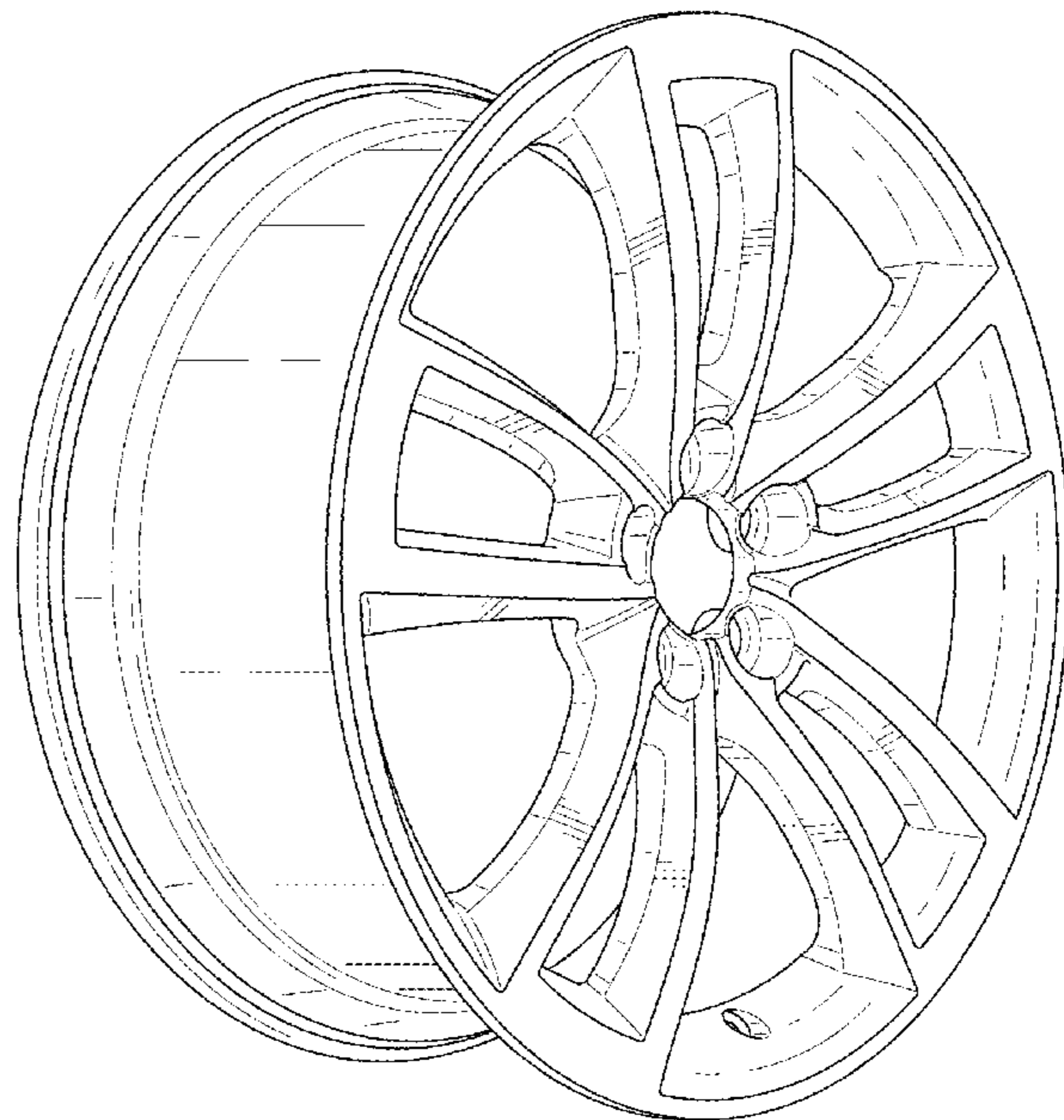
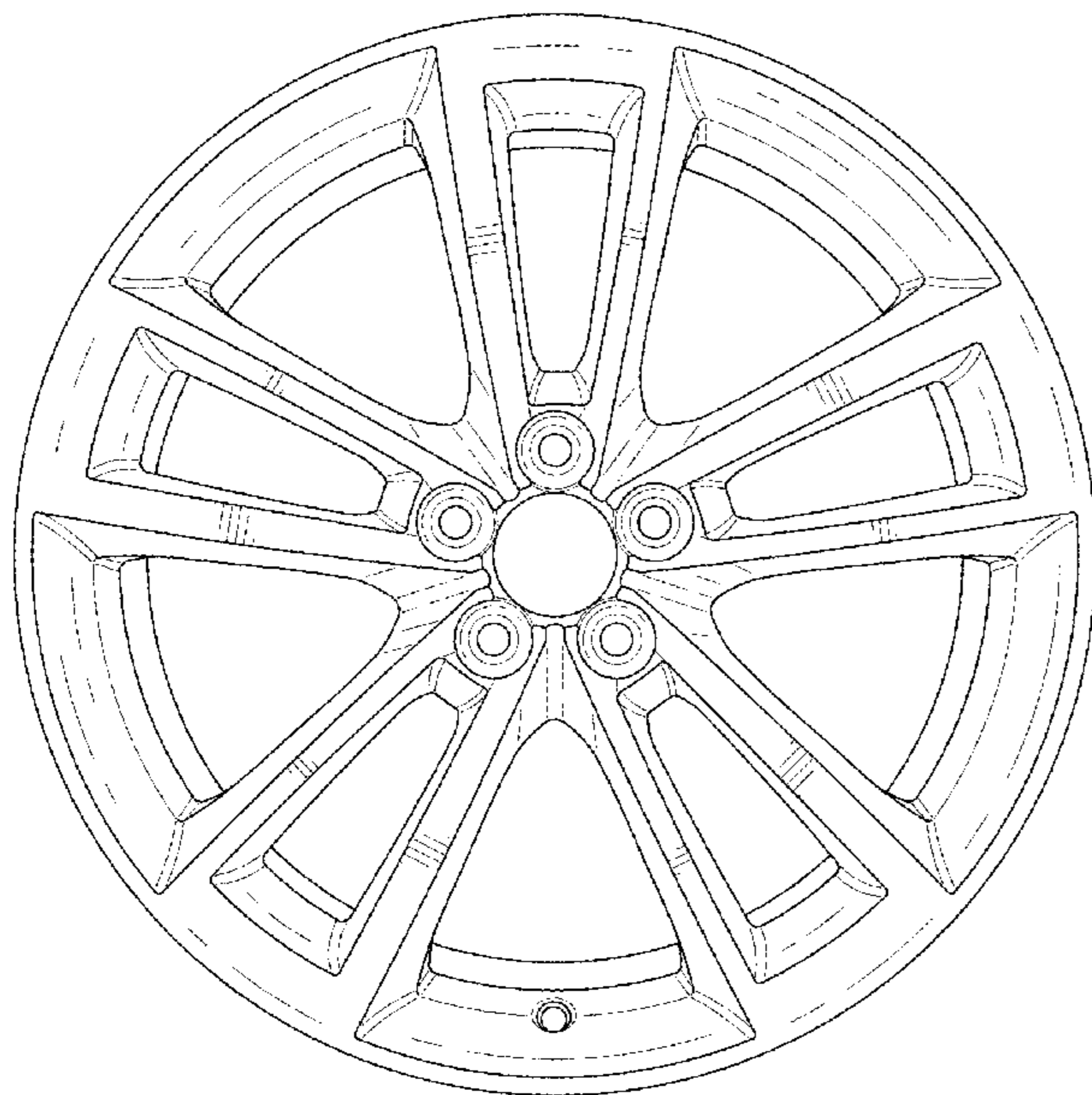
(57) **CLAIM**

The ornamental design for a vehicle wheel rim, as shown and described.

DESCRIPTION

FIG. 1 is a front view of the vehicle wheel rim of the present invention; and,
FIG. 2 is a front, side perspective view thereof.

1 Claim, 2 Drawing Sheets



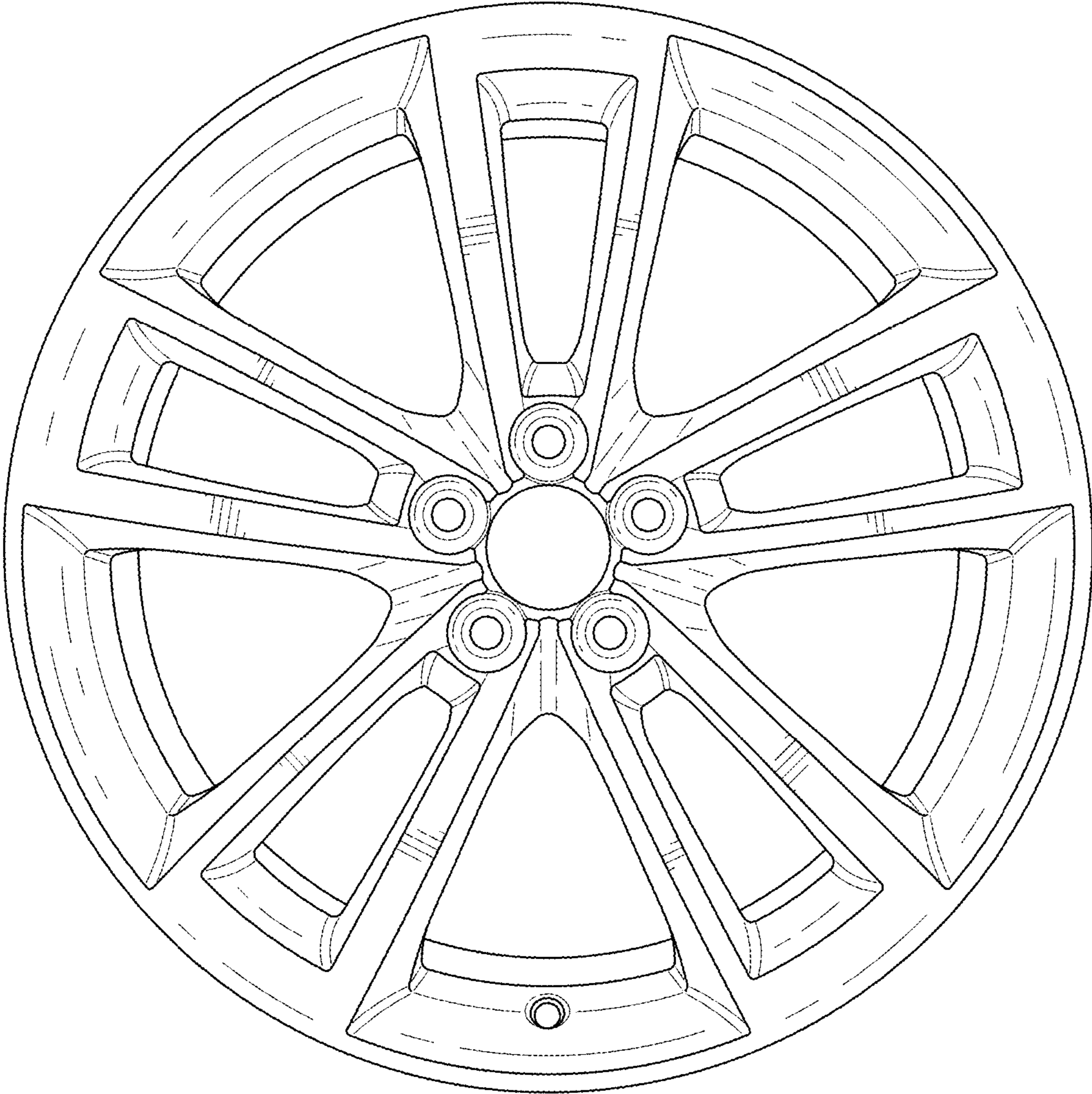


FIG. 1

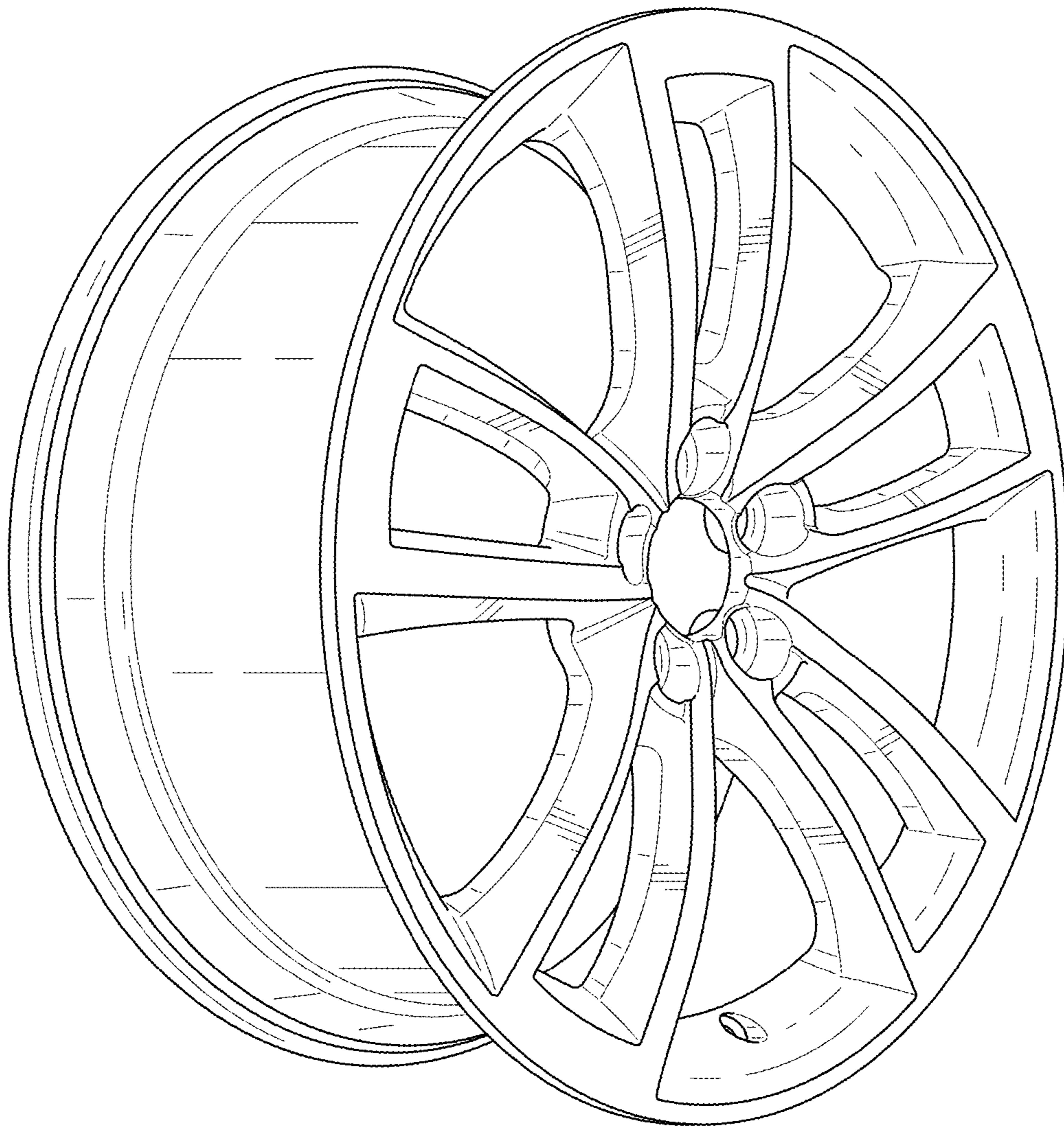


FIG. 2