



US00D777073S

(12) **United States Design Patent**
Chung

(10) **Patent No.:** **US D777,073 S**

(45) **Date of Patent:** **** Jan. 24, 2017**

(54) **VEHICLE WHEEL**

(71) Applicant: **Wheel Pros, LLC**, Greenwood Village,
CO (US)

(72) Inventor: **Suny Chung**, Anaheim, CA (US)

(73) Assignee: **Wheel Pro, LLC**

(**) Term: **14 Years**

(21) Appl. No.: **29/509,078**

(22) Filed: **Nov. 13, 2014**

(51) **LOC (10) Cl.** **12-16**

(52) **U.S. Cl.**
USPC **D12/211**

(58) **Field of Classification Search**
USPC D12/204-213
CPC B60B 7/00; B60B 7/02; B60B 7/04;
B60B 7/01; B60B 7/06; B60B 3/02; B60B
3/04; B60B 3/06; B60B 3/10; B60B 1/00;
B60B 1/08; B60B 1/10; B60B 1/12
See application file for complete search history.

(56) **References Cited**

U.S. PATENT DOCUMENTS

D215,928 S * 11/1969 Porsche D12/211
D221,934 S * 9/1971 Main D12/209
D267,562 S * 1/1983 Palmer D12/211

D268,261 S * 3/1983 Boyer D12/211
D271,760 S * 12/1983 Zimmermann D12/209
D288,313 S * 2/1987 Sandberg D12/211
D295,509 S * 5/1988 Boyer D12/211
D305,634 S * 1/1990 Boyer D12/209
D307,737 S * 5/1990 Boyer D12/209
D324,200 S * 2/1992 Lorinser D12/211
D454,827 S * 3/2002 Pfeiffer D12/211
D658,106 S * 4/2012 Thurner D12/211
D658,562 S * 5/2012 Junghanns D12/211

* cited by examiner

Primary Examiner — Stacia Cadmus

(74) *Attorney, Agent, or Firm* — K C Bean, Esq.

(57) **CLAIM**

The ornamental design for a vehicle wheel, as shown and described.

DESCRIPTION

FIG. 1 is a front perspective view of the vehicle wheel showing the new design.

FIG. 2 is the front view thereof.

FIG. 3 is the back view thereof.

FIG. 4 is the right side view thereof.

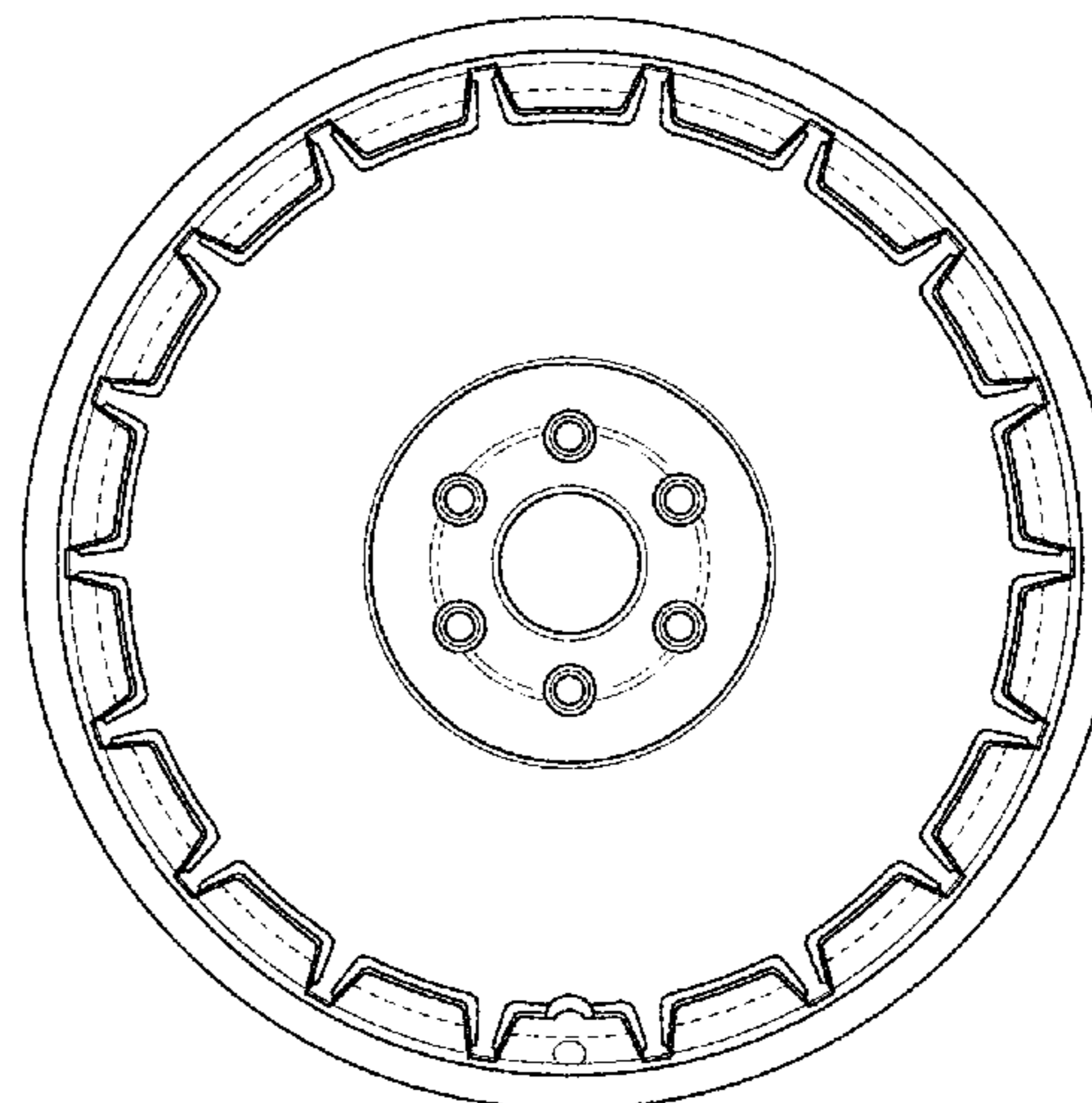
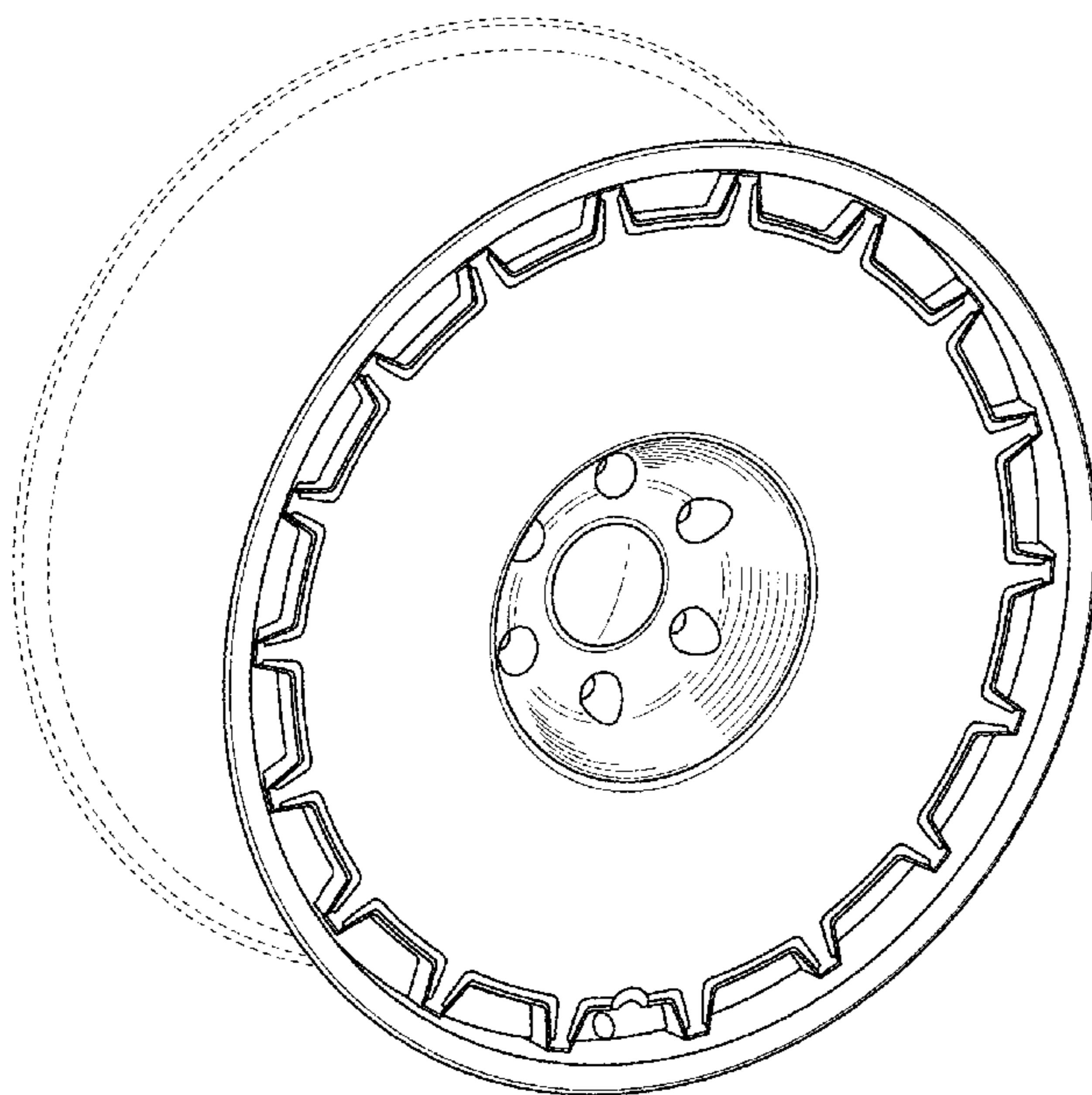
FIG. 5 is the left side view thereof.

FIG. 6 is the top side view thereof; and,

FIG. 7 is the bottom side view thereof.

In the drawings, the broken lines depict environmental subject matter only and form no part of the claimed design.

1 Claim, 3 Drawing Sheets



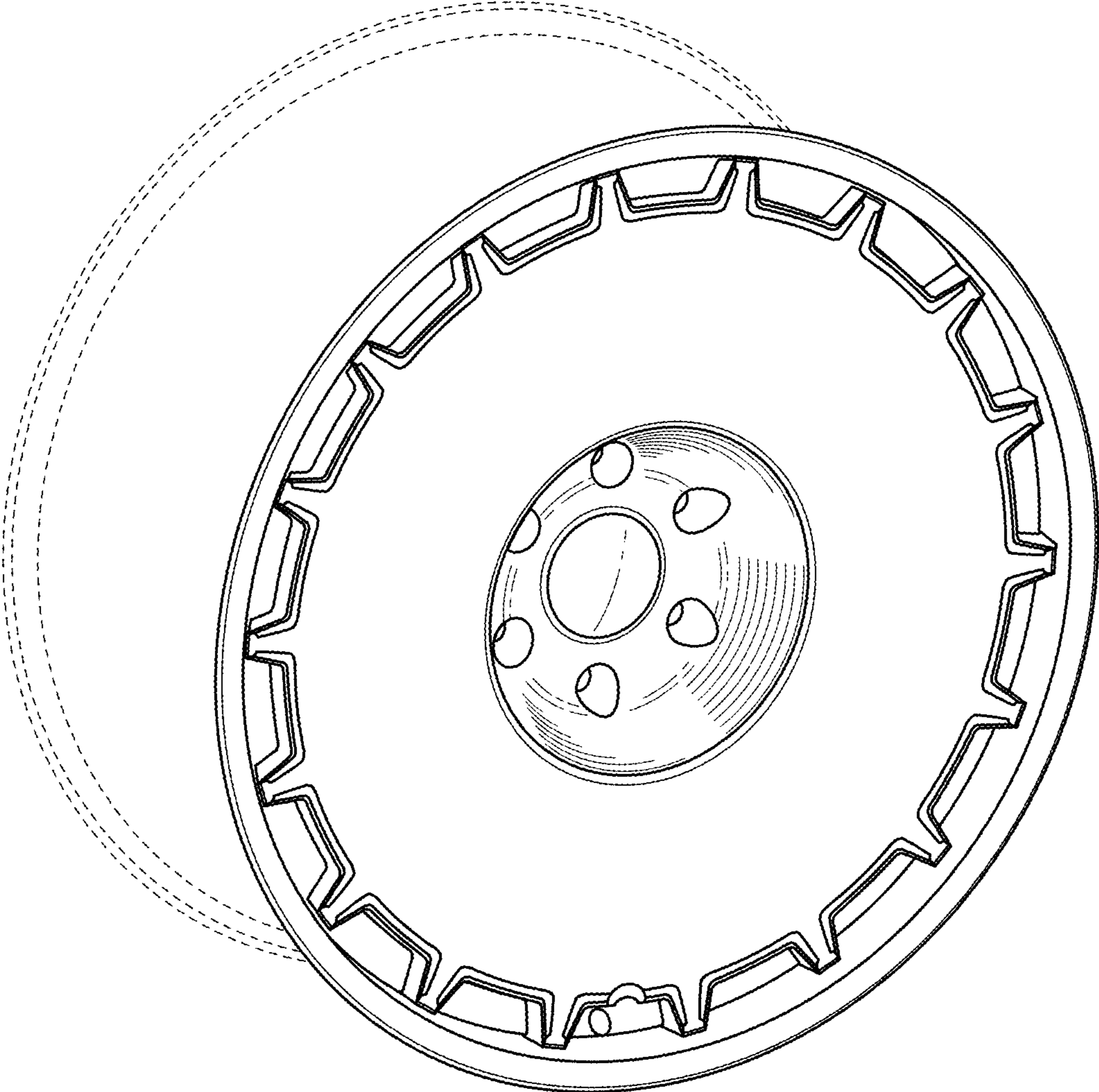


FIG. 1

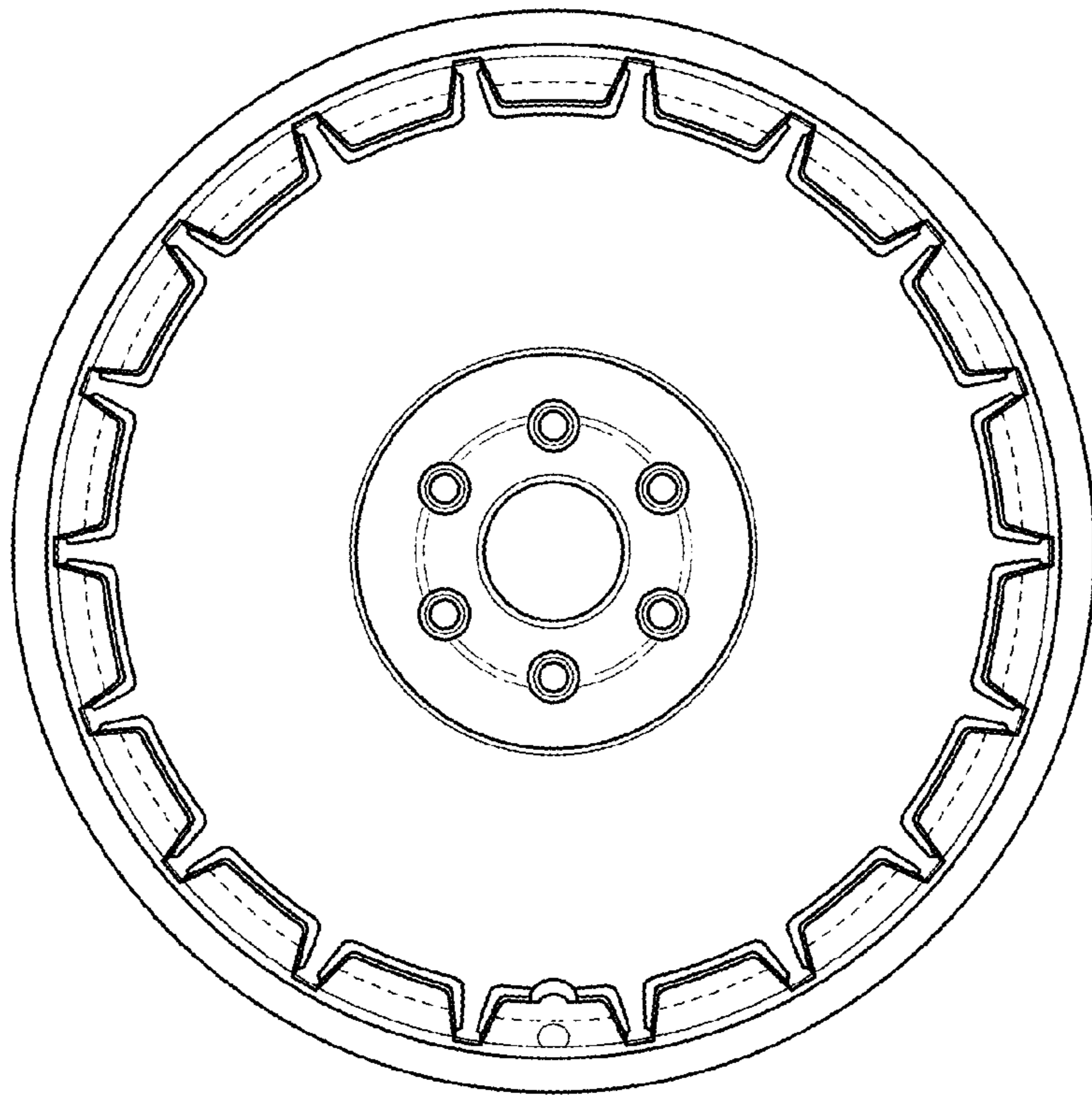


FIG. 2

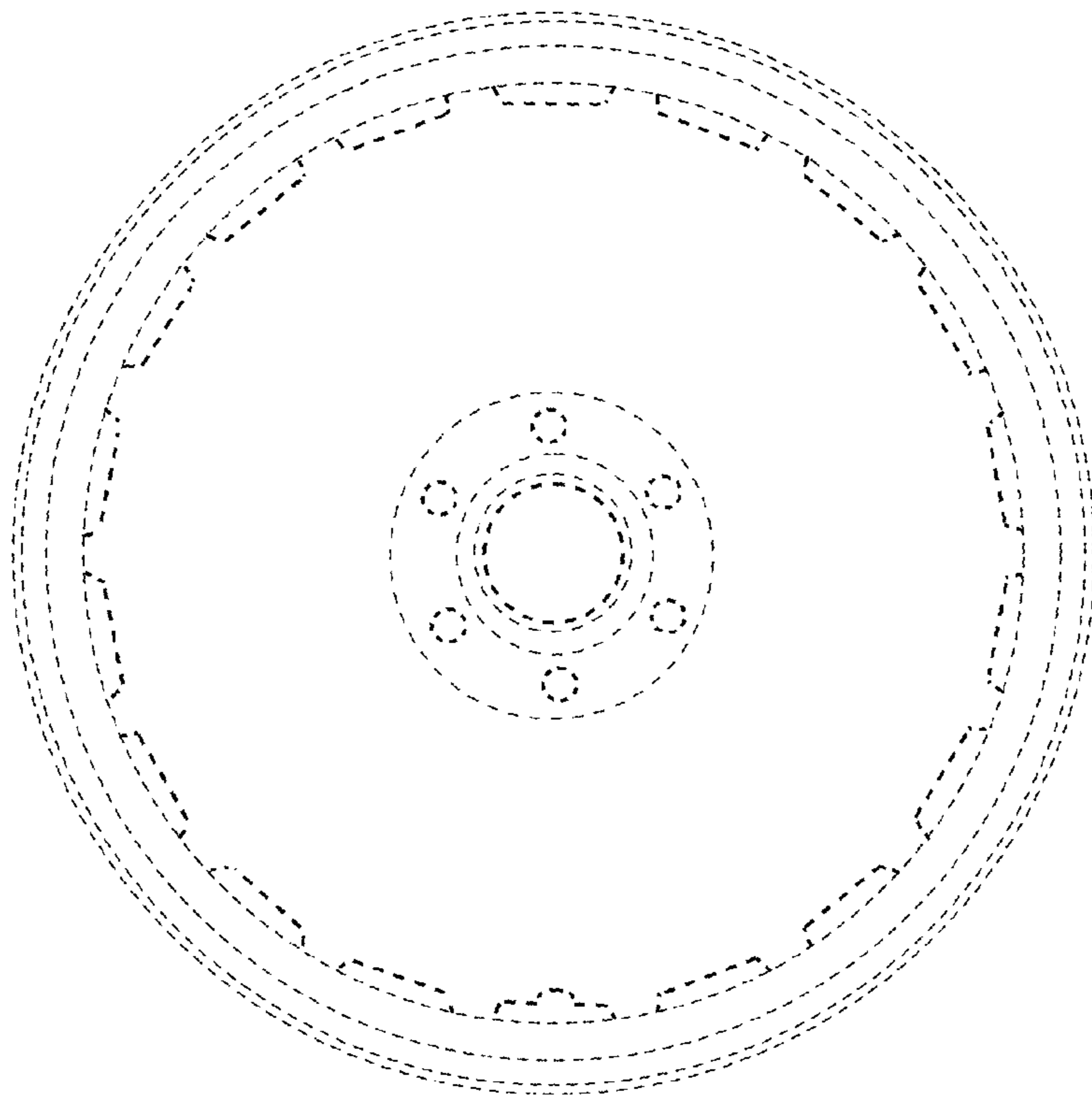


FIG. 3

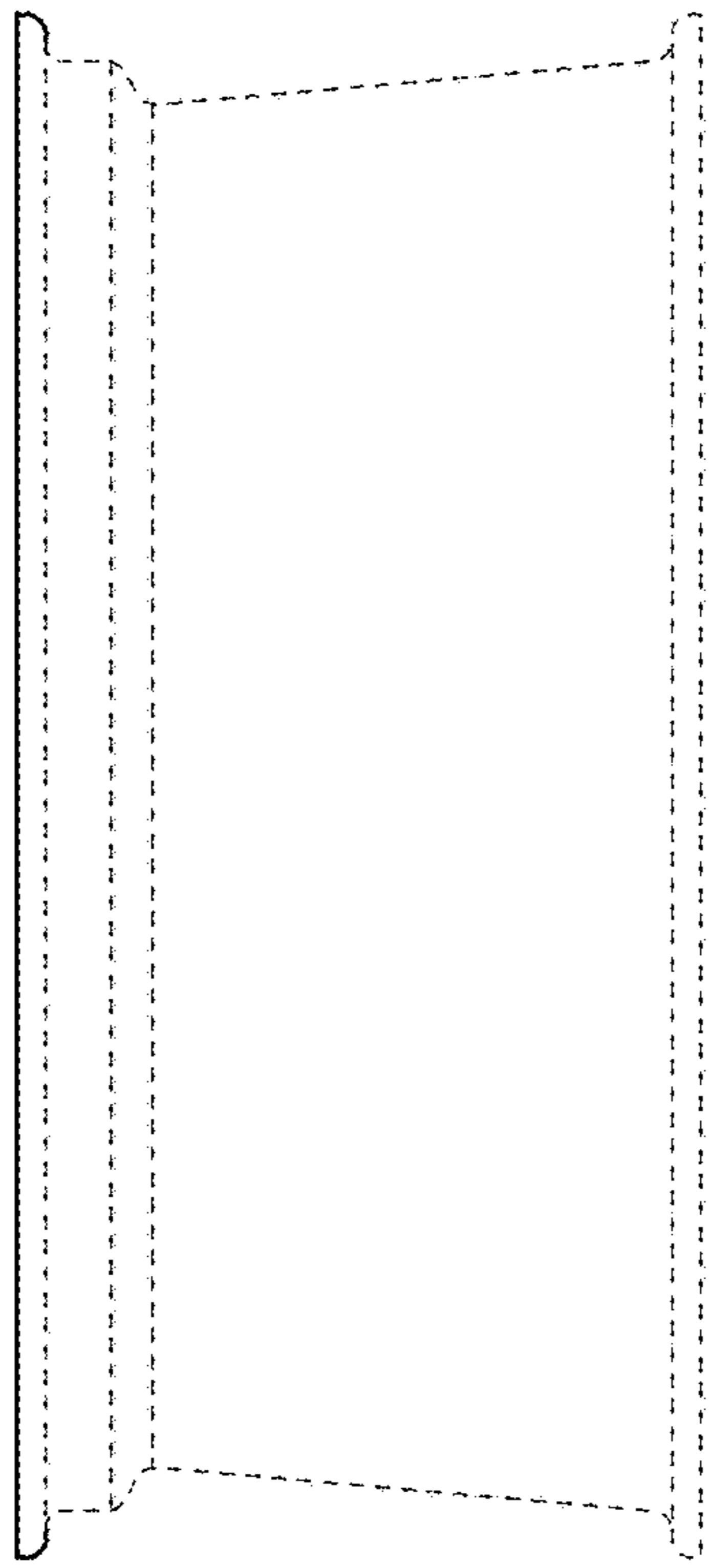


FIG. 4

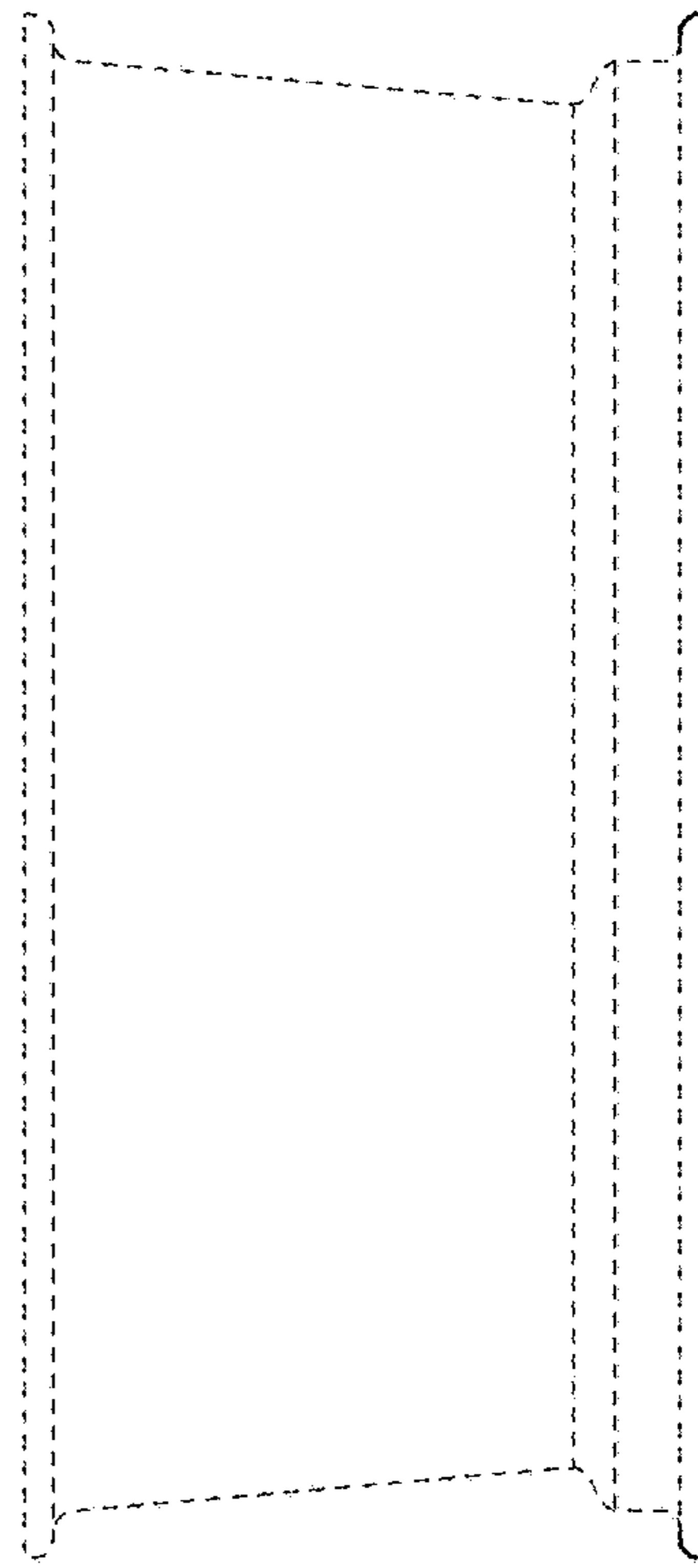


FIG. 5

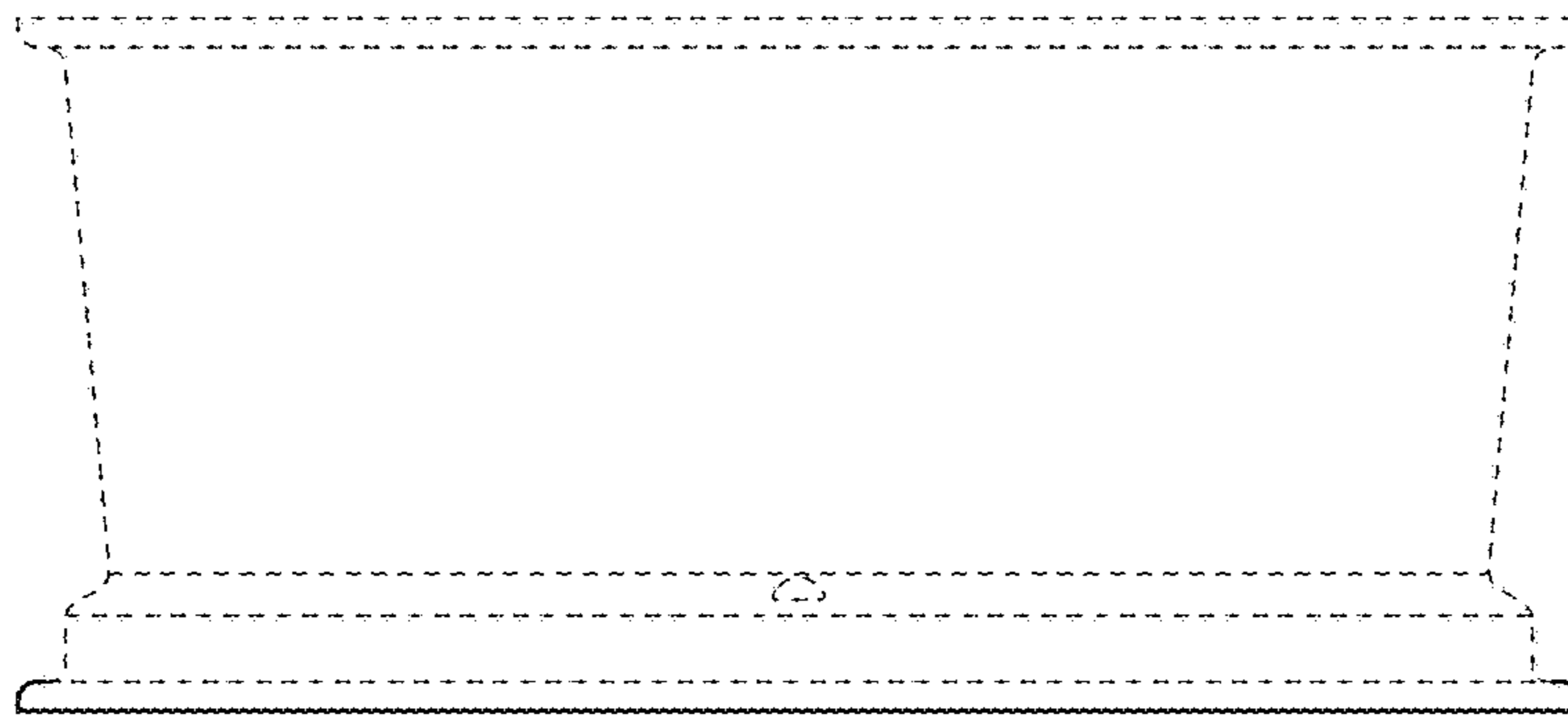


FIG. 6

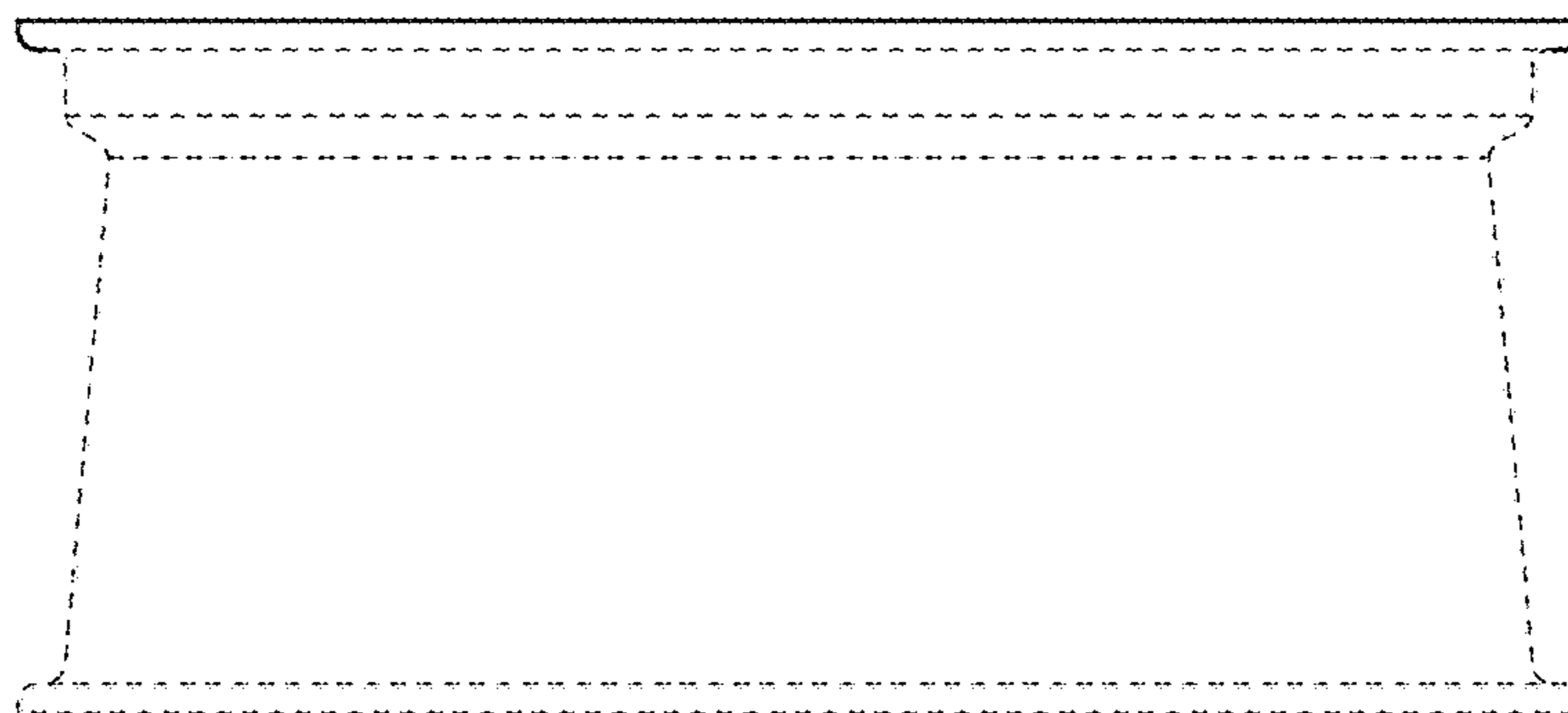


FIG. 7