



US00D777070S

(12) **United States Design Patent**
Nurnberger

(10) **Patent No.:** **US D777,070 S**
(45) **Date of Patent:** **** Jan. 24, 2017**

- (54) **PAIR OF SIDE VENTS FOR AN AUTOMOBILE OR THE LIKE**
- (71) Applicant: **Aston Martin Lagonda Limited**, Gaydon (GB)
- (72) Inventor: **Miles Nurnberger**, Gaydon (GB)
- (73) Assignee: **ASTON MARTIN LAGONDA LIMITED**, Gaydon (GB)
- (**) Term: **14 Years**
- (21) Appl. No.: **29/499,204**
- (22) Filed: **Aug. 12, 2014**
- (30) **Foreign Application Priority Data**

Feb. 14, 2014 (EP) 002405597-0001
 Feb. 14, 2014 (EP) 002405597-0002
 Feb. 14, 2014 (EP) 002405597-0003

- (51) **LOC (10) Cl.** **12-16**
- (52) **U.S. Cl.**
USPC **D12/196**; D12/181; D12/190
- (58) **Field of Classification Search**
USPC D12/88, 90, 91, 92, 96, 97, 181, 190,
D12/191, 196, 400; 296/180.1, 180.2,
296/180.3, 181.1, 181.2, 181.3, 181.4,
296/181.5; 280/848; D23/327, 393
(Continued)

(56) **References Cited**

U.S. PATENT DOCUMENTS

D150,717 S * 8/1948 Knight D12/190
 4,917,203 A 4/1990 Sacco et al.
 (Continued)

FOREIGN PATENT DOCUMENTS

DE 2727517 A1 12/1978
 DE 4321969 A1 2/1994
 (Continued)

OTHER PUBLICATIONS

“2012 Aston Martin Virage”. Found online Jan. 20, 2016 at autoblog.com. Page dated Mar. 21, 2012. Retrieved from <http://www.autoblog.com/2012/03/21/2012-aston-martin-virage-review-road-test/>.*

(Continued)

Primary Examiner — Robert M Spear
Assistant Examiner — Kendra L Hamilton
 (74) *Attorney, Agent, or Firm* — Dorsey & Whitney LLP

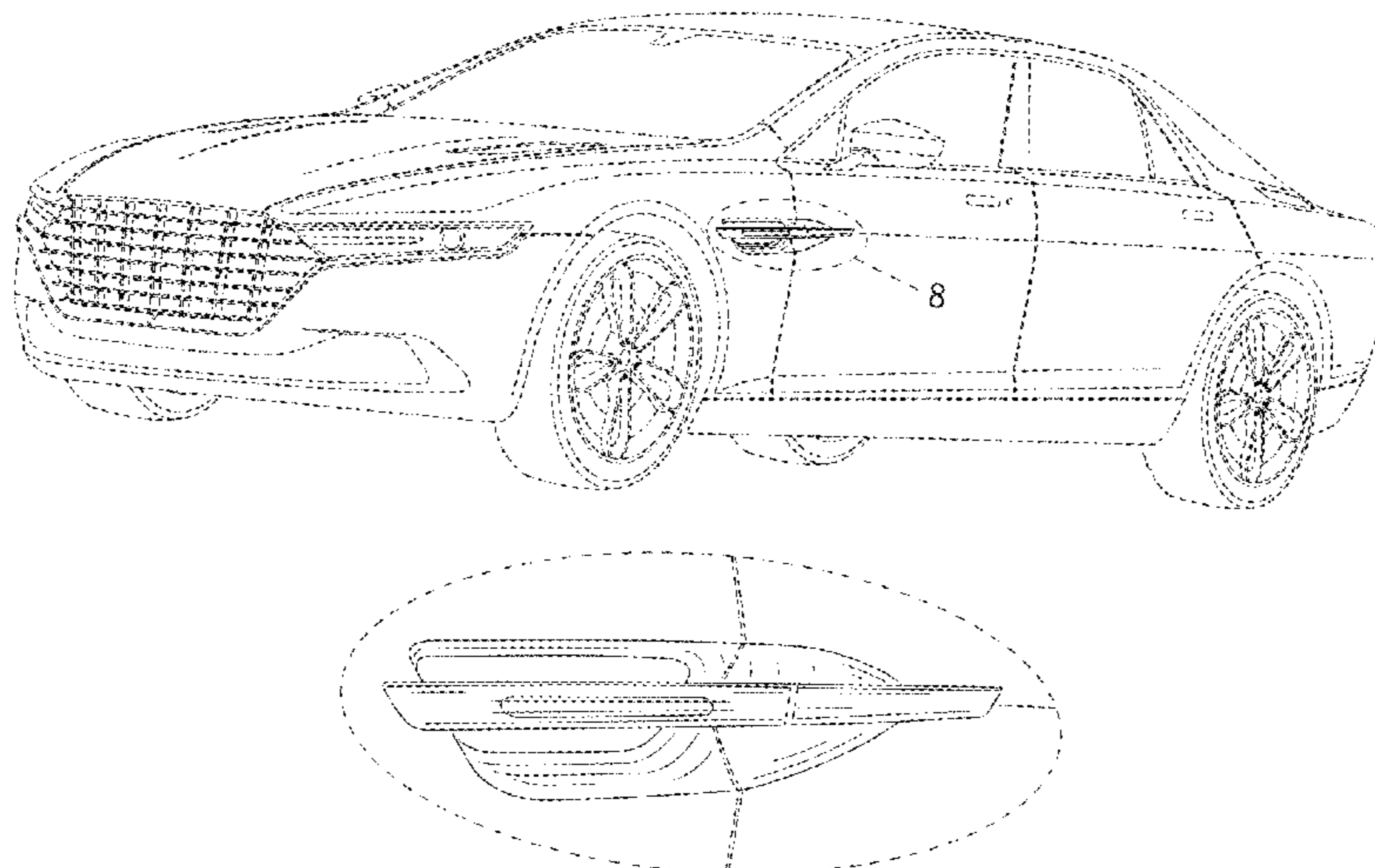
(57) **CLAIM**

The ornamental design for a pair of side vents for an automobile or the like, as shown and described.

DESCRIPTION

FIG. 1 is a front perspective view of a pair of side vents for an automobile or the like showing the claimed design in association with an automobile;
 FIG. 2 is a rear perspective view thereof;
 FIG. 3 is a front elevation view thereof;
 FIG. 4 is a rear elevation view thereof;
 FIG. 5 is a right side elevation view thereof, the left side elevation view being a mirror image of the right side elevation view;
 FIG. 6 is a top plan view thereof;
 FIG. 7 is a bottom plan view thereof;
 FIG. 8 is an enlarged view of the area 8 circumscribed in FIG. 1;
 FIG. 9 is an enlarged view of the area 9 circumscribed in FIG. 2; and,
 FIG. 10 is an enlarged view of the area 10 circumscribed in FIG. 5.
 The broken lines illustrate environmental structure of a pair of side vents for an automobile or the like that forms no part of the claimed design.

1 Claim, 6 Drawing Sheets



(58) **Field of Classification Search**

CPC B60H 1/265
See application file for complete search history.

FOREIGN PATENT DOCUMENTS

EM	000212923-0001	A1	10/2004
EM	000212923-0002	A1	10/2004
EM	001067839-0001		1/2009
EM	001650052-0001		12/2009
EM	001674631-0001		2/2010
EM	001674631-0002		2/2010
EM	001674631-0003		2/2010
EM	001674631-0005		2/2010
EM	001999848-0001		2/2012
EM	001999848-0003		2/2012
EM	002033621-0001		4/2012
EM	002033621-0003		4/2012
EM	002033621-0005		4/2012
EM	002033621-0006		4/2012
EM	002047977-0002		5/2012
EM	002171488-0001		1/2013
EP	0896892	A1	2/1999
EP	0906863	A2	4/1999
EP	2476603	A2	7/2012
GB	2327912	A	2/1999
GB	3013456		7/2003
GB	2396881	A	7/2004
GB	3024223		4/2006
JP	D1400694		10/2010
JP	D1444677		5/2012
WO	02/12028		2/2002

(56) **References Cited**

U.S. PATENT DOCUMENTS

4,944,540	A	7/1990	Mansoor et al.	
D334,977	S	4/1993	Avari	
5,205,597	A	4/1993	Chase	
RE34,907	E	4/1995	Gross	
5,403,048	A	4/1995	Ekladyous et al.	
5,478,127	A	12/1995	Chase	
5,482,336	A	1/1996	Rouse et al.	
5,503,444	A	4/1996	Rouse et al.	
D395,027	S	6/1998	Wittine	
5,880,394	A	3/1999	Kim	
D415,081	S	10/1999	Wittine	
D431,505	S	10/2000	Kitamura et al.	
6,206,438	B1	3/2001	Pueyo	
D447,983	S	9/2001	Stoddard et al.	
D456,313	S	4/2002	Walling et al.	
6,405,819	B1	6/2002	Ohkura et al.	
D475,662	S	6/2003	Koizumi et al.	
6,702,343	B1	3/2004	Stull	
D497,860	S *	11/2004	Hoelzel	D12/196
6,921,117	B2	7/2005	Rackham et al.	
D510,302	S	10/2005	Sugimoto	
D511,730	S *	11/2005	Rowland	D12/190
D553,544	S	10/2007	Rothman et al.	
D557,184	S	12/2007	Janik	
D557,641	S	12/2007	Davidson	
D566,022	S *	4/2008	Johnson	D12/190
D573,510	S	7/2008	Pininfarina	
D584,198	S	1/2009	Tamura	
D584,998	S	1/2009	Lamm et al.	
D585,340	S	1/2009	Sinkwitz	
D586,273	S *	2/2009	Hamburger	D12/181
D589,405	S	3/2009	Corradi	
D589,853	S	4/2009	Saridakis et al.	
D592,564	S	5/2009	Kusamoto et al.	
D600,181	S *	9/2009	Larson	D12/181
D607,390	S *	1/2010	Krauss	D12/190
D620,396	S	7/2010	Reichman et al.	
D626,465	S	11/2010	Thomas et al.	
D628,942	S	12/2010	Kim	
D629,718	S	12/2010	Reichman et al.	
D629,719	S	12/2010	Reichman et al.	
D629,725	S	12/2010	Reichman et al.	
D630,140	S	1/2011	Reichman et al.	
D631,806	S *	2/2011	Schneider	D12/190
D635,065	S	3/2011	Seo	
D651,142	S	12/2011	Fushimi	
D659,059	S *	5/2012	Elmitt	D12/190
D664,475	S	7/2012	Takahashi	
D665,313	S	8/2012	Asakura	
D668,590	S	10/2012	Furst et al.	
D668,596	S *	10/2012	Leahy	D12/190
D670,203	S	11/2012	Weil	
D670,620	S	11/2012	Frei et al.	
D687,348	S	8/2013	Nurnberger	
D691,517	S	10/2013	Kwon et al.	
D692,348	S	10/2013	Whelan	
D696,978	S	1/2014	Perini	
D699,766	S *	2/2014	Ryan	D15/31
D701,147	S	3/2014	Saracoglu	
D704,101	S	5/2014	Beaven	
D704,102	S	5/2014	Nurnberger	
D704,601	S	5/2014	Nurnberger	
D717,222	S *	11/2014	Waterman	D12/190
D726,079	S	4/2015	Reichman et al.	
D727,804	S	4/2015	Nurnberger	
D730,777	S	6/2015	Nurnberger	
D739,789	S	9/2015	Payne	
D740,725	S	10/2015	Payne	
D741,768	S *	10/2015	Brzustowicz	D12/196

OTHER PUBLICATIONS

“Cars Wheels Design”. Found online Jan. 20, 2016 at wheelsdesigns.blogspot.com. Page dated Oct. 13, 2011. Retrieved from <http://wheelsdesigns.blogspot.com/2011/10/aston-martin-wheels.html>.*

Aston Martin 2013, “Aston Martin Centenary Celebration Programme,” 2013; 204 pages.

Aston Martin IDBS Brochure; Website[online]: <http://www.auto-brochures.com>, Jan. 27, 2012 [retrieved on Oct. 22, 2013]. Retrieved from the internet: <URL: http://www.auto-brochures.com/makes/Aston_Martin/dbs/Aston%20Martin_int%20DBS_1.pdf>; 62 pages.

Aston Martin DB9 Brochure; Website[online]: <http://www.auto-brochures.com>, Jan. 27, 2012 [retrieved on Oct. 22, 2013]. Retrieved from the internet: <URL: http://www.auto-brochures.com/makes/Aston_Martin/db9/Aston%20Martin_int%20DB9_1.pdf>; 41 pages.

2008 Aston Martin DB9 Grill & Front View Photo. Website[online]: <http://www.motortrend.com>, Jun. 12, 2008 [retrieved on Oct. 22, 2013]. Retrieved from the internet: <URL: http://www.motortrend.com/cars/2008/aston_martin/db9/photos/exterior/grill_front_view.html>; 1 page.

European Patent Office; PCT International Search Report mailed Nov. 21, 2001; PCT/GB01/03563; 3 pages.

European Patent Office; PCT International Preliminary Examination Report mailed Dec. 5, 2002; PCT/GB01/03563; 11 pages.

European Patent Office; PCT Written Opinion mailed Mar. 6, 2002; PCT/GB01/03563; 5 pages.

European Patent Office; PCT Written Opinion mailed Aug. 21, 2002; PCT/GB01/03563; 5 pages.

2003 Aston Martin DB7 Vantage, [online], [site visited Jan. 3, 2014], Available from Internet, <URL: <http://www.conceptcarz.com/view/photo/291097,6877/2003-Aston-Martin-DB7-Vantage.aspx>>, 2 pages.

2014 Aston Martin Rapide S, announced Dec. 30, 2013, [online], [site visited Jan. 3, 2014], Available from Internet, <URL: <http://www.astonmartin.com/en-us/cars/rapide-s>>, 35 pages.

2011 Aston Martin Rapide, [online article Feb. 4, 2010, [site visited Jan. 3, 2014], Available from Internet, <URL: http://www.roadandtrack.com/car-reviews/first-drives/photos-2011-aston-martin-rapide?click=main_sr#slide-1>, 6 pages.

Vijayenthiran, Viknesh. “Aston Martin Builds and Sells Two CC100 Speedsters: Report.” Motor Authority., Jul. 26, 2013 [online], [retrieved on Sep. 5, 2014]. Retrieved from the Internet <URL:

(56)

References Cited

OTHER PUBLICATIONS

http://www.motorauthority.com/news/1085797_aston-martin-builds-and-sells-two-cc1GO-speedsters-report>.

Carrion, Annette. "2014 Aston Martin Vanquish Volante Neiman Marcus . . ." European Car Web., Jun. 22, 2010 [online], [retrieved on Sep. 5, 2014]. Retrieved from the Internet <URL: http://www.europeancarweb.com/news/1311_2014_aston_martin_vanquish_volante_neiman_marcus_edition/photo_06.html>.

"2011 Aston Martin One-77." Electronic Brochure., Jun. 22, 2010 [online], [retrieved on Sep. 5, 2014]. Retrieved from the Internet <URL: http://www.auto-brochures.com/makes/Aston_Martin/one-77/Aston%20Martin_int%20ne-77.pdf>.

* cited by examiner

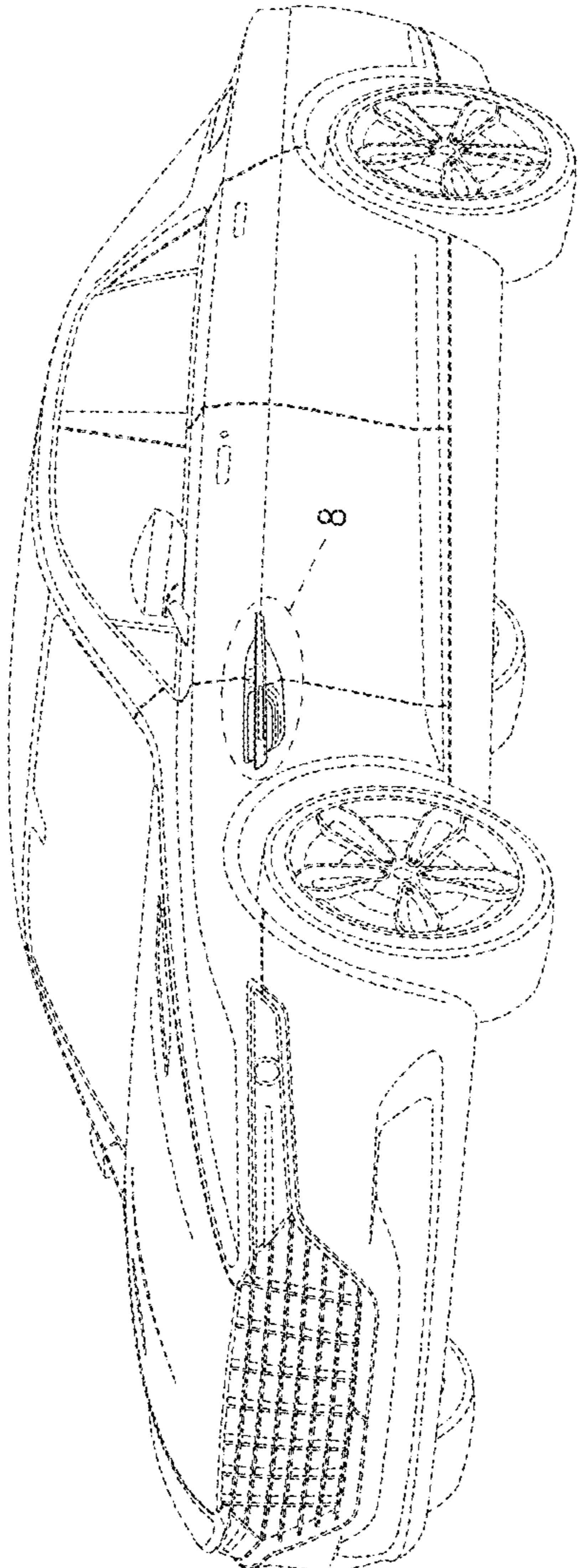


FIG. 1

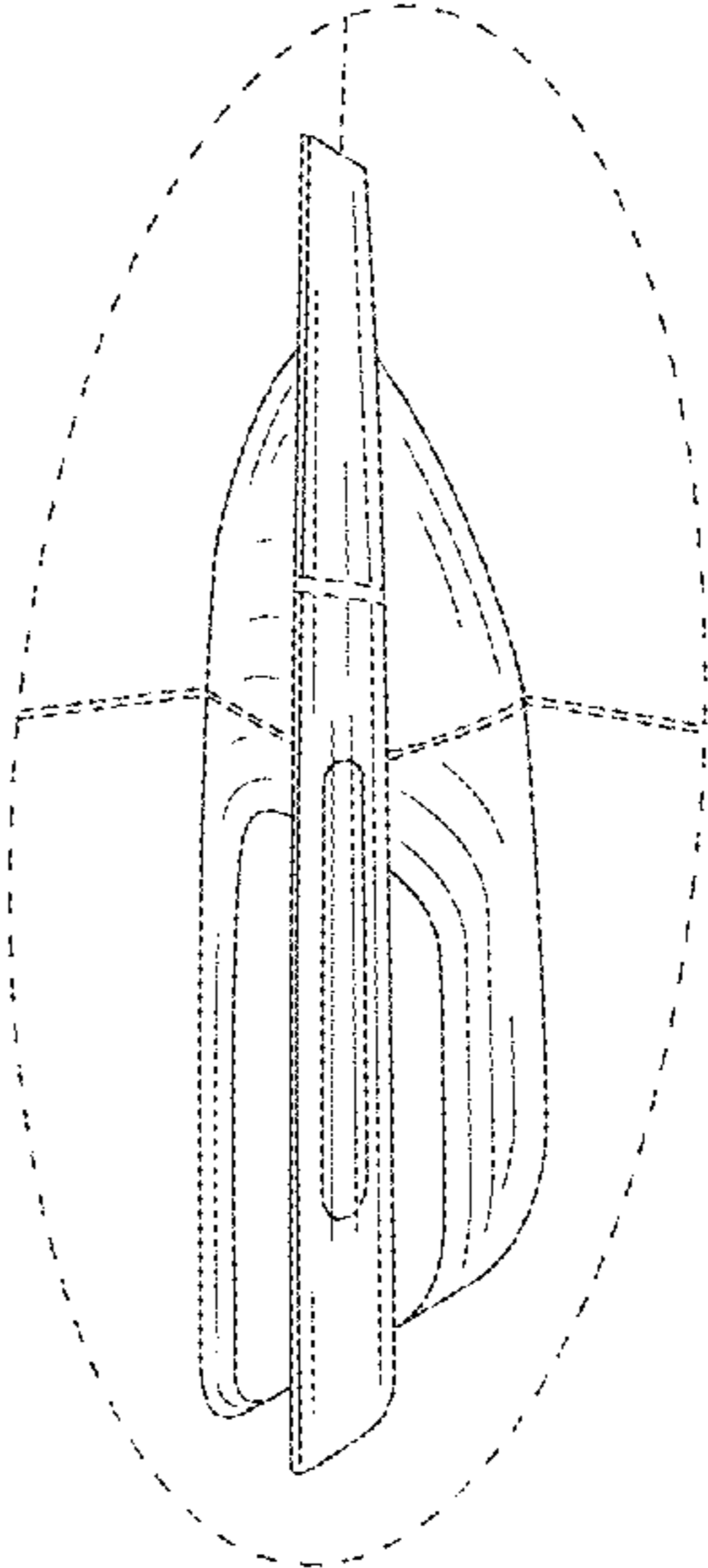


FIG. 8

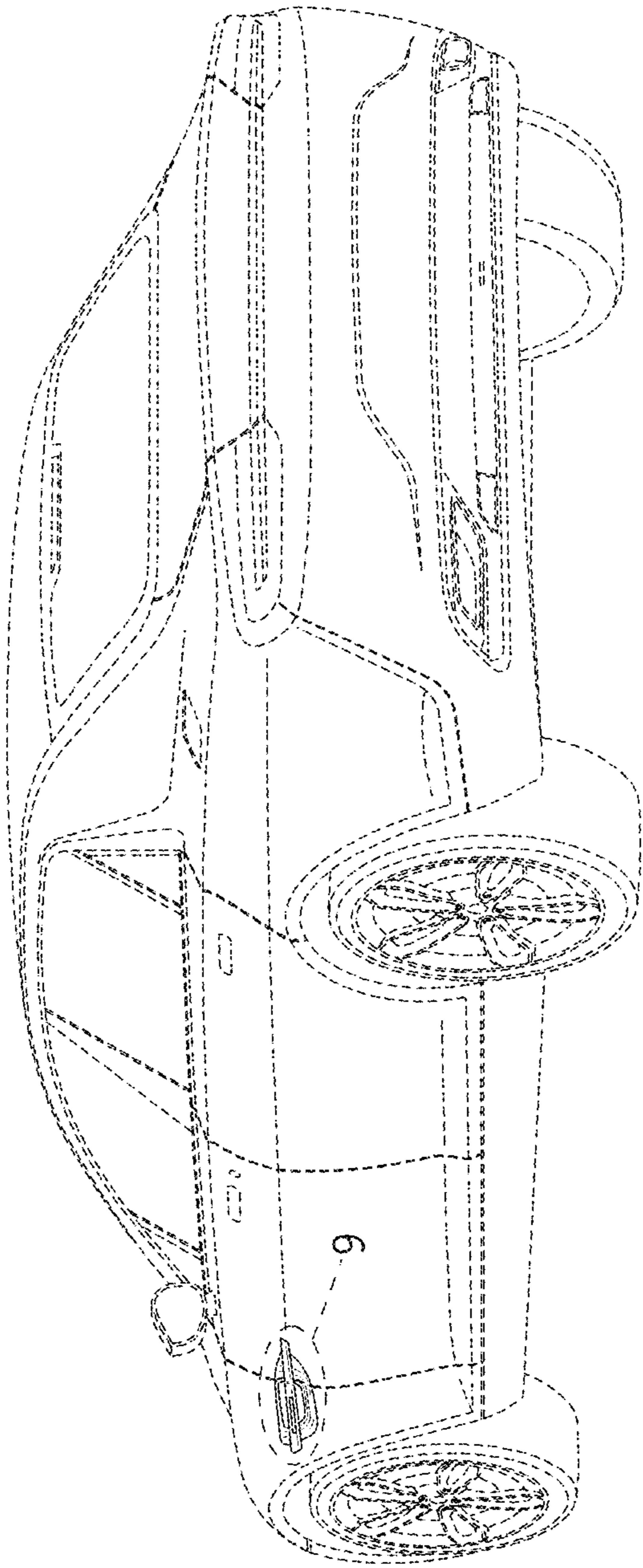


FIG. 2

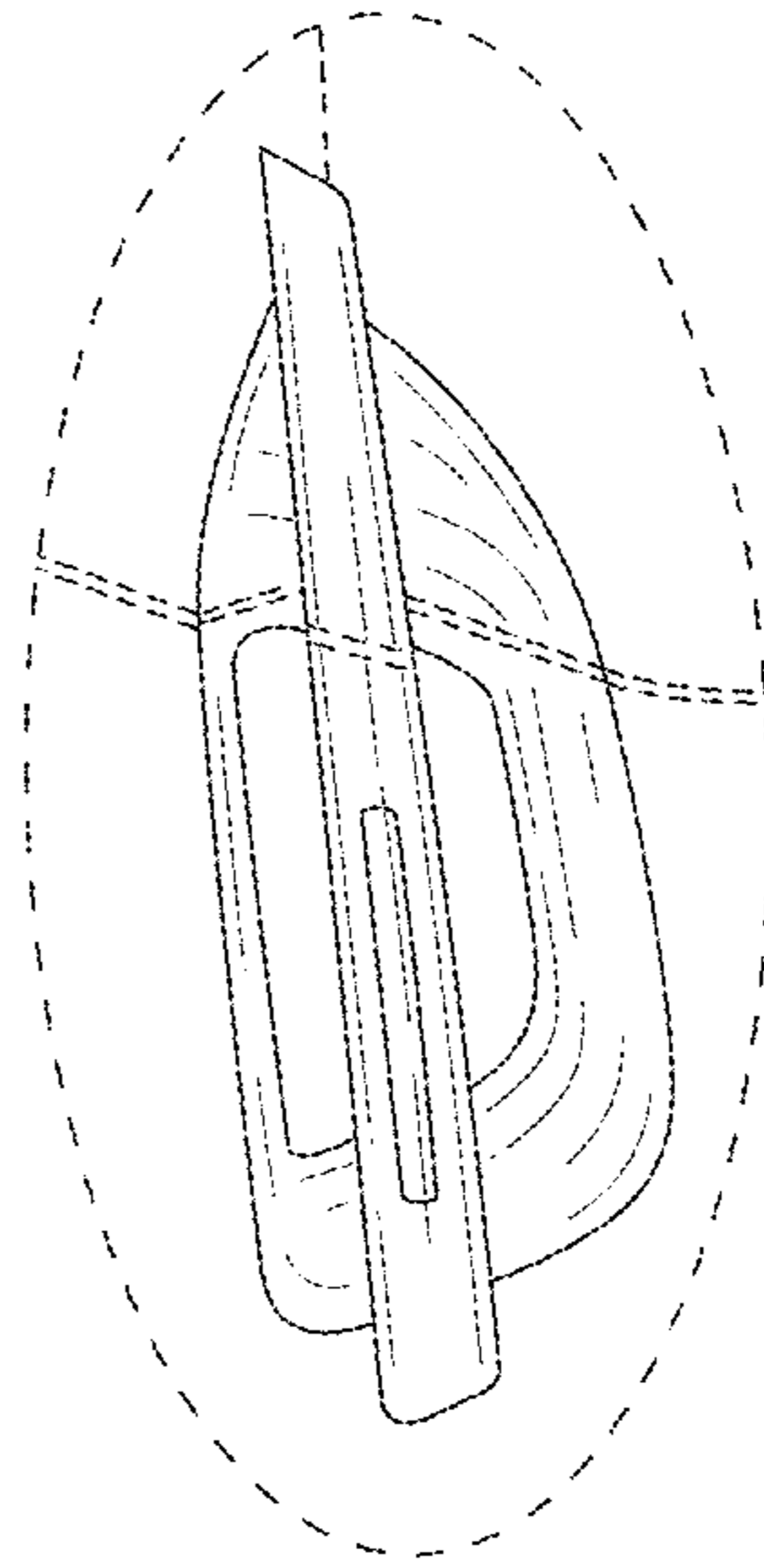


FIG. 9

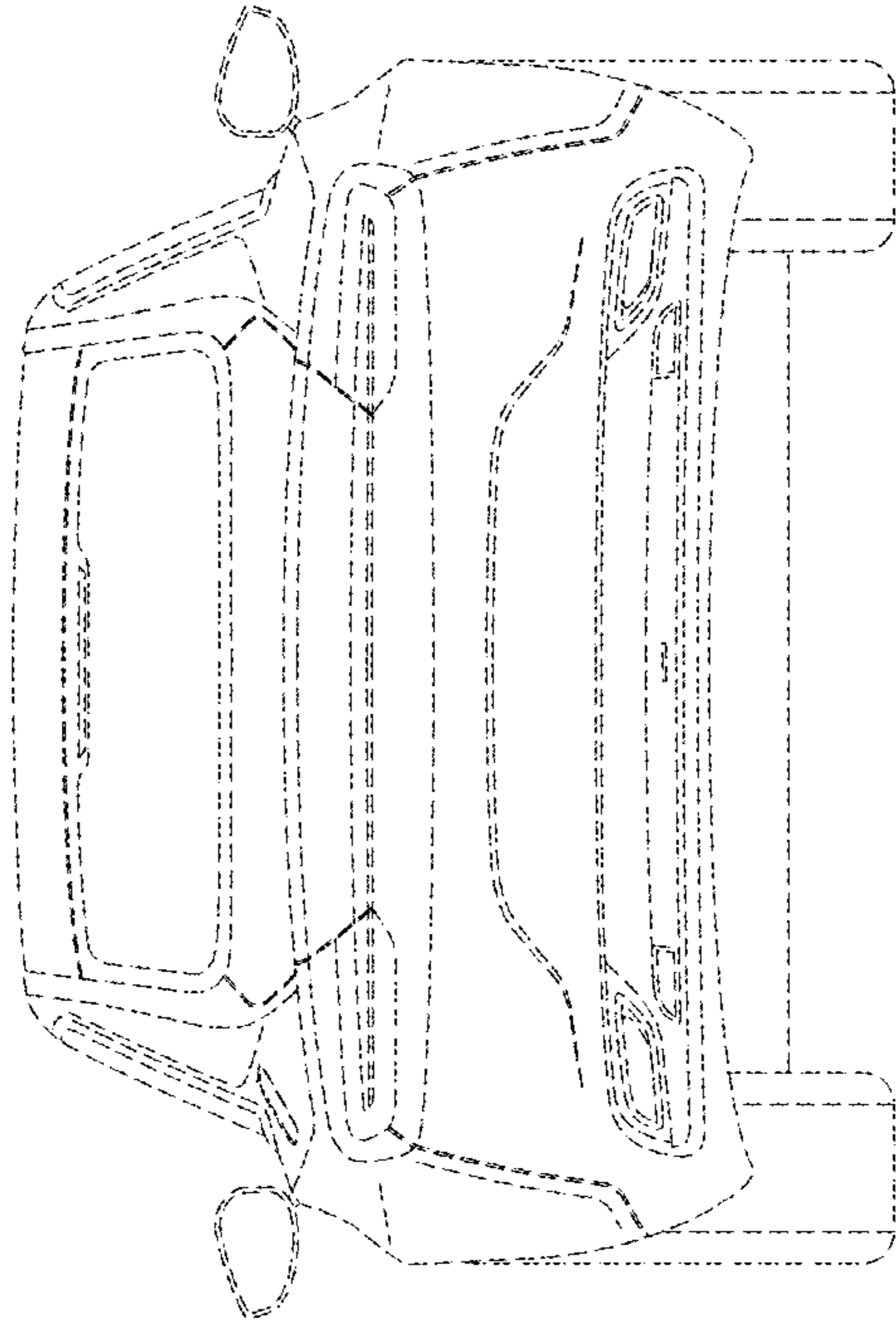


FIG. 4

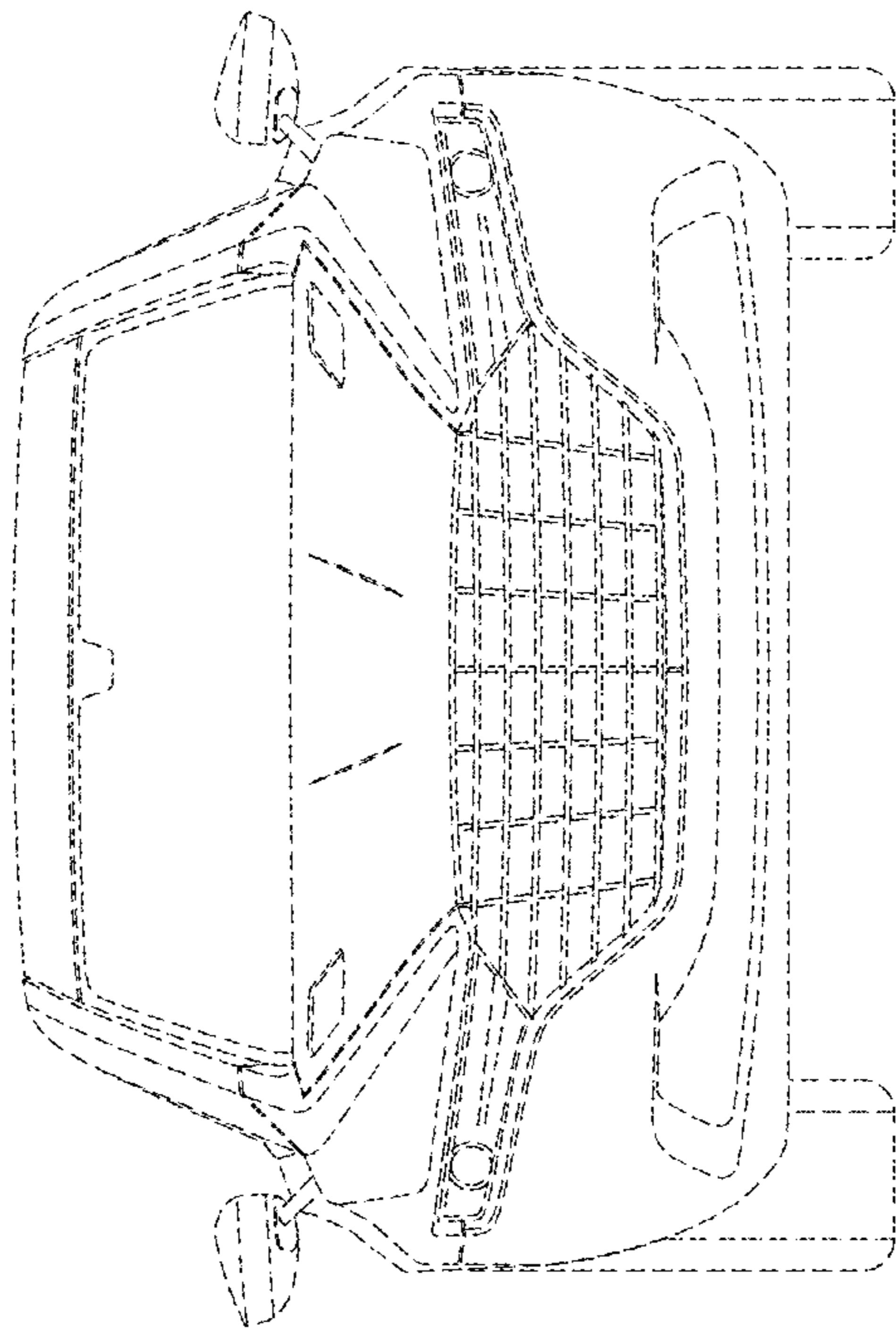


FIG. 3

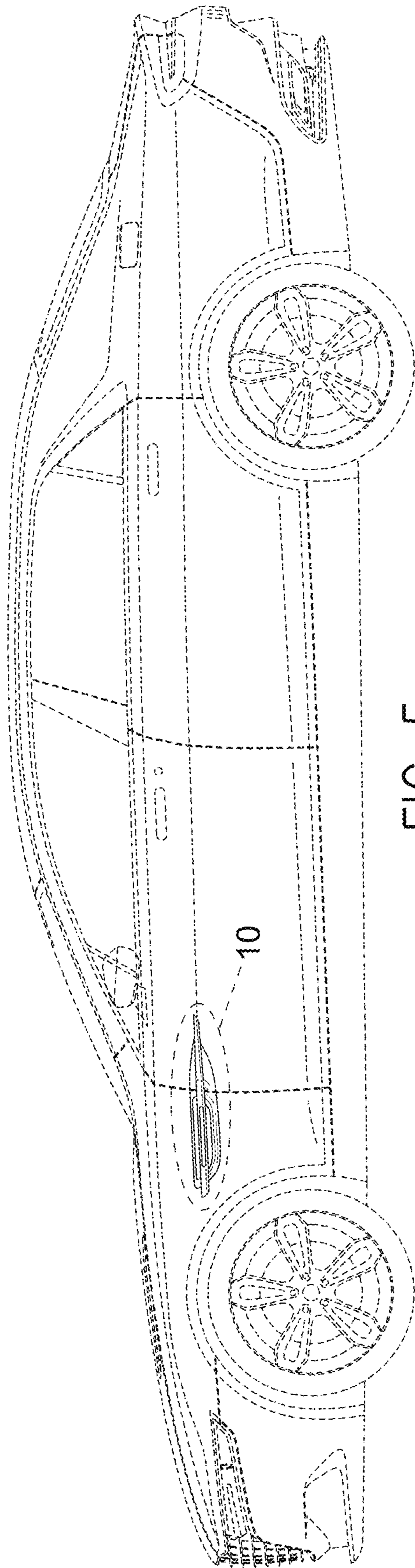


FIG. 5

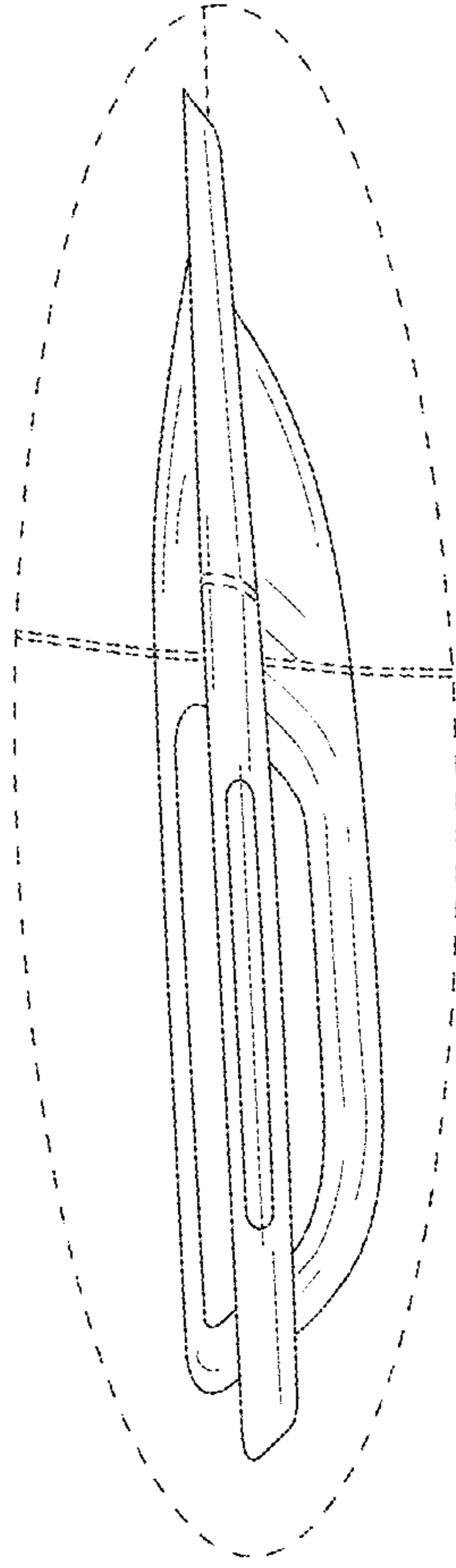


FIG. 10

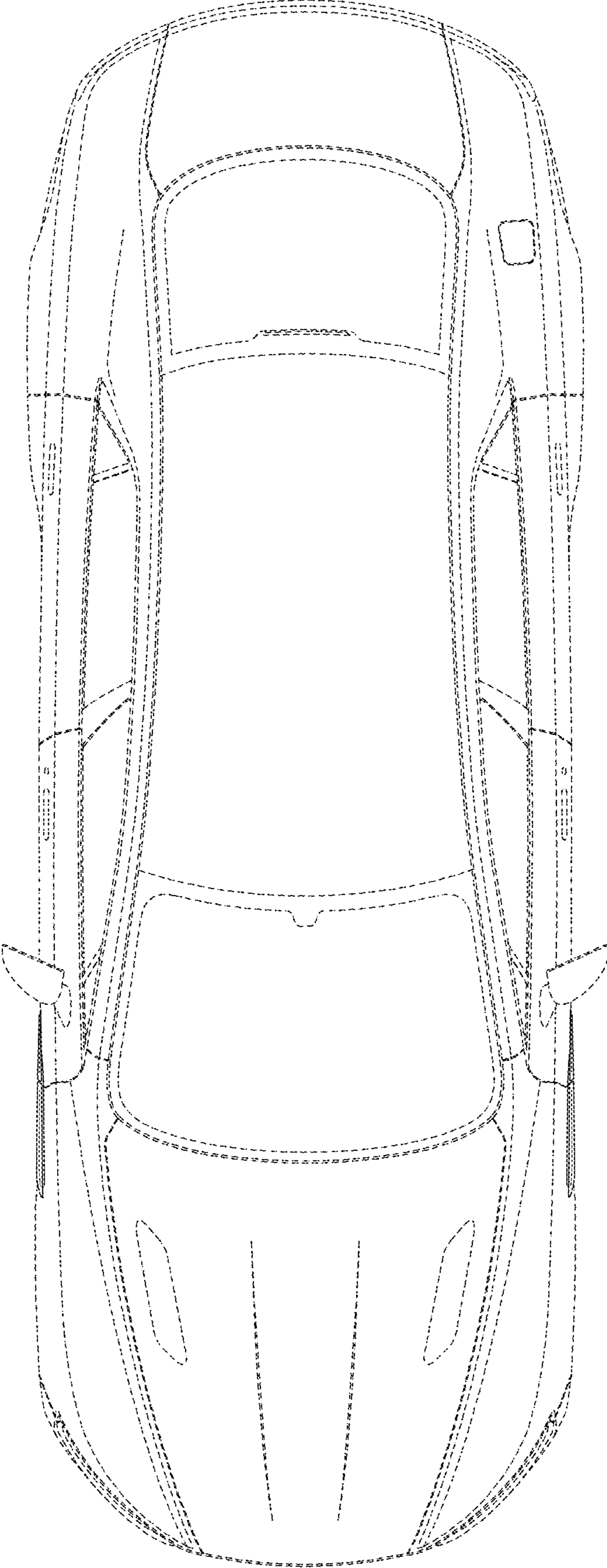


FIG. 6

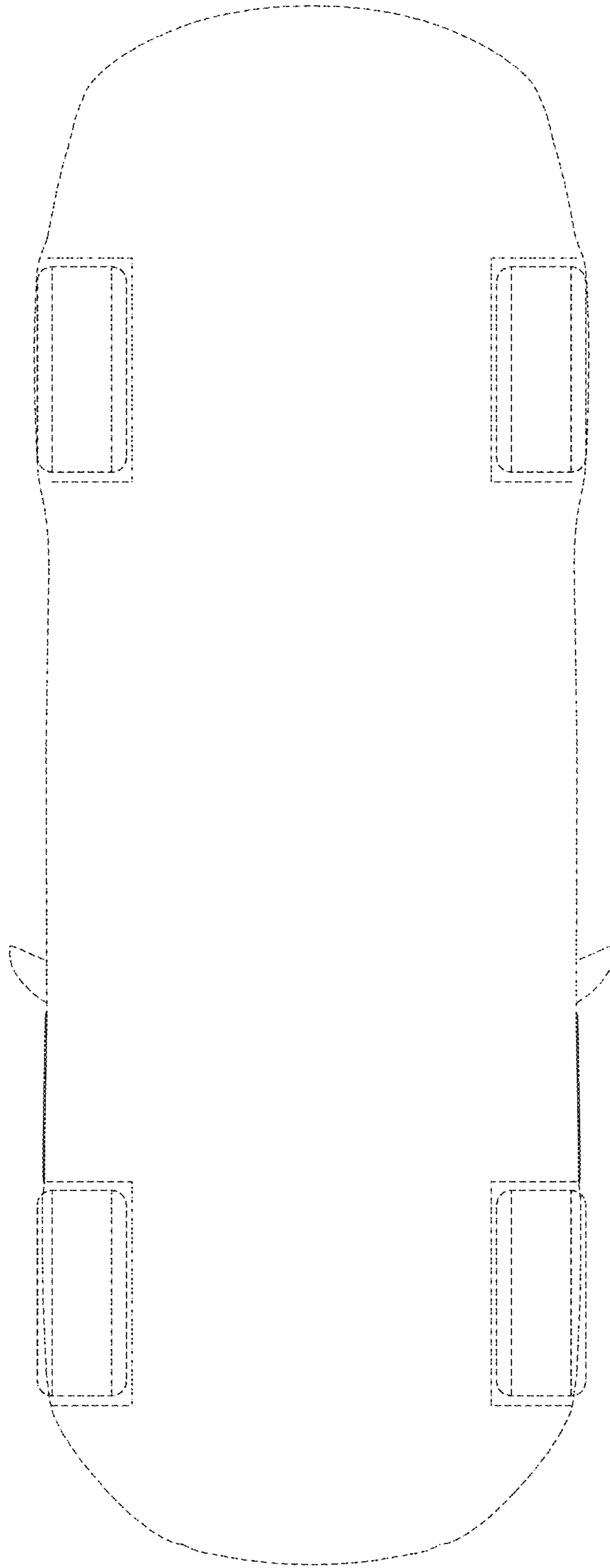


FIG. 7