



US00D777069S

(12) **United States Design Patent**
Ahn et al.

(10) **Patent No.:** **US D777,069 S**
(45) **Date of Patent:** **** Jan. 24, 2017**

- (54) **AUTOMOTIVE DISPLAY**
- (71) Applicant: **Google Inc.**, Mountain View, CA (US)
- (72) Inventors: **YooJung Ahn**, Mountain View, CA (US); **Peter Craig Lombrozo**, Santa Cruz, CA (US)
- (73) Assignee: **Google Inc.**, Mountain View, CA (US)
- (**) Term: **14 Years**
- (21) Appl. No.: **29/515,227**
- (22) Filed: **Jan. 21, 2015**

Related U.S. Application Data

- (62) Division of application No. 29/438,504, filed on Nov. 30, 2012, now Pat. No. Des. 724,511.
- (51) **LOC (10) Cl.** **12-16**
- (52) **U.S. Cl.**
USPC **D12/192**
- (58) **Field of Classification Search**
USPC D12/192, 415, 110, 114; D15/17, 28; D10/122-127
CPC ... G08G 1/096883; G01C 21/30; G01C 21/16; G01C 21/3688
See application file for complete search history.

(56) **References Cited**

U.S. PATENT DOCUMENTS

- D697,862 S 1/2014 Nemeth et al.
- D706,188 S 6/2014 Bachorski et al.

- D710,399 S 8/2014 Oeder et al.
- D713,400 S 9/2014 Kanou
- D713,839 S 9/2014 Endo et al.
- D744,920 S * 12/2015 Weng D12/192
- D746,615 S * 1/2016 Teeters, II D12/192
- D758,266 S * 6/2016 Ichikawa D12/192
- D762,153 S * 7/2016 Inagaki D12/192

* cited by examiner

Primary Examiner — Katrina A Betton

(74) *Attorney, Agent, or Firm* — Lerner, David, Littenberg, Krumholz & Mentlik, LLP

(57) **CLAIM**

The ornamental design for an automotive display, as shown and described.

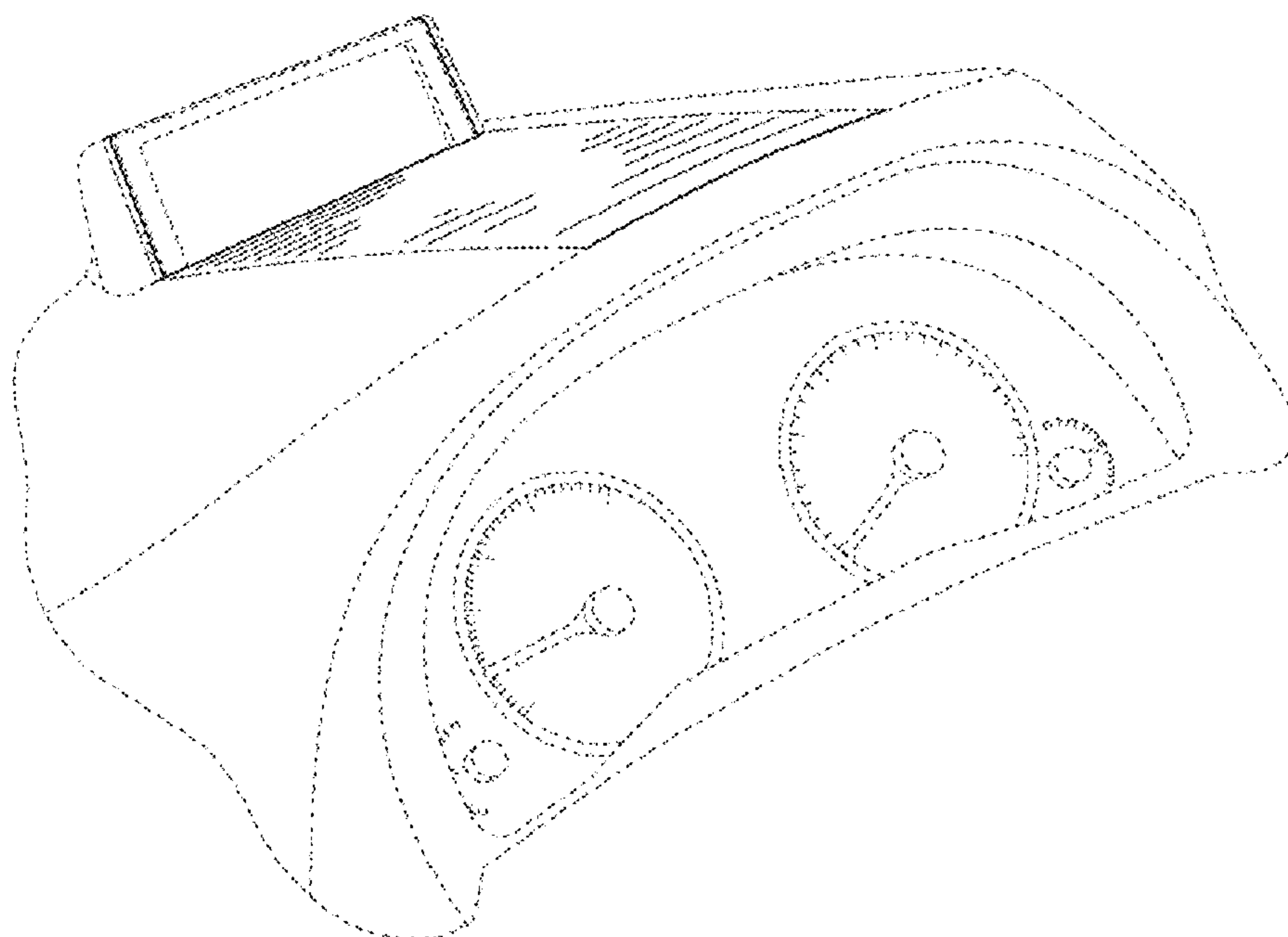
DESCRIPTION

FIG. 1 is a front perspective view of an automotive display according to our design;
FIG. 2 is a front elevation view thereof;
FIG. 3 is a rear elevation view thereof;
FIG. 4 is a right side elevation view thereof;
FIG. 5 is a left side elevation view thereof;
FIG. 6 is a top view thereof; and,
FIG. 7 is a bottom view thereof.

The features shown in broken lines are environmental only and form no part of the claimed design.

Dash-dot lines adjacent un-shaded areas represent bounds of the claimed design and themselves form no part of the claimed design.

1 Claim, 4 Drawing Sheets



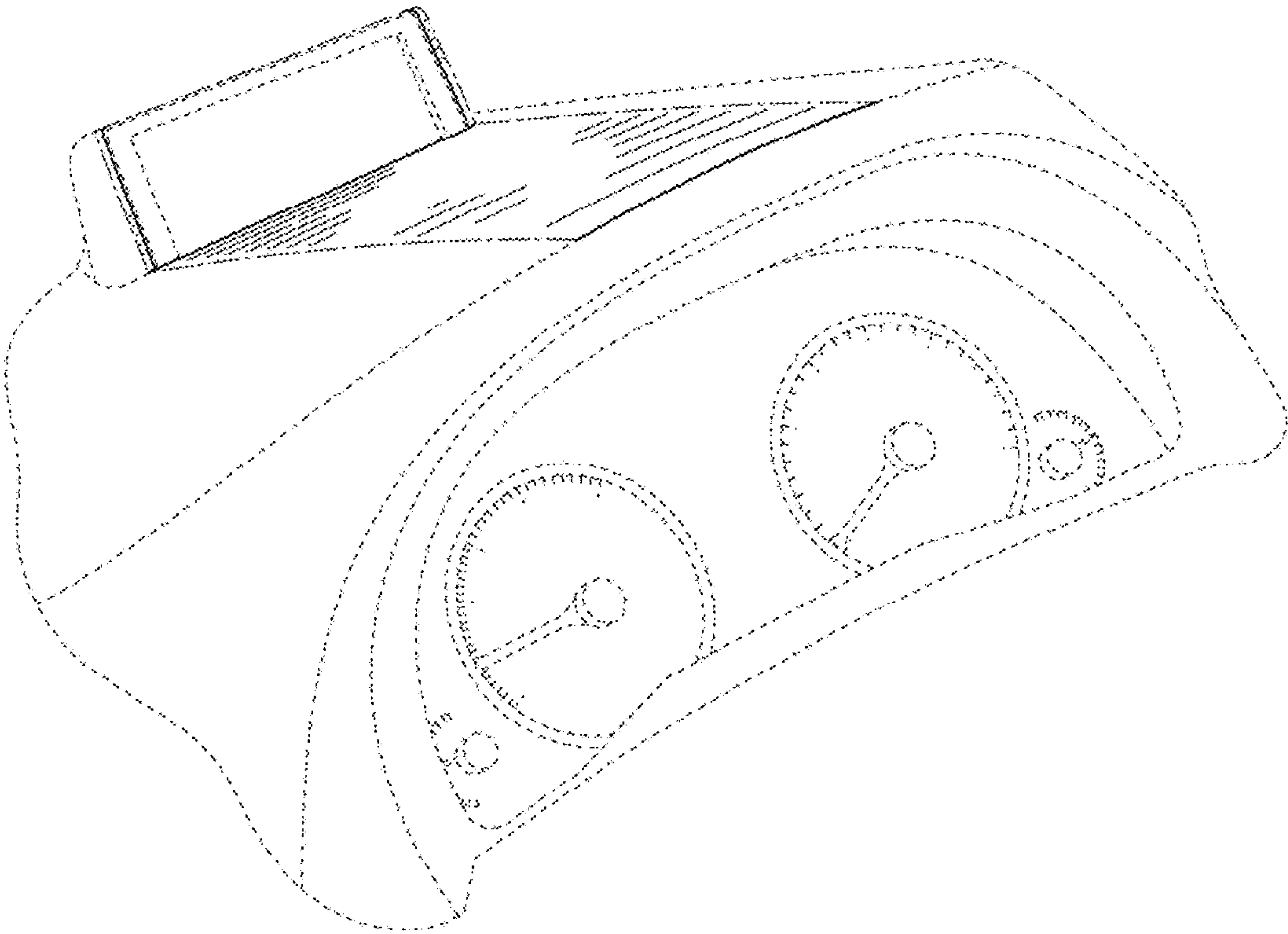


FIG. 1

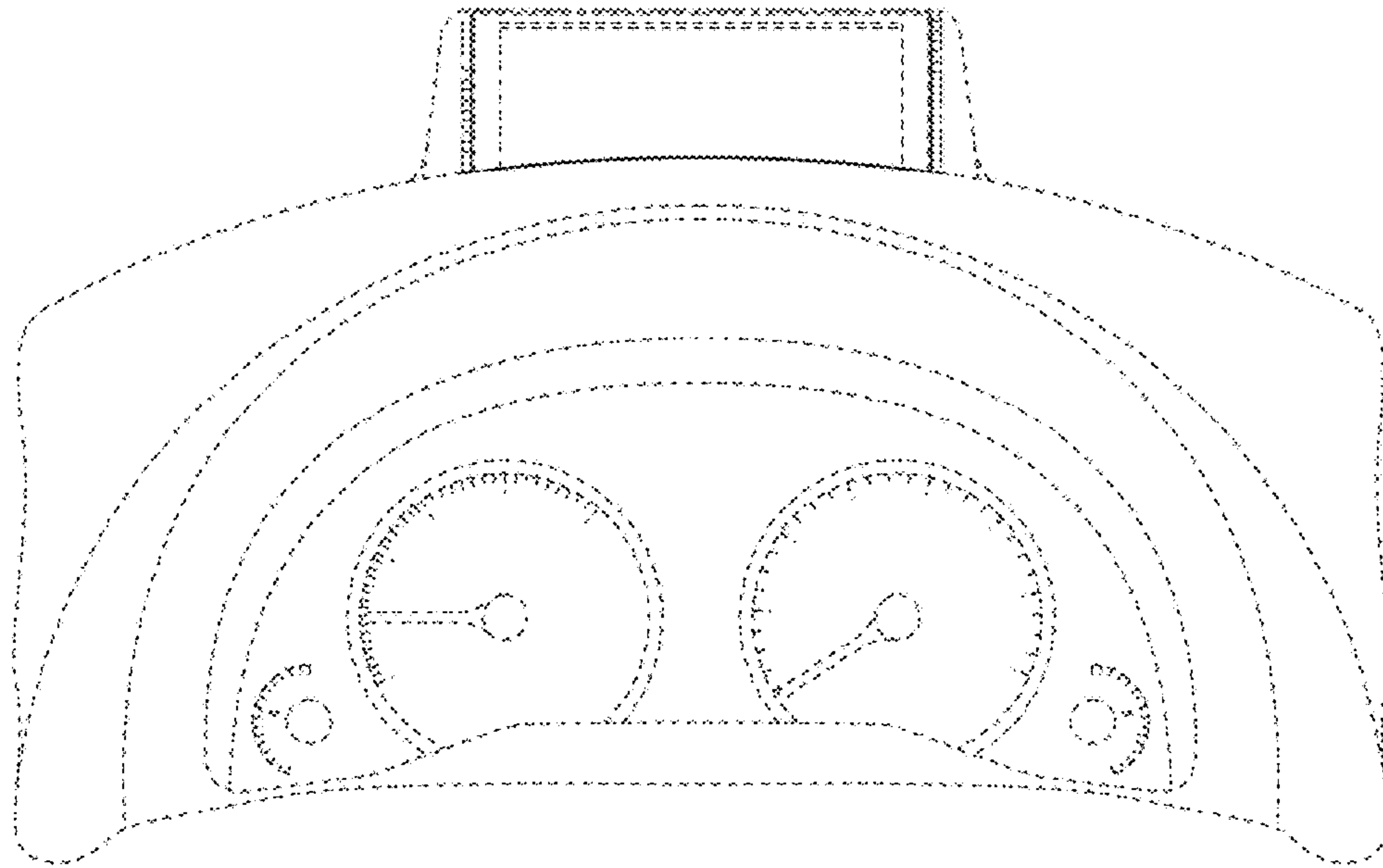


FIG. 2

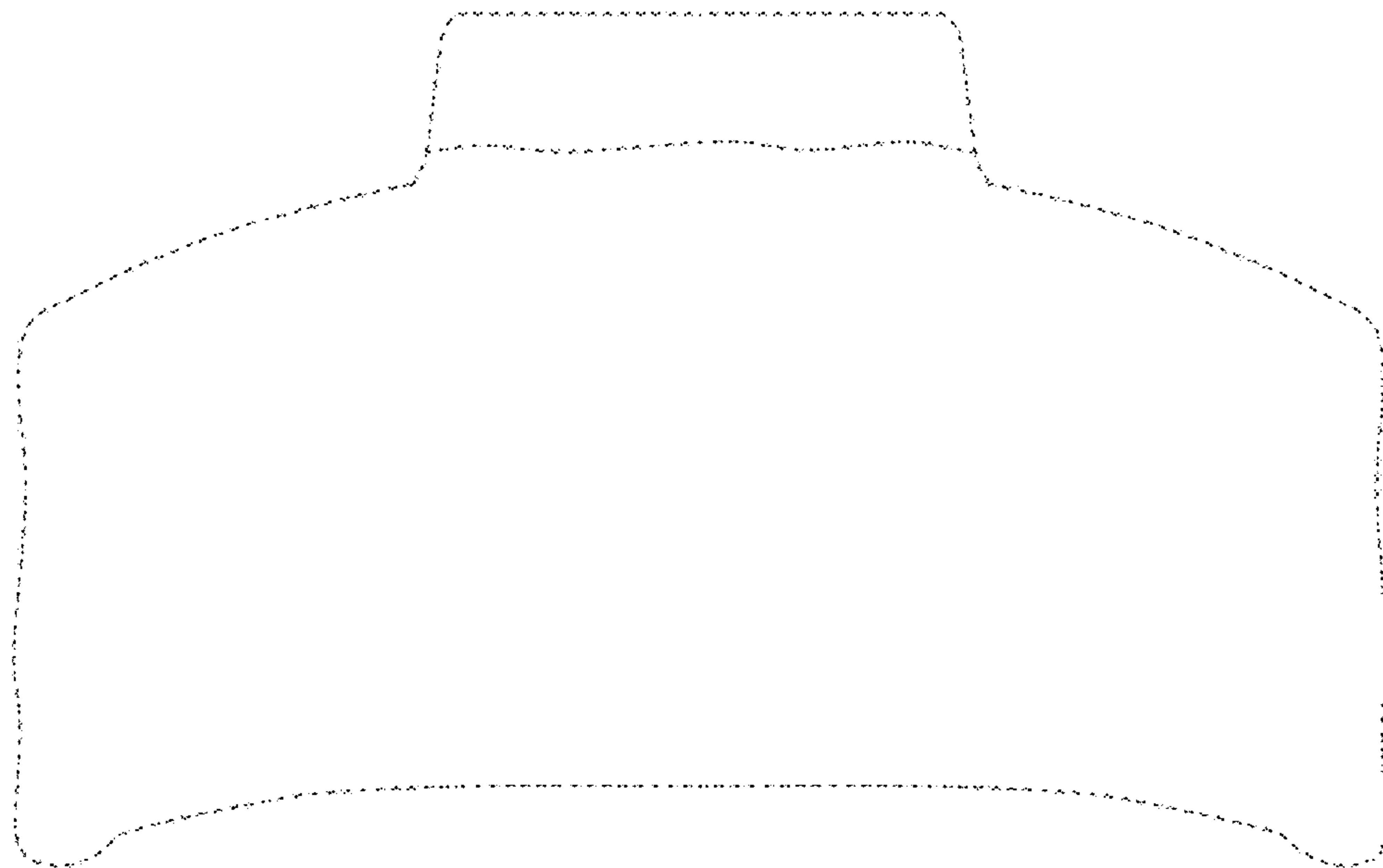


FIG. 3

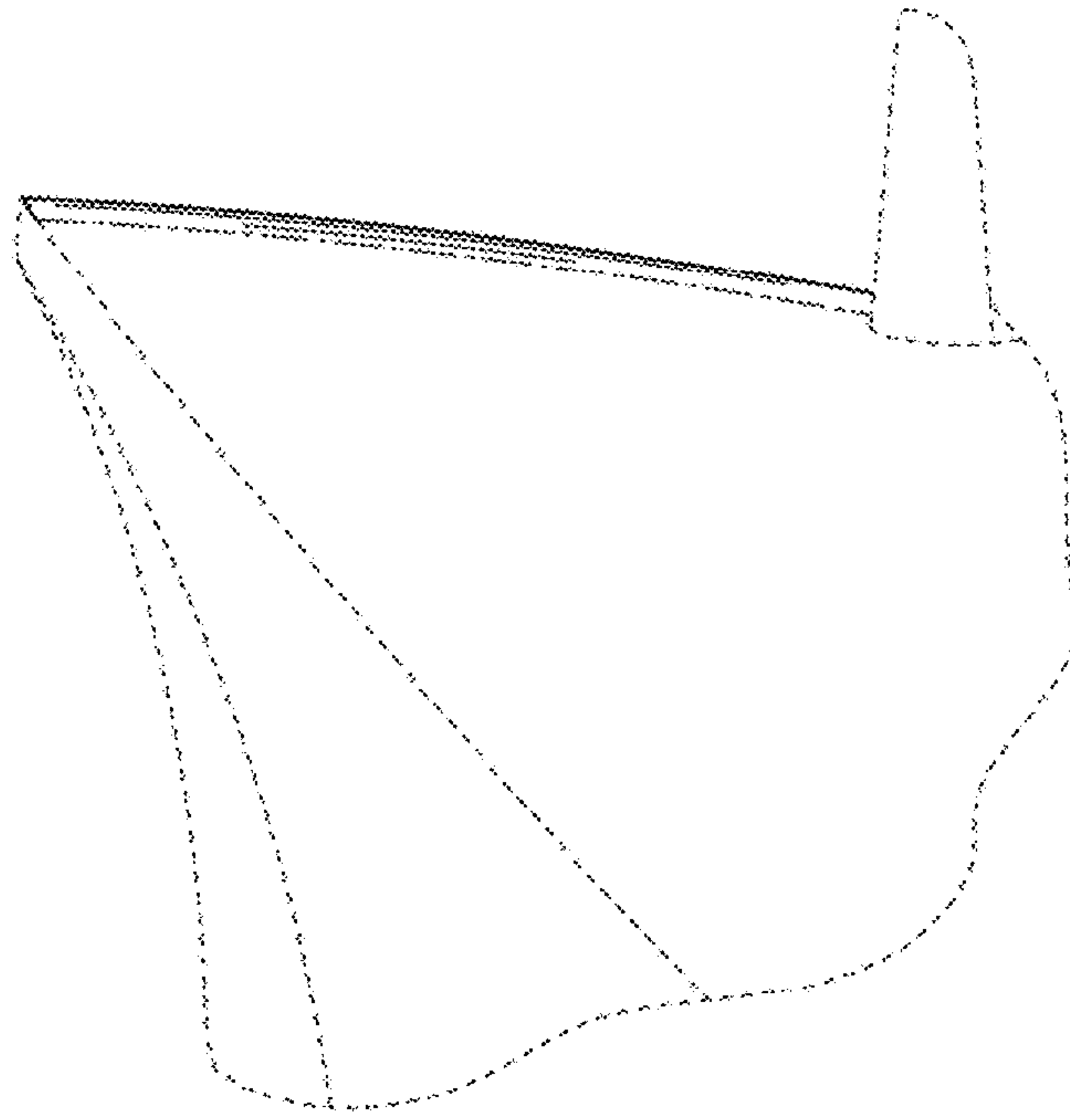


FIG. 4

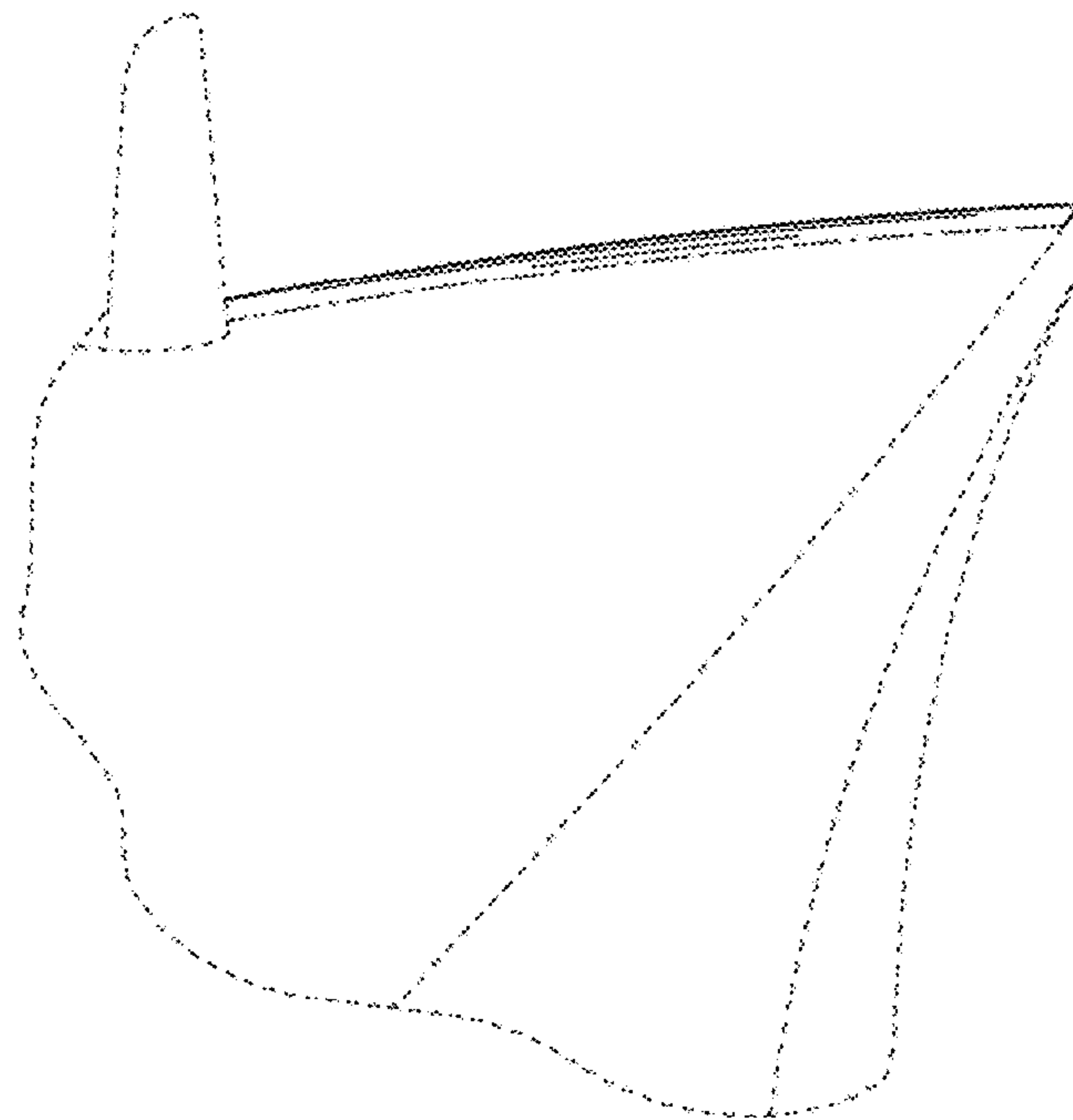


FIG. 5

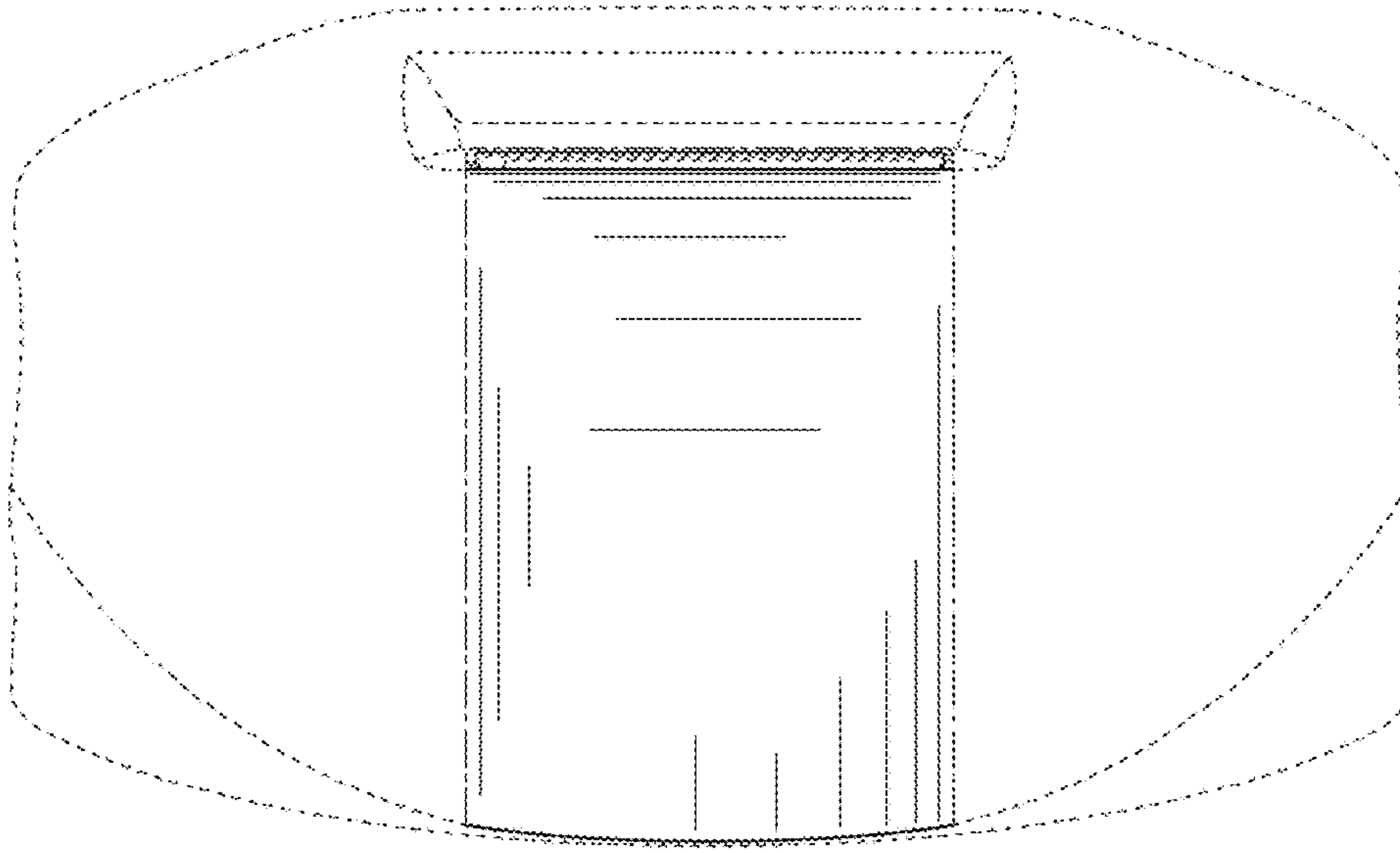


FIG. 6

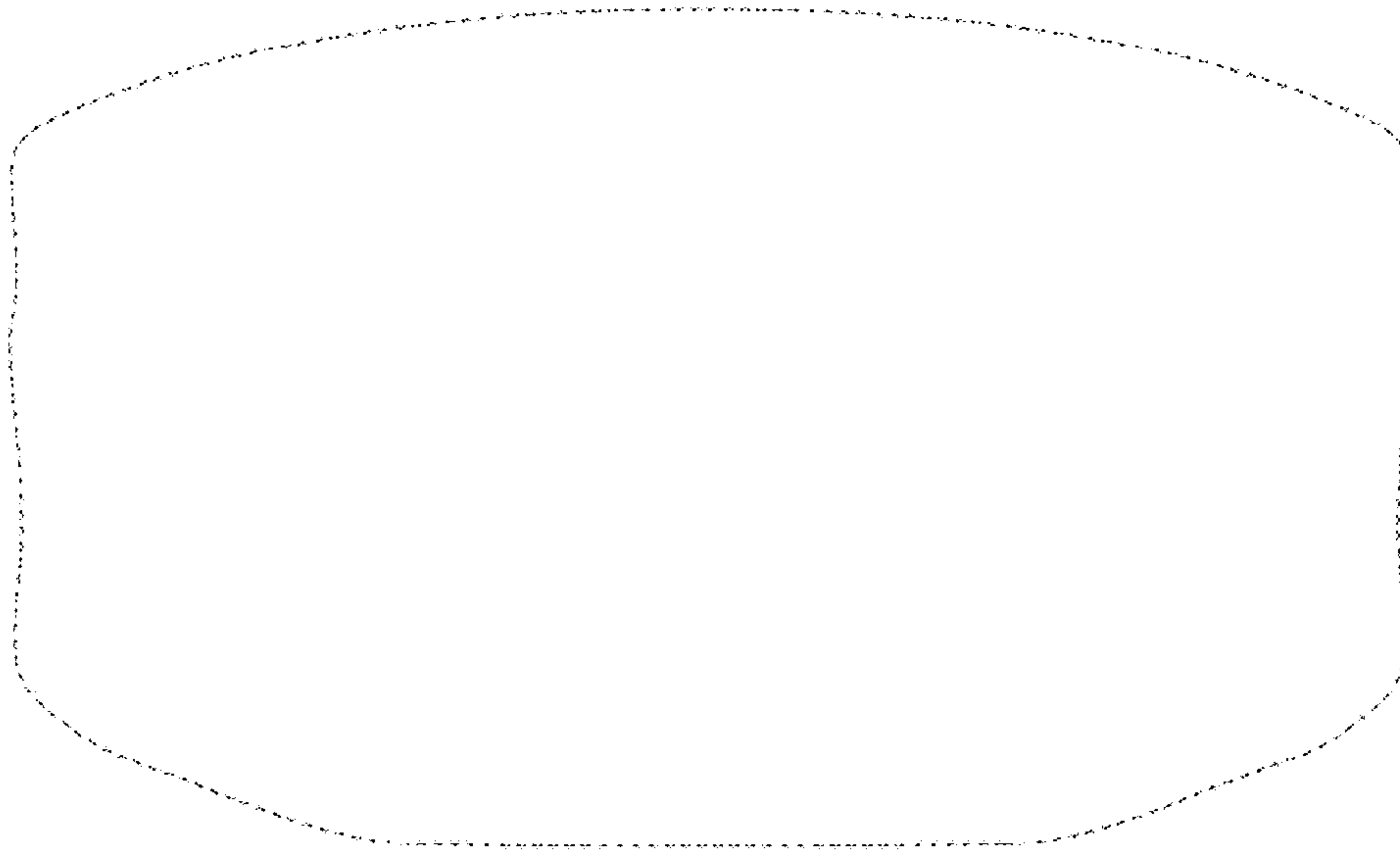


FIG. 7