



US00D777064S

(12) **United States Design Patent** (10) **Patent No.:** **US D777,064 S**
Rabska (45) **Date of Patent:** **** Jan. 24, 2017**

(54) **LUNETTE RING**

(71) Applicant: **Cequent Performance Products, Inc.**,
Plymouth, MI (US)

(72) Inventor: **Kevin Rabska**, Junction City, WI (US)

(73) Assignee: **Cequent Performance Products, Inc.**,
Plymouth, MI (US)

(**) Term: **15 Years**

(21) Appl. No.: **29/564,793**

(22) Filed: **May 16, 2016**

Related U.S. Application Data

(62) Division of application No. 29/496,306, filed on Jul. 11, 2014, now Pat. No. Des. 760,124, which is a division of application No. 29/416,116, filed on Mar. 19, 2012, now Pat. No. Des. 710,263.

(51) **LOC (10) Cl.** **12-16**

(52) **U.S. Cl.**
USPC **D12/162**

(58) **Field of Classification Search**
USPC D12/162, 159, 160, 161
CPC B60D 1/60; B60D 1/065; B60D 1/00;
B60D 1/06

See application file for complete search history.

(56) **References Cited**

U.S. PATENT DOCUMENTS

5,332,251 A *	7/1994	Farquhar	B60D 1/60 280/507
D417,133 S *	11/1999	Niswanger	D8/331
6,918,726 B1 *	7/2005	Kerr	F16B 39/34 411/247
D581,248 S *	11/2008	Wu	D8/343
D596,921 S *	7/2009	Hageman	D8/330
D710,263 S *	8/2014	Rabska	D12/162

* cited by examiner

Primary Examiner — Katrina A Betton

(74) *Attorney, Agent, or Firm* — McDonald Hopkins LLC

(57) **CLAIM**

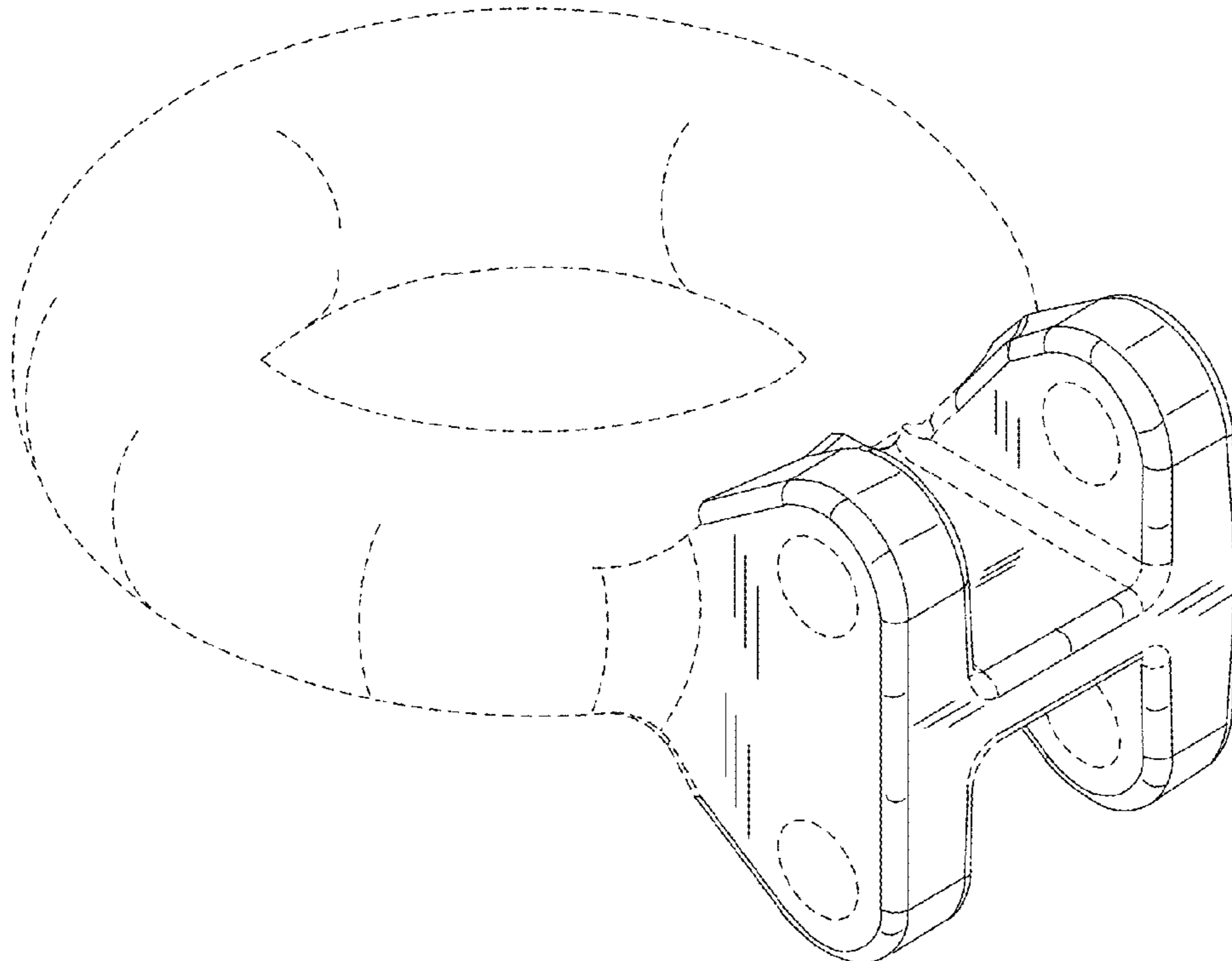
The ornamental design of a lunette ring, as shown and described.

DESCRIPTION

FIG. 1 is a rear, top perspective view of a lunette ring showing my new design;
FIG. 2 is a right side view thereof;
FIG. 3 is a rear view thereof;
FIG. 4 is a left side view thereof;
FIG. 5 is a top view thereof;
FIG. 6 is a front view thereof; and,
FIG. 7 is a bottom view thereof.

The broken lines in the figures are included for the purpose of illustrating portions of the lunette ring and form no part of the claimed design.

1 Claim, 4 Drawing Sheets



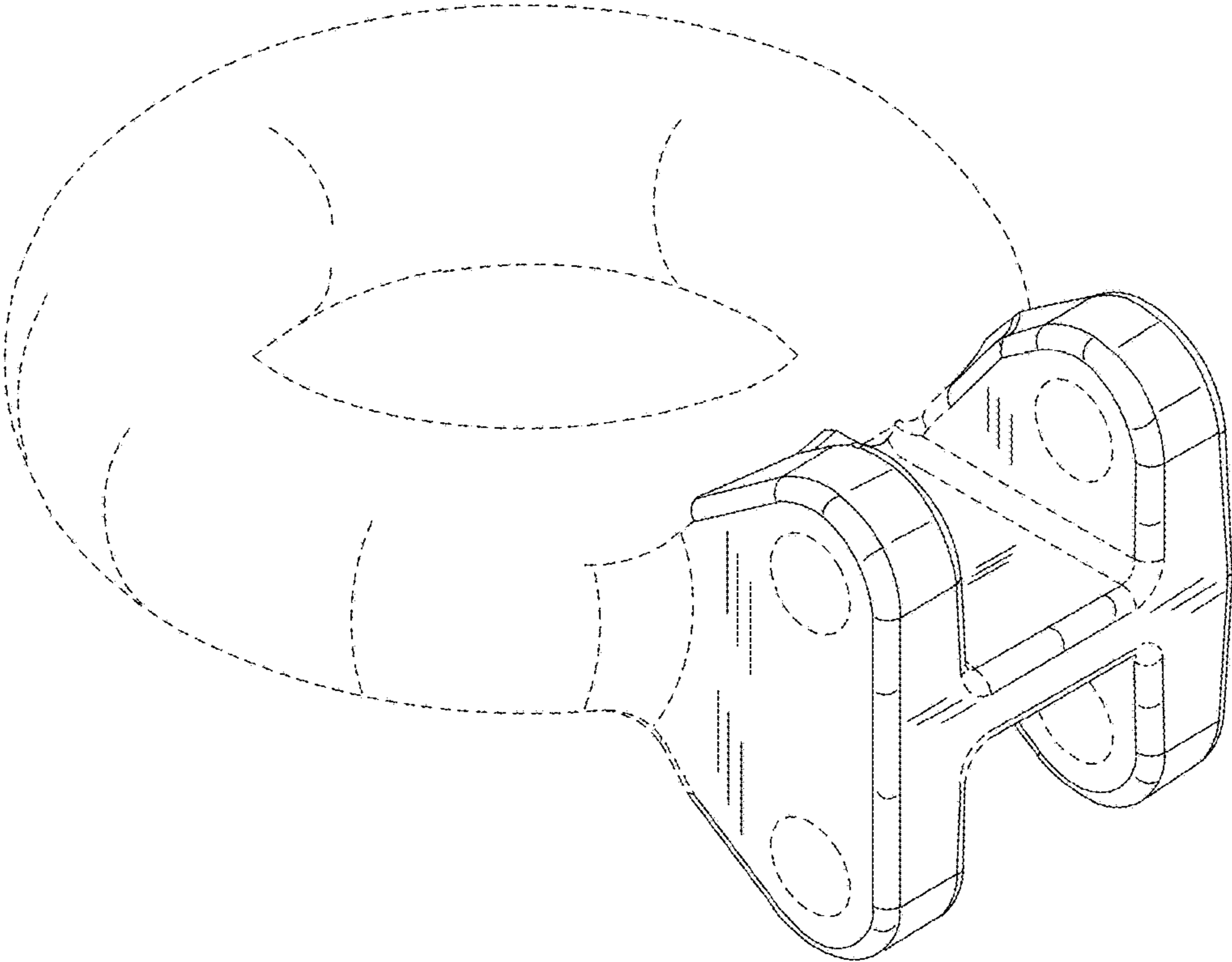


FIG. 1

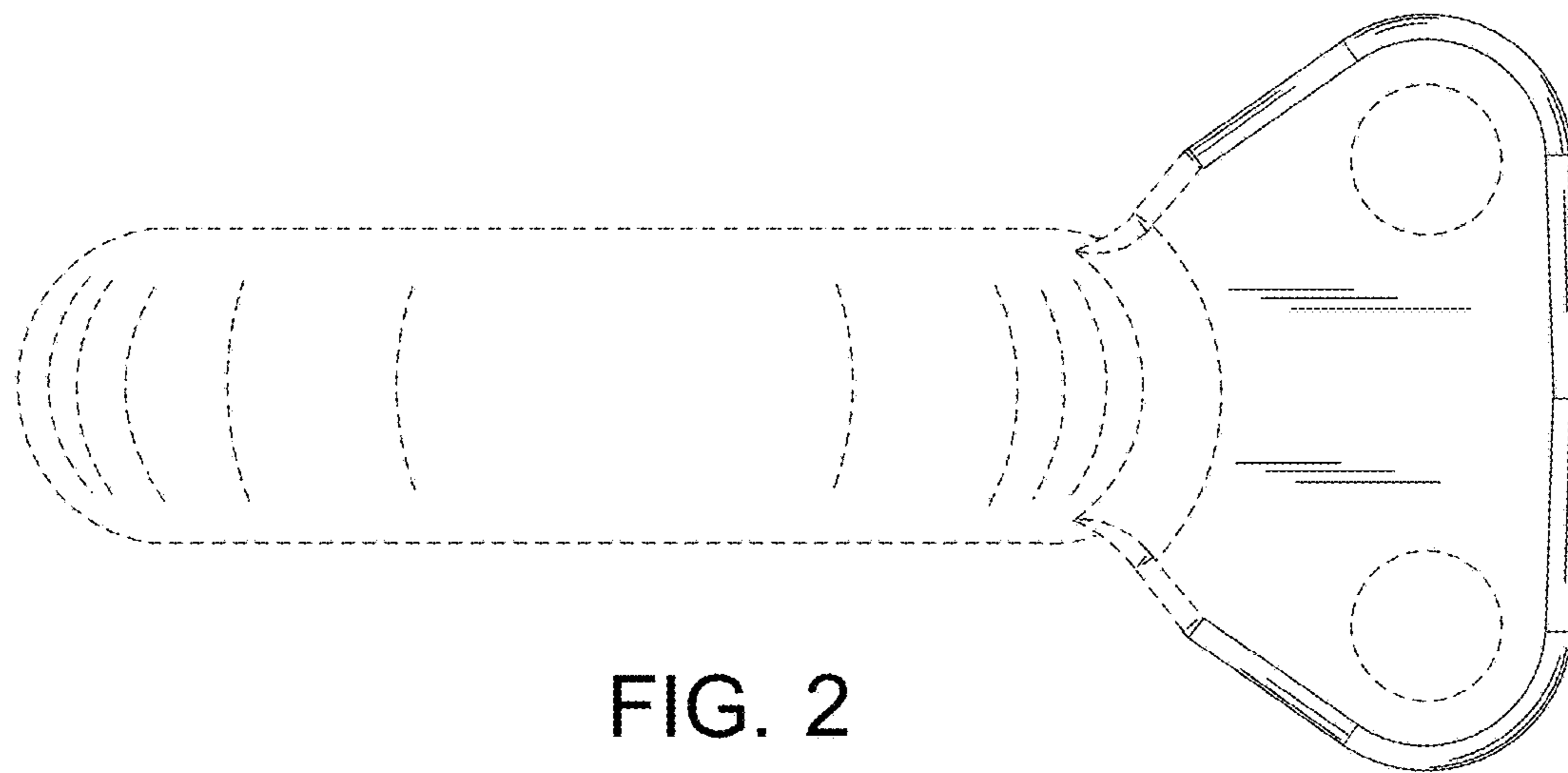


FIG. 2

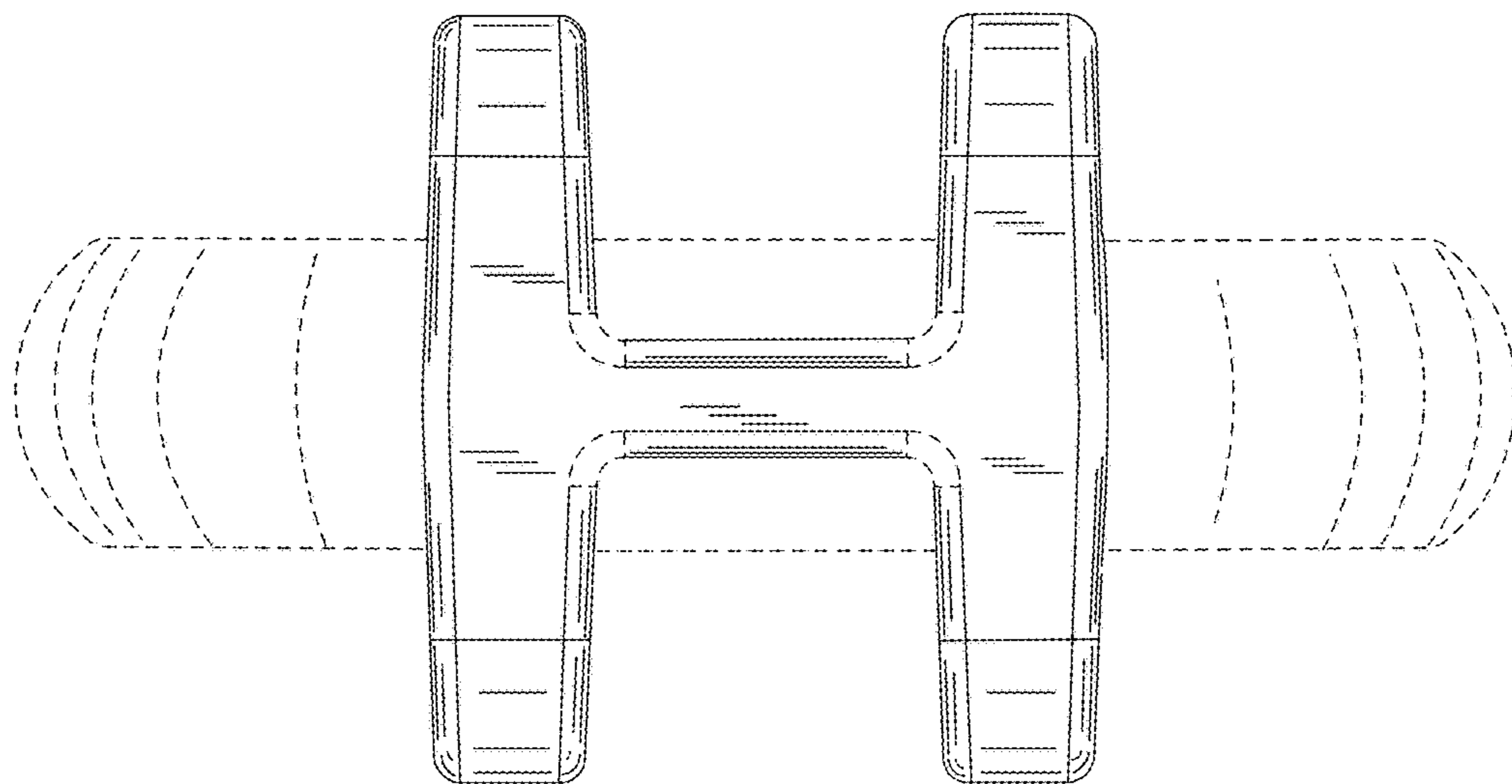


FIG. 3

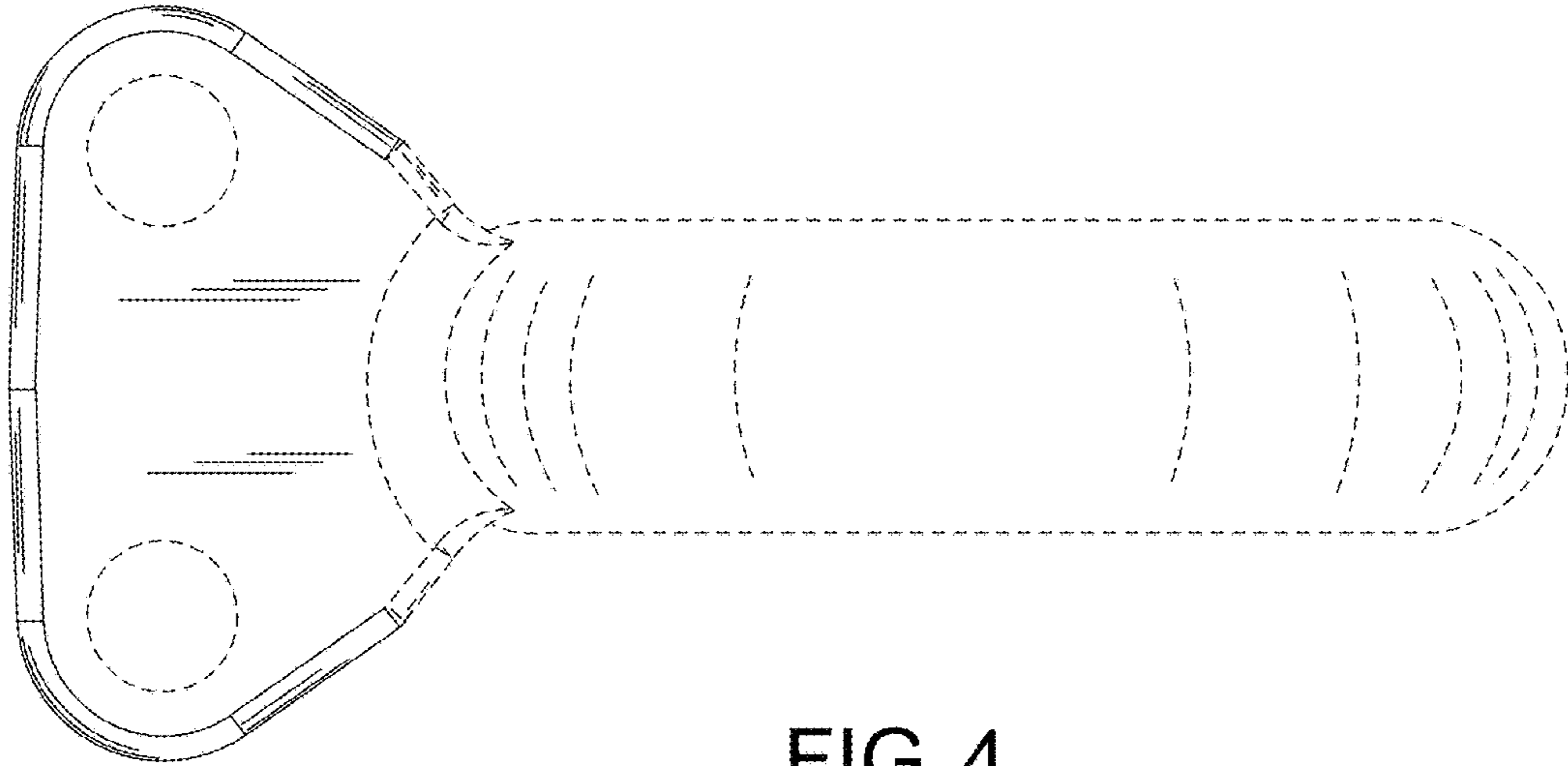


FIG. 4

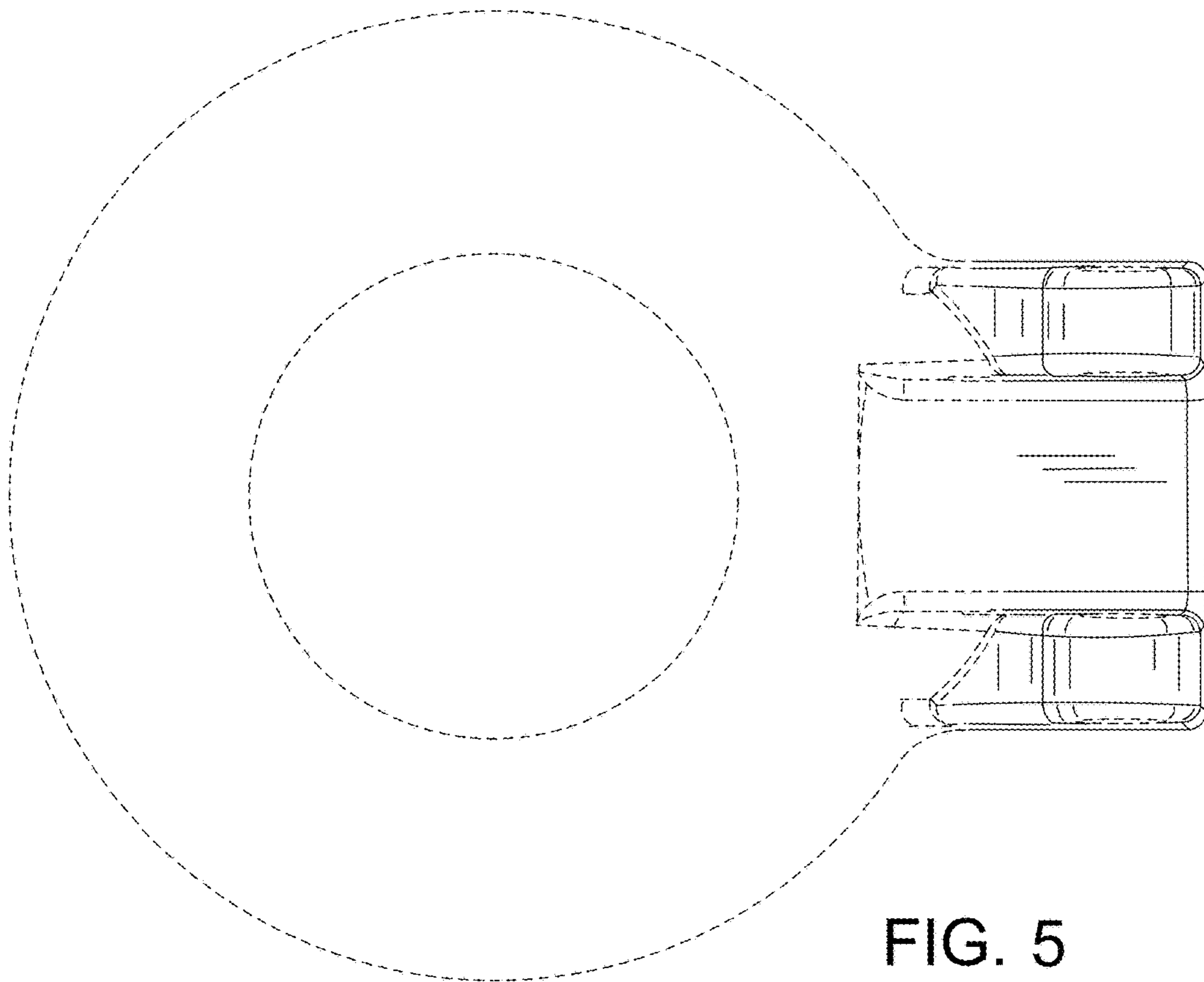


FIG. 5

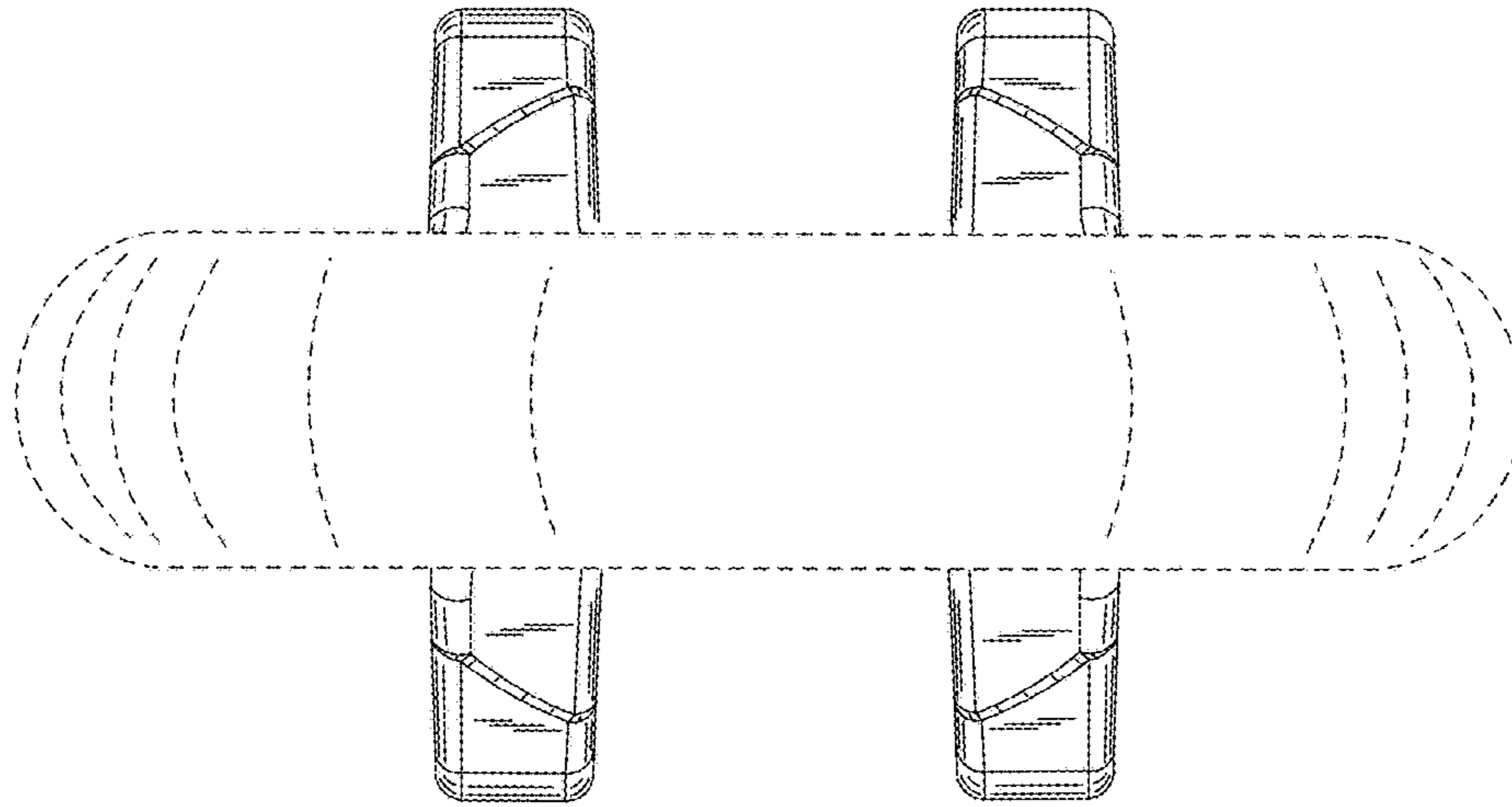


FIG. 6

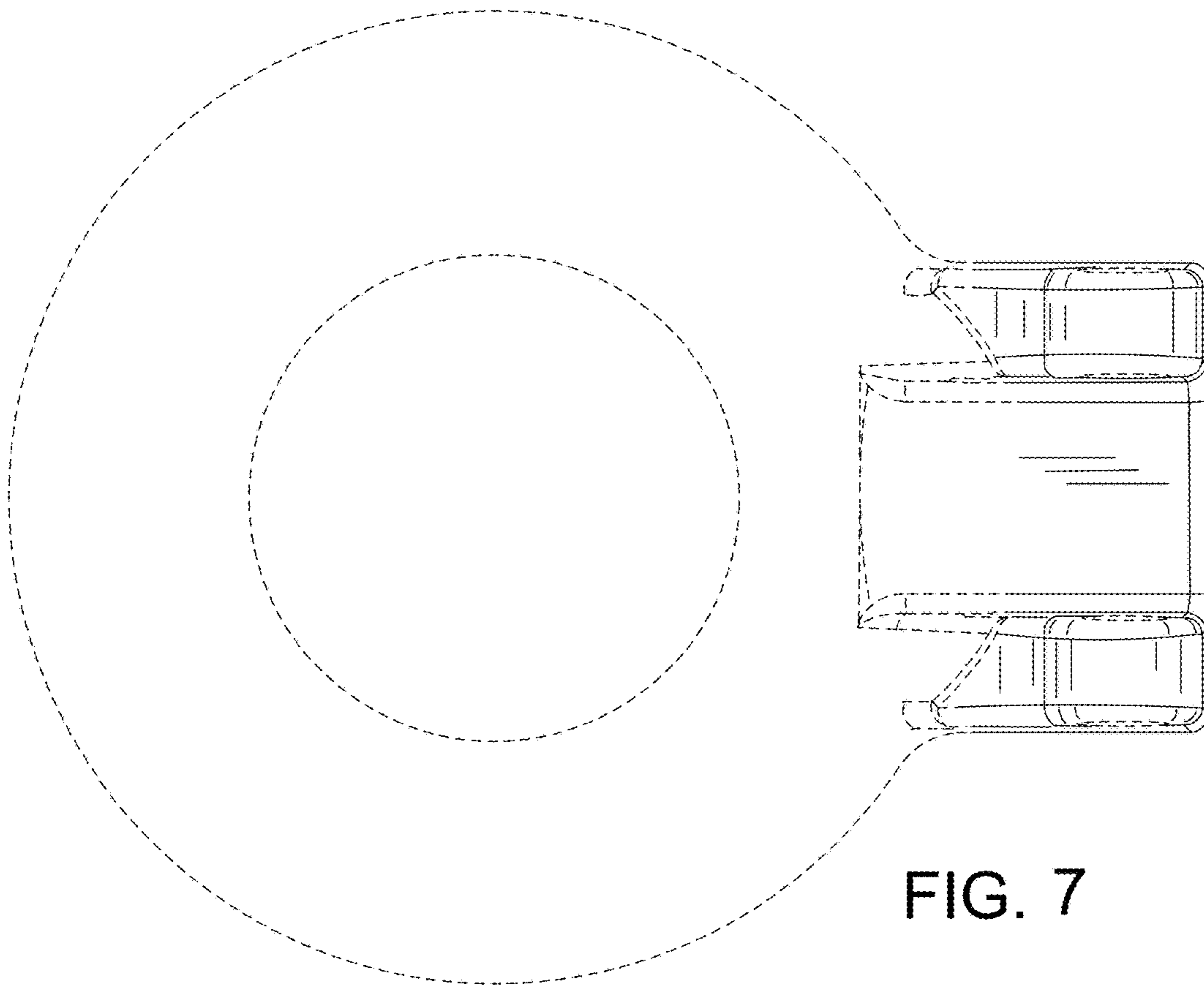


FIG. 7