



US00D777063S

(12) **United States Design Patent**  
**Kim**

(10) **Patent No.:** **US D777,063 S**  
(45) **Date of Patent:** **\*\* Jan. 24, 2017**

- (54) **HINGE FOR A STROLLER**
- (71) Applicant: **Helen of Troy Limited**, Belleville, St. Michael (BB)
- (72) Inventor: **Sunny Kim**, Astoria, NY (US)
- (73) Assignee: **Helen of Troy Limited**, Belleville, St. Michael (BB)
- (\*\*) Term: **15 Years**
- (21) Appl. No.: **29/541,012**
- (22) Filed: **Sep. 30, 2015**
- (51) **LOC (10) Cl.** ..... **12-12**
- (52) **U.S. Cl.**  
USPC ..... **D12/133**
- (58) **Field of Classification Search**  
USPC ..... D12/128-133  
CPC ..... B62B 7/00-7/04; B62B 9/00-9/28  
See application file for complete search history.

- D624,458 S \* 9/2010 Ageneau ..... D12/129
- D635,491 S \* 4/2011 Ohnishi ..... D12/129
- D643,343 S \* 8/2011 Song ..... D12/129
- D671,040 S \* 11/2012 Lin ..... D12/129
- D688,602 S \* 8/2013 Clifton ..... D12/129
- D726,078 S \* 4/2015 Liao ..... D12/129
- D733,617 S \* 7/2015 Angelfoss ..... D12/129
- D747,669 S \* 1/2016 Cheng ..... D12/129

\* cited by examiner

*Primary Examiner* — Charles Hanson  
(74) *Attorney, Agent, or Firm* — Rankin, Hill & Clark LLP

(57) **CLAIM**

The ornamental design for a hinge for a stroller, as shown and described.

**DESCRIPTION**

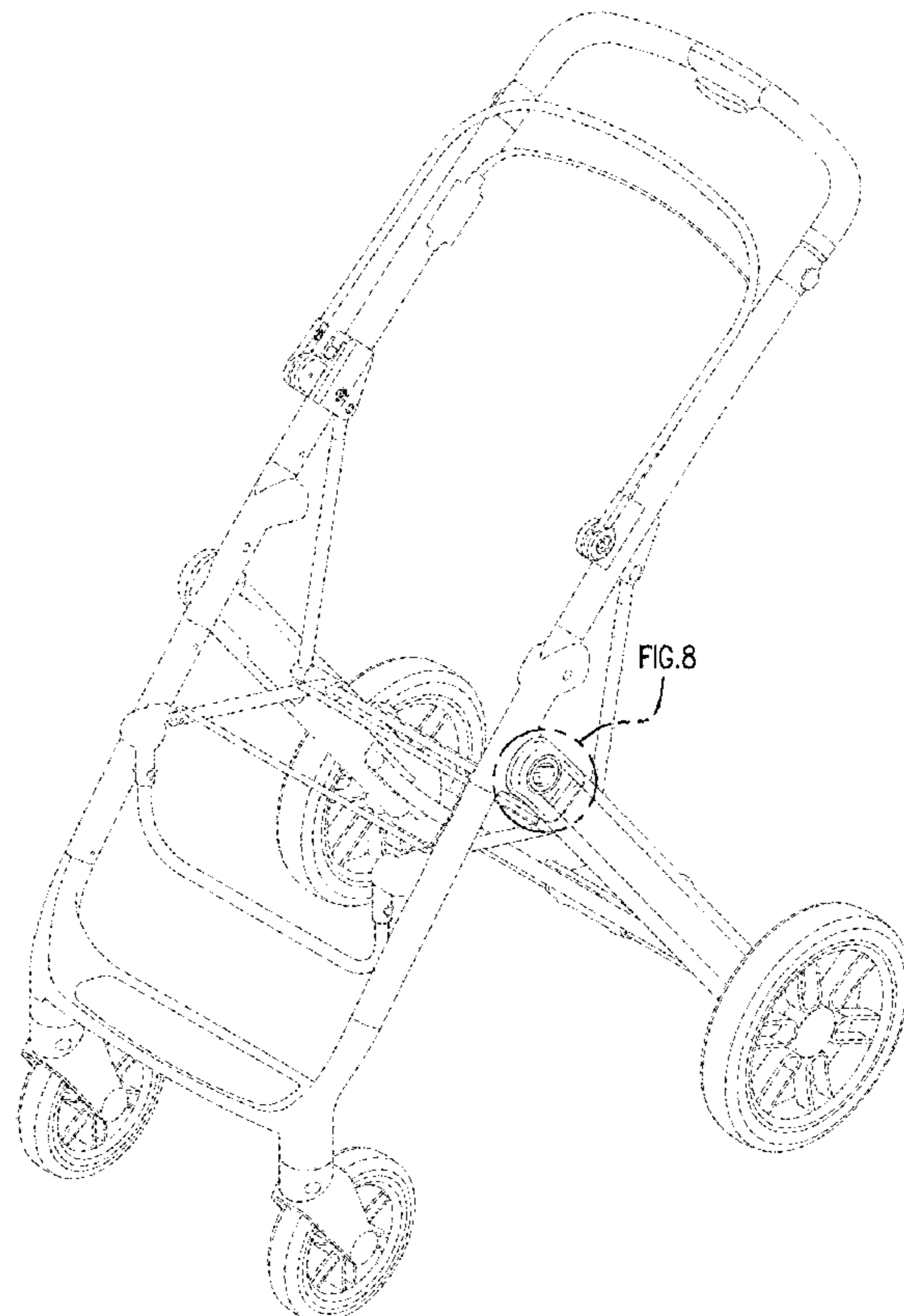
FIG. 1 is a perspective view of a hinge for a stroller; FIG. 2 is a front elevation view thereof; FIG. 3 is a rear elevation view thereof; FIG. 4 is a right side elevation view thereof; FIG. 5 is a left side elevation view thereof; FIG. 6 is a top plan view thereof; FIG. 7 is a bottom plan view thereof; FIG. 8 an enlarged view of the circled portion in FIG. 1; and, FIG. 9 an enlarged view of the circled portion in FIG. 5. The broken lines in the drawings do not form a part of the claimed design.

**1 Claim, 9 Drawing Sheets**

(56) **References Cited**

U.S. PATENT DOCUMENTS

- D463,330 S \* 9/2002 Yang ..... D12/129
- D571,263 S \* 6/2008 Lai ..... D12/129
- D578,936 S \* 10/2008 Chen ..... D12/129
- D580,828 S \* 11/2008 Chen ..... D12/129
- D616,338 S \* 5/2010 Kho ..... D12/129



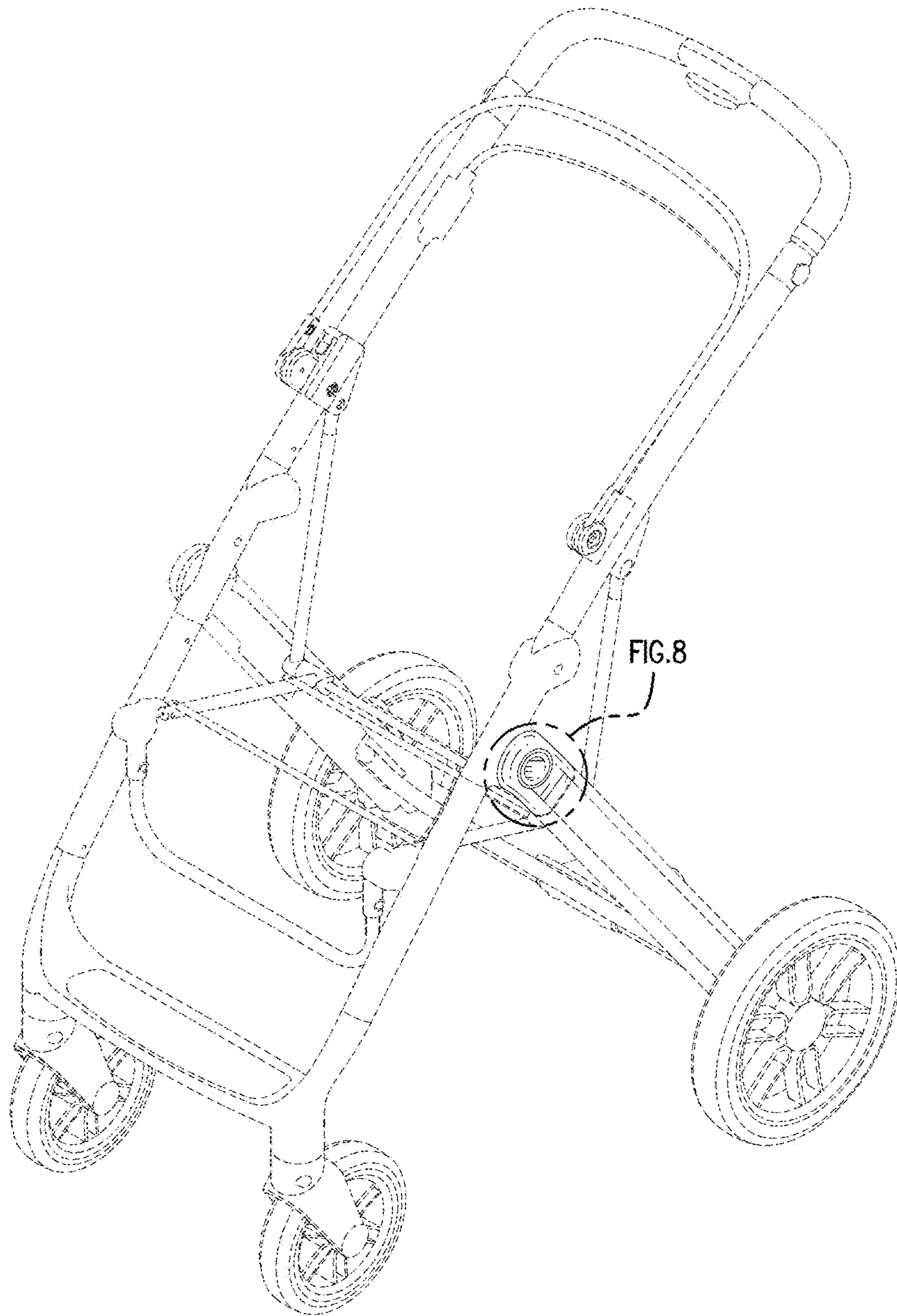


FIG. 1

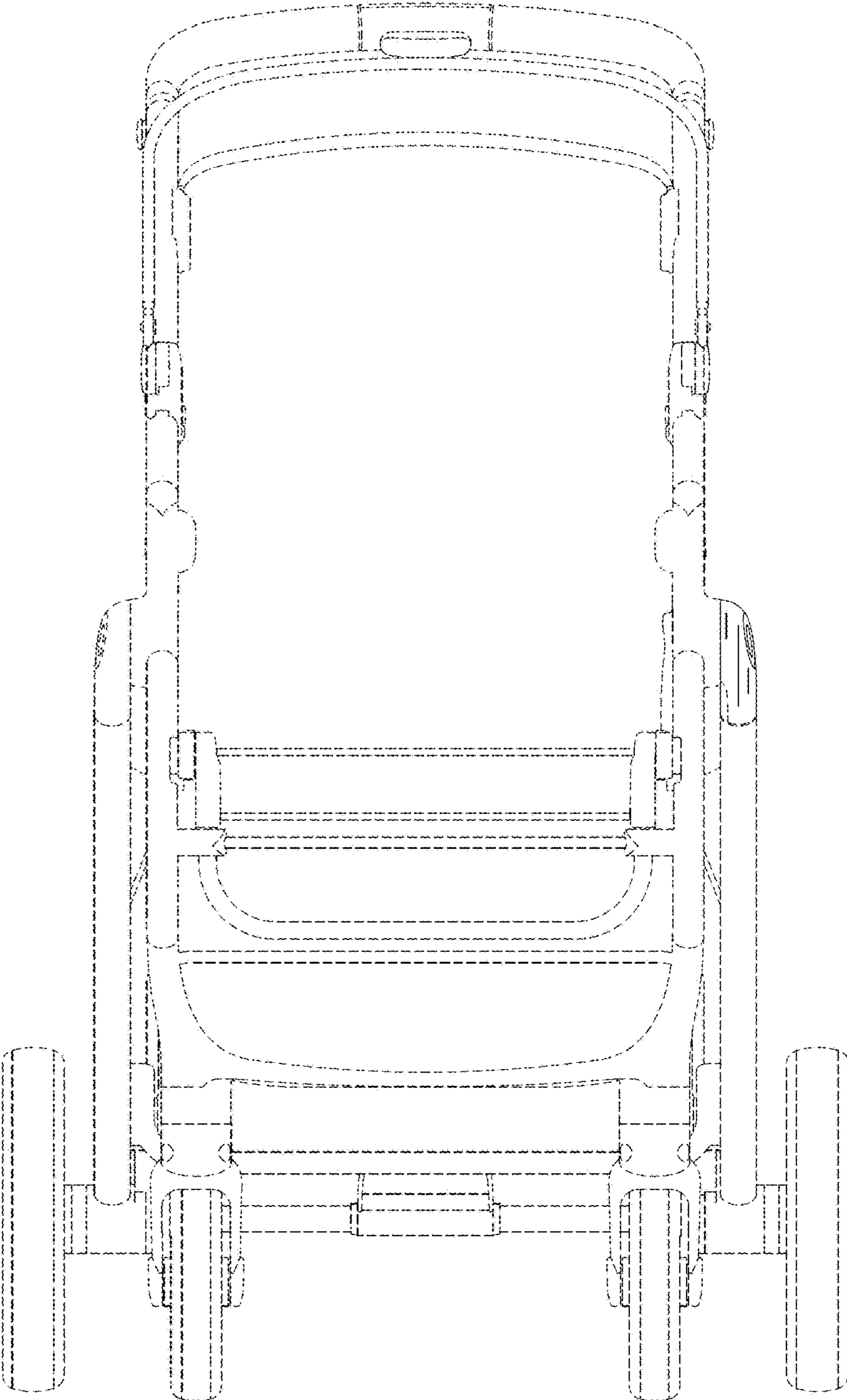


FIG.2

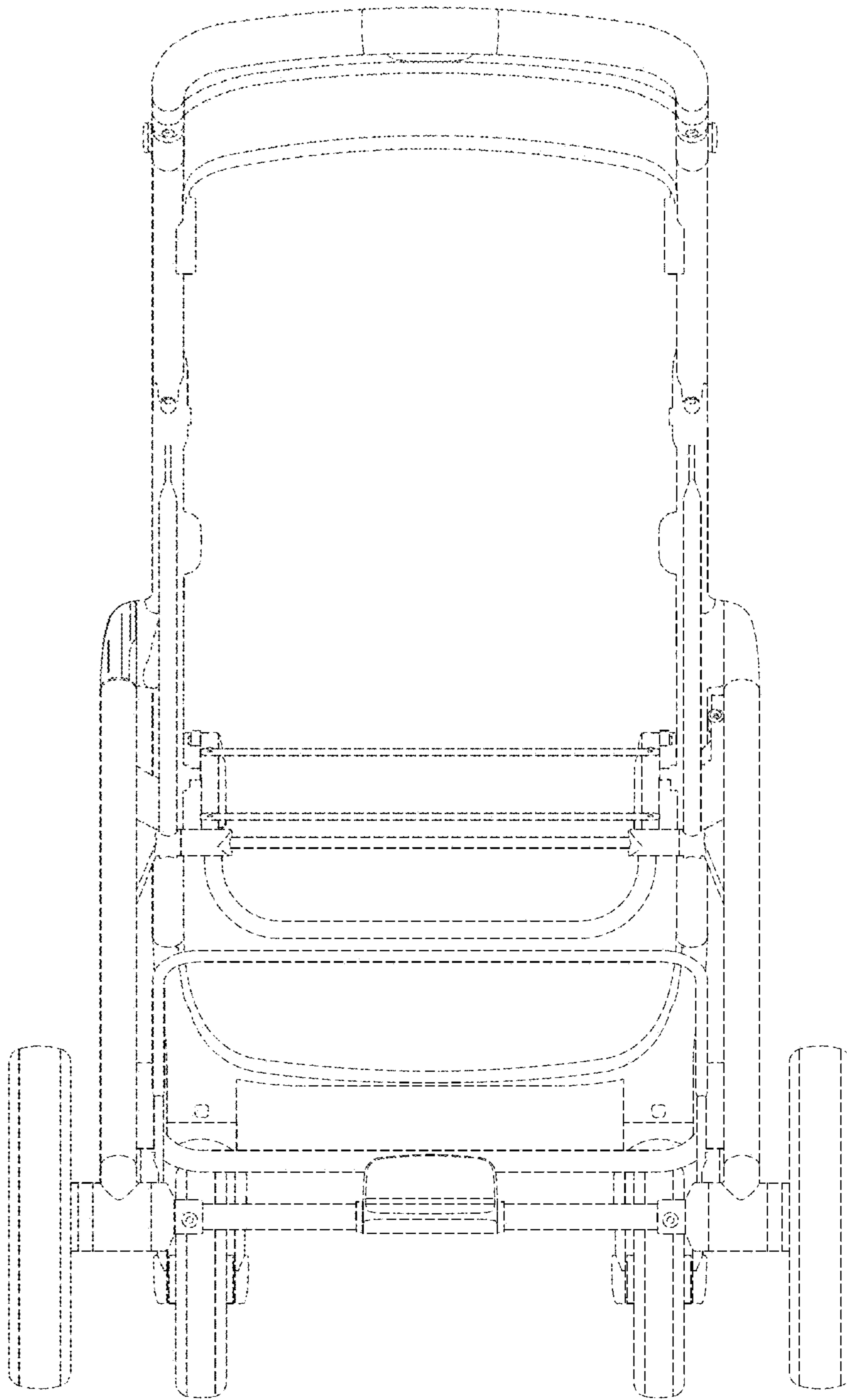


FIG. 3

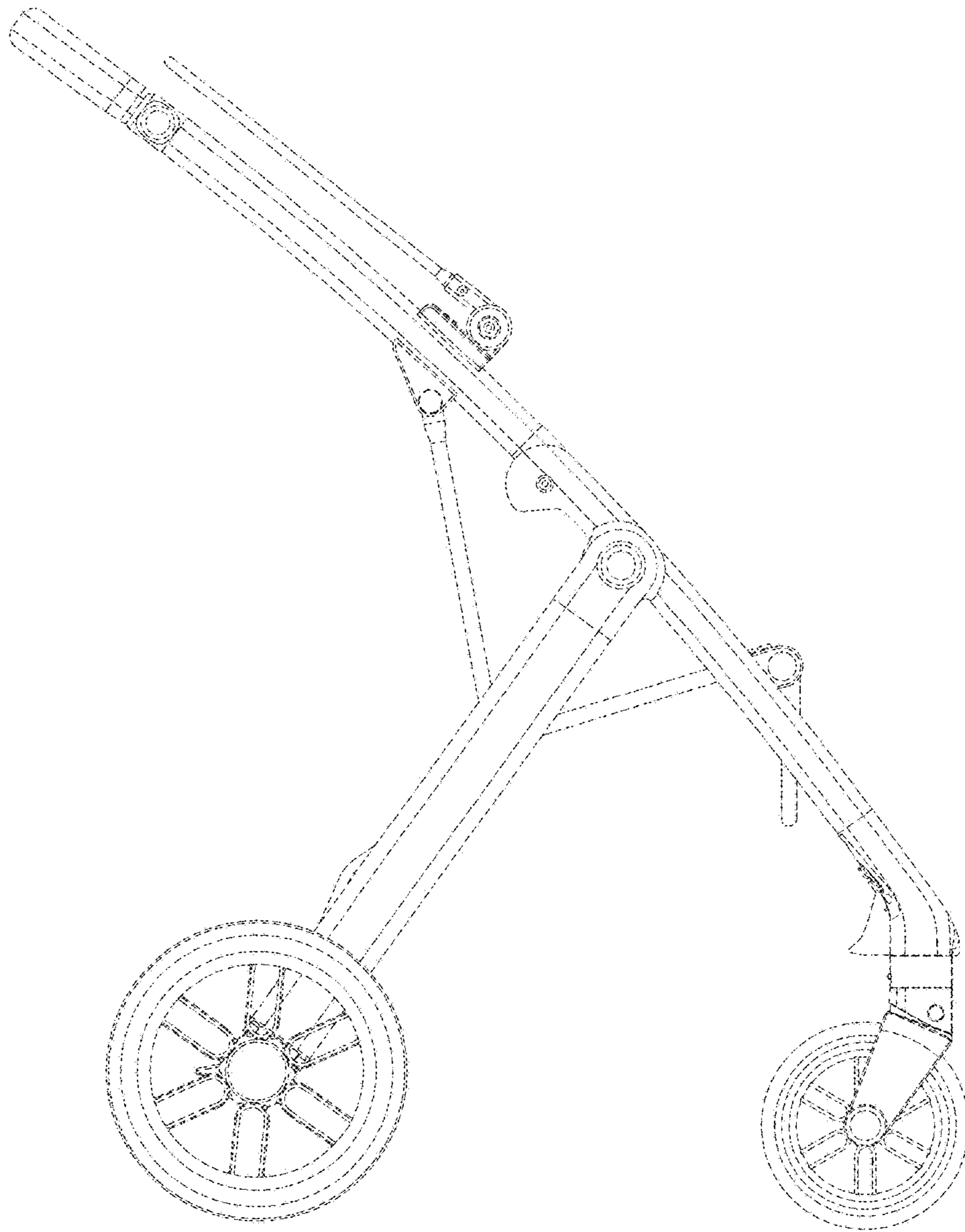


FIG.4

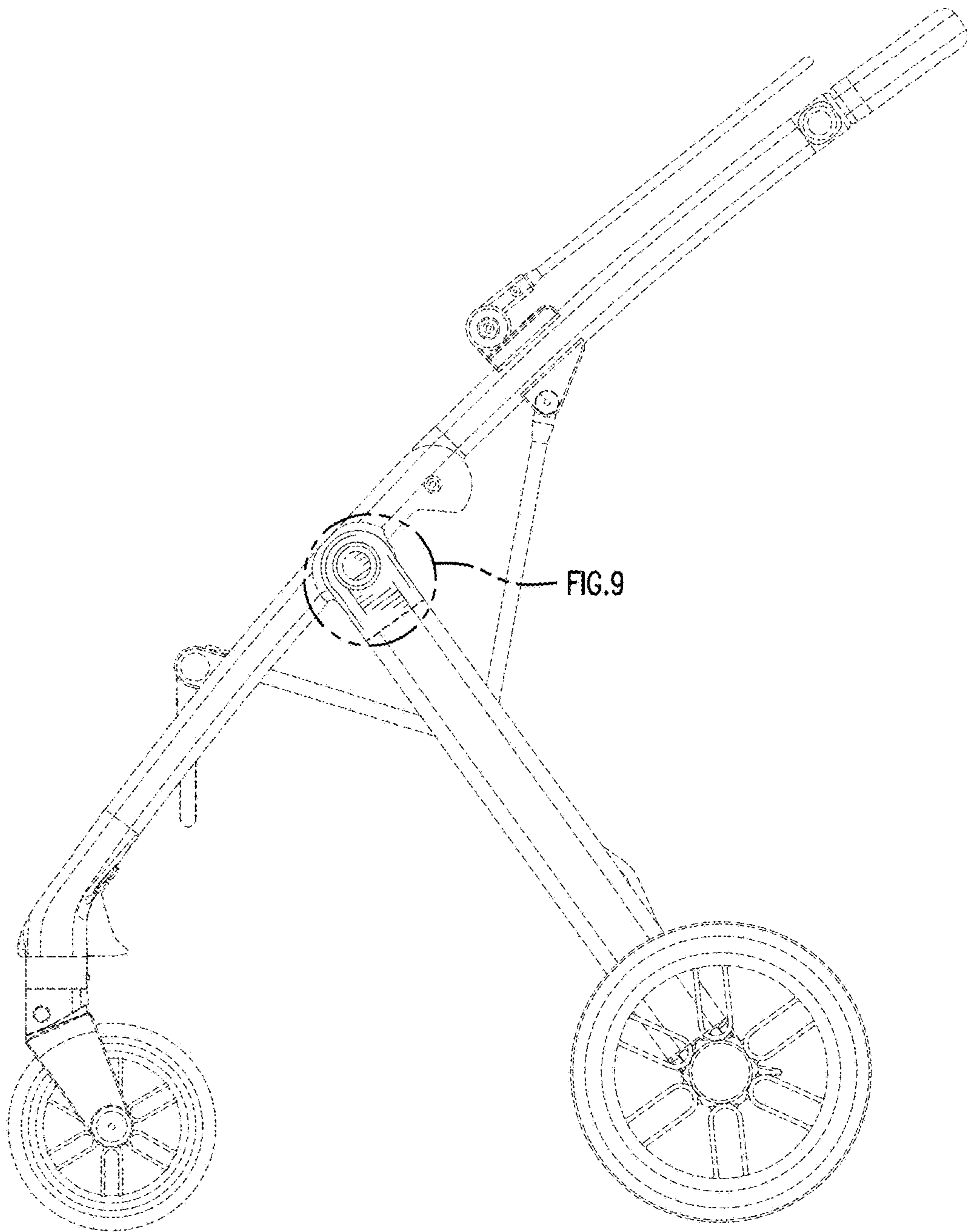


FIG. 5

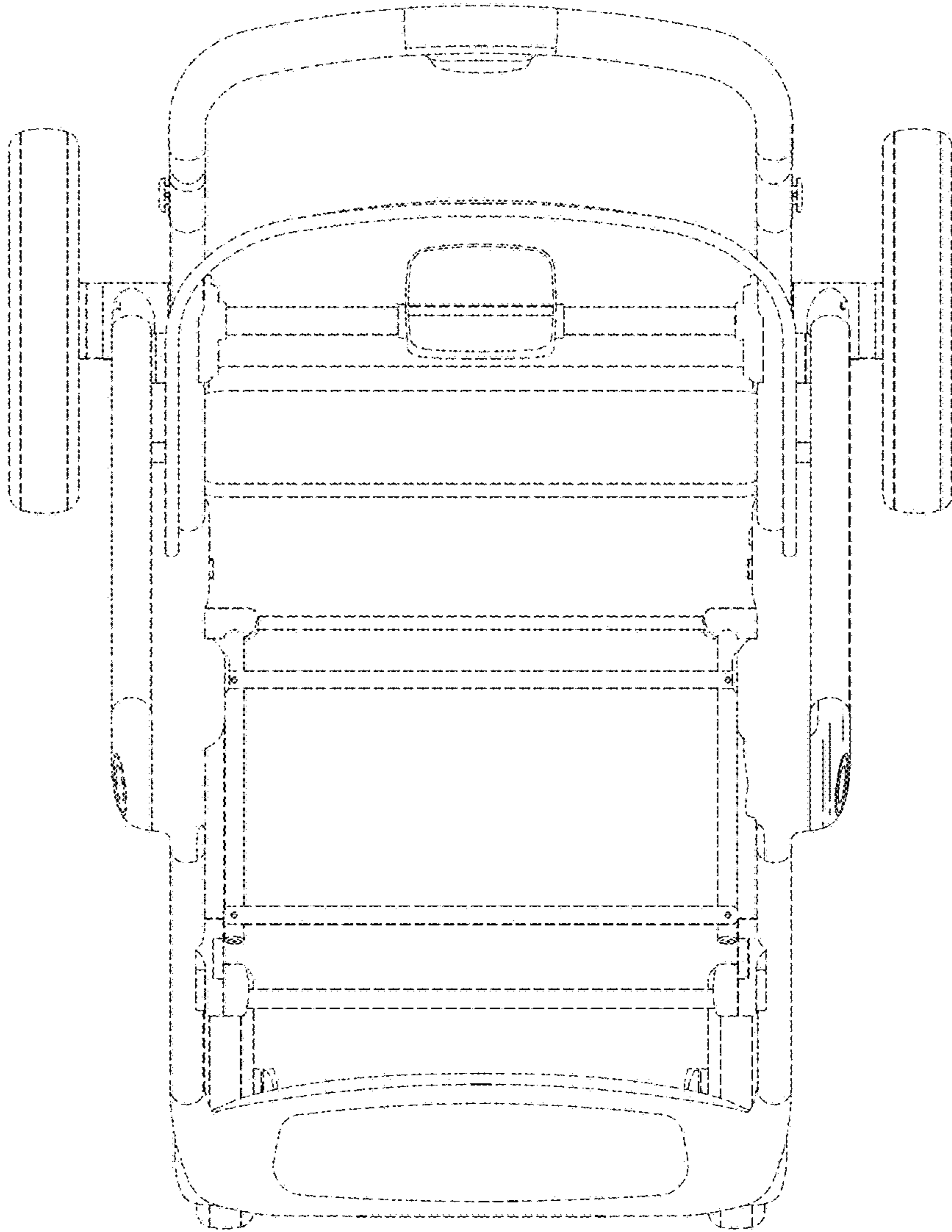


FIG.6

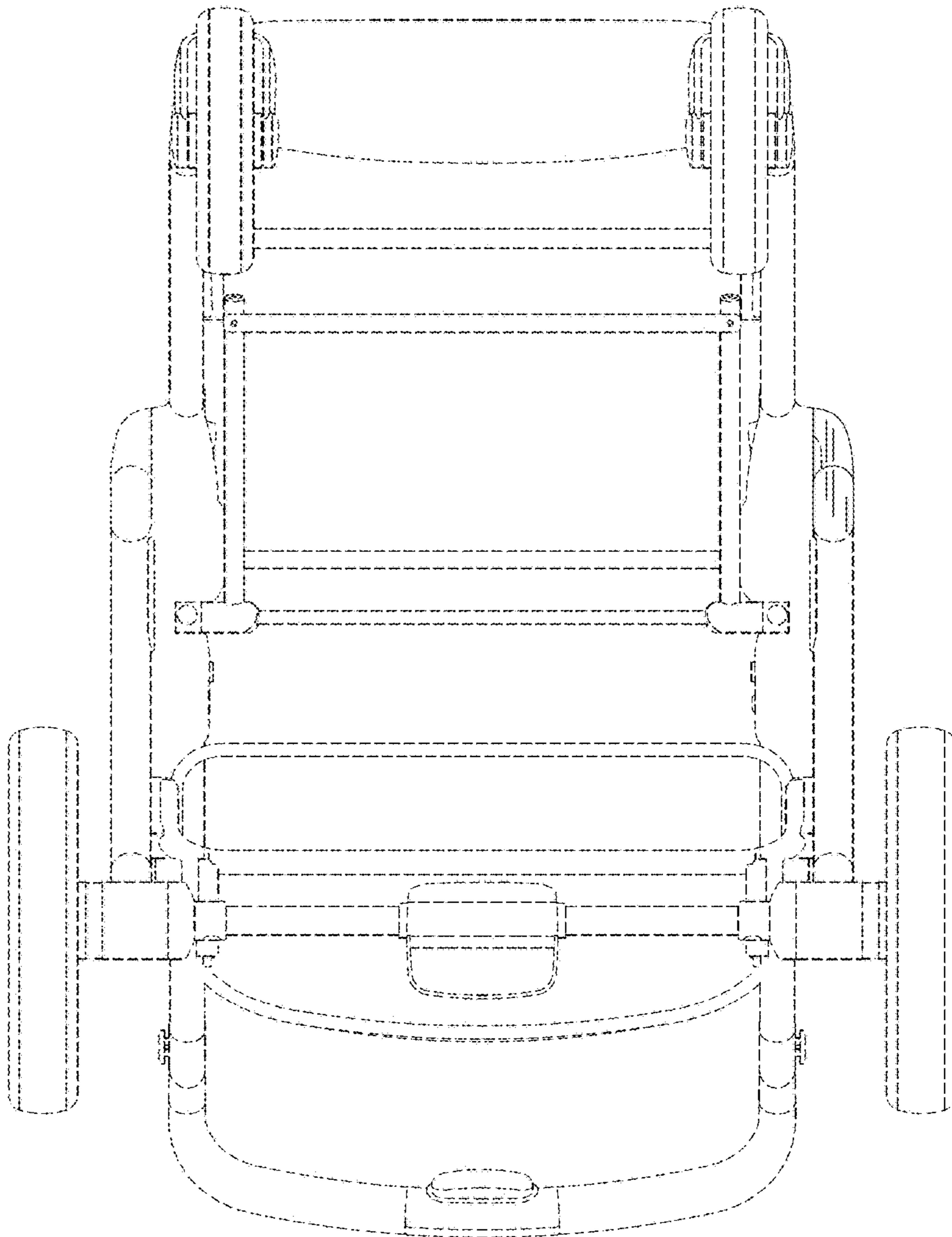


FIG. 7



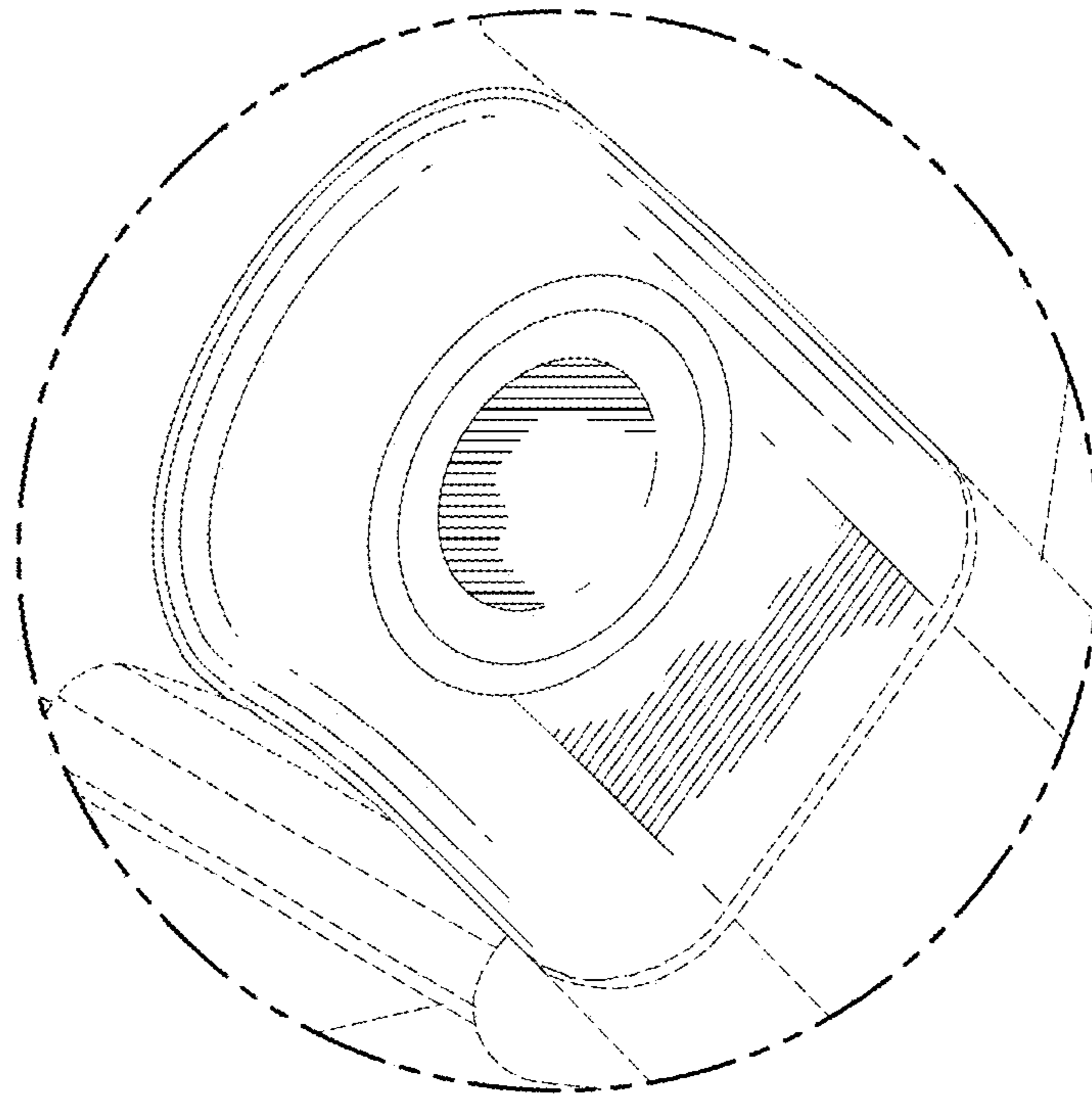


FIG. 8

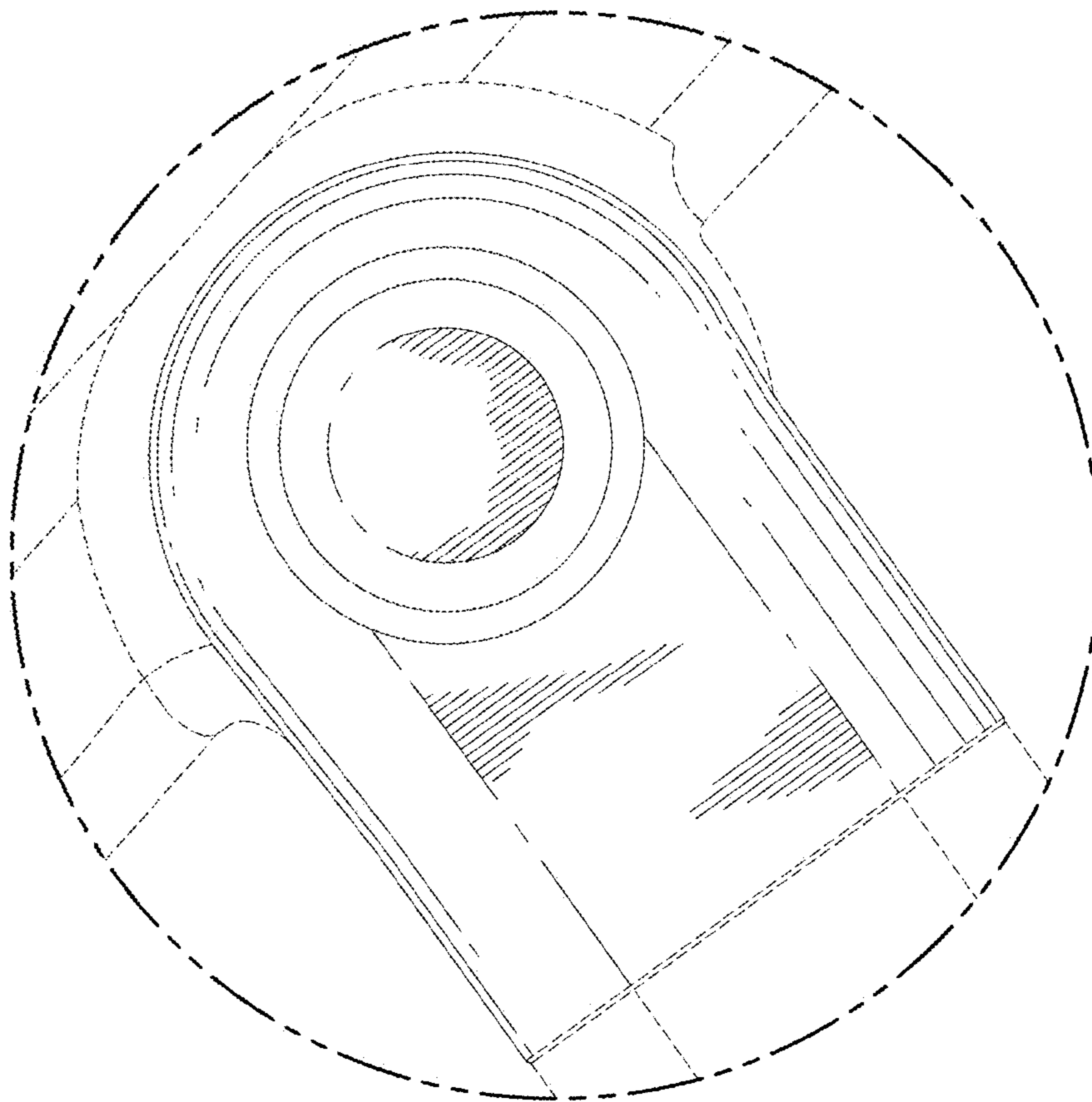


FIG.9