



US00D777062S

(12) **United States Design Patent**  
**Beaulieu et al.**

(10) **Patent No.:** **US D777,062 S**  
(45) **Date of Patent:** **\*\* Jan. 24, 2017**

(54) **MOBILITY ASSISTANCE SLING**

(71) Applicant: **B2 PRODUCTS, LLC**, Tolland, CT (US)

(72) Inventors: **Joshua Beaulieu**, Tolland, CT (US);  
**Christopher Beaulieu**, Hudson, NH (US)

(73) Assignee: **B2 PRODUCTS LLC**, Tolland, CT (US)

(\*\*) Term: **14 Years**

(21) Appl. No.: **29/518,104**

(22) Filed: **Feb. 19, 2015**

(51) **LOC (10) Cl.** ..... **12-12**

(52) **U.S. Cl.**  
USPC ..... **D12/128**

(58) **Field of Classification Search**  
USPC ..... D12/128-133  
CPC ..... A61G 1/04; A61G 1/00; A61G 1/044;  
A61G 1/048; A61G 1/0212; A61G 1/003;  
A61G 1/0237; A61G 1/0231; A61G  
1/0262; A61G 1/052; A61G  
1/0562; A61G 1/0567; A61G  
7/0504; A61G 7/103; A61G 7/1046;  
A61G 13/105

See application file for complete search history.

(56) **References Cited**

**U.S. PATENT DOCUMENTS**

D309,589 S \* 7/1990 Hare ..... D12/128  
D346,346 S \* 4/1994 Johnson ..... D12/128  
D371,333 S \* 7/1996 Fennell ..... D12/128

(Continued)

*Primary Examiner* — Charles Hanson

(74) *Attorney, Agent, or Firm* — Damian Wasserbauer;  
Wasserbauer Law LLC

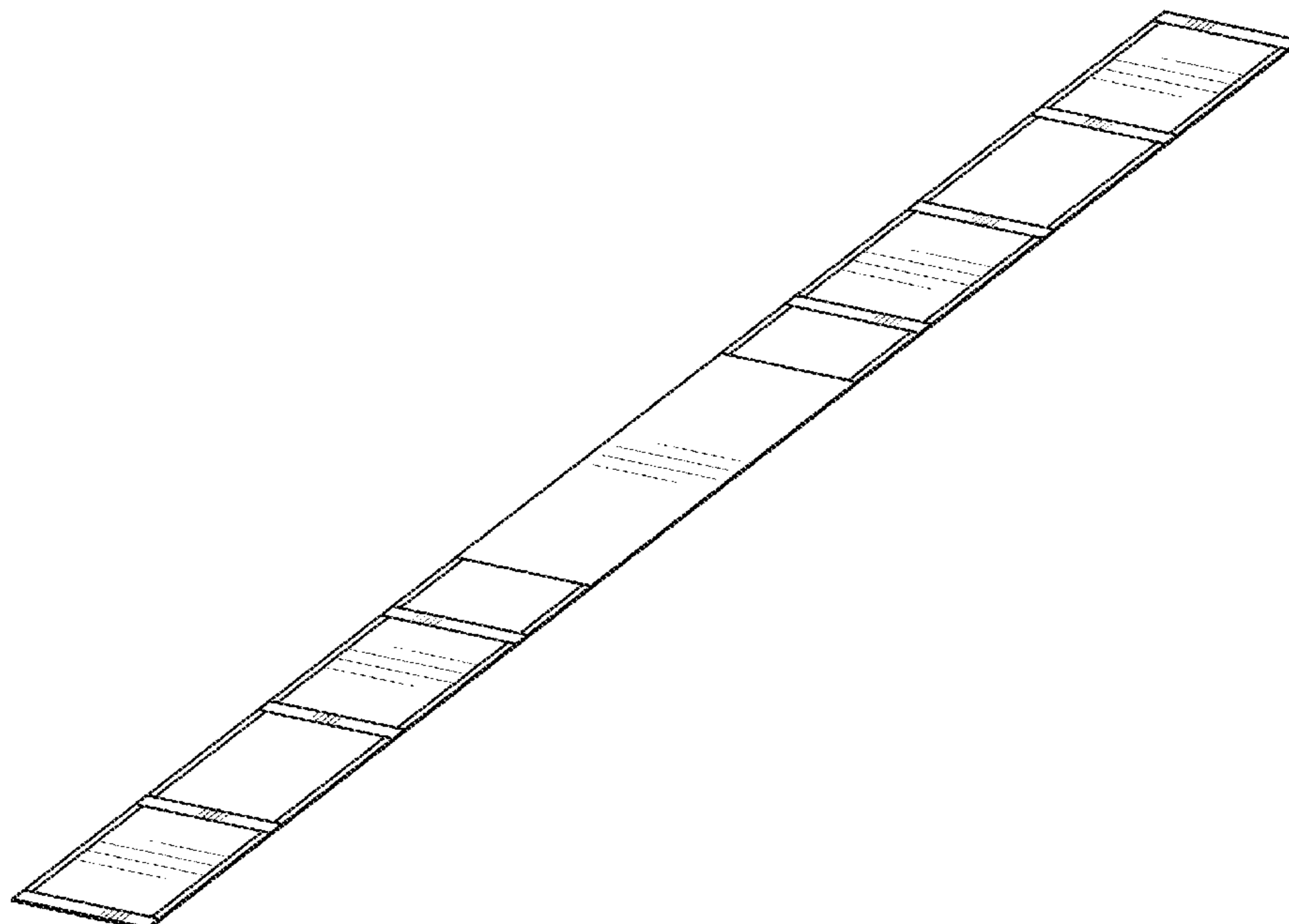
(57) **CLAIM**

The ornamental design for a mobility assistance sling, as shown and described.

**DESCRIPTION**

FIG. 1 is a perspective of a mobility assistance sling in accordance with an embodiment of the present invention; FIG. 2 is a bottom view of the mobility assistance sling; FIG. 3 is a top view of the mobility assistance sling; FIG. 4 is a side view of the mobility assistance sling; FIG. 5 is a side view of the mobility assistance sling; FIG. 6 is an end view of the mobility assistance sling; FIG. 7 is an end view of the mobility assistance sling; FIG. 8 is a side, cross-sectional view illustrating the fabric and plate construction of the mobility assistance sling taken along lines 8-8 of FIG. 3; FIG. 9 is a side, cross-sectional view illustrating the fabric and plate construction of the mobility assistance sling illustrating the flexibility; FIG. 10 is a side, cross-sectional view illustrating the fabric and plate construction of the mobility assistance sling taken along lines 10-10 of FIG. 8; FIG. 11 is a side view of the mobility assistance sling illustrating the folded sling; and, FIG. 12 is perspective view of the mobility assistance sling illustrating person(s) lifting a person or thing. The broken line showing in FIG. 12 is included for the purpose of illustrating environment and forms no part of the claimed design.

**1 Claim, 7 Drawing Sheets**



(56)

**References Cited**

U.S. PATENT DOCUMENTS

5,577,281 A \* 11/1996 Mital ..... A61G 1/01  
5/625  
D397,643 S \* 9/1998 Nicholas ..... D12/128  
D425,455 S \* 5/2000 Vann ..... D12/128  
D437,263 S \* 2/2001 Dahlberg ..... D12/128  
D506,710 S \* 6/2005 Hurtado ..... D12/133  
7,020,912 B2 \* 4/2006 Berge ..... A61G 7/1026  
5/482  
D589,849 S \* 4/2009 Powell ..... D12/128  
D608,253 S \* 1/2010 Giduck ..... D12/128  
D617,691 S \* 6/2010 Smart ..... D12/128  
D690,424 S \* 9/2013 Ponsi ..... D24/183  
D699,158 S \* 2/2014 Calkin ..... D12/128  
D719,881 S \* 12/2014 Smart ..... D12/128  
D732,438 S \* 6/2015 Smart ..... D12/128  
2007/0136950 A1 \* 6/2007 Zuercher ..... A61G 1/01  
5/627

\* cited by examiner

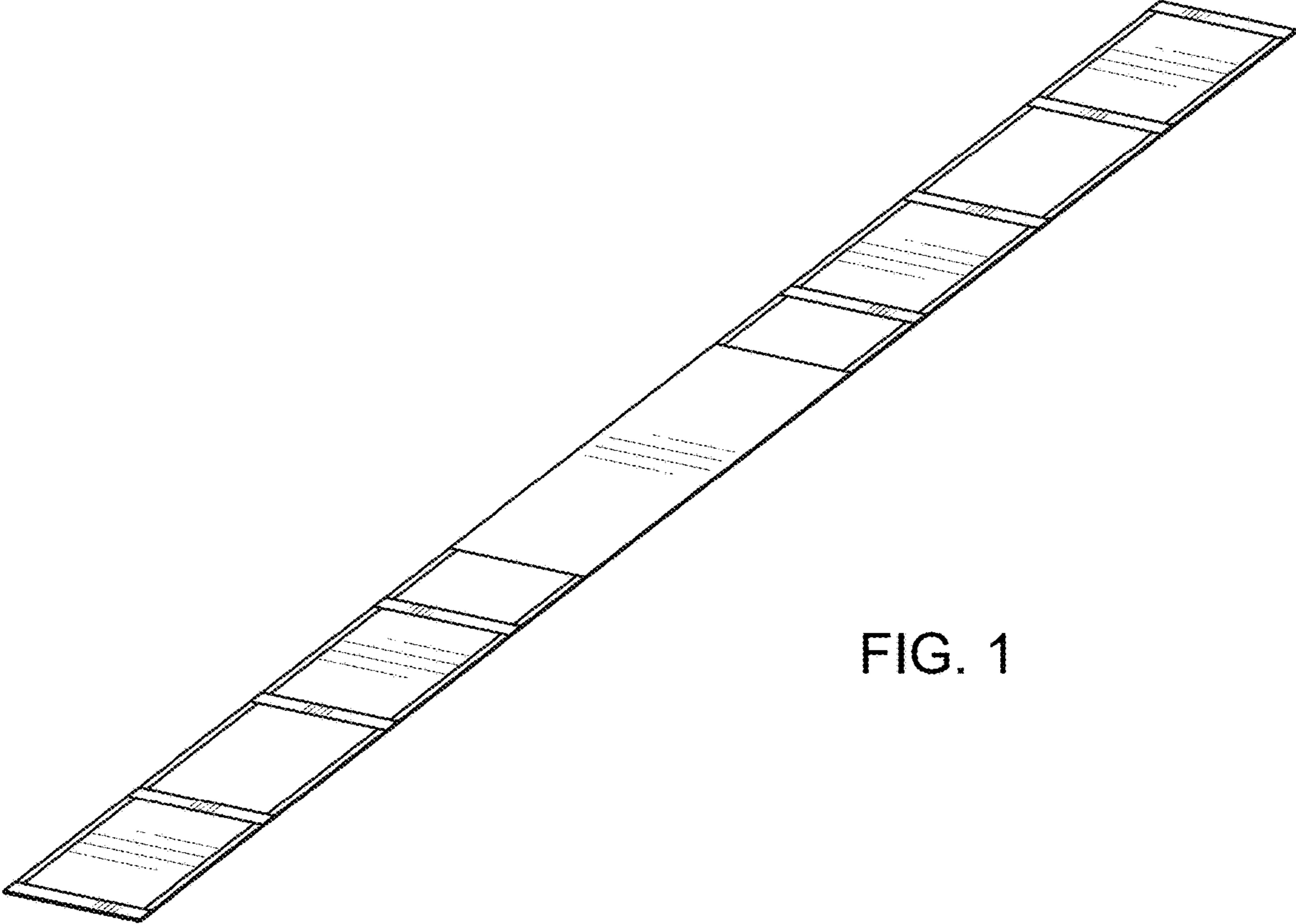


FIG. 1

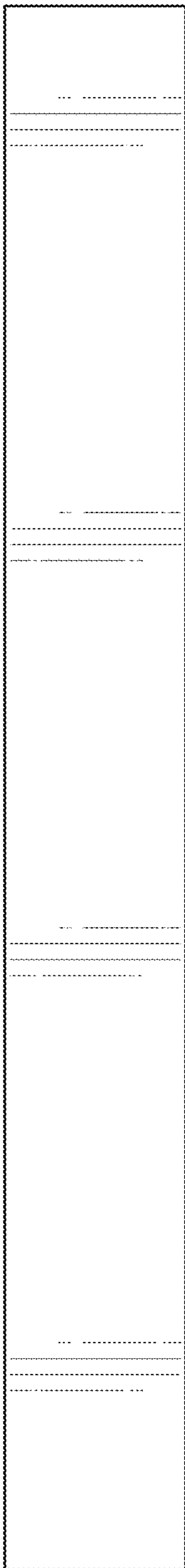


FIG. 2

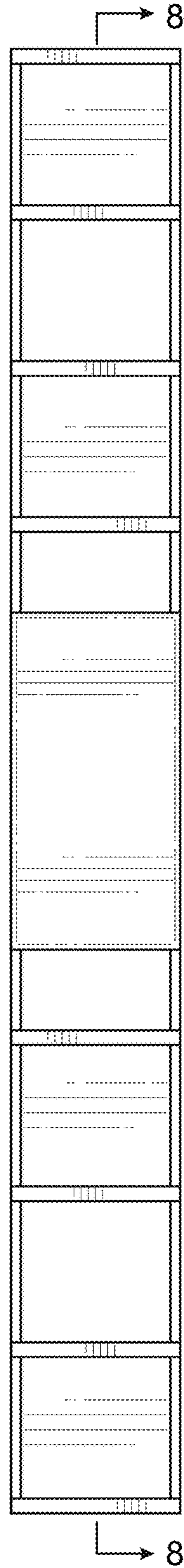


FIG. 3



FIG. 4



FIG. 5

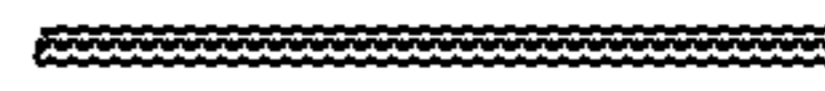


FIG. 6



FIG. 7

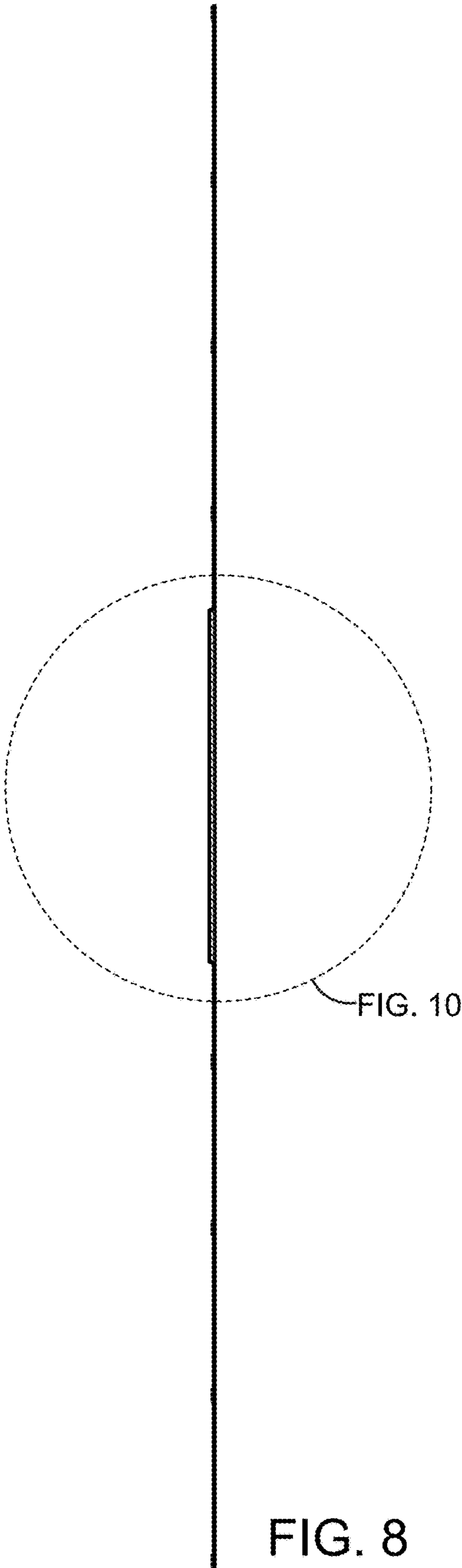


FIG. 10



FIG. 9



FIG. 10



FIG. 11



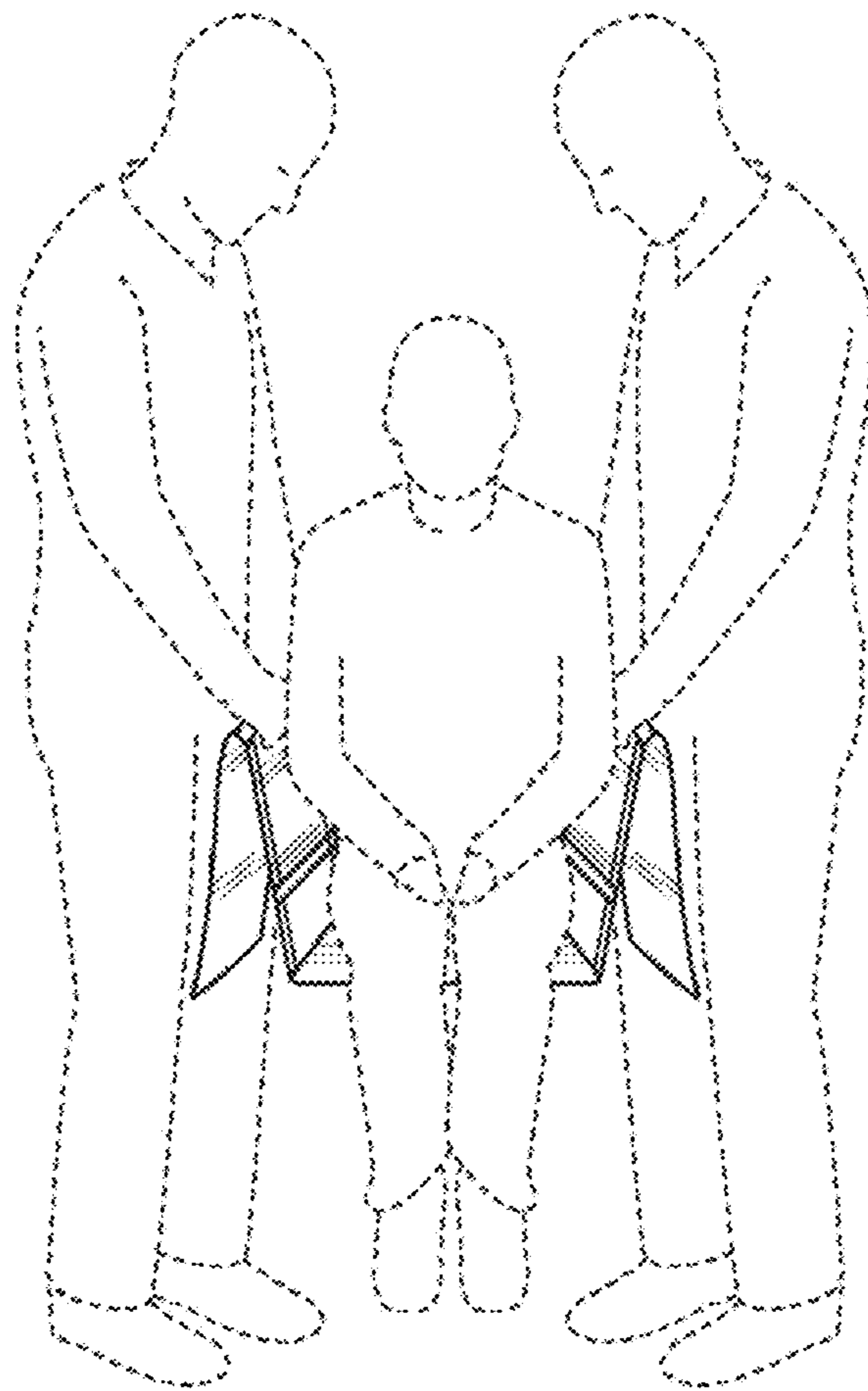


FIG. 12