



US00D777059S

(12) **United States Design Patent**
Zhang et al.

(10) **Patent No.:** **US D777,059 S**
(45) **Date of Patent:** **** Jan. 24, 2017**

- (54) **UNMANNED AERIAL VEHICLE**
- (71) Applicant: **SZ DJI TECHNOLOGY CO., LTD.**,
Shenzhen (CN)
- (72) Inventors: **Yong-Sheng Zhang**, Shenzhen (CN);
Xing-Yuan Chen, Shenzhen (CN);
Wen-Long Xiao, Shenzhen (CN);
Hong-Ju Li, Shenzhen (CN); **Yang-Fan Li**, Shenzhen (CN)
- (73) Assignee: **SZ DJI Technology Co., Ltd.**,
Shenzhen (CN)
- (**) Term: **15 Years**
- (21) Appl. No.: **29/527,048**
- (22) Filed: **May 15, 2015**
- (51) **LOC (10) Cl.** **12-07**
- (52) **U.S. Cl.**
USPC **D12/16.1; D21/441**
- (58) **Field of Classification Search**
USPC D12/16.1, 319, 323-345; D21/436, 438,
D21/439, 440, 441, 447, 448, 449, 450,
D21/452, 453, 454, 455
CPC B64C 1/062; B64C 39/024; B64C 27/08
See application file for complete search history.

- (56) **References Cited**
U.S. PATENT DOCUMENTS
D628,658 S * 12/2010 Wurm D21/442
D691,514 S * 10/2013 Wang D12/16.1
D710,452 S * 8/2014 Barajas D12/16.1
D710,453 S * 8/2014 Barajas D12/16.1
D710,454 S * 8/2014 Barajas D12/16.1
8,973,861 B2 * 3/2015 Zhou A63H 27/12
244/17.23
9,061,763 B1 * 6/2015 Christensen A63H 17/28
9,099,902 B2 * 8/2015 Chen H02K 5/225
D741,779 S * 10/2015 Hsiao D12/16.1
D751,490 S * 3/2016 Chen D12/16.1

- D751,491 S * 3/2016 Chen D12/16.1
- 2012/0056041 A1 * 3/2012 Rhee B64C 25/32
244/4 R
- 2012/0078451 A1 * 3/2012 Ohtomo B64C 39/024
701/15
- 2014/0339355 A1 * 11/2014 Olm B64C 27/08
244/17.23
- 2015/0051755 A1 * 2/2015 Erhart A63H 27/12
701/2
- 2015/0321755 A1 * 11/2015 Martin B64C 27/50
244/17.23

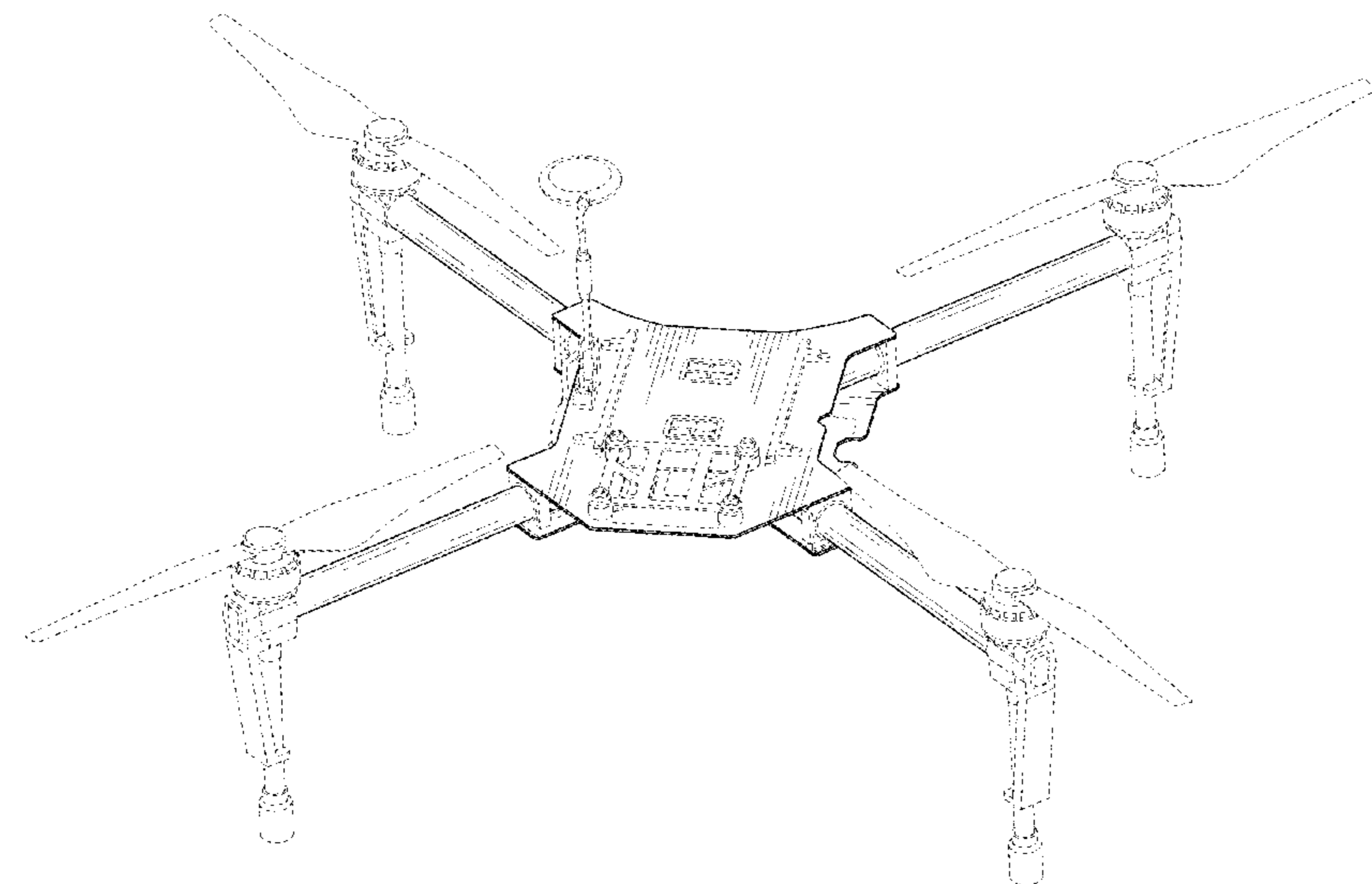
(Continued)

Primary Examiner — Robert M Spear
Assistant Examiner — Marissa J Cash
(74) *Attorney, Agent, or Firm* — Sterne, Kessler,
Goldstein & Fox P.L.L.C.

(57) **CLAIM**
The ornamental design of an unmanned aerial vehicle, as shown and described.

DESCRIPTION
FIG. 1 is a perspective view of an unmanned aerial vehicle showing our design.
FIG. 2 is a front elevational view of the unmanned aerial vehicle of FIG. 1.
FIG. 3 is a rear elevational view of the unmanned aerial vehicle of FIG. 1.
FIG. 4 is a left-side elevational view of the unmanned aerial vehicle of FIG. 1.
FIG. 5 is a right-side elevational view of the unmanned aerial vehicle of FIG. 1;
FIG. 6 is a top plan view of the unmanned aerial vehicle of FIG. 1; and,
FIG. 7 is a bottom plan view of the unmanned aerial vehicle of FIG. 1.
The broken lines in the figures show portions of the unmanned aerial vehicle that form no part of the claimed design.

1 Claim, 7 Drawing Sheets



(56)

References Cited

U.S. PATENT DOCUMENTS

2015/0336670 A1* 11/2015 Zhang B64C 1/00
244/119
2015/0344136 A1* 12/2015 Dahlstrom B64C 39/024
701/3
2016/0001879 A1* 1/2016 Johannesson B64C 27/50
416/142
2016/0122016 A1* 5/2016 Mintchev B64C 39/024
244/17.23
2016/0122017 A1* 5/2016 Welker B64C 39/024
244/17.23
2016/0144734 A1* 5/2016 Wang B60L 11/1822
701/17
2016/0185454 A1* 6/2016 Hutson B64C 39/024
244/17.23
2016/0198088 A1* 7/2016 Wang H04N 5/23238
348/36
2016/0236777 A1* 8/2016 Tang B64C 39/024
2016/0244176 A1* 8/2016 Xiao B60L 7/10

* cited by examiner

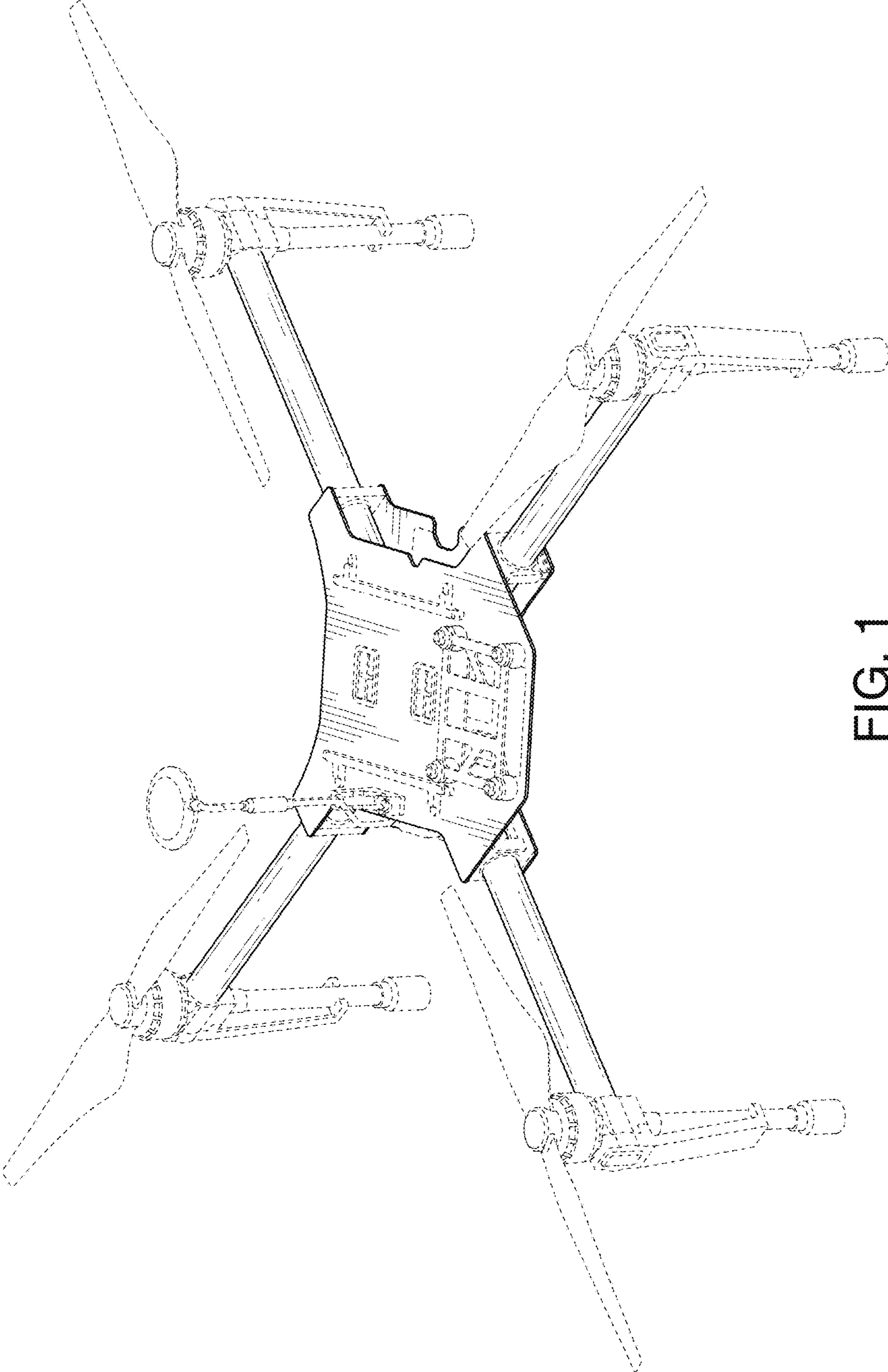


FIG. 1

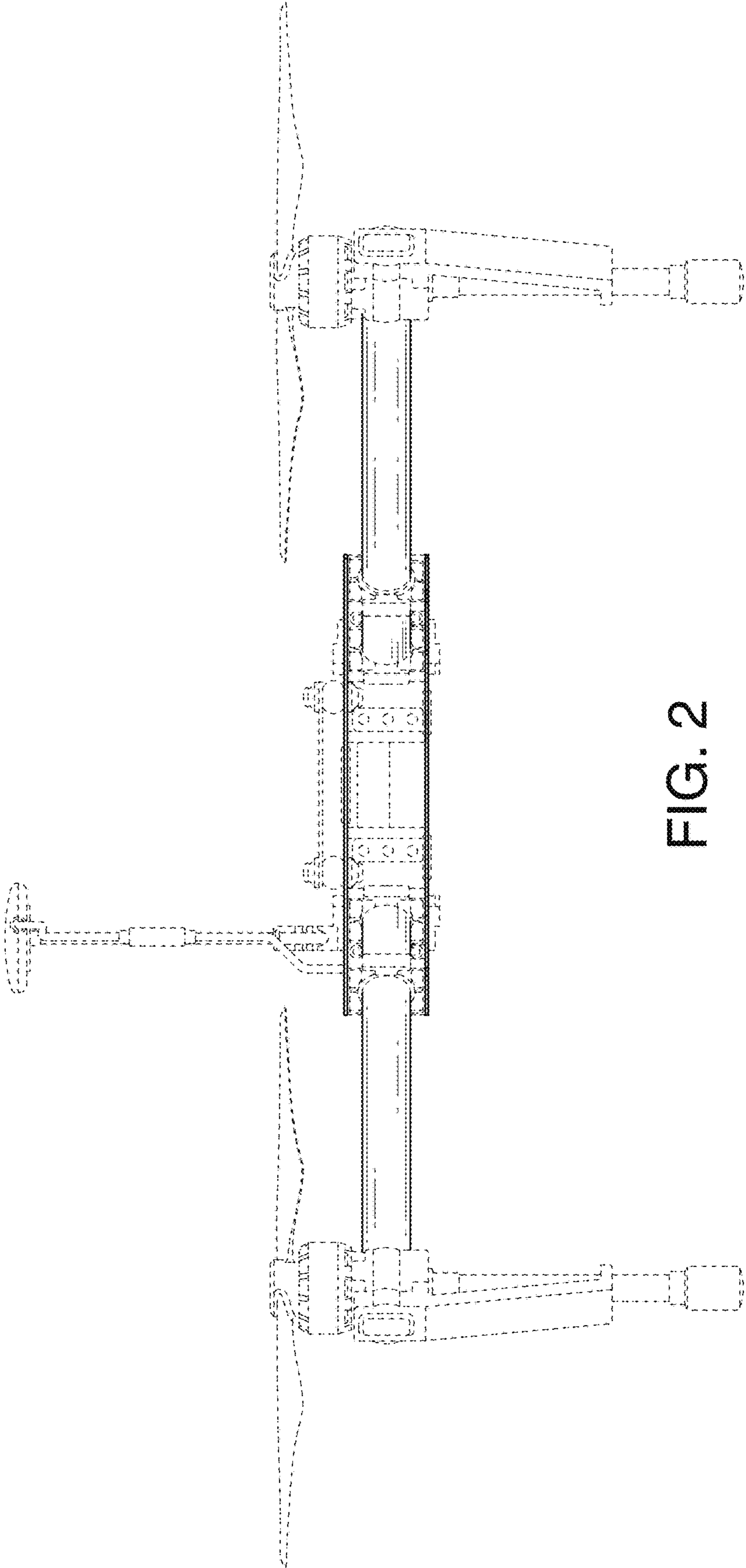


FIG. 2

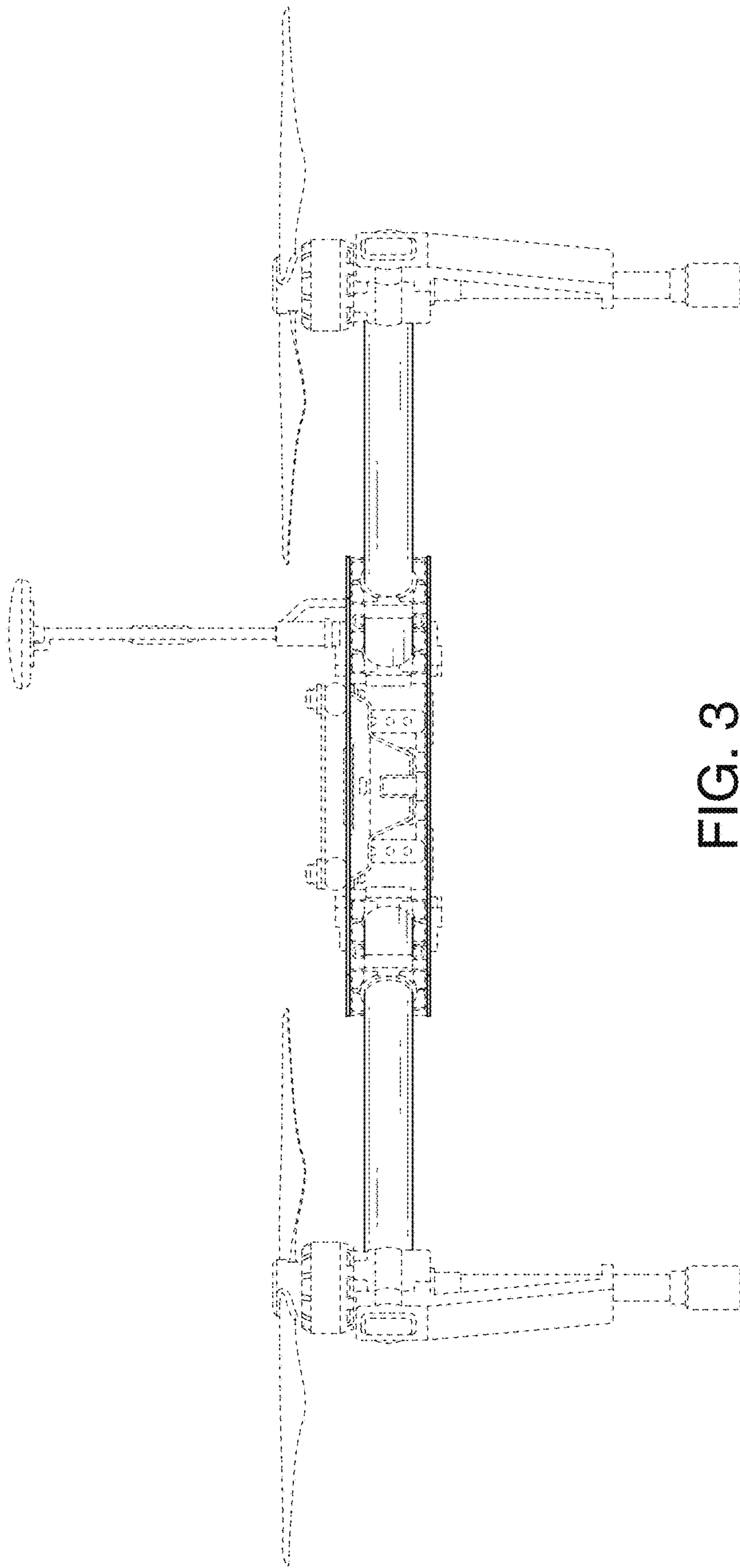


FIG. 3

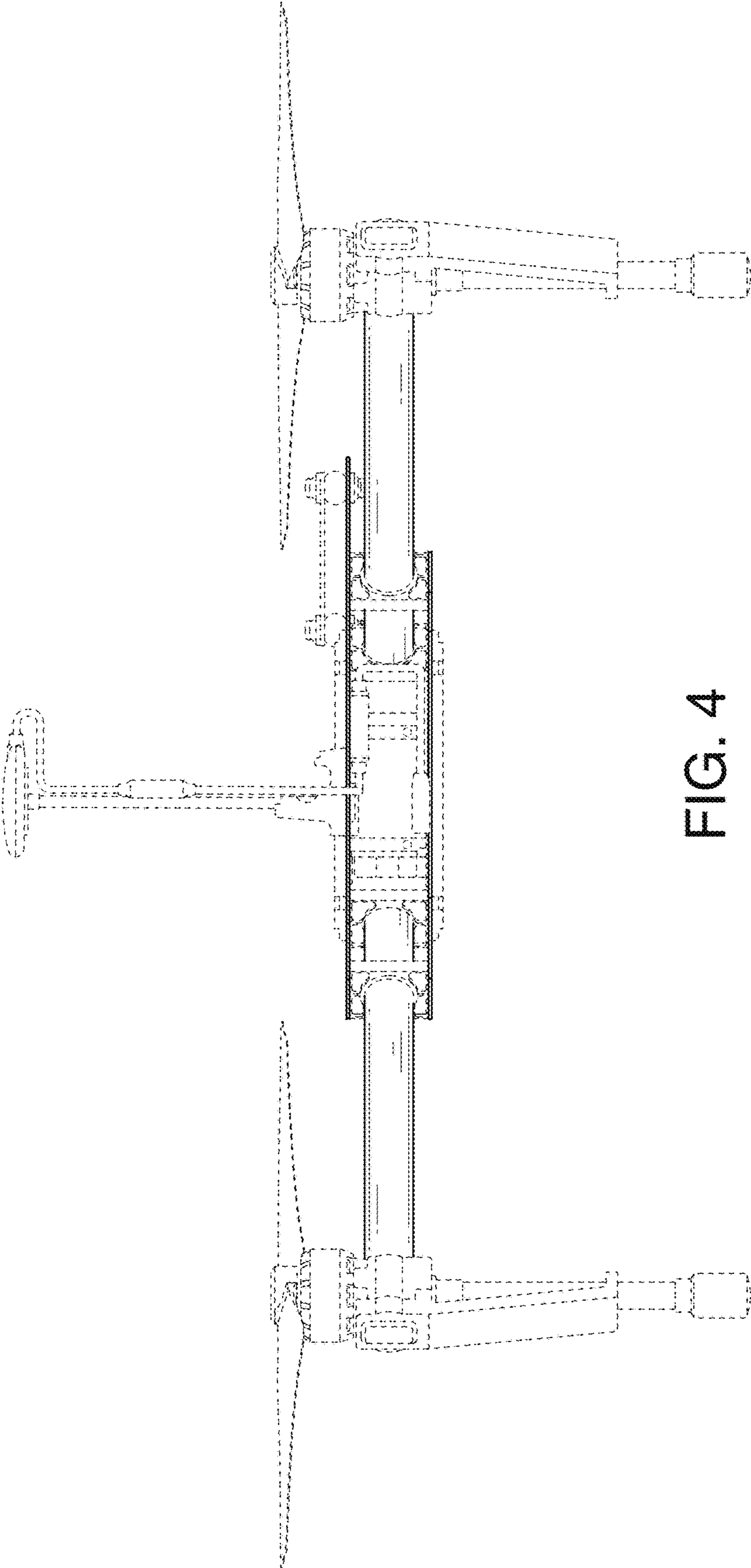


FIG. 4

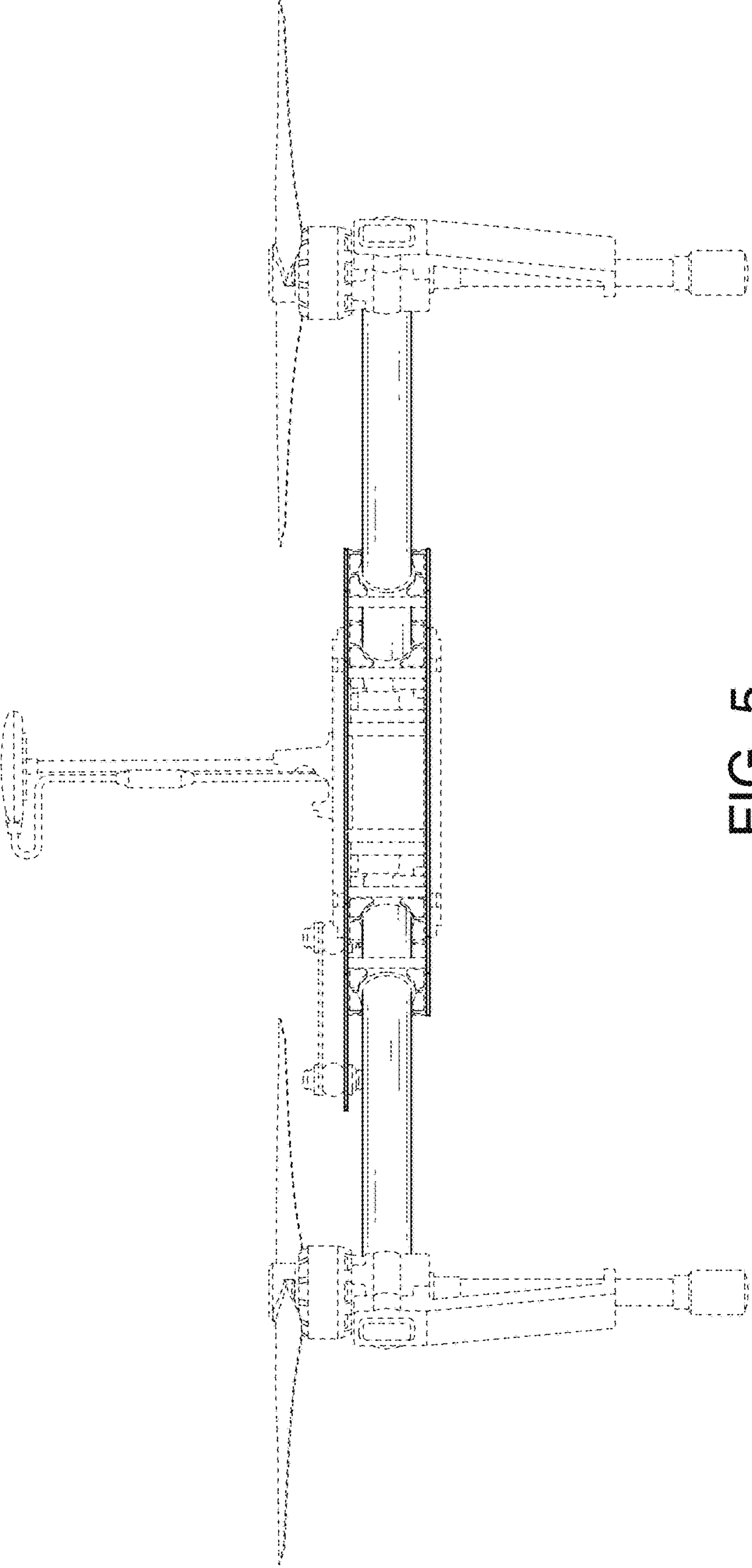


FIG. 5

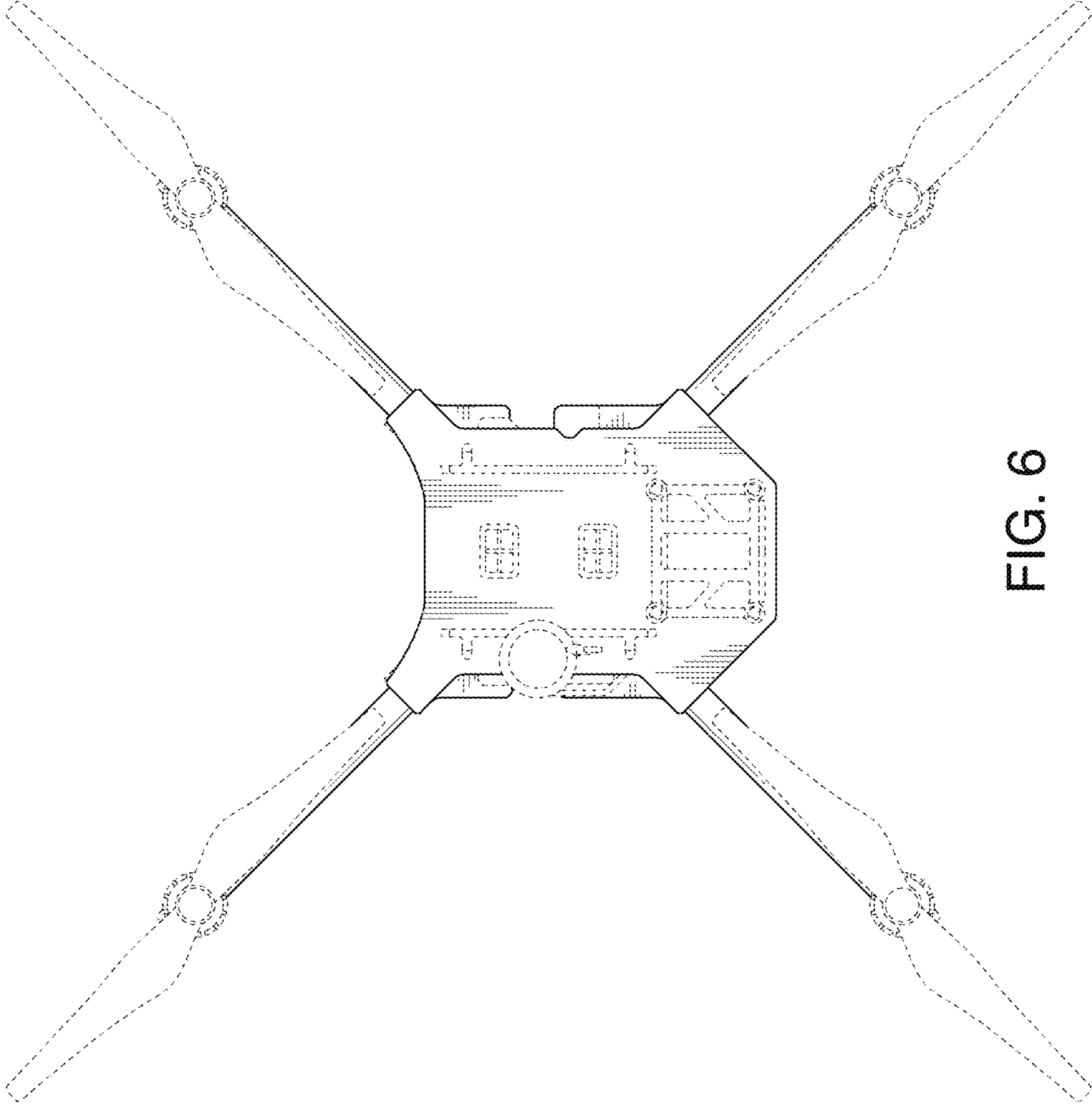


FIG. 6

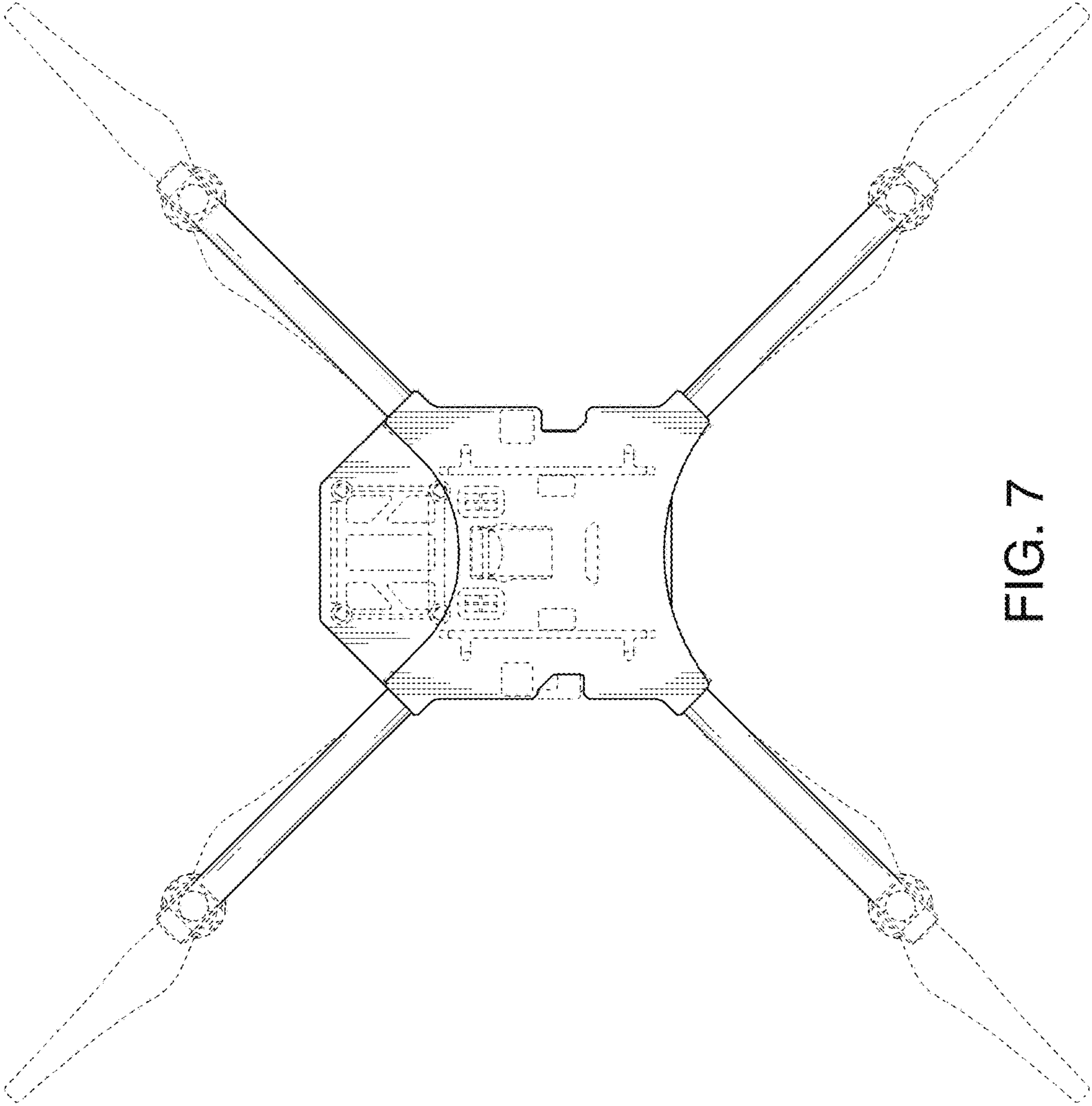


FIG. 7