



US00D777056S

(12) **United States Design Patent**
Ananda et al.

(10) **Patent No.:** **US D777,056 S**
(45) **Date of Patent:** **** Jan. 24, 2017**

- (54) **PLANTER BAG**
- (71) Applicants: **Sattva Ananda**, Santa Fe, NM (US);
John M. Cross, Santa Fe, NM (US)
- (72) Inventors: **Sattva Ananda**, Santa Fe, NM (US);
John M. Cross, Santa Fe, NM (US)
- (**) Term: **15 Years**
- (21) Appl. No.: **29/531,726**
- (22) Filed: **Jun. 29, 2015**
- (51) **LOC (10) Cl.** **11-02**
- (52) **U.S. Cl.**
USPC **D11/143**
- (58) **Field of Classification Search**
USPC D6/403–405, 556–558; D11/143–156,
D11/164; D7/509, 523, 532; D9/702–706,
D9/711, 713
CPC A01G 9/02; A01G 9/021; A01G 9/023;
A01G 9/024; A01G 9/04
See application file for complete search history.

- 4,353,497 A * 10/1982 Bustin B65D 75/008
383/104
- D268,256 S * 3/1983 Peterson D11/155
- D287,217 S * 12/1986 Napier D7/400
- 5,417,364 A * 5/1995 Shaw B65D 5/48024
229/120.02
- D361,300 S * 8/1995 Weder D11/152
- D374,204 S * 10/1996 Weder D11/143
- D387,700 S * 12/1997 Shieh D11/143
- D387,701 S * 12/1997 Shieh D11/152
- D399,168 S * 10/1998 Weder D11/164
- D399,169 S * 10/1998 Weder D11/164
- 6,068,181 A * 5/2000 Cai B65D 31/005
206/431
- D640,932 S * 7/2011 Kasha D9/703

* cited by examiner

Primary Examiner — Elizabeth Albert

(74) *Attorney, Agent, or Firm* — Gina T. Constant, Esq.

(57) **CLAIM**

The ornamental design for a planter bag, as shown and described.

(56) **References Cited**

U.S. PATENT DOCUMENTS

- 289,102 A * 11/1883 Holden A01G 27/02
47/65.5
- 2,165,277 A * 7/1939 Koch B65D 3/06
229/405
- 3,434,652 A * 3/1969 Shore B65D 75/48
229/117.15
- 3,580,473 A * 5/1971 Gill B65D 3/08
229/104
- 3,935,993 A * 2/1976 Doyen B31B 37/00
383/104
- D254,659 S * 4/1980 Karotseris 47/66.4

DESCRIPTION

FIG. 1 is a front perspective view

FIG. 2 is a front view

FIG. 3 is a rear view

FIG. 4 is a right side view

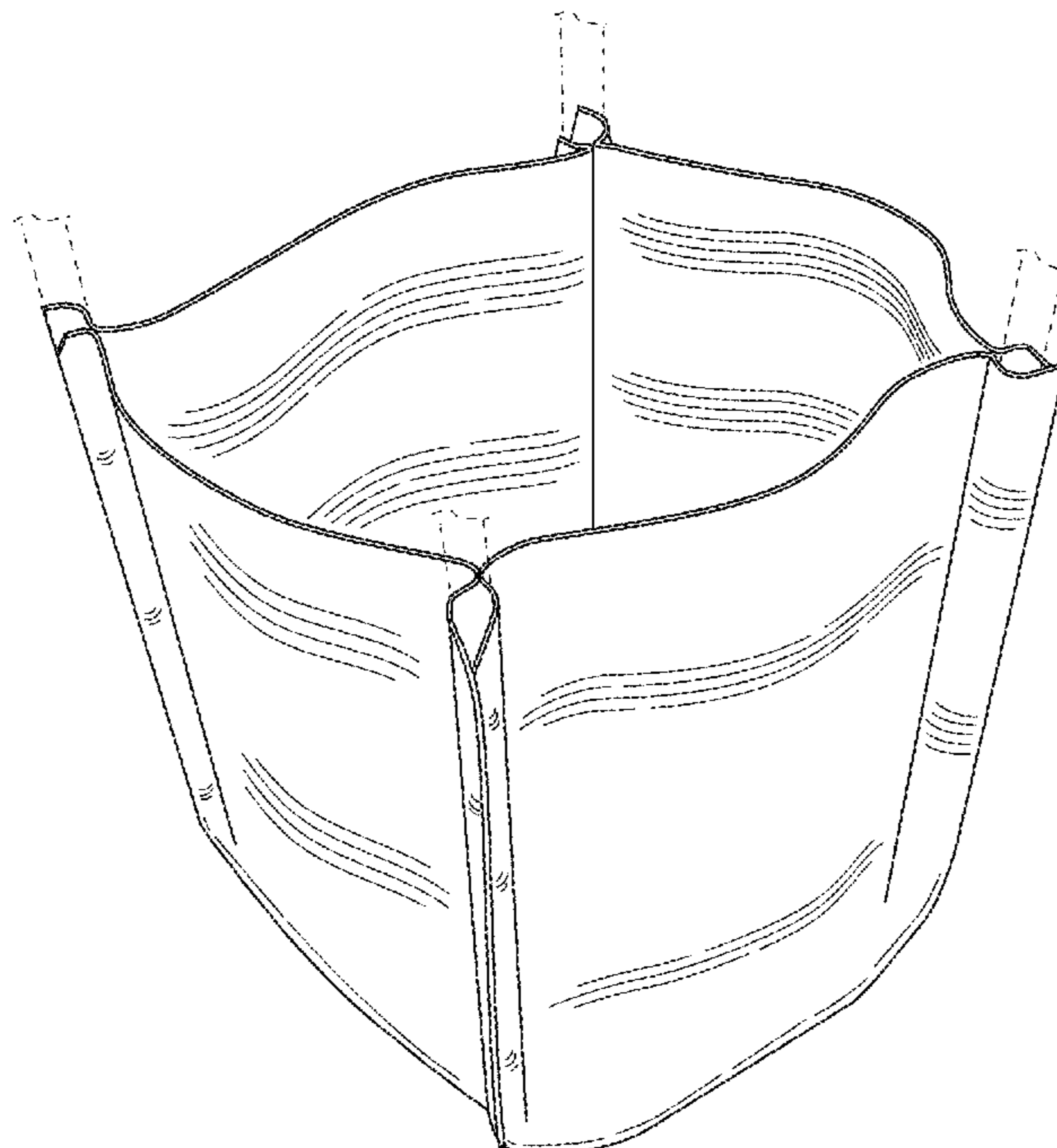
FIG. 5 is a left side view

FIG. 6 is a top view; and,

FIG. 7 is a bottom view.

The broken lines in FIGS. 1 to 6 are included for the purpose of showing features that form no part of the claimed design.

1 Claim, 7 Drawing Sheets



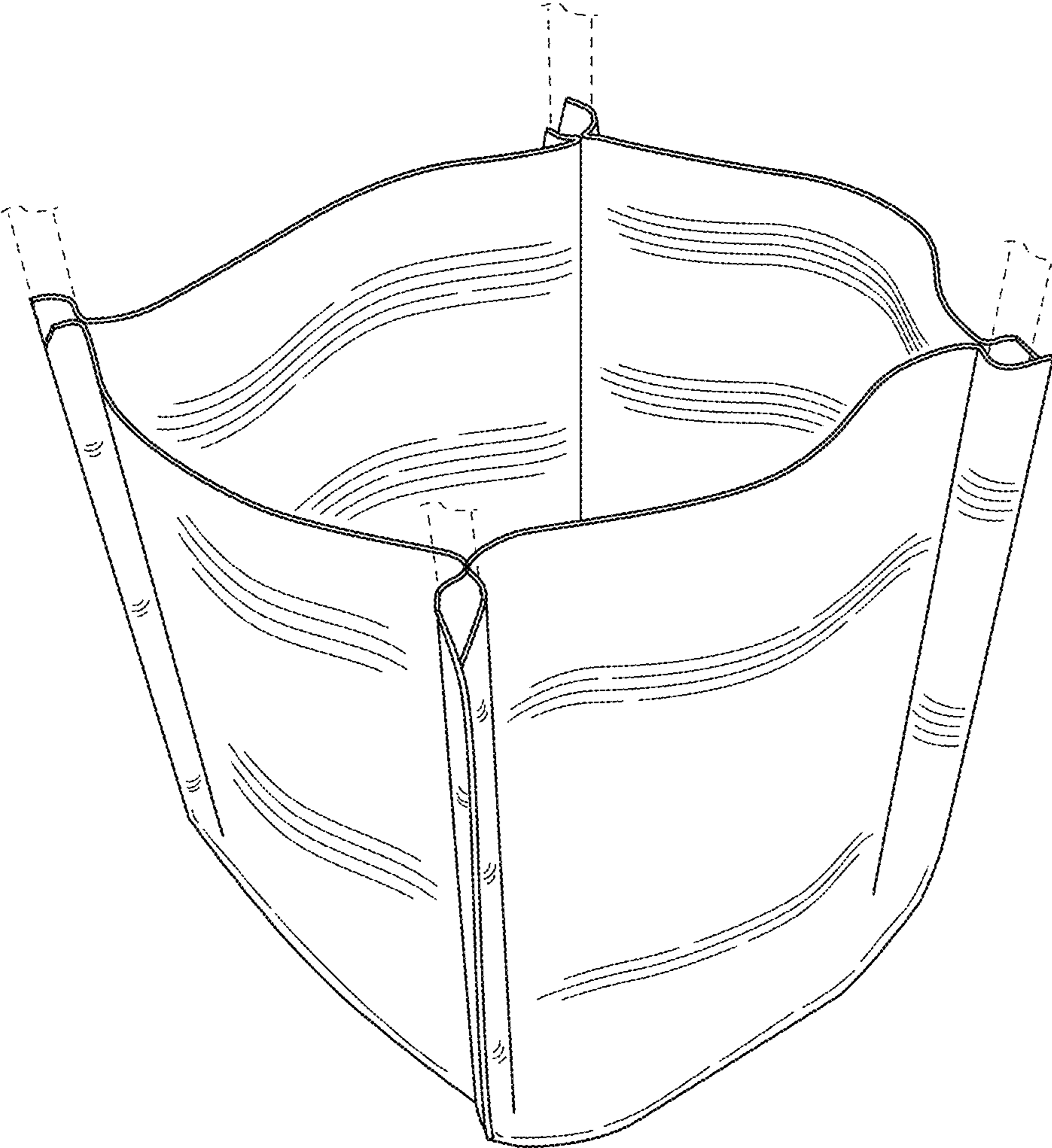


FIG.1

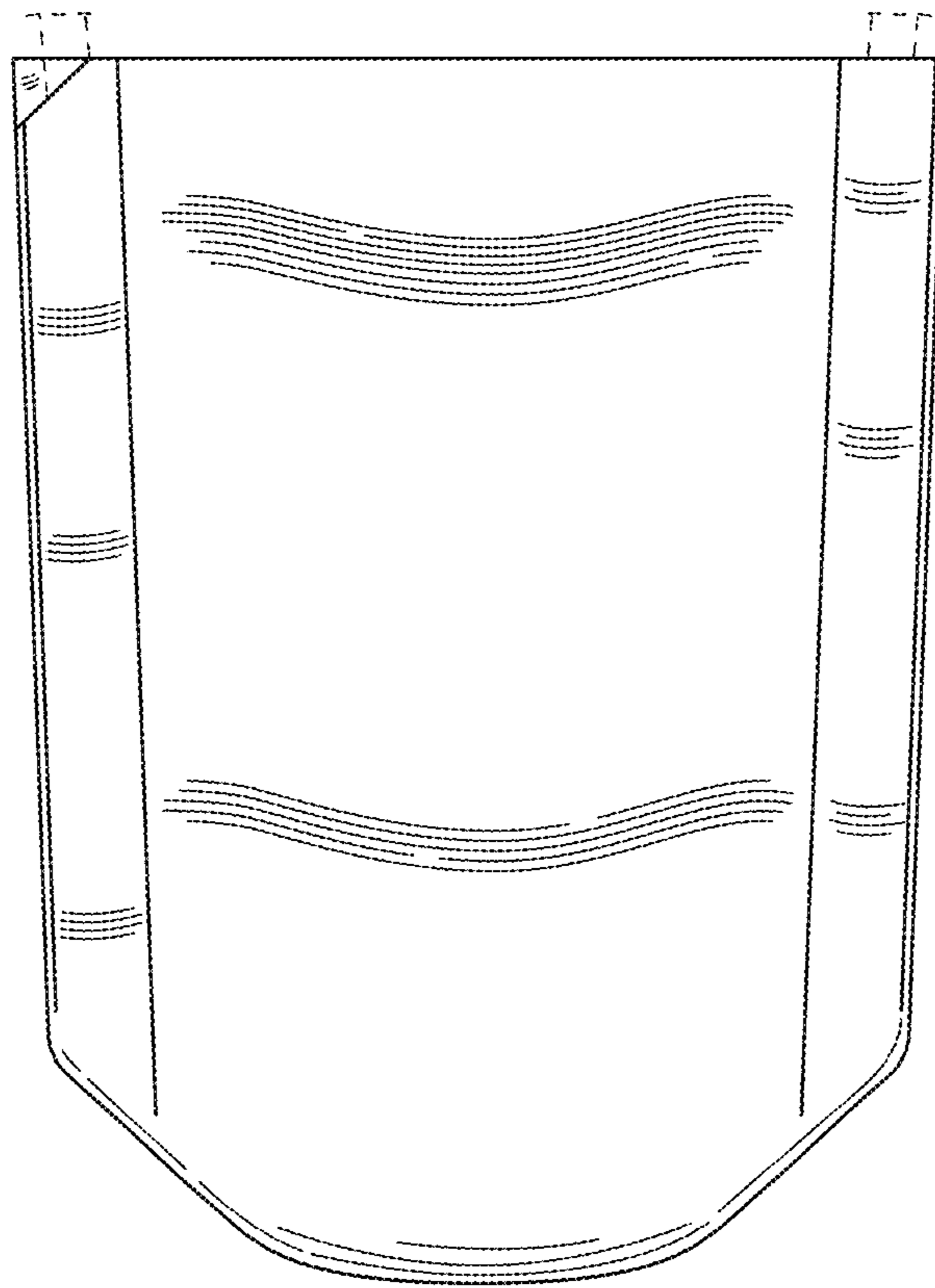


FIG.2

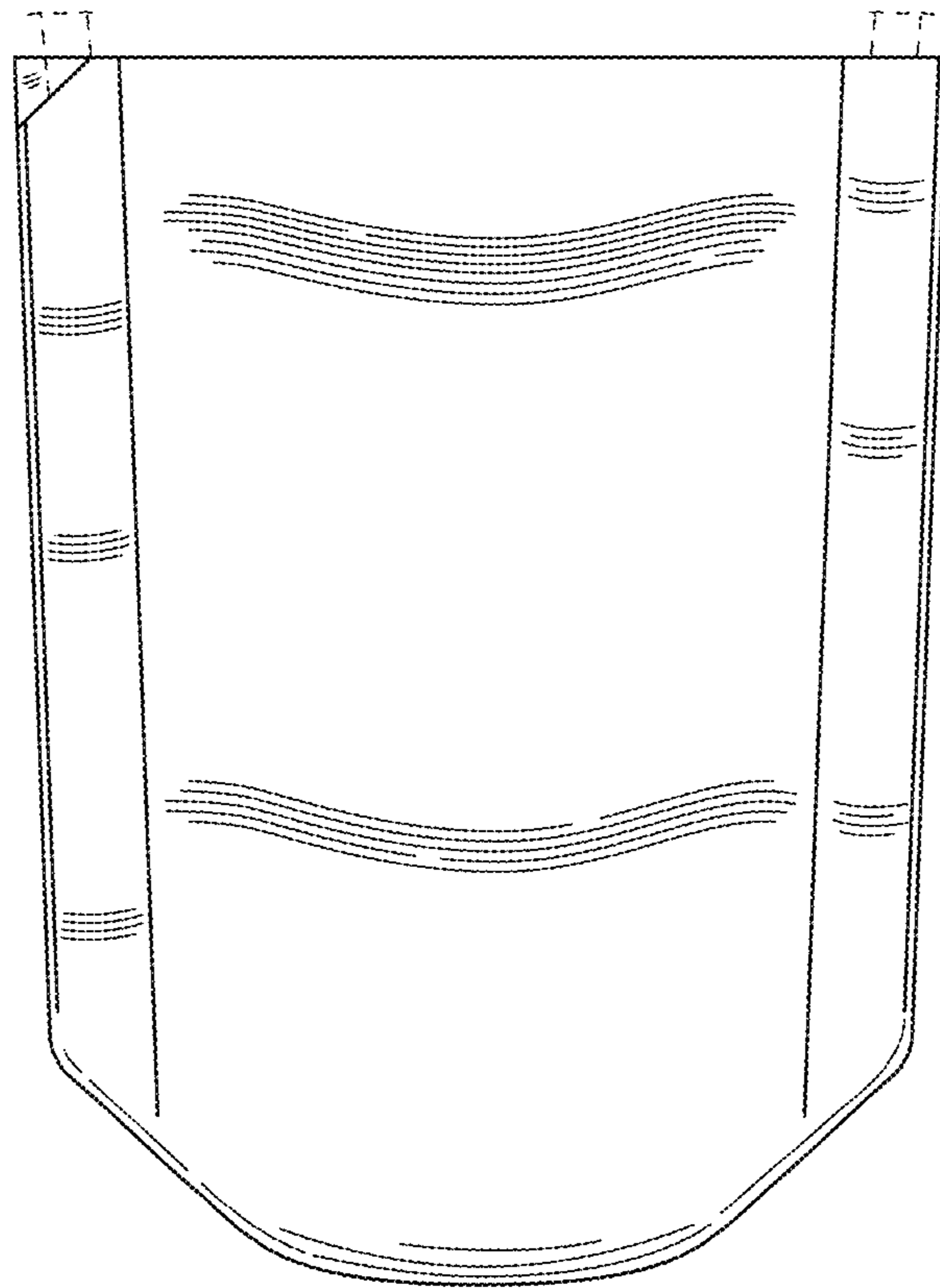


FIG.3

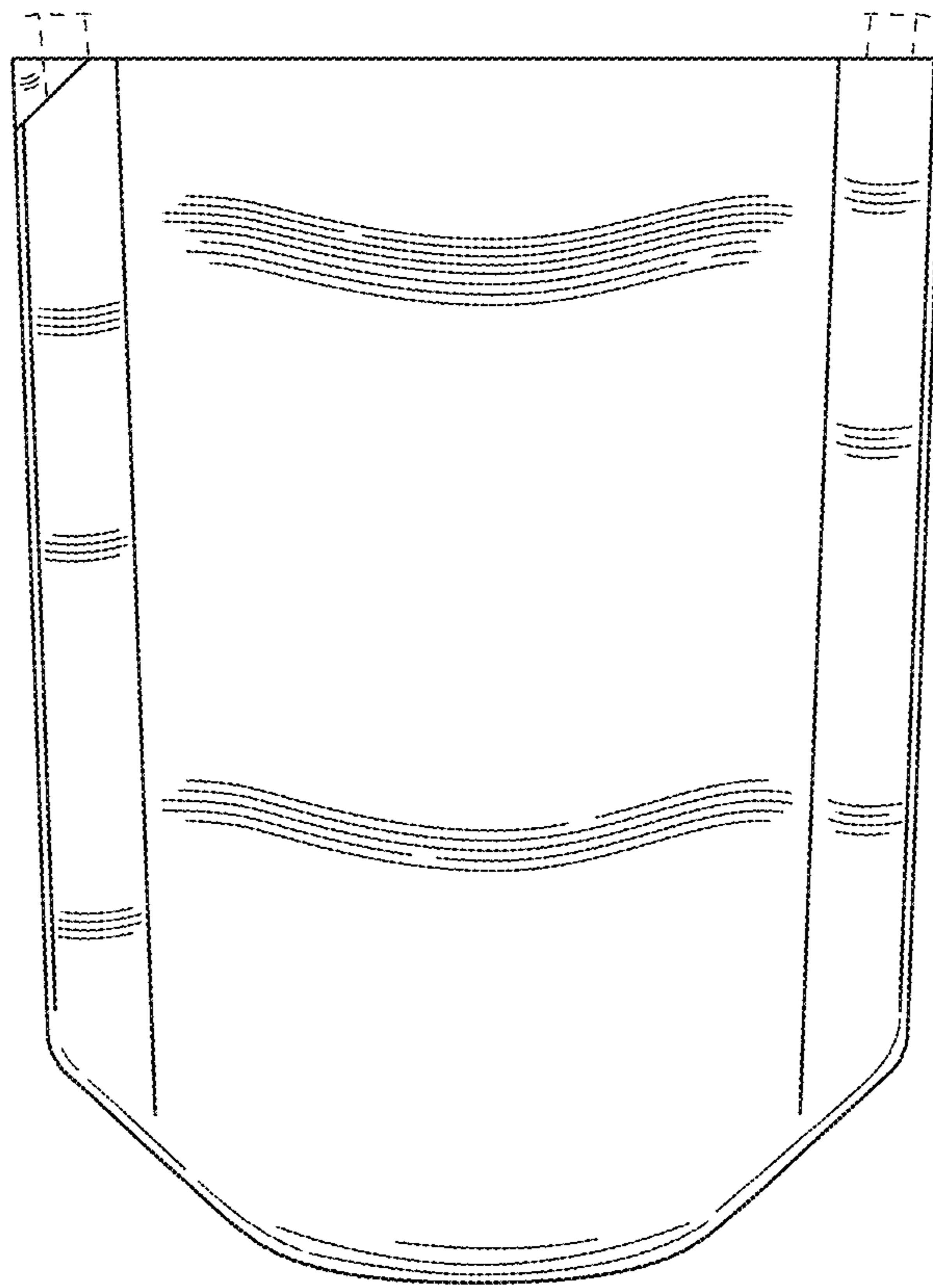


FIG.4

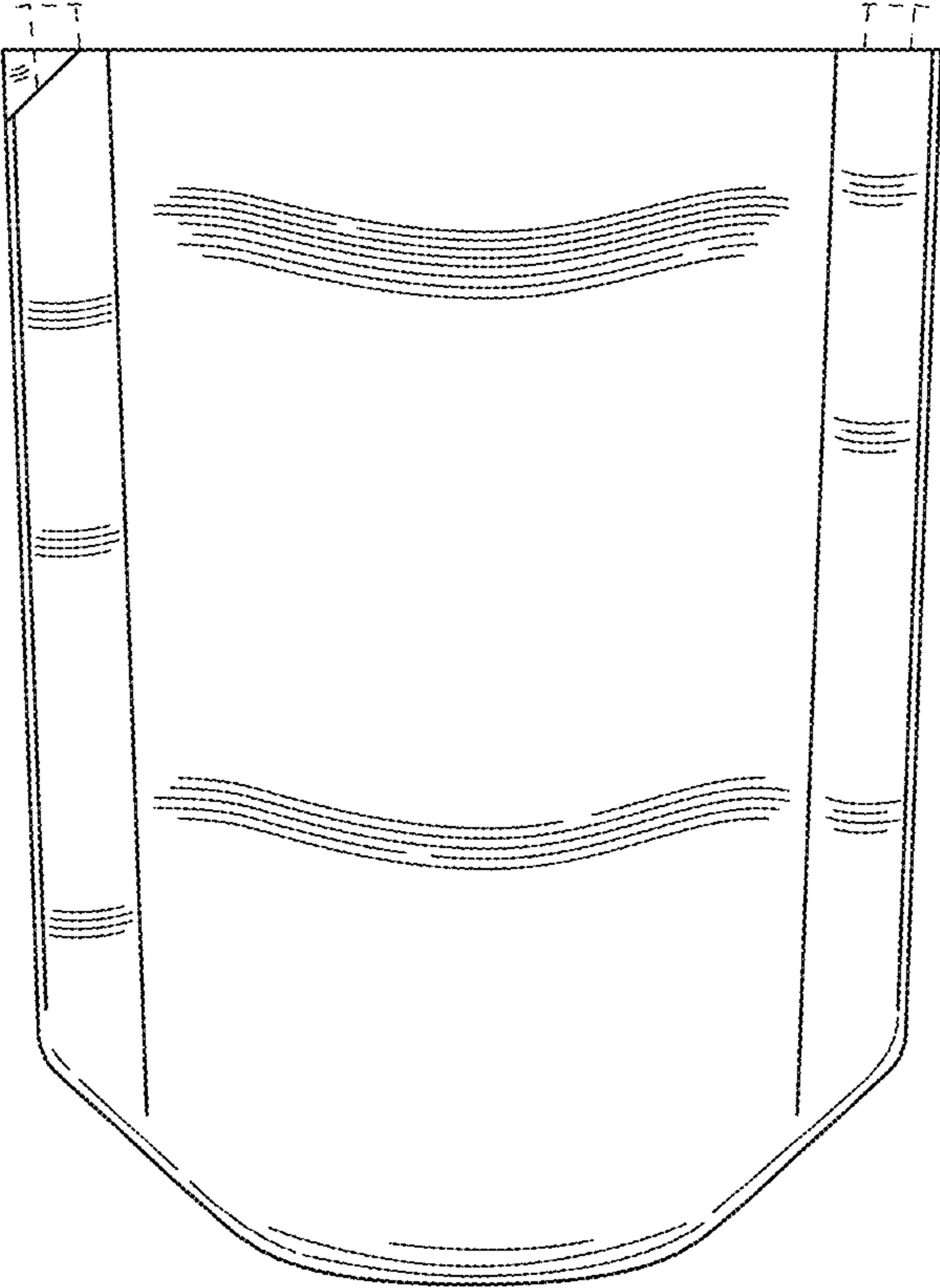


FIG.5

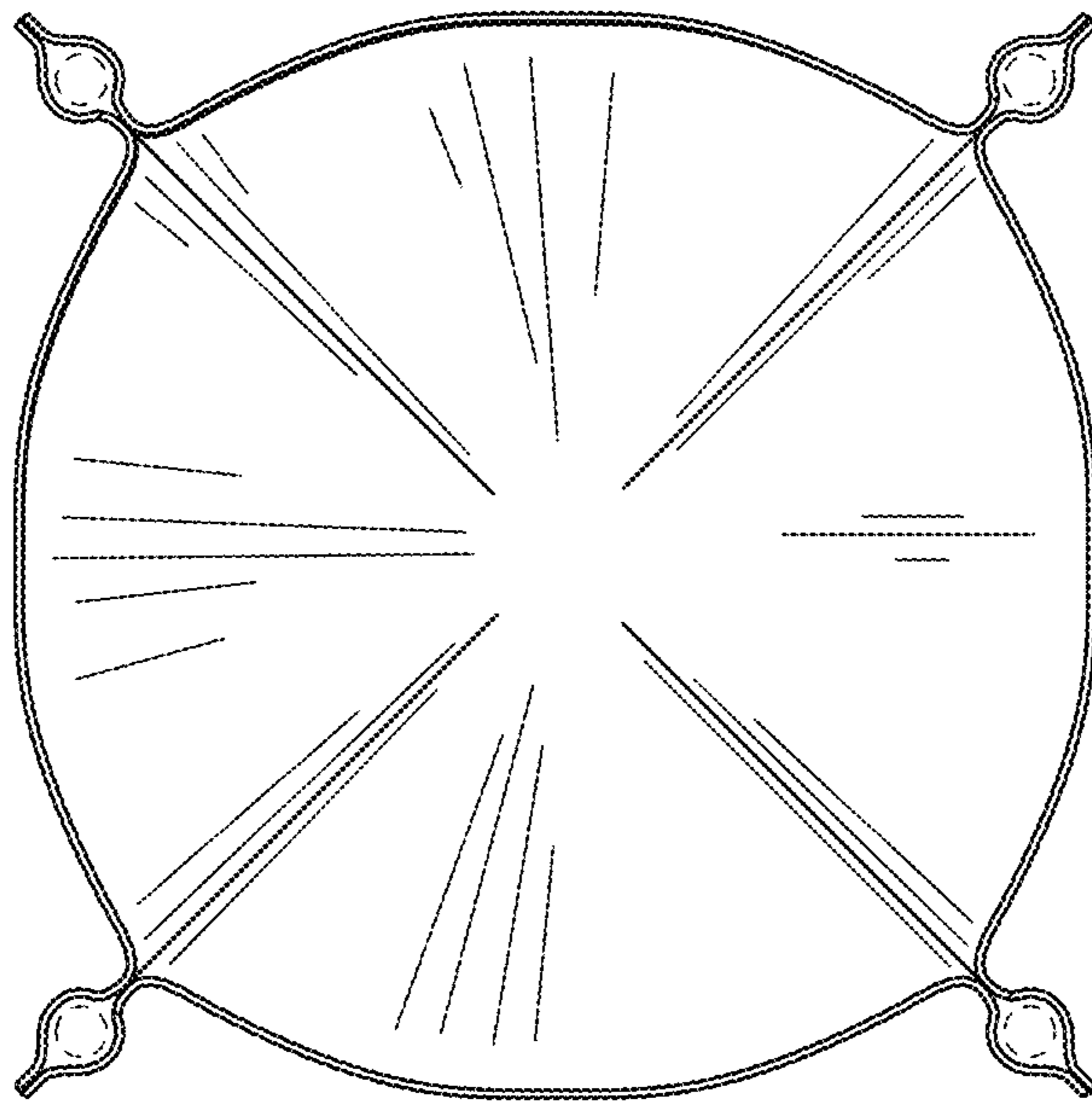


FIG.6

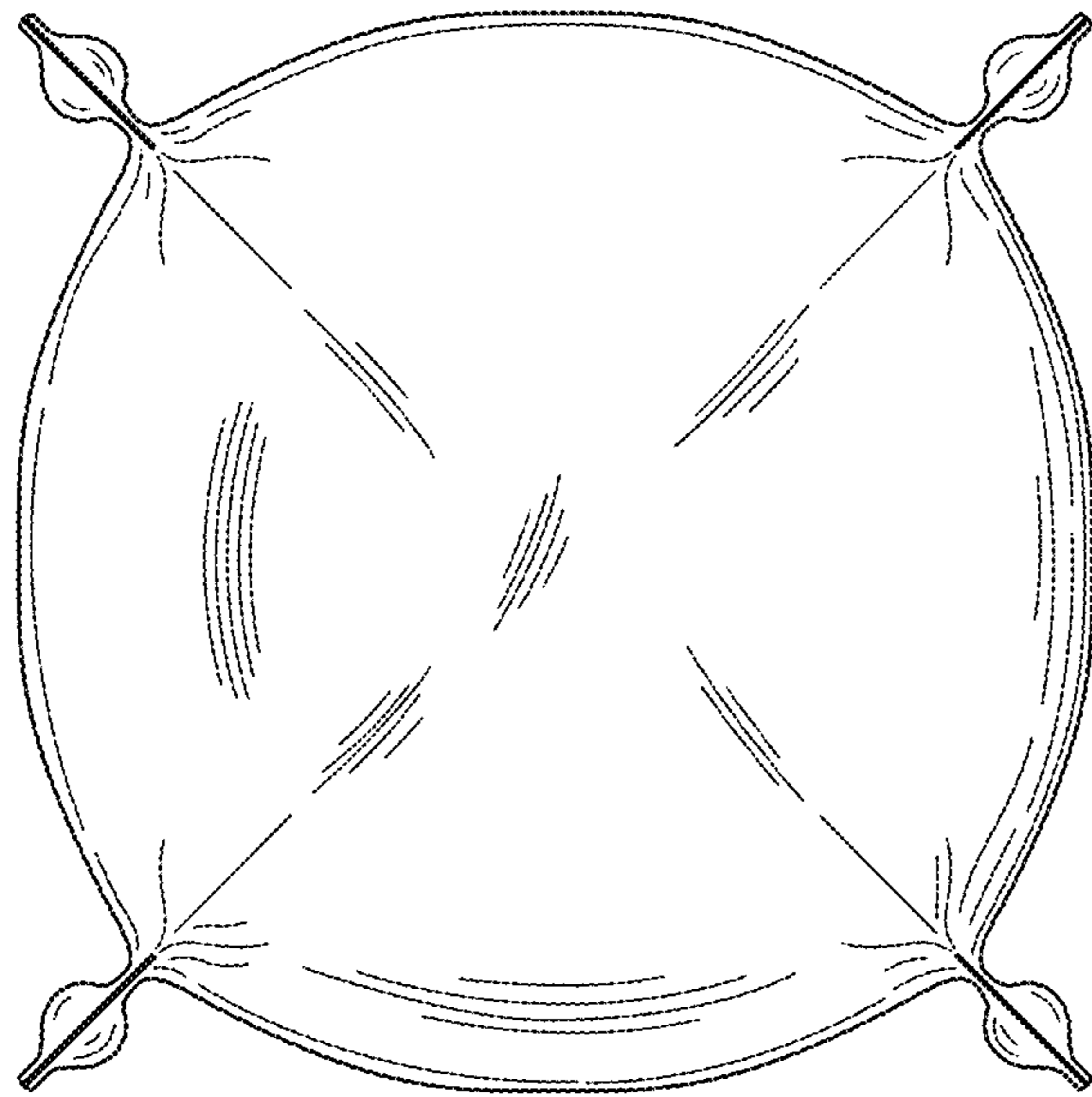


FIG.7