



US00D777053S

(12) **United States Design Patent**
Atwell

(10) **Patent No.:** **US D777,053 S**

(45) **Date of Patent:** **** Jan. 24, 2017**

(54) **SET OF INTERLOCKING BEADS**

(71) Applicant: **Meredith Atwell**, Tampa, FL (US)

(72) Inventor: **Meredith Atwell**, Tampa, FL (US)

(**) Term: **14 Years**

(21) Appl. No.: **29/518,119**

(22) Filed: **Feb. 20, 2015**

(51) **LOC (10) Cl.** **11-01**

(52) **U.S. Cl.**
USPC **D11/86**

(58) **Field of Classification Search**

USPC D11/1-2, 7, 40-44, 46-49, 53, 56, 57,
D11/59-61, 63, 65, 79-83, 86-87, 89-90,
D11/91-92, 99, 101, 106, 114-116,
D11/200-201; 63/3, 3.1, 12-14.9
CPC A44C 5/102; A44C 27/006; A44C 15/003;
A44C 15/0045; A44C 7/003
See application file for complete search history.

(56) **References Cited**

U.S. PATENT DOCUMENTS

D347,402 S * 5/1994 Kemp D11/86
5,987,718 A * 11/1999 Kelly A44B 9/18
24/674
D532,714 S * 11/2006 Scharr D11/79

D575,664 S * 8/2008 Greer D11/86

* cited by examiner

Primary Examiner — Zenia Bennett

(74) *Attorney, Agent, or Firm* — Thomas E. Lees, LLC

(57) **CLAIM**

The ornamental design for set of interlocking beads, as shown and described.

DESCRIPTION

FIG. 1 is a perspective view showing how two similar beads mate together to form set of interlocking beads;

FIG. 2 is a front elevation view of the set of interlocking beads, looking through a hole of the rightmost bead of FIG. 1;

FIG. 3 is a back elevation view of the set of interlocking beads, looking through a hole of the leftmost bead of FIG. 1;

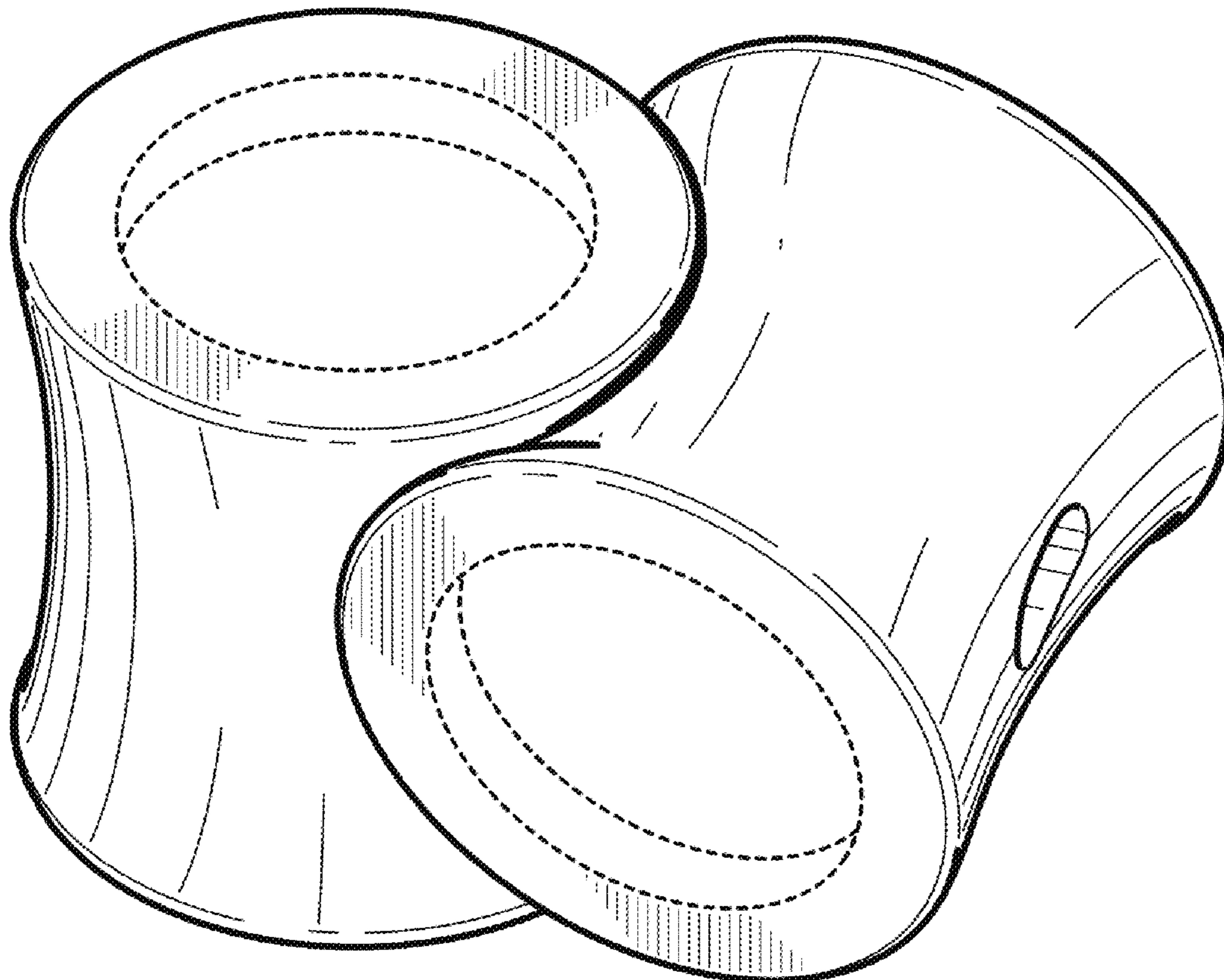
FIG. 4 is a left side elevation view of the set of interlocking beads;

FIG. 5 is a right side elevation view of the set of interlocking beads;

FIG. 6 is a top plan view of the set of interlocking beads; and,

FIG. 7 is a bottom plan view of the set of interlocking beads.

1 Claim, 3 Drawing Sheets



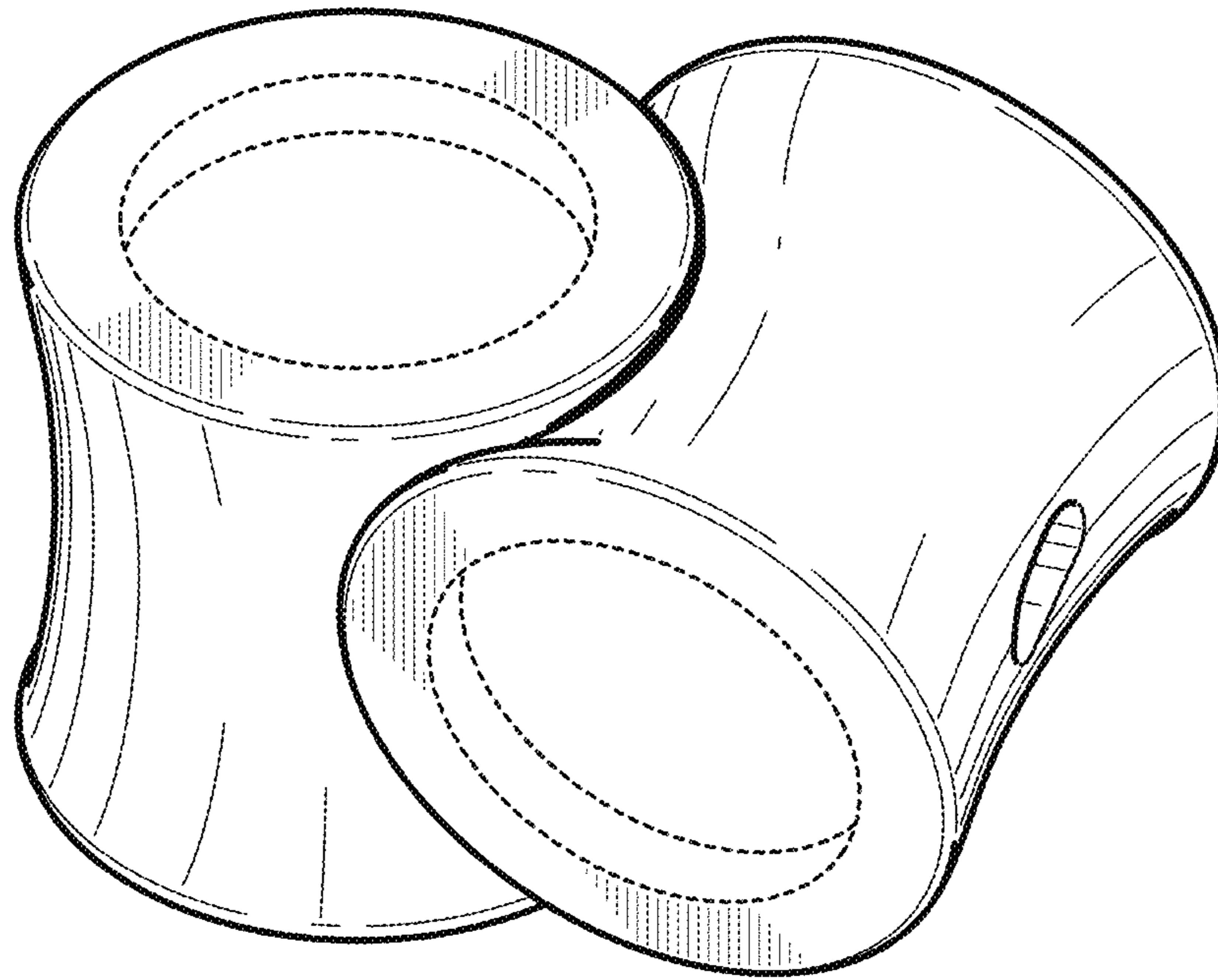


FIG. 1

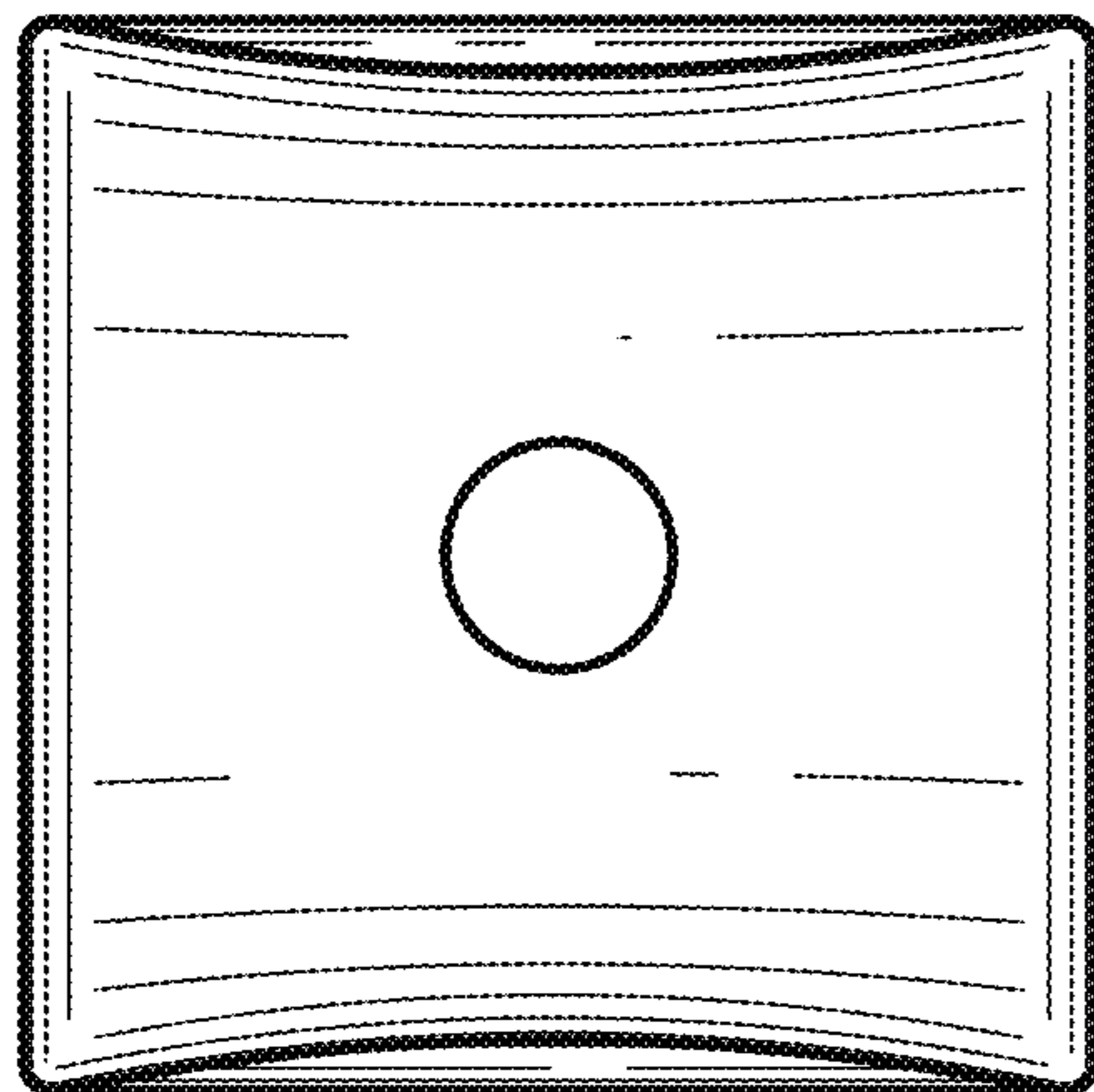


FIG. 2

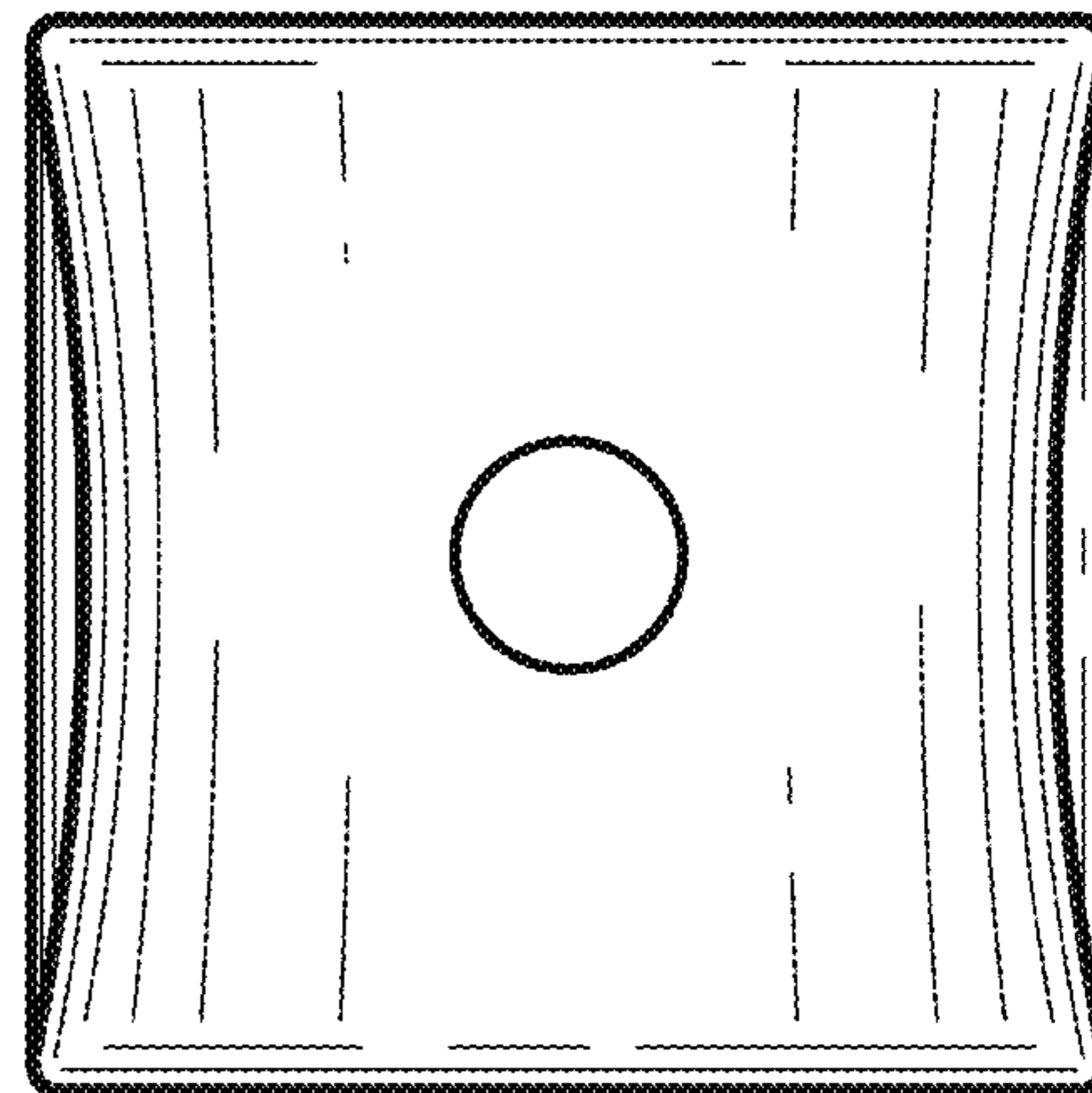


FIG. 3

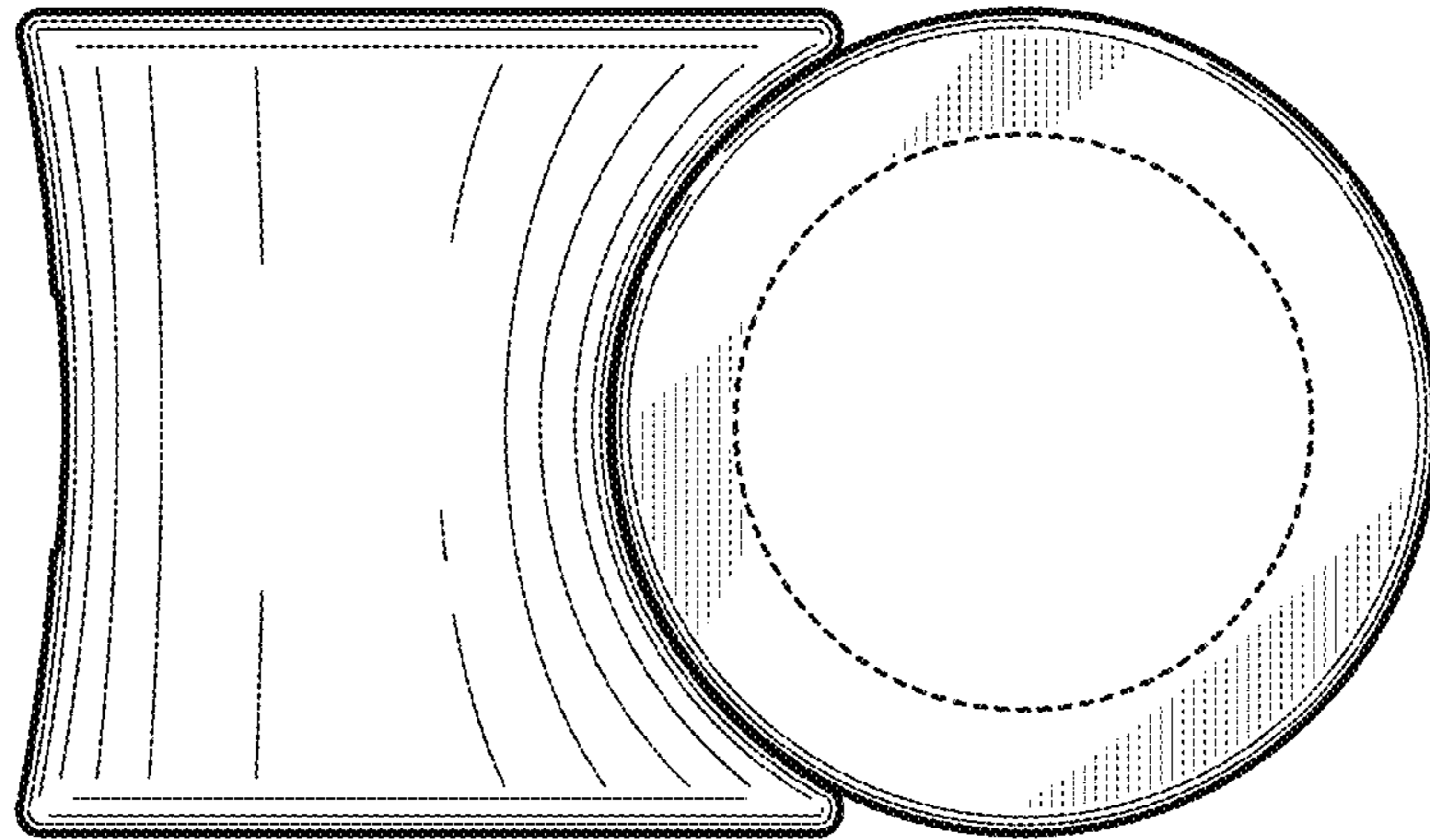


FIG. 4

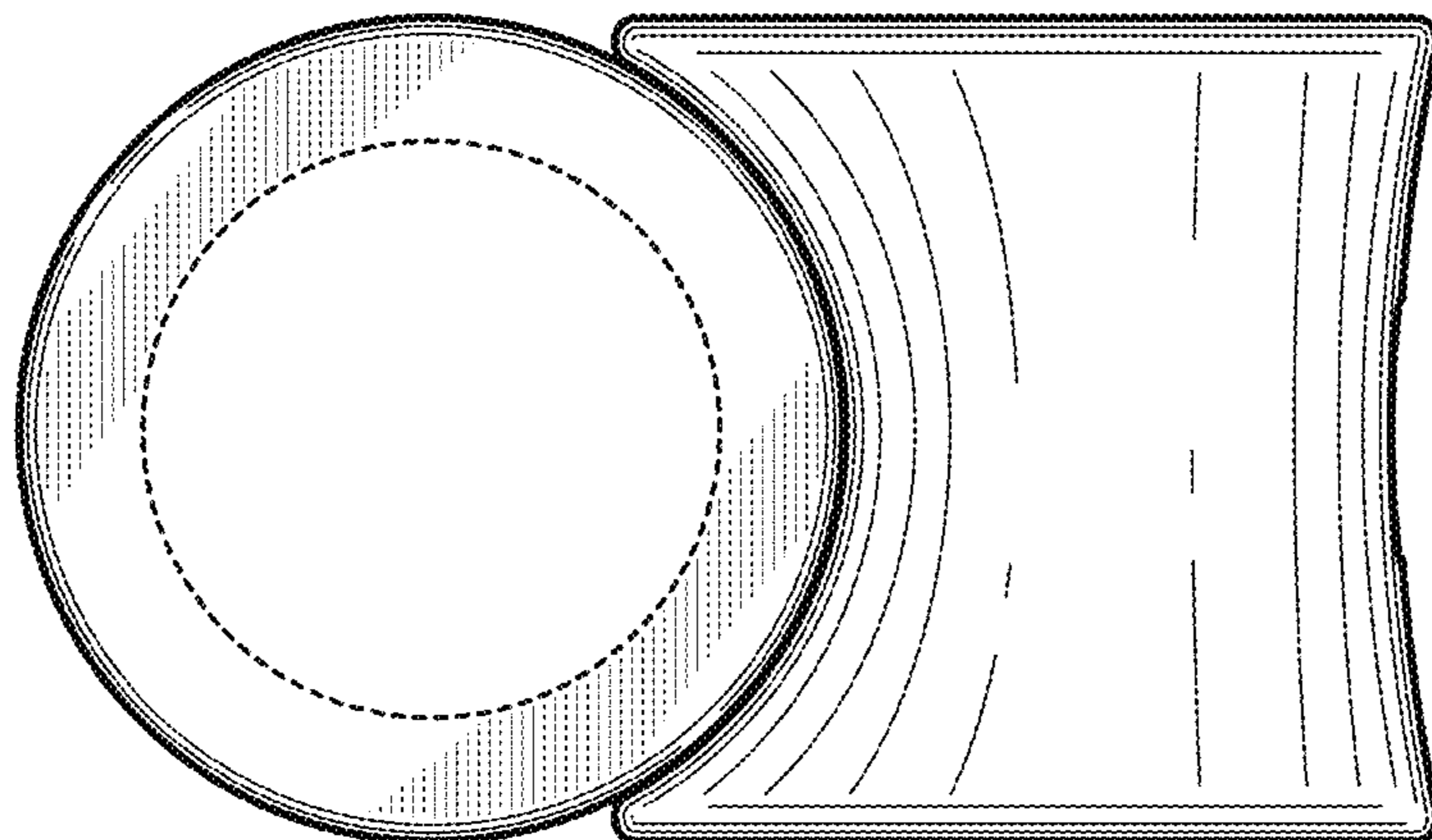


FIG. 5

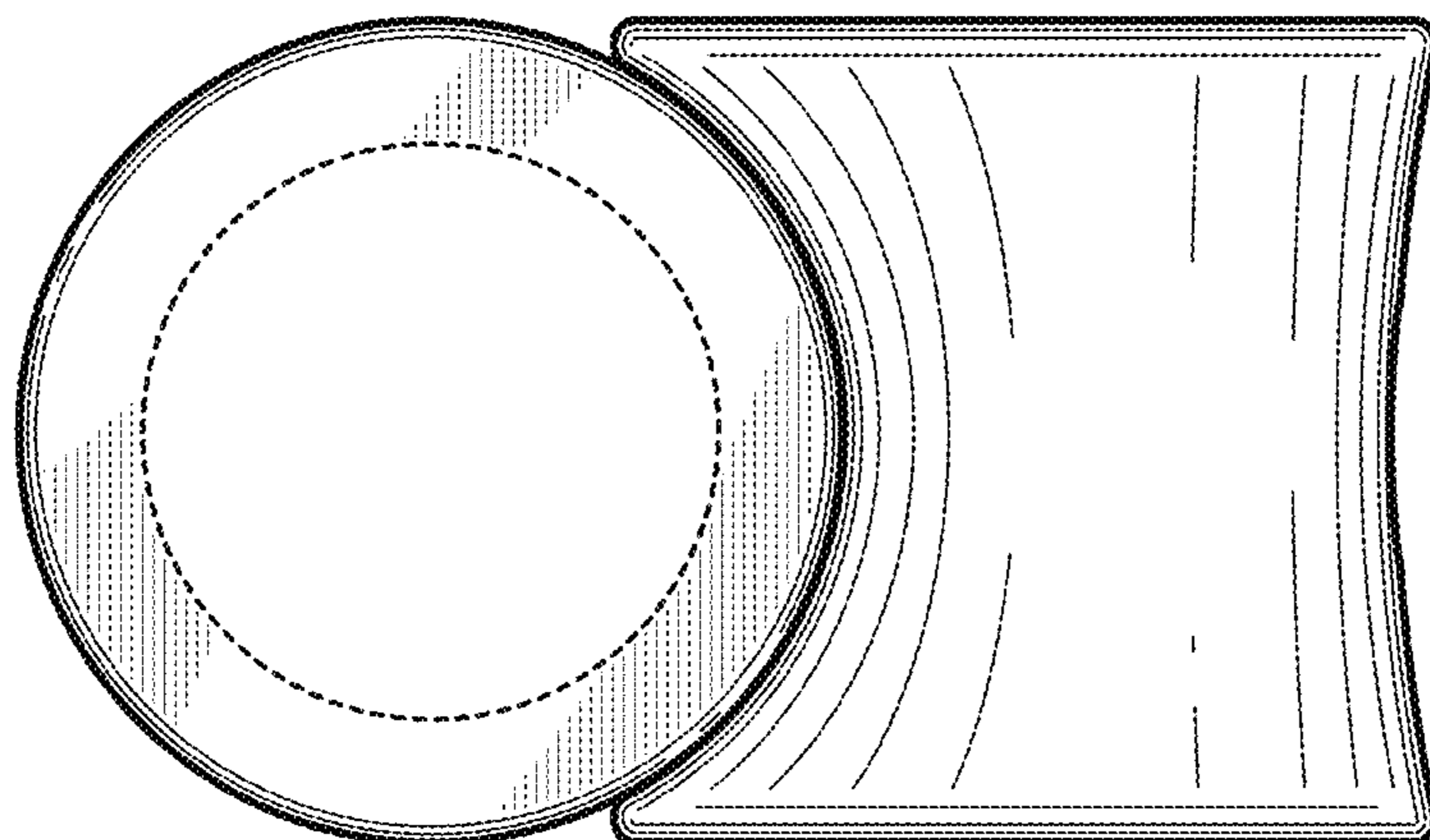


FIG. 6

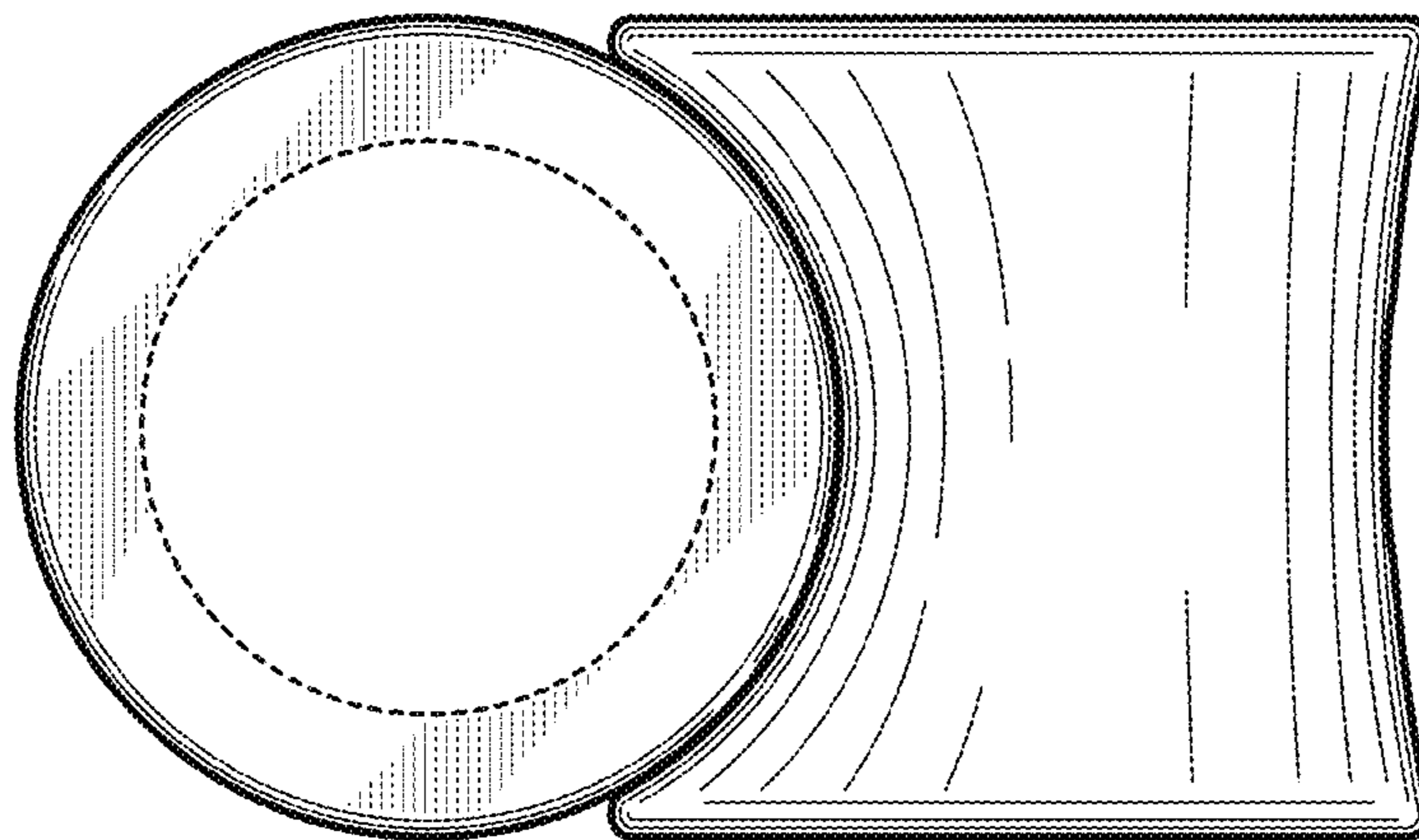


FIG. 7