



US00D777052S

(12) **United States Design Patent**  
**Christiansen**

(10) **Patent No.:** **US D777,052 S**

(45) **Date of Patent:** **\*\* Jan. 24, 2017**

(54) **DUCK CALL REED**

(71) Applicant: **Marcus Lee Christiansen**, Colorado Springs, CO (US)

(72) Inventor: **Marcus Lee Christiansen**, Colorado Springs, CO (US)

(\*\*) Term: **15 Years**

(21) Appl. No.: **29/546,671**

(22) Filed: **Nov. 24, 2015**

(51) **LOC (10) Cl.** ..... **10-05**

(52) **U.S. Cl.**  
USPC ..... **D10/119.1**

(58) **Field of Classification Search**  
USPC ..... D10/119.1, 116.1; D17/13  
CPC . A01M 31/004; B05B 5/025; A61B 17/32093  
See application file for complete search history.

(56) **References Cited**

**U.S. PATENT DOCUMENTS**

D498,165 S *	11/2004	Primos	.....	D10/119.1
7,384,323 B2 *	6/2008	Sceery	.....	A01M 31/004 446/202
7,391,020 B2 *	6/2008	Bousse	.....	B05B 5/025 250/281
7,540,875 B2 *	6/2009	Jessen	.....	A61B 17/32093 606/167

D642,950 S *	8/2011	Barden	.....	D10/119.1
8,277,275 B2 *	10/2012	Drury	.....	A01M 31/004 446/207
D717,365 S *	11/2014	Kuijt	.....	D17/13

\* cited by examiner

*Primary Examiner* — George D Kirschbaum  
(74) *Attorney, Agent, or Firm* — Dunlap Bennett & Ludwig PLLC

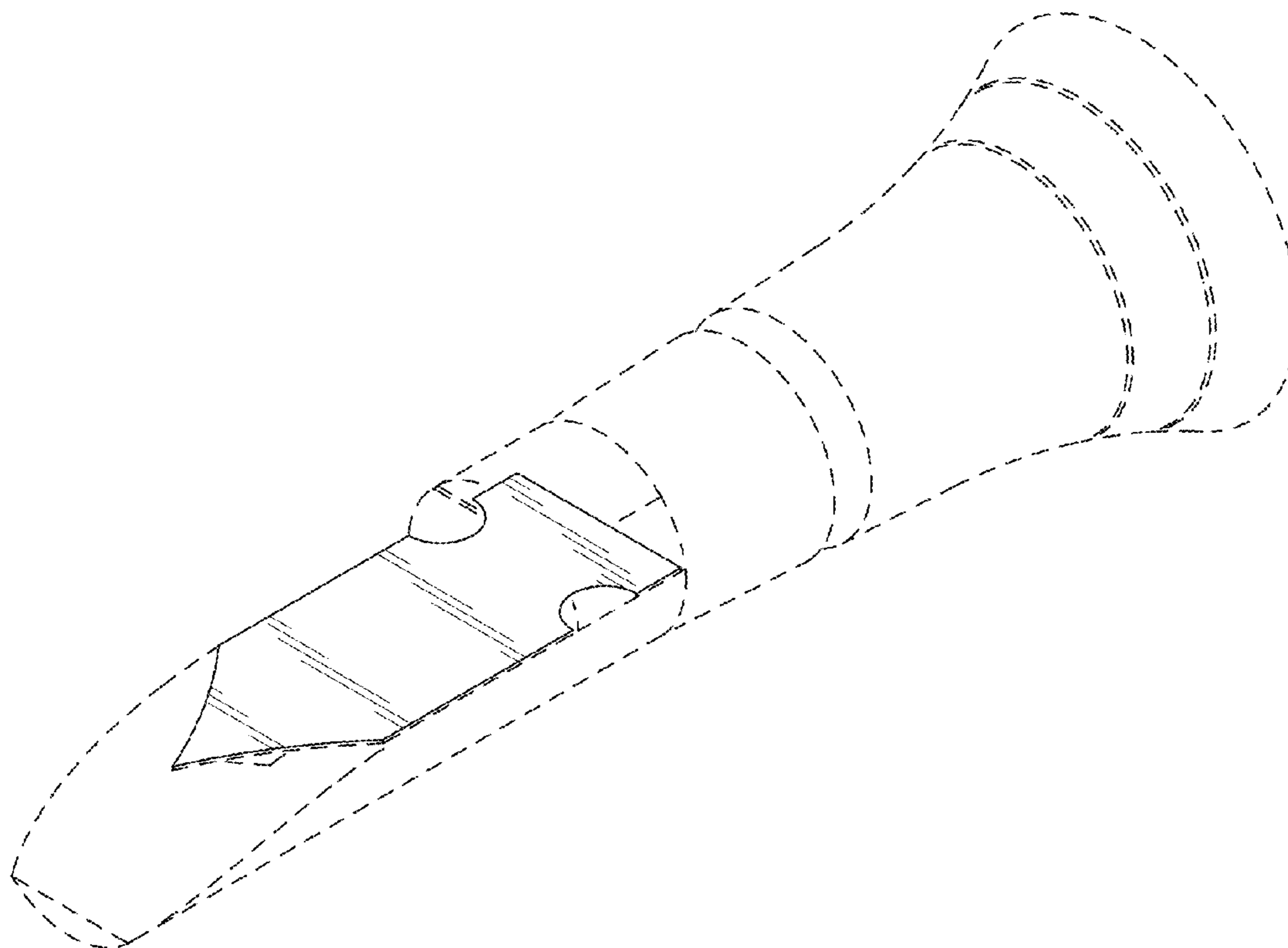
(57) **CLAIM**

The ornamental design for a duck call reed, as shown and described.

**DESCRIPTION**

FIG. 1 is a front perspective view of a duck call reed, shown in use;  
FIG. 2 is a front perspective view thereof;  
FIG. 3 is a top plan view thereof, the bottom plan view being a mirror image thereof;  
FIG. 4 is a right elevation view thereof, the left elevation view being a mirror image thereof;  
FIG. 5 is a front elevation view thereof; and,  
FIG. 6 is a rear elevation view thereof.  
The broken lines showing a duck call in FIG. 1 depicts environmental subject matter that forms no part of the claimed design, while the remaining broken lines shown in the drawings depict portions of the duck call reed that form no part of the claimed design.

**1 Claim, 3 Drawing Sheets**



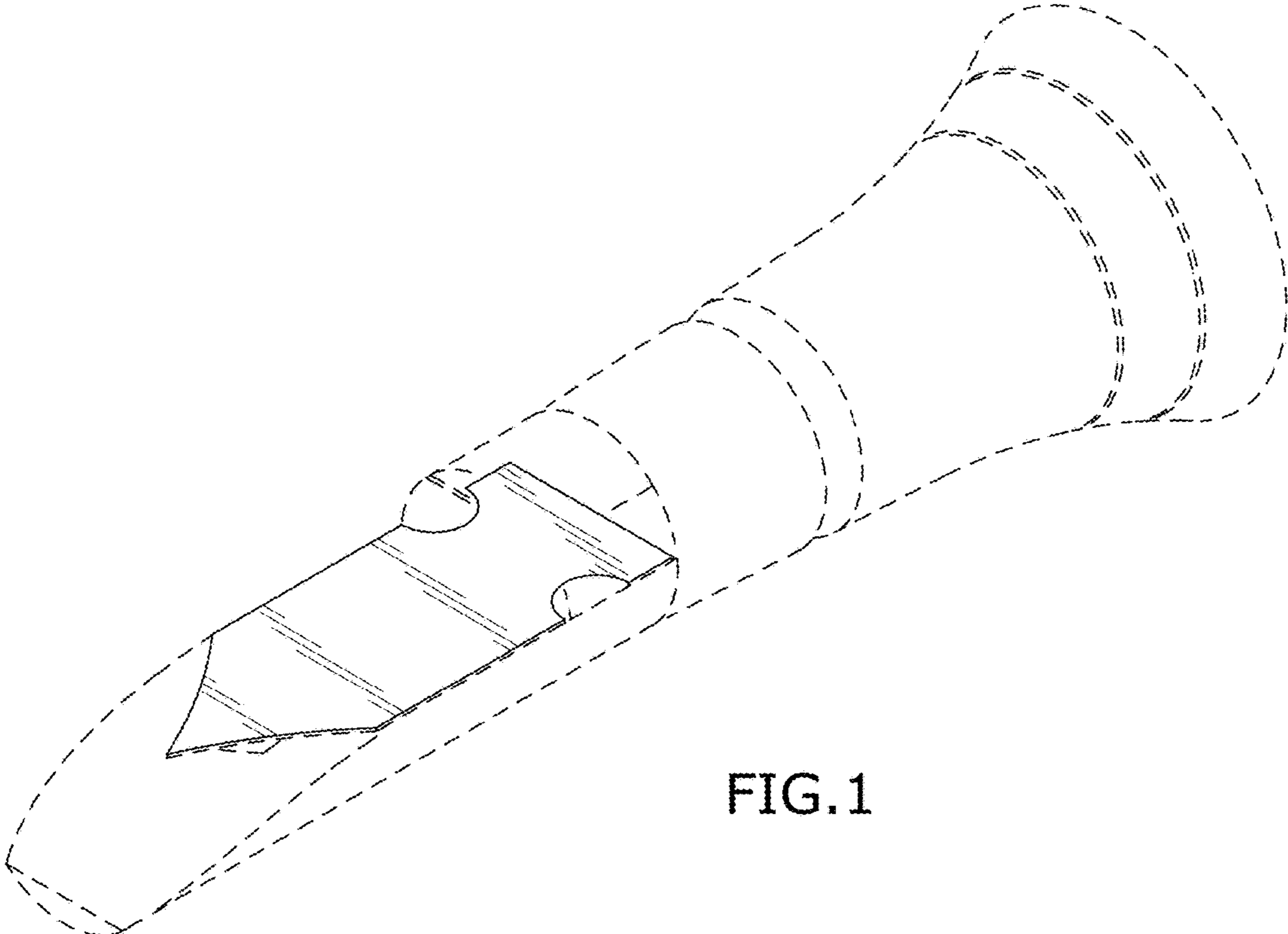


FIG. 1

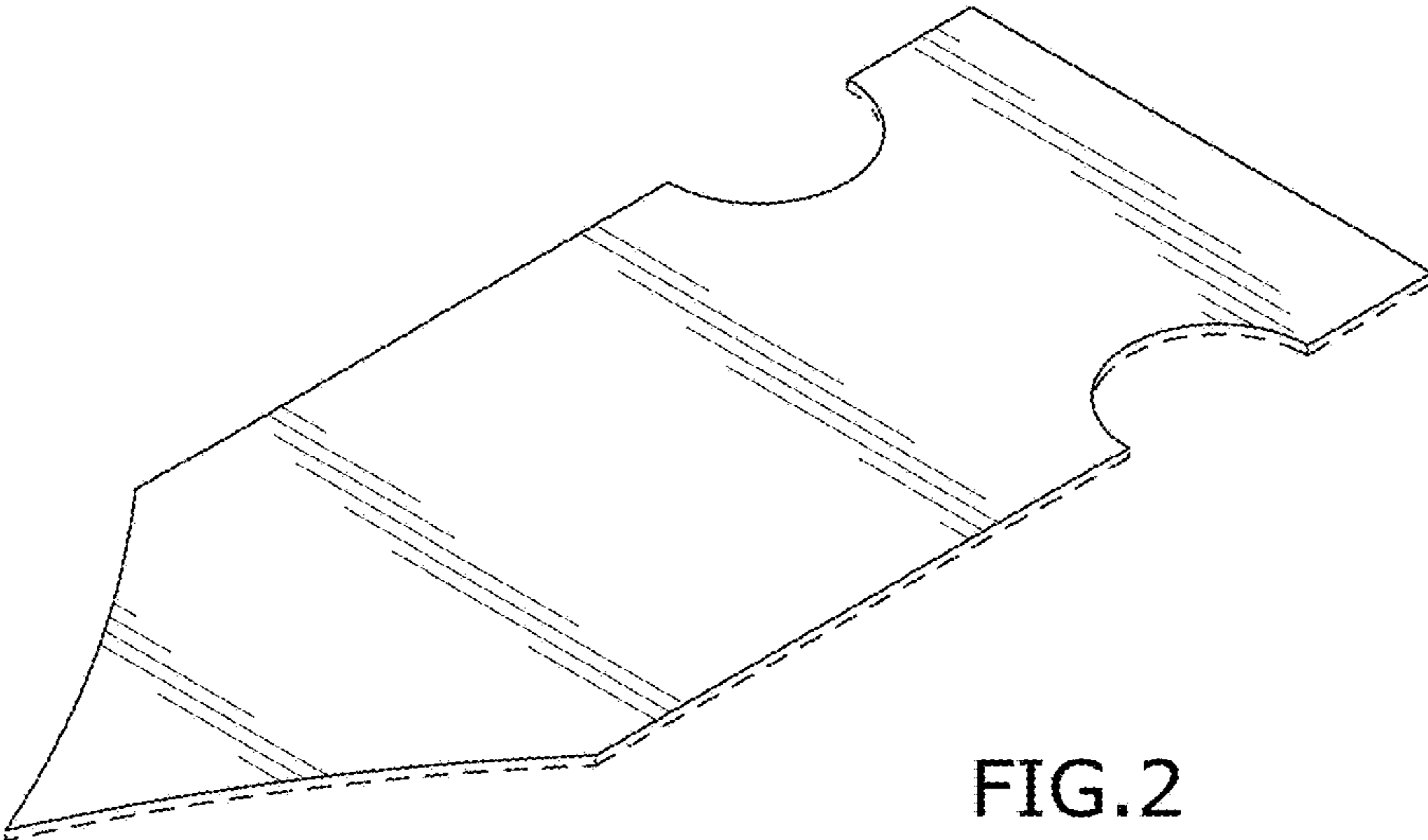


FIG. 2

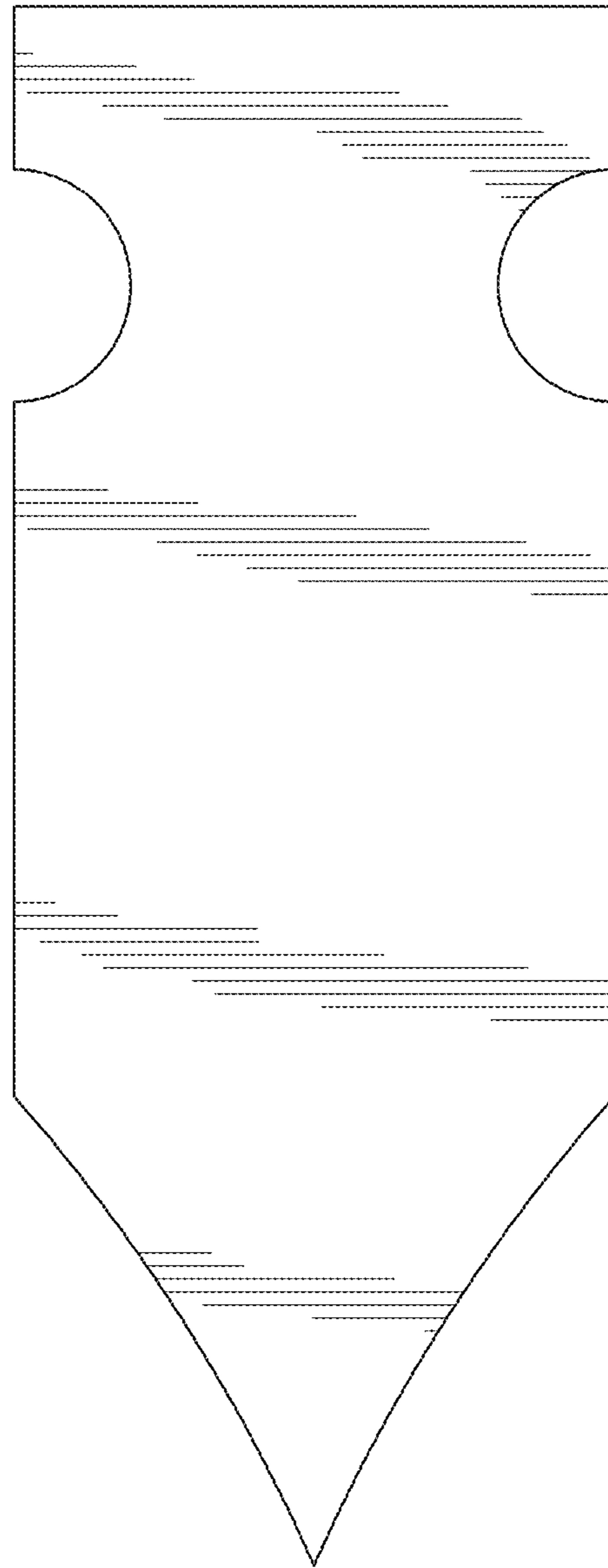


FIG.3

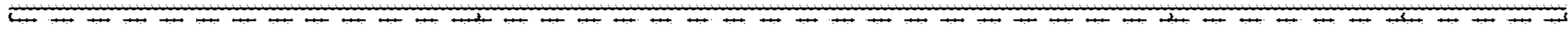


FIG.4

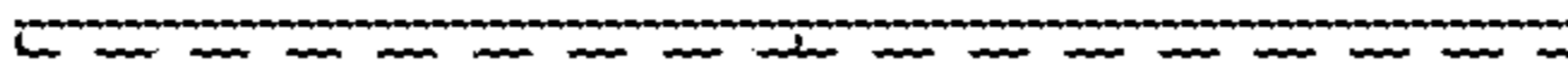


FIG.5

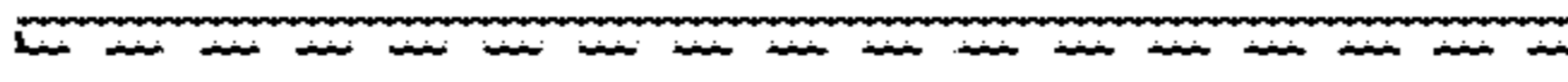


FIG.6