



US00D777050S

(12) **United States Design Patent** (10) **Patent No.:** **US D777,050 S**
Will et al. (45) **Date of Patent:** **** Jan. 24, 2017**

(54) **ALERTING DEVICE**

(71) Applicant: **ROCKWILLI RMR LLC**, Renton, WA (US)
 (72) Inventors: **Travis E. Will**, Renton, WA (US); **Russell E. VanDevanter**, Seattle, WA (US); **Steven M. Myhre**, Seattle, WA (US); **Michael J. Myhre**, Monroe, WA (US)
 (73) Assignee: **ROCKWILLI RMR LLC**, Renton, WA (US)

(**) Term: **15 Years**

(21) Appl. No.: **29/540,749**

(22) Filed: **Sep. 28, 2015**

(51) **LOC (10) Cl.** **10-05**

(52) **U.S. Cl.**
USPC **D10/104.1; D10/78; D10/106.1**

(58) **Field of Classification Search**
 USPC D10/78, 104.1, 106.1, 65; D14/138 AA, D14/138 G, 167, 154, 168, 188, 192, D14/203.3, 346, 507, 496, 156, 160, 161, D14/162, 163, 164, 165, 158, 159, 341, D14/342, 345, 155, 218, 225; D3/207; D26/38; 455/350, 351
 CPC G08B 25/00; G08B 25/016; G08B 25/006; G08B 25/005; G08B 25/04; G08B 25/045; H04L 1/00; H04M 1/72536; H04M 1/72538; H04M 1/72519; H04M 1/72541; H04W 4/22

See application file for complete search history.

(56) **References Cited**

U.S. PATENT DOCUMENTS

5,317,305 A * 5/1994 Campman G08B 21/0415
310/321
 D356,968 S * 4/1995 Flick D10/106.1
 D431,486 S * 10/2000 Iseli D10/106.1
 7,315,736 B2 * 1/2008 Jenkins G08B 25/016
340/539.12
 7,486,194 B2 * 2/2009 Stanners G08B 25/012
340/539.11
 D696,223 S * 12/2013 Will D14/155
 D721,349 S * 1/2015 Sugai D14/159

* cited by examiner

Primary Examiner — Antoine D Davis

(74) *Attorney, Agent, or Firm* — Puget Patent; Michael Gibbons

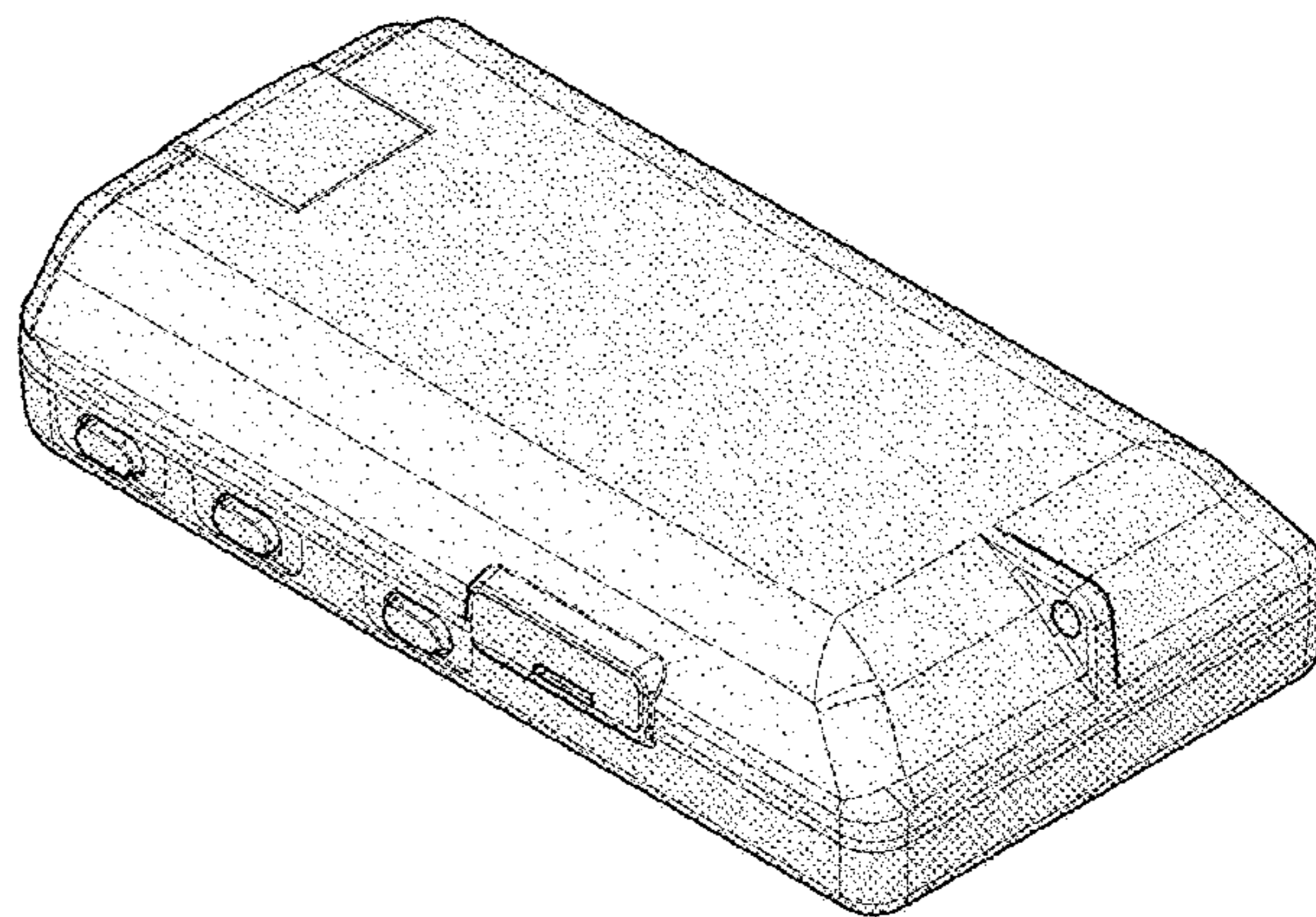
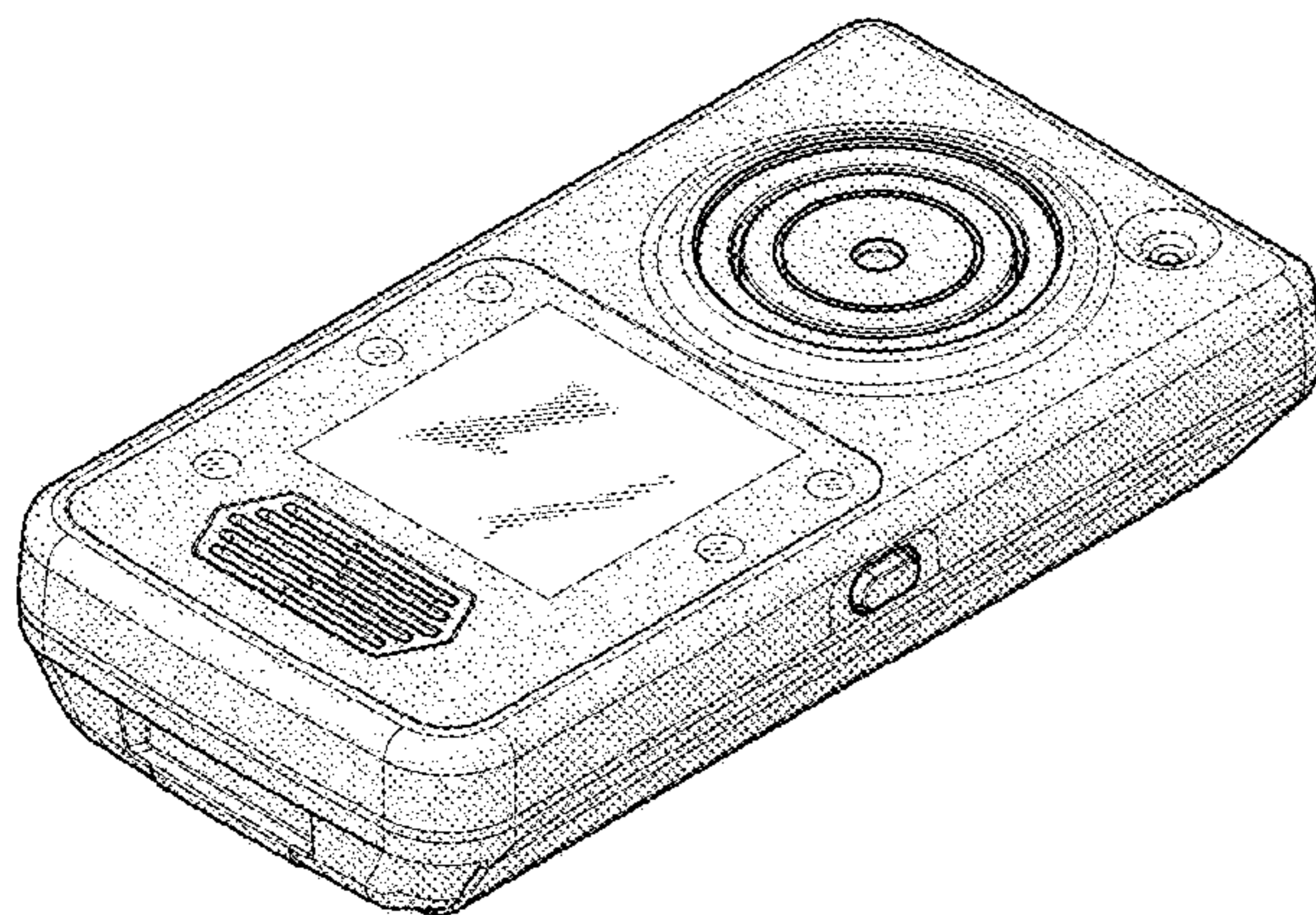
(57) **CLAIM**

The ornamental design for an alerting device, as shown and described.

DESCRIPTION

FIG. 1 is a front perspective view of an alerting device showing our new design;
 FIG. 2 is a rear perspective view thereof;
 FIG. 3 is a top view thereof;
 FIG. 4 is a bottom view thereof;
 FIG. 5 is a left side view thereof;
 FIG. 6 is a right side view thereof;
 FIG. 7 is a front view thereof; and,
 FIG. 8 is a rear view thereof.

1 Claim, 4 Drawing Sheets



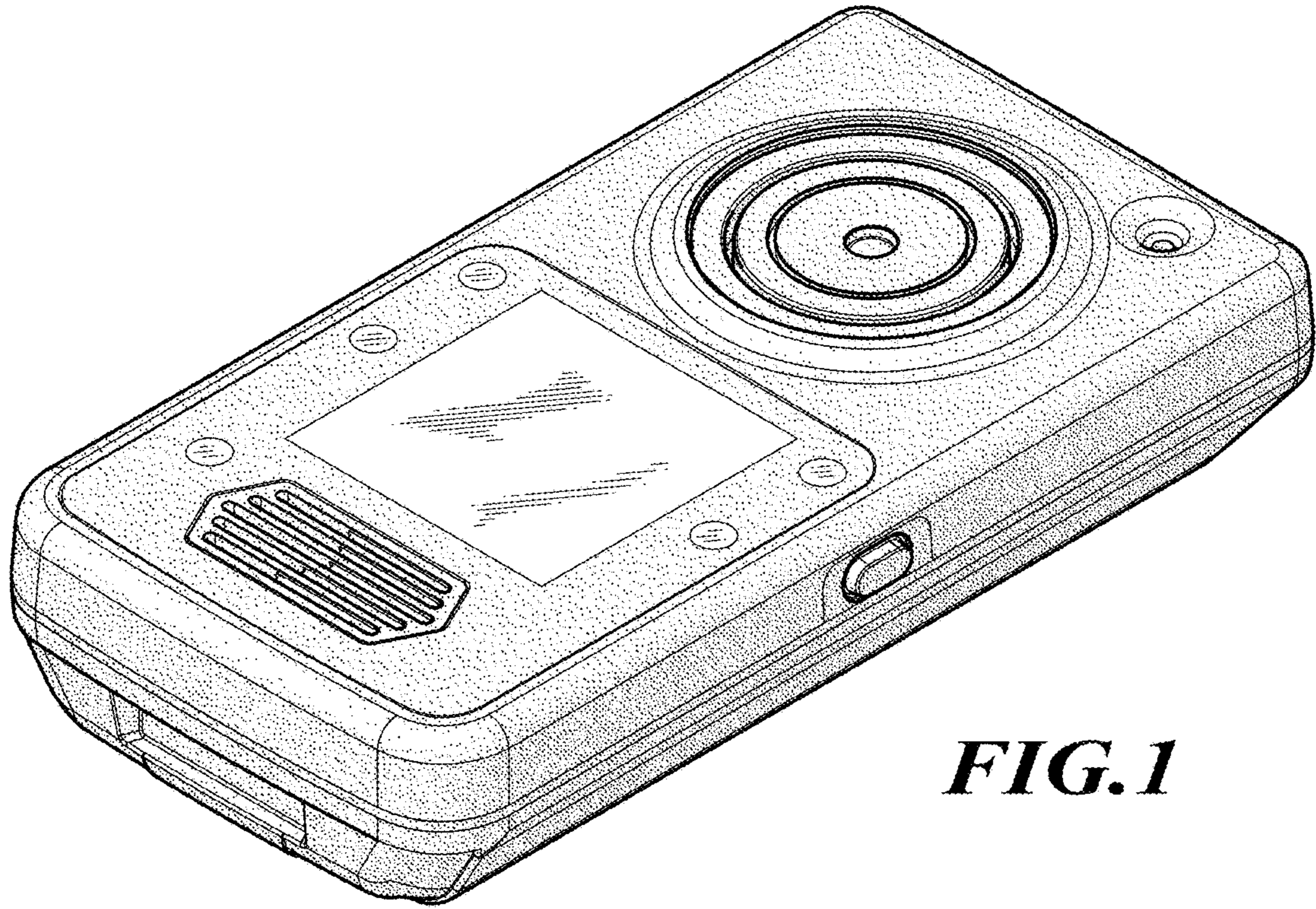


FIG. 1

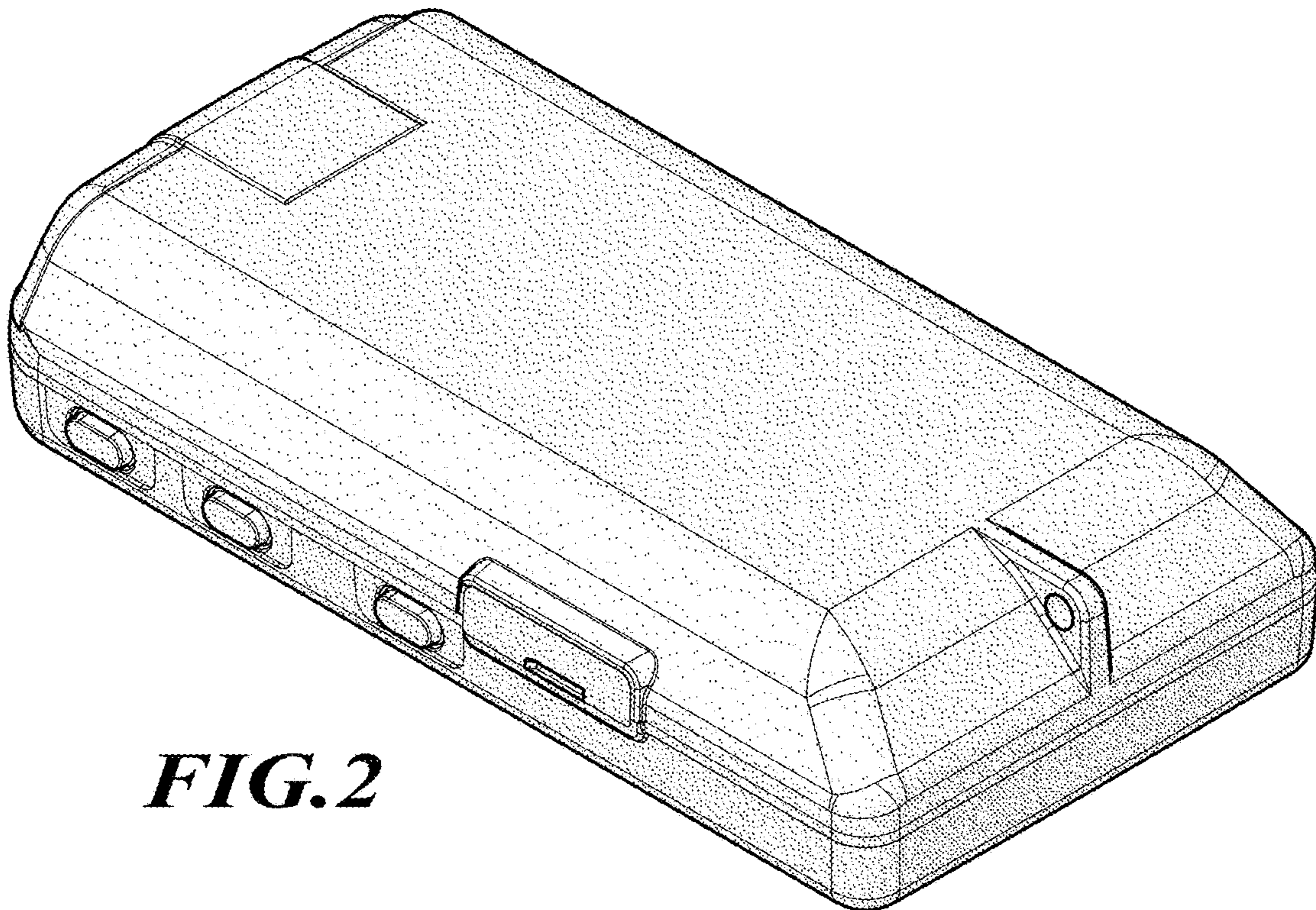


FIG. 2

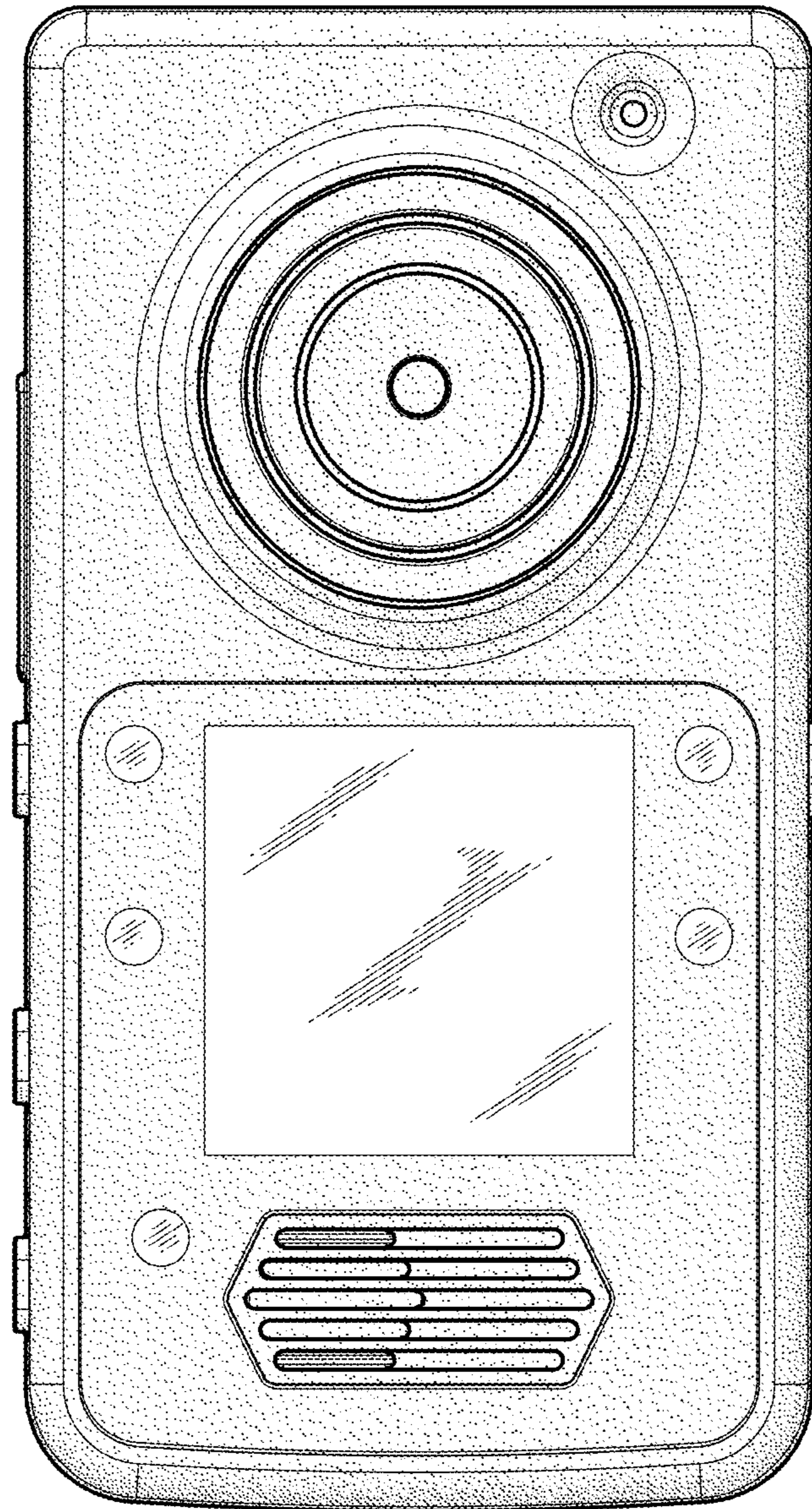


FIG. 3

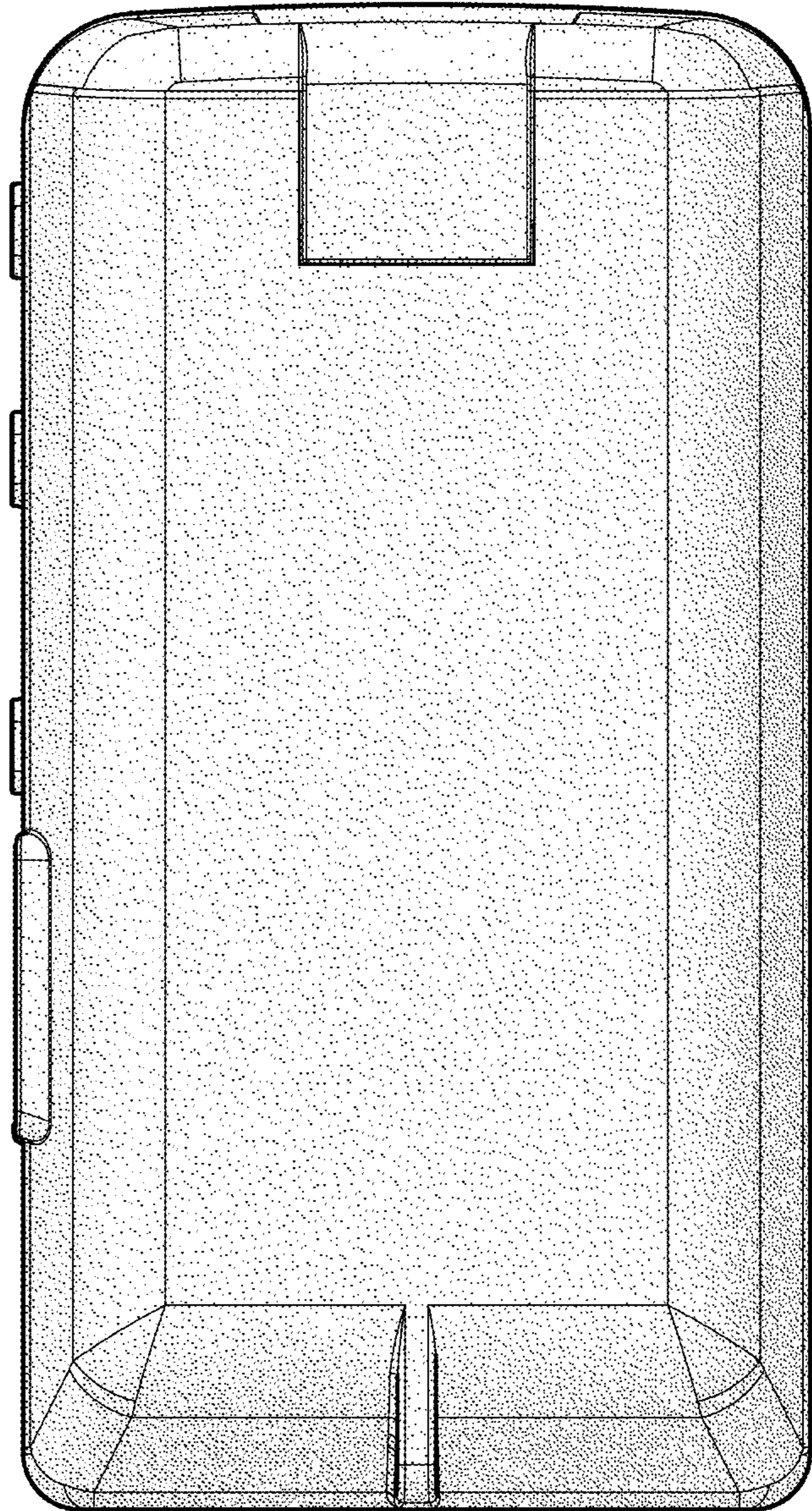


FIG. 4

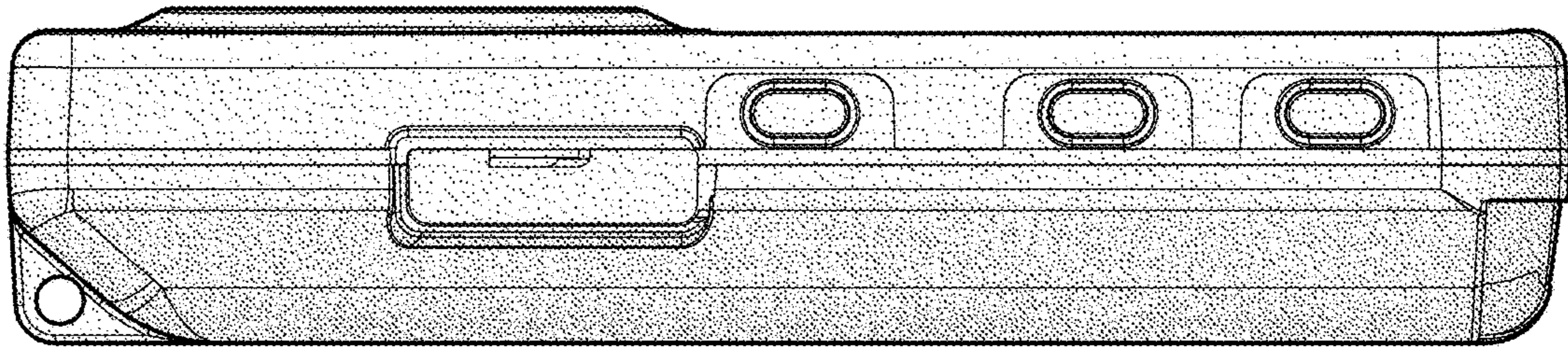


FIG. 5

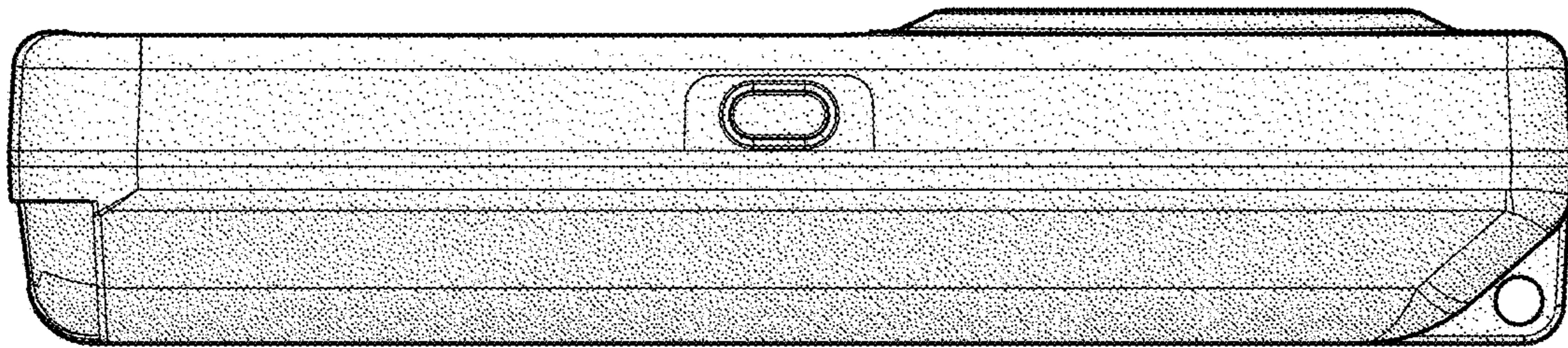


FIG. 6

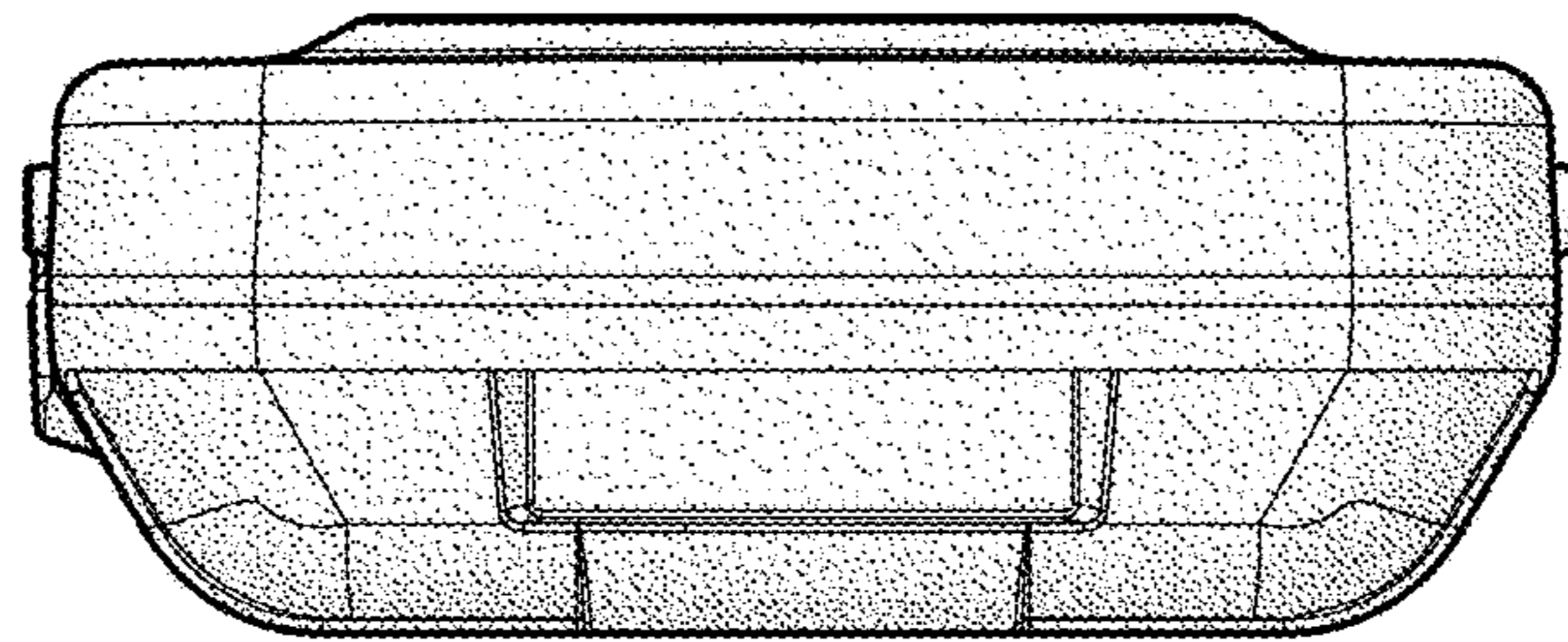


FIG. 7



FIG. 8