



US00D777048S

(12) **United States Design Patent** (10) **Patent No.:** **US D777,048 S**  
**Barton et al.** (45) **Date of Patent:** **\*\* Jan. 24, 2017**

(54) **DIAGNOSTIC ANALYZER**

OTHER PUBLICATIONS

- (71) Applicant: **Abbott Laboratories**, Abbott Park, IL (US)
- (72) Inventors: **Christina A. Barton**, Irving, TX (US); **Rachel Elizabeth Wallace**, Madison, WI (US); **Ami Marie Verhalen**, Sun Prairie, WI (US); **Christopher Alan Harris**, Madison, WI (US); **Daniel Roger Nett**, Sun Prairie, WI (US)
- (73) Assignee: **ABBOTT LABORATORIES**, Abbott Park, IL (US)

Notification of the Registration of the Community Designs, issued by the Office for Harmonization in The Internal Market, in connection with European Community Design Nos. 002930230-0001 through 002930230-0029, on Mar. 17, 2016, 6 pages.

(Continued)

*Primary Examiner* — Antoine D Davis  
(74) *Attorney, Agent, or Firm* — Hanley, Flight & Zimmerman, LLC

(\*\*) Term: **15 Years**

(21) Appl. No.: **29/531,576**

(22) Filed: **Jun. 26, 2015**

(51) **LOC (10) Cl.** ..... **10-04**

(52) **U.S. Cl.**  
USPC ..... **D10/81; D24/216**

(58) **Field of Classification Search**  
USPC ..... D10/81; D24/216, 219, 220, 232, 233, D24/234  
CPC G01N 21/00; G01N 21/01; G01N 2021/0106; G01N 2201/022; G01N 2201/0221; G01N 2201/0222; G01N 2201/0224; G01N 2201/0225; G01N 2201/0227; G01N 2201/0228; G01N

(Continued)

(56) **References Cited**

U.S. PATENT DOCUMENTS

- D347,396 S \* 5/1994 Ohnuma ..... D10/81
- D755,405 S \* 5/2016 Zhu ..... D10/81

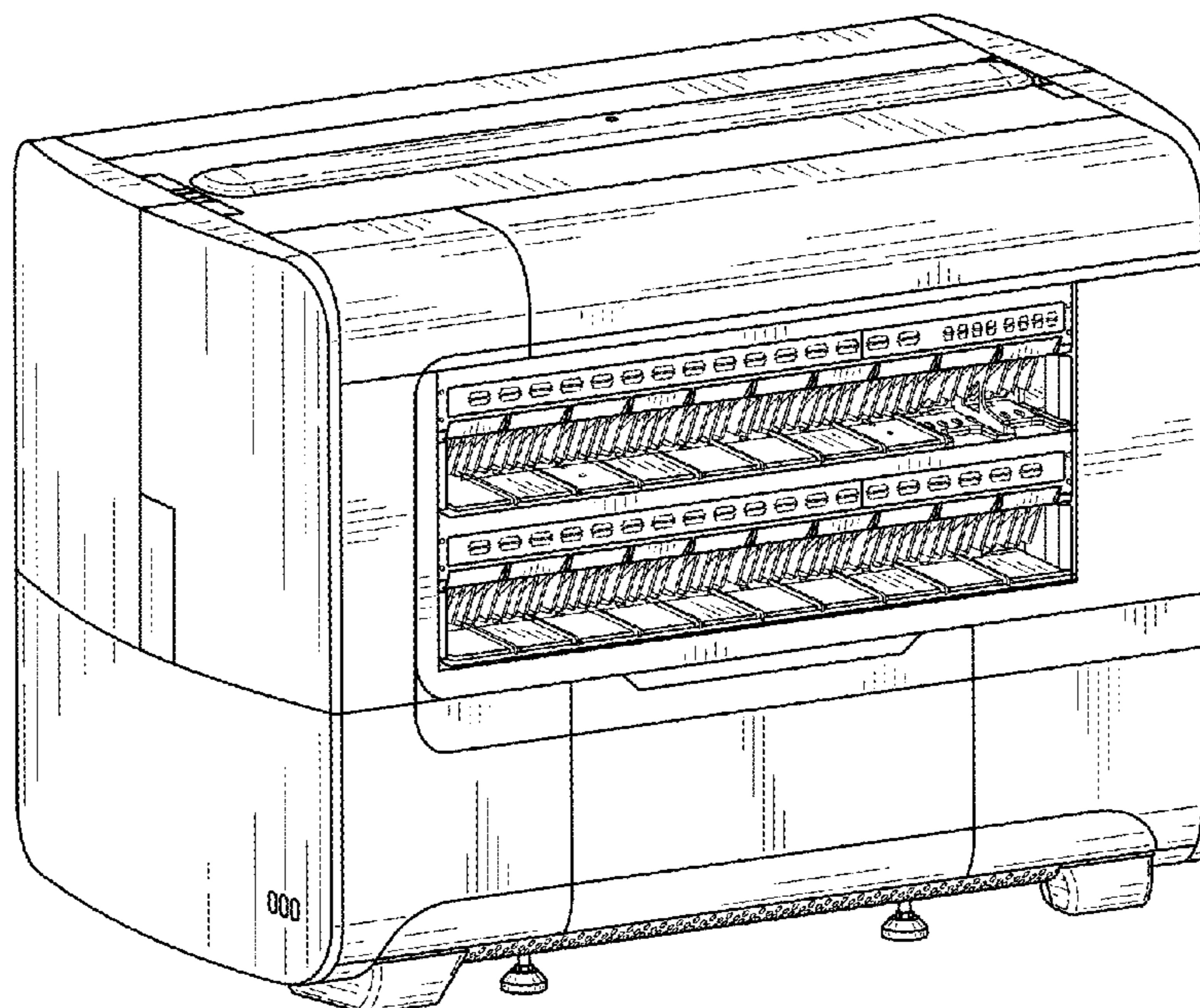
(57) **CLAIM**

The ornamental design for a “diagnostic analyzer,” as shown and described.

**DESCRIPTION**

FIG. 1 is a front left perspective view of a diagnostic analyzer.  
 FIG. 2 is a front view of the analyzer of FIG. 1.  
 FIG. 3 is a rear view of the analyzer of FIG. 1.  
 FIG. 4 is a right side view of the analyzer of FIG. 1.  
 FIG. 5 is a left side view of the analyzer of FIG. 1.  
 FIG. 6 is a top view of the analyzer of FIG. 1.  
 FIG. 7 is a bottom view of the analyzer of FIG. 1.  
 FIG. 8 is a front left perspective view of a diagnostic analyzer.  
 FIG. 9 is a front view of the analyzer of FIG. 8.  
 FIG. 10 is a rear view of the analyzer of FIG. 8.  
 FIG. 11 is a right side view of the analyzer of FIG. 8.  
 FIG. 12 is a left side view of the analyzer of FIG. 8.  
 FIG. 13 is a top view of the analyzer of FIG. 8; and,  
 FIG. 14 is a bottom view of the analyzer of FIG. 8.

**1 Claim, 9 Drawing Sheets**



(58) **Field of Classification Search**

CPC ..... 2201/024;G01N 2201/0245; G01N  
2021/0112-21/958

See application file for complete search history.

(56) **References Cited**

OTHER PUBLICATIONS

Notification of First Corrections, issued by the State Intellectual Property Office of the P.R. China, in connection with Chinese Patent Application No. 201530555266.8 on Apr. 22, 2016, 3 pages.

Notice for Reasons for Rejection, English Language, issued by the Intellectual Property Office of Japan, in connection with Japanese application No. 2015-28870, on Jun. 14, 2016, 5 pages.

Japanese Patent Office, "Directive," issued in connection with Japanese Design Application No. 2015-28870, dated Oct. 25, 2016, 3 pages.

State Intellectual Property Office of China, "First Office Action," issued in connection with Chinese Patent Application No. 201530555266.8, dated Oct. 9, 2016, 3 pages.

\* cited by examiner

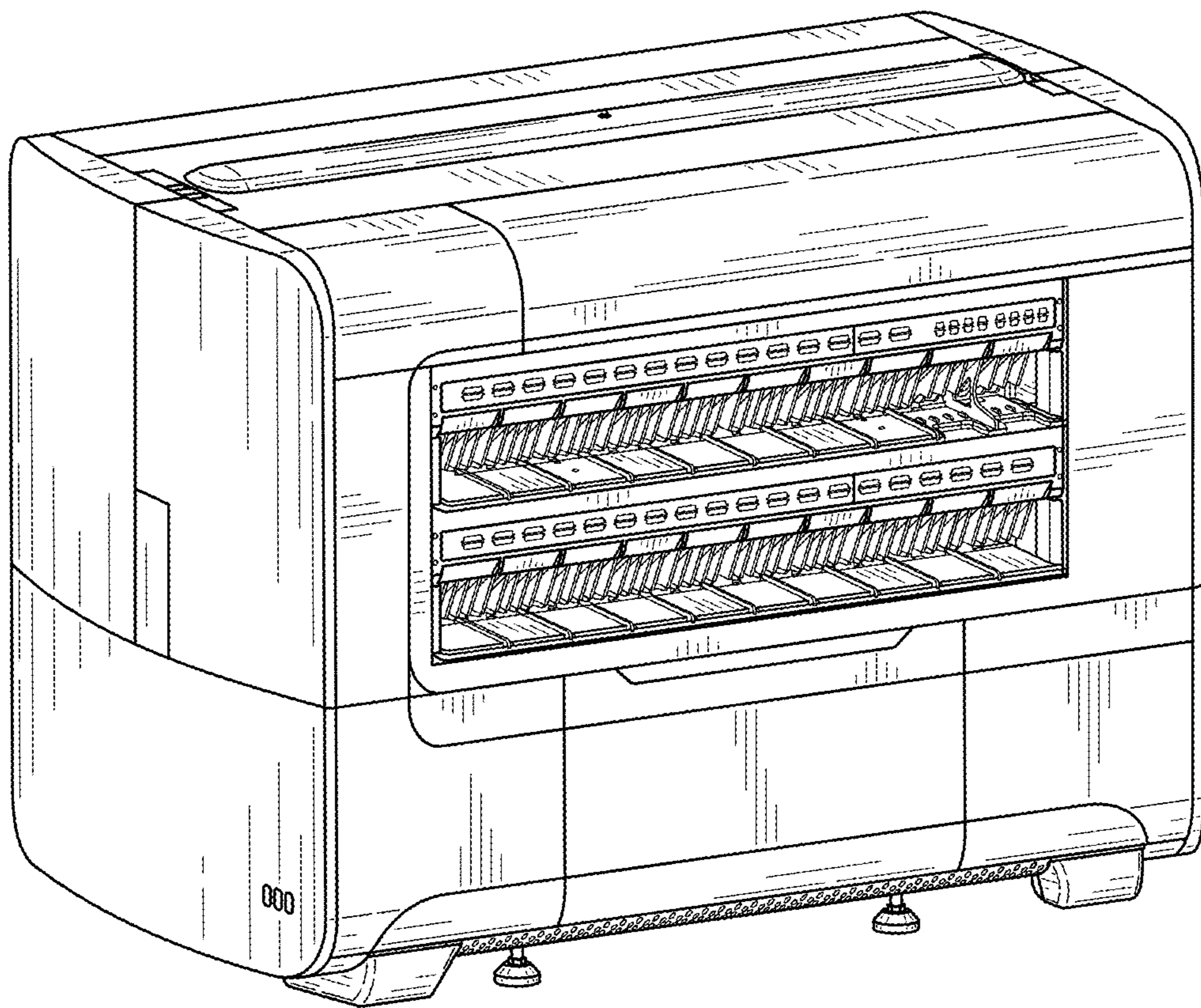


FIG. 1



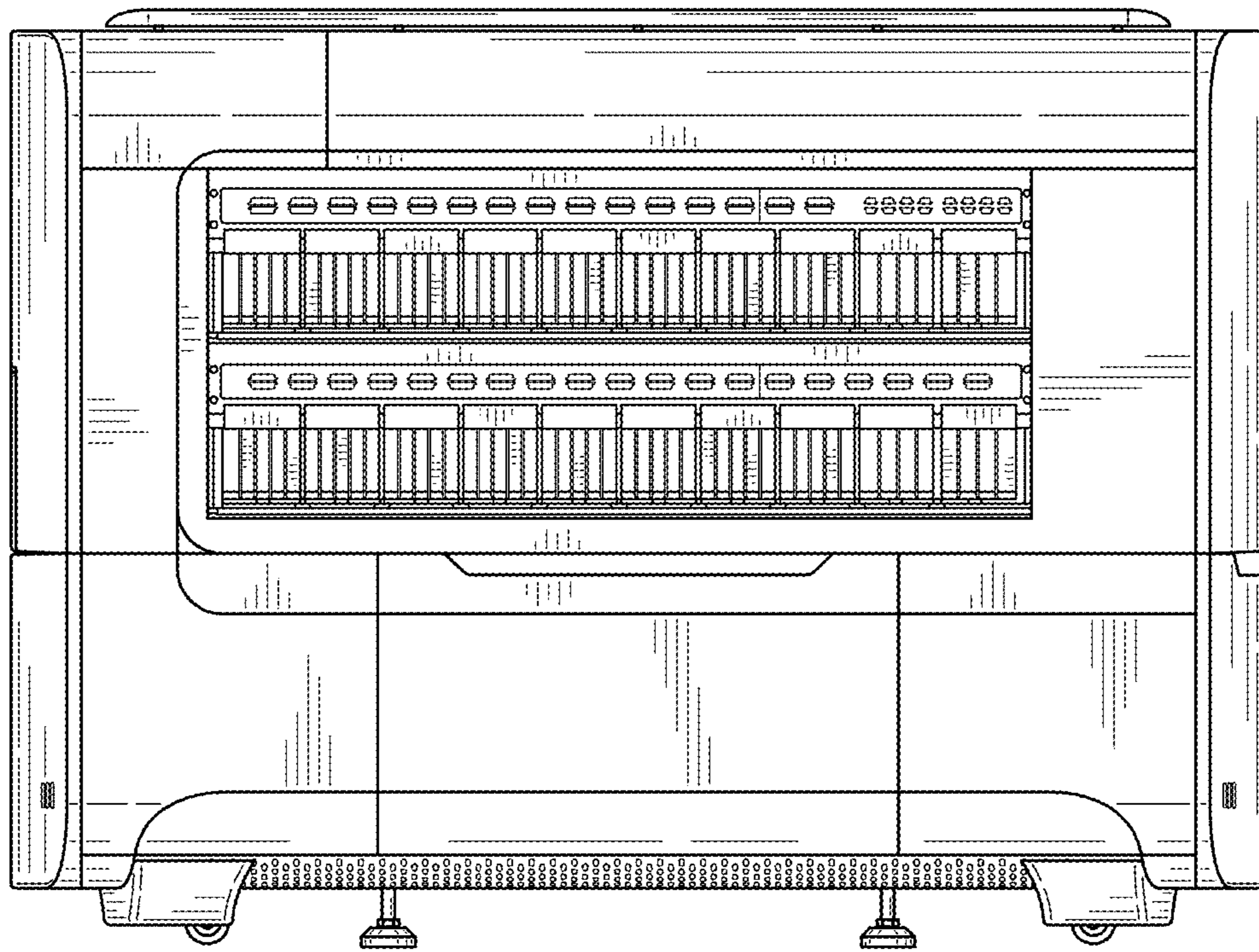


FIG. 2

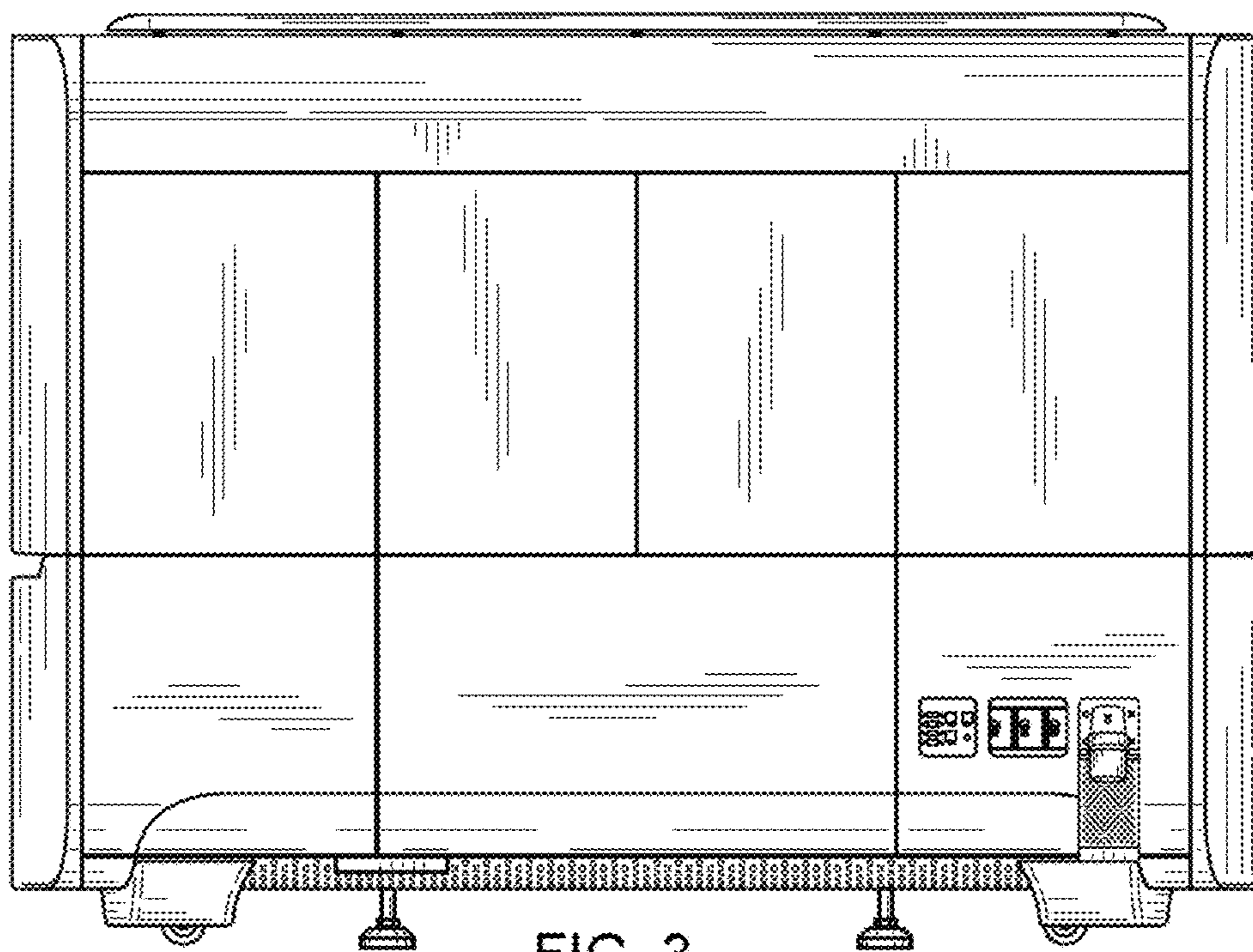


FIG. 3

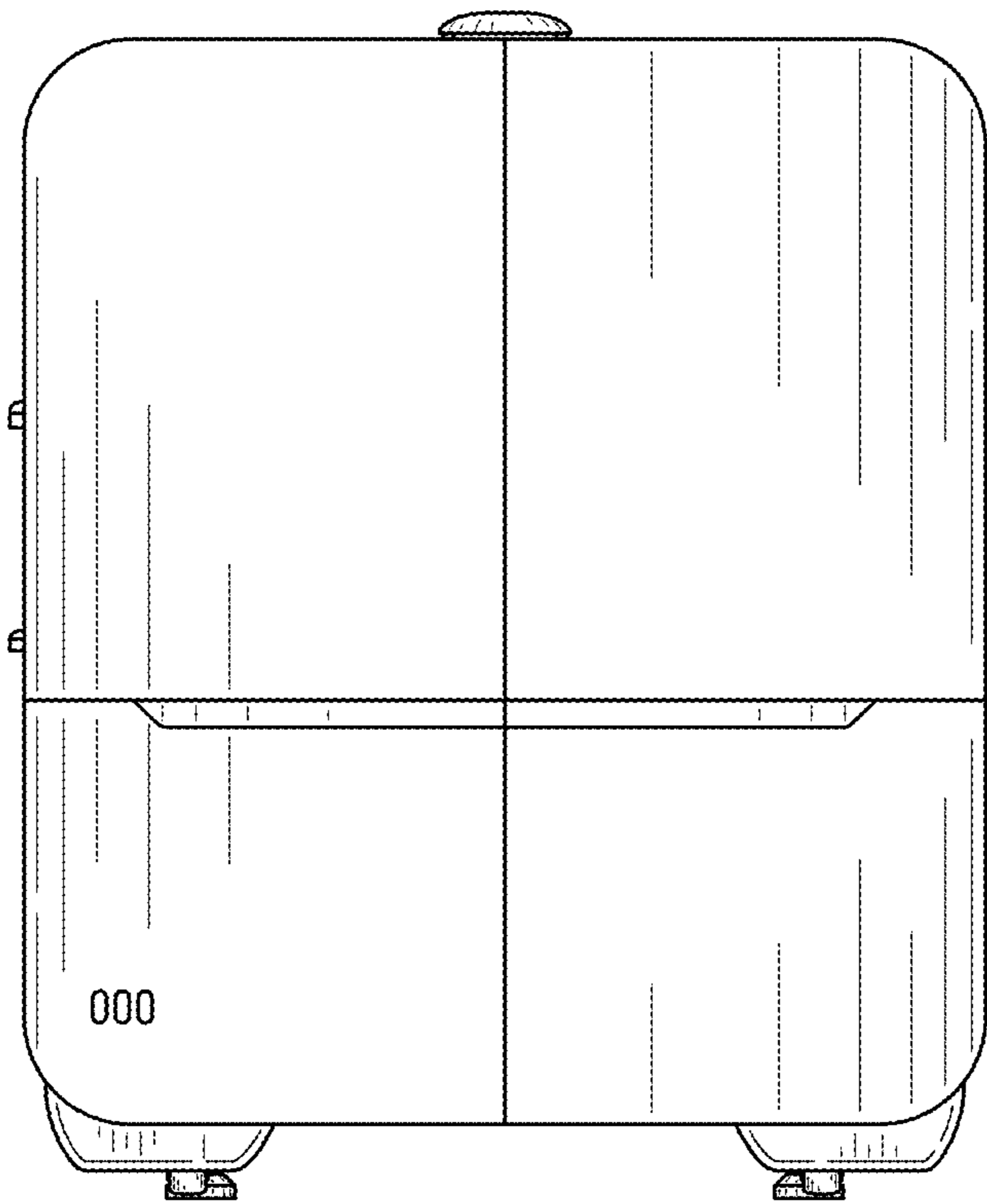


FIG. 4

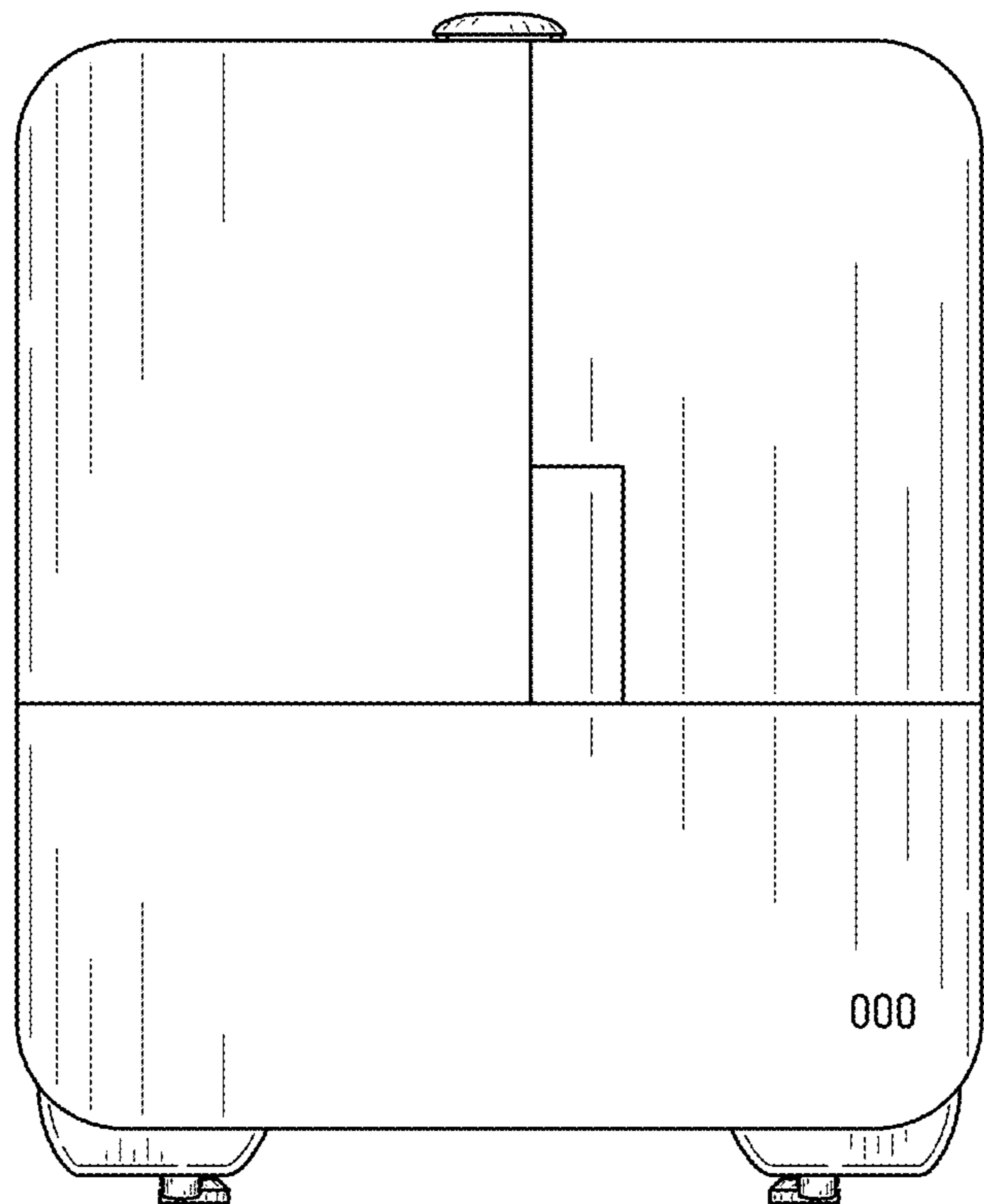


FIG. 5

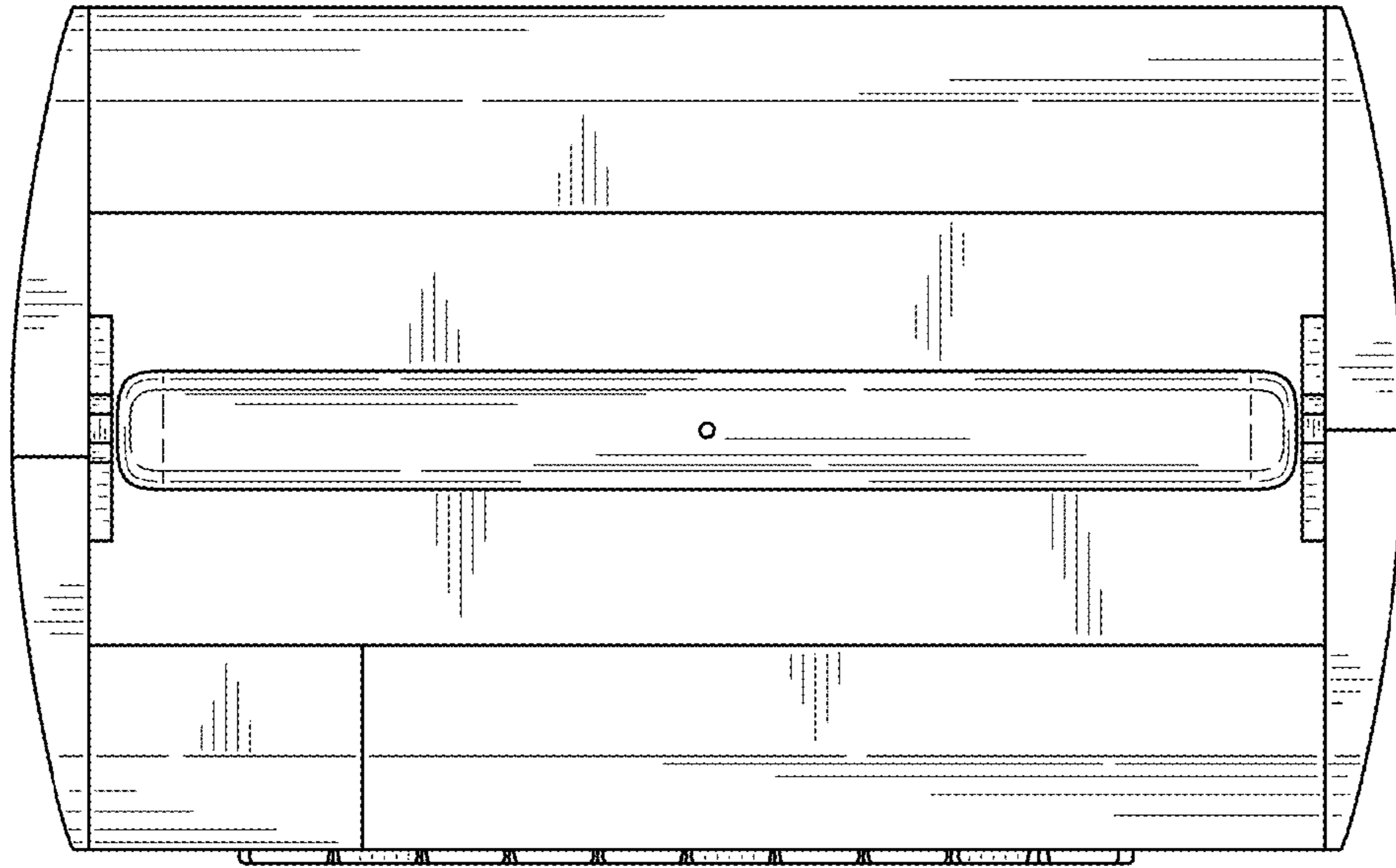


FIG. 6

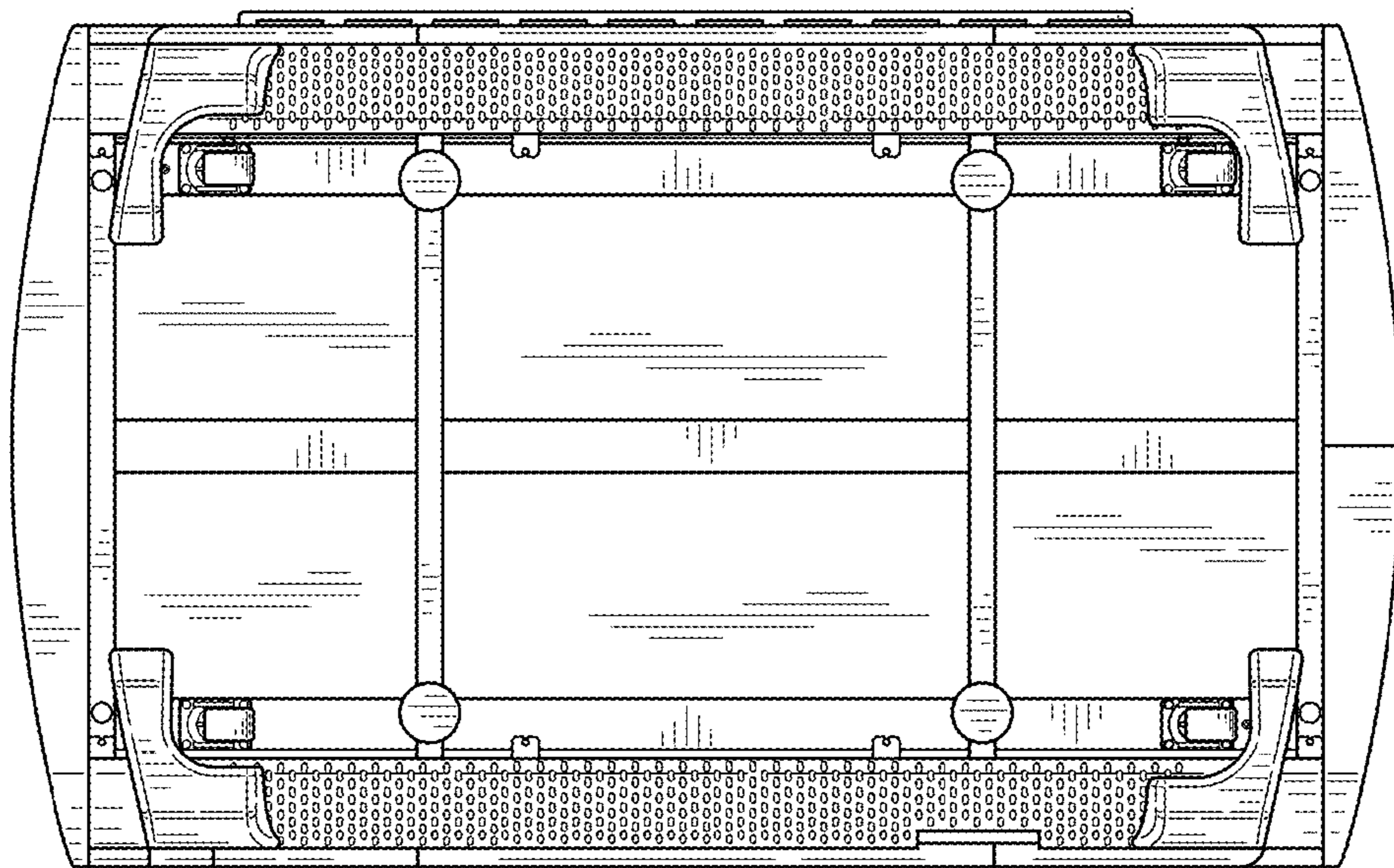


FIG. 7



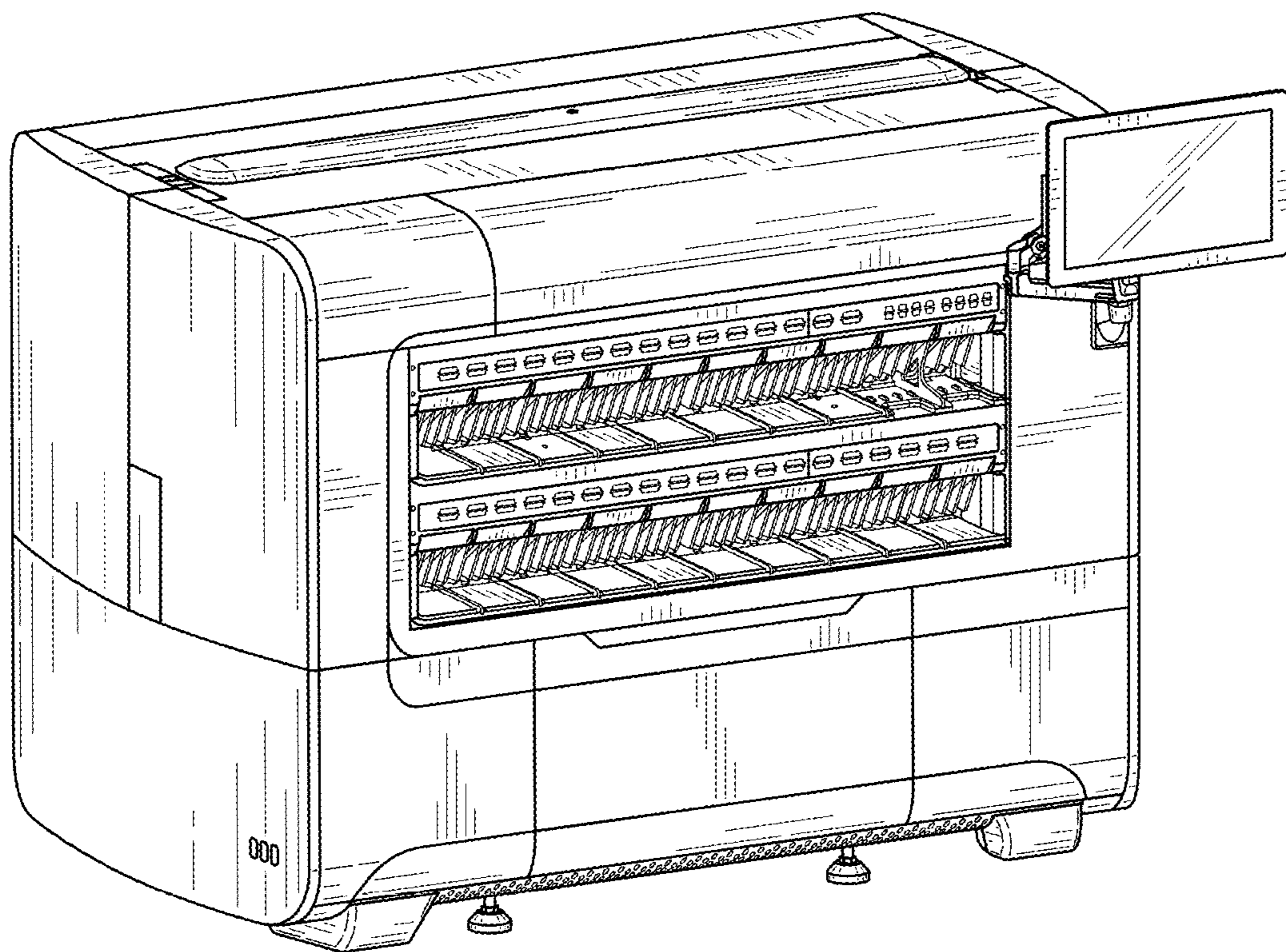


FIG. 8



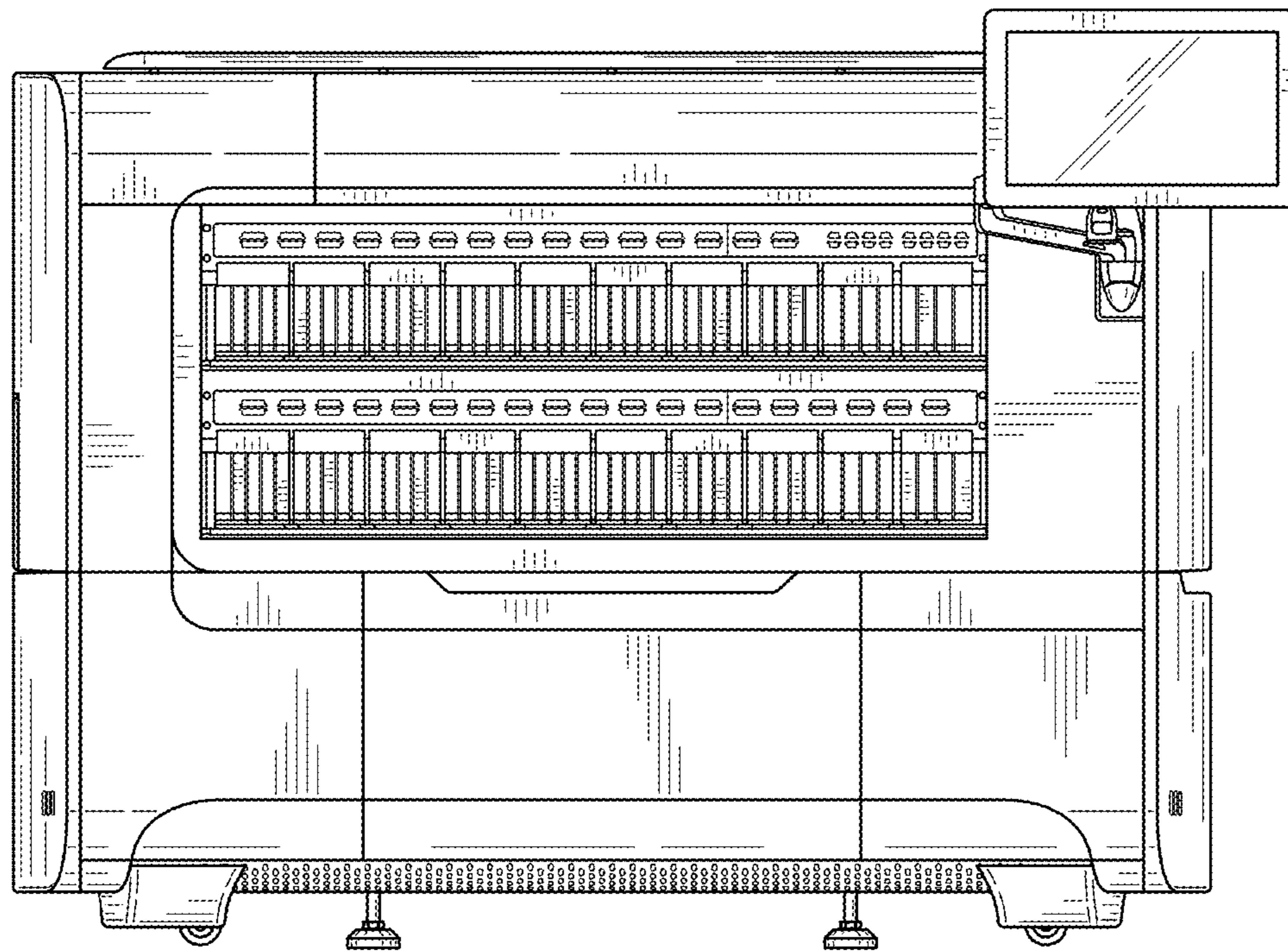


FIG. 9

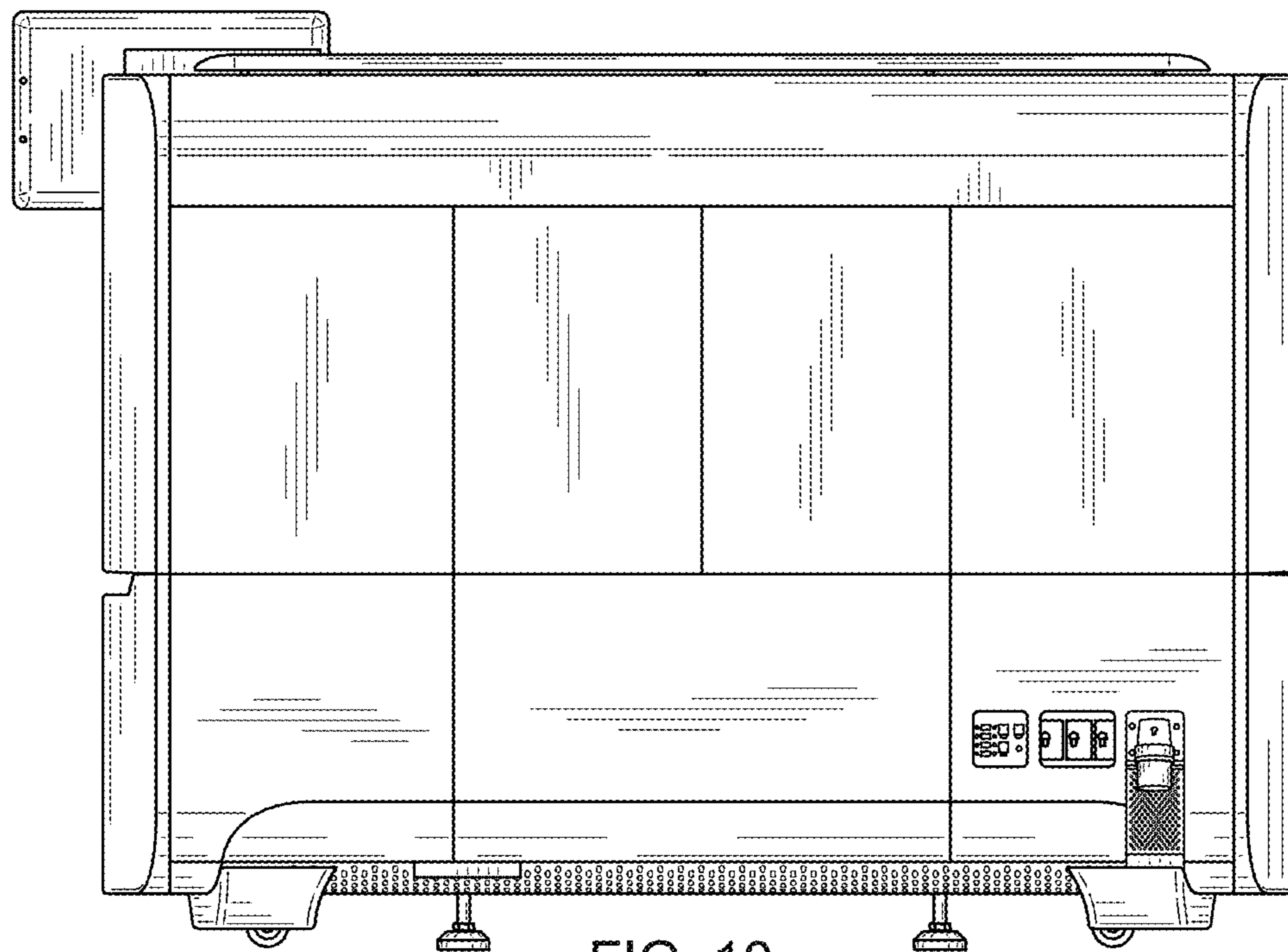


FIG. 10

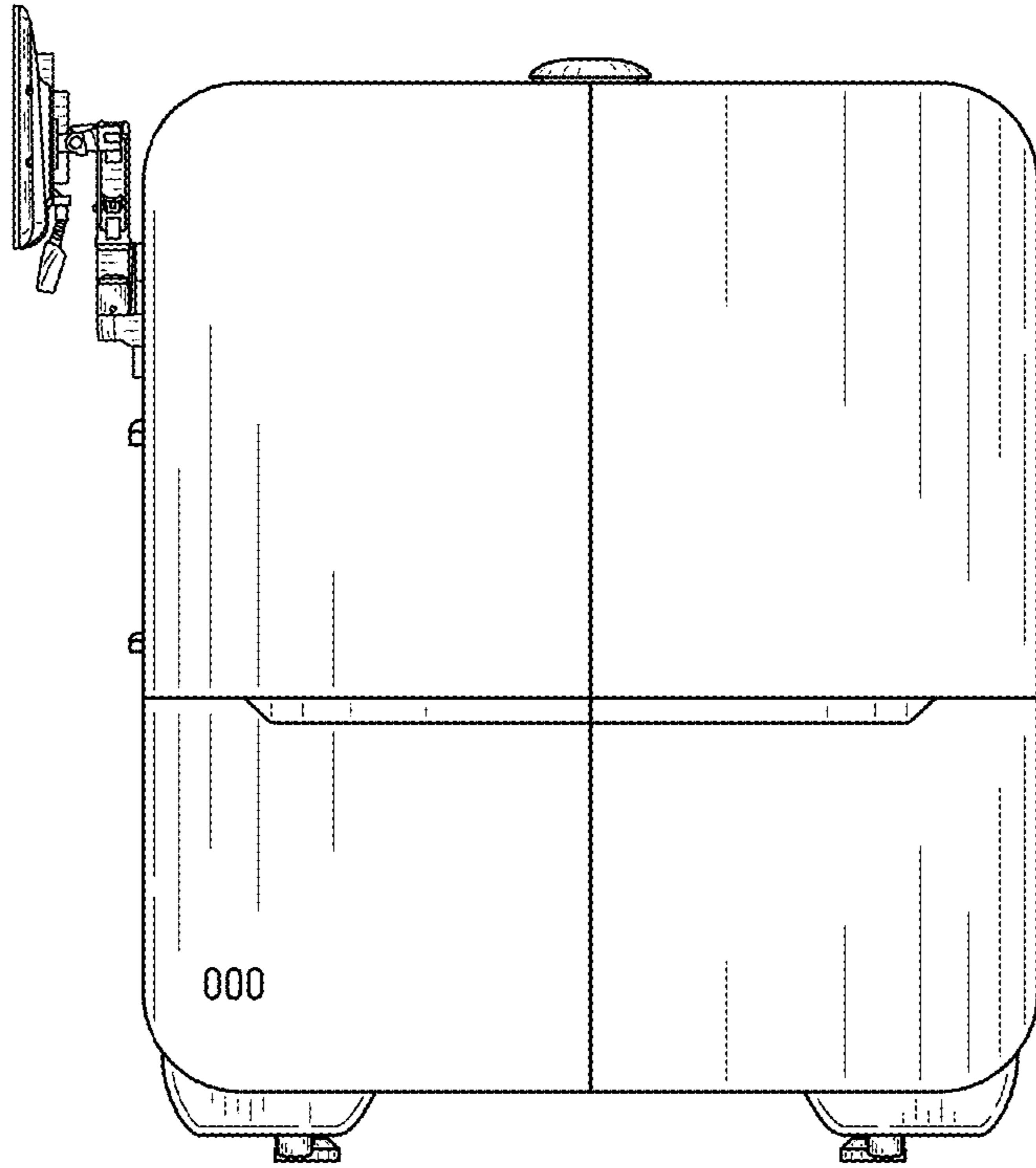


FIG. 11

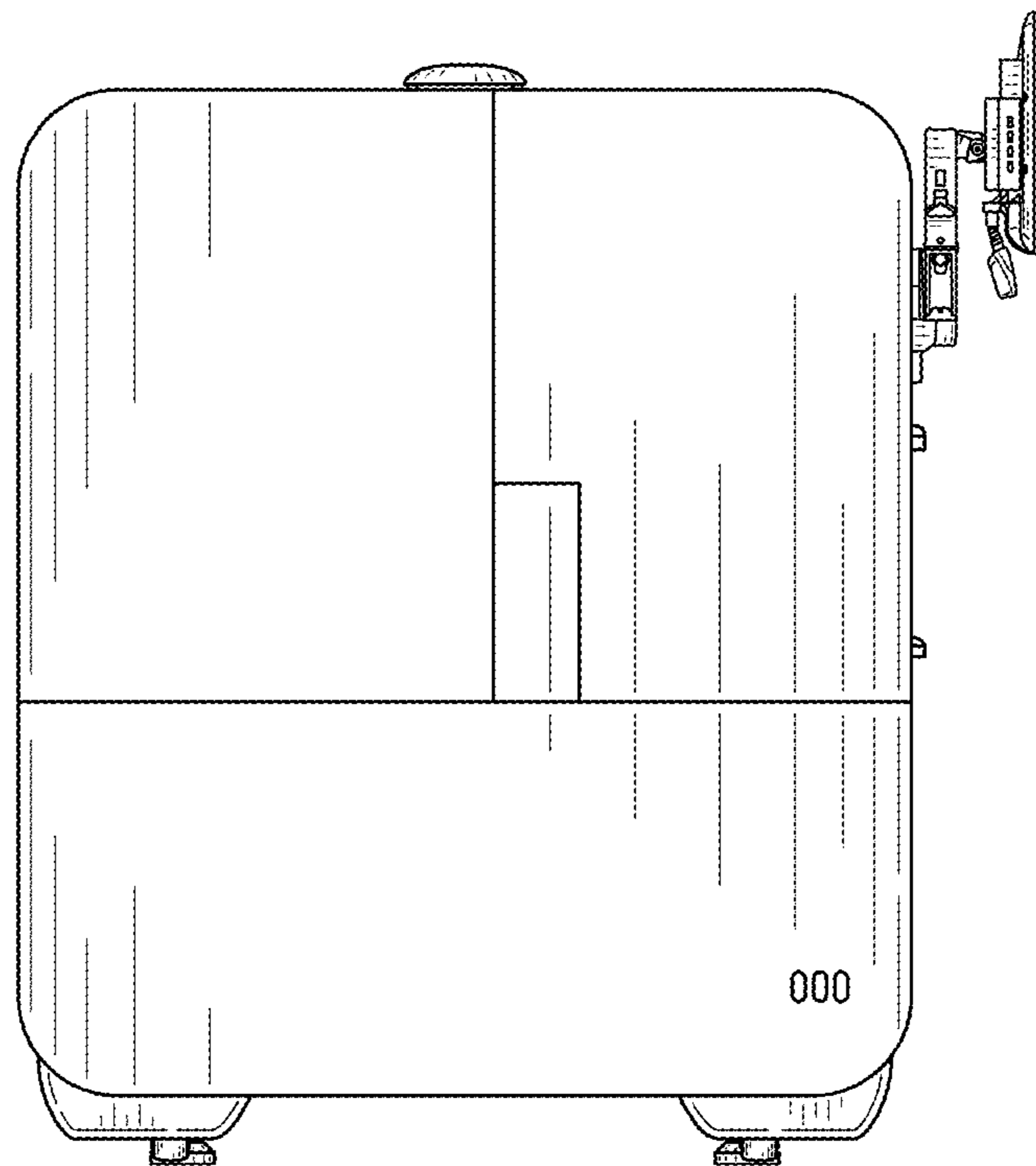


FIG. 12

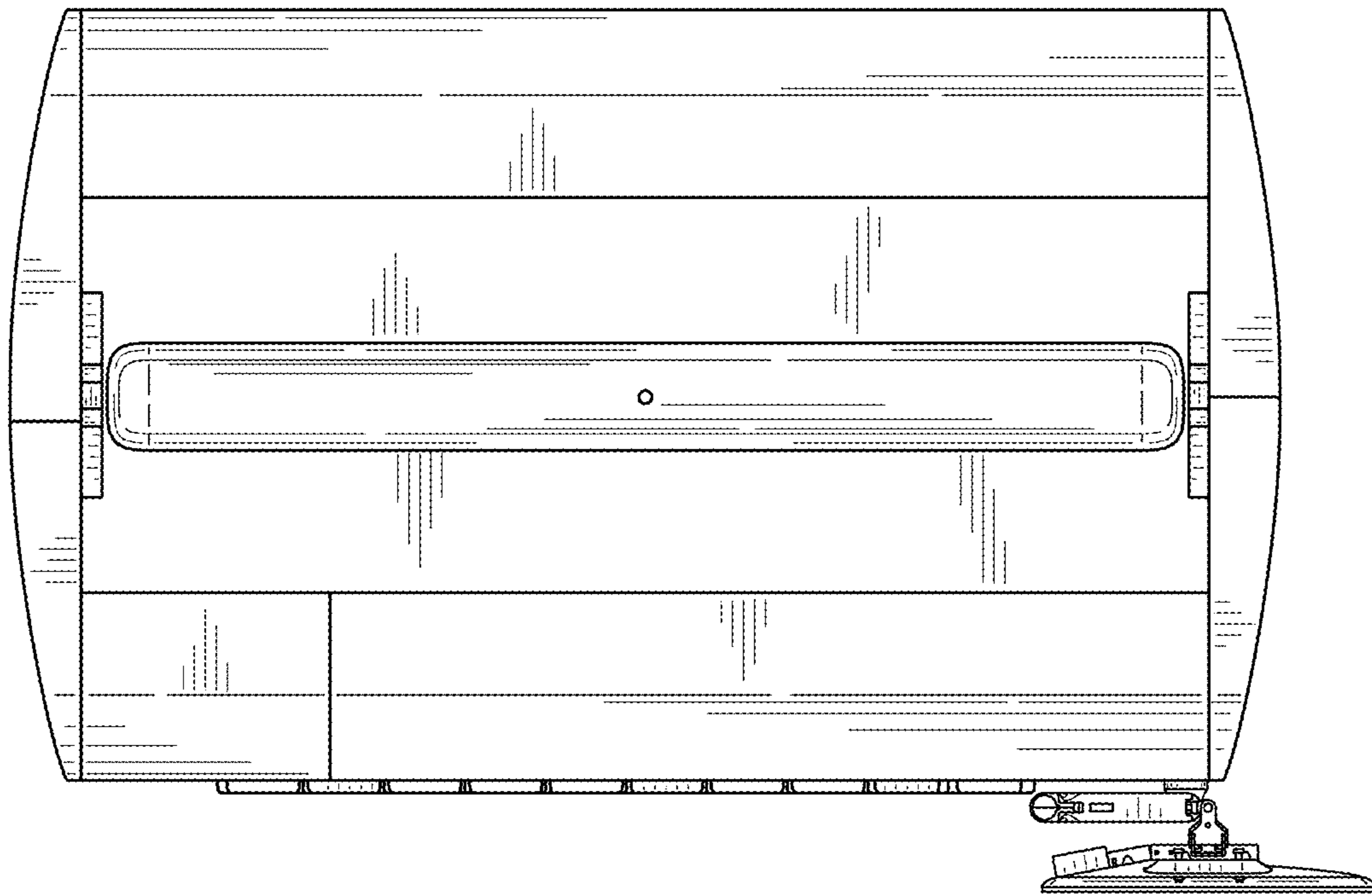


FIG. 13

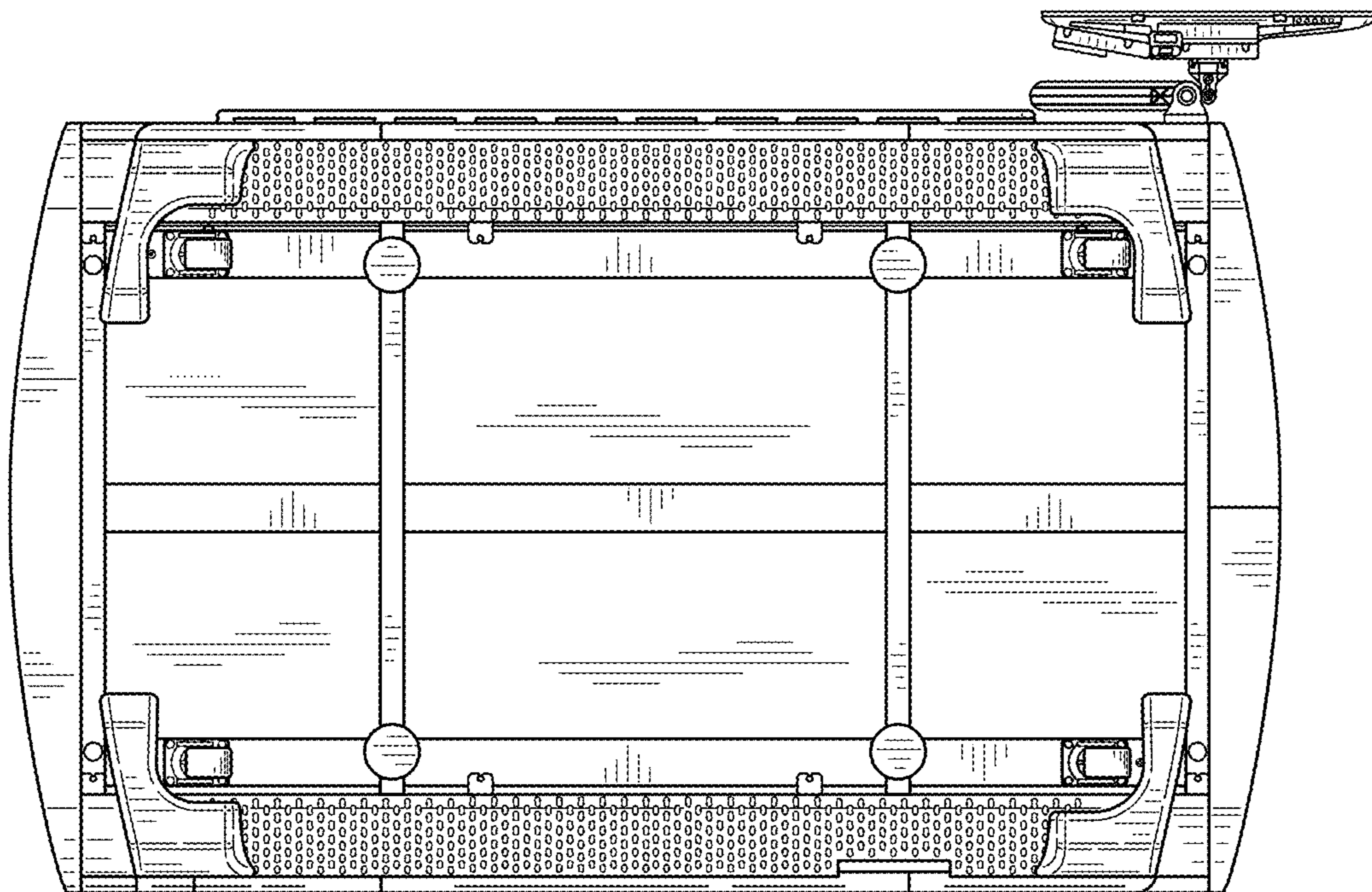


FIG. 14