



US00D777042S

(12) **United States Design Patent**
Cameron

(10) **Patent No.:** **US D777,042 S**

(45) **Date of Patent:** **** Jan. 24, 2017**

(54) **TOOTHPICK ASSEMBLY**
(71) Applicant: **John Cameron**, Troon (GB)
(72) Inventor: **John Cameron**, Troon (GB)
(**) Term: **15 Years**
(21) Appl. No.: **29/540,331**
(22) Filed: **Sep. 23, 2015**

(30) **Foreign Application Priority Data**
Mar. 24, 2015 (EM) 002666164-9992
(51) **LOC (10) Cl.** **09-03**
(52) **U.S. Cl.**
USPC **D9/701**
(58) **Field of Classification Search**
USPC D27/139-141, 172-196; 206/103, 382;
D28/65; D9/701
CPC A61C 15/02
See application file for complete search history.

(56) **References Cited**
U.S. PATENT DOCUMENTS
1,555,111 A * 9/1925 Flowers A61C 15/02
132/329
1,586,919 A * 6/1926 Sakowski A24F 27/12
206/112
1,707,526 A * 4/1929 Kohloff A24F 27/12
206/103
1,819,451 A * 8/1931 Wissig A47G 21/12
206/382
1,999,085 A * 4/1935 Cameron G09F 23/00
206/103
2,035,425 A * 3/1936 Doll A61C 15/02
132/329
2,049,124 A * 7/1936 Linderman B65D 77/08
206/103

2,148,792 A * 2/1939 Yankovitch A24F 27/12
206/103
2,269,196 A * 1/1942 Fried A24F 27/12
206/103
2,798,595 A * 7/1957 Lieberman A24F 27/12
206/103

(Continued)

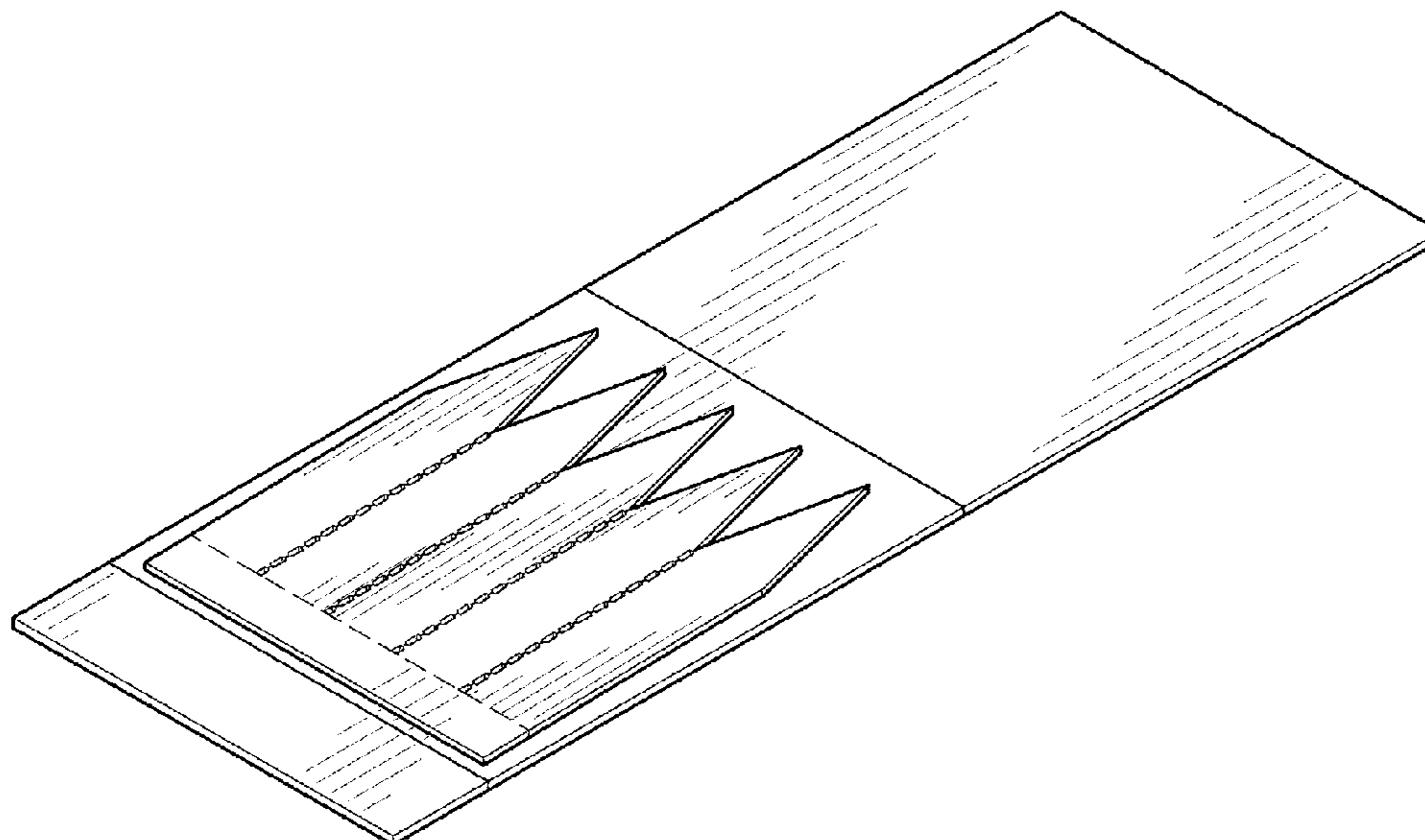
Primary Examiner — George D Kirschbaum
Assistant Examiner — Joseph Kukella
(74) *Attorney, Agent, or Firm* — Andrew W. Chu; Craft
Chu PLLC

(57) **CLAIM**
The ornamental design for a toothpick assembly, as shown
and described.

DESCRIPTION

FIG. 1 is an upper perspective view of the toothpick assembly.
FIG. 2 is a front elevation view thereof, showing the first
pattern of dashed lines and the second pattern of dashed
lines;
FIG. 3 is a back elevation view thereof;
FIG. 4 is a side elevation view thereof;
FIG. 5 is an opposite side elevation view thereof;
FIG. 6 is a top end view thereof, showing the first pattern of
dashed lines;
FIG. 7 is a bottom end view thereof, showing the second
pattern of dashed lines;
FIG. 8 is another upper perspective view of the assembly in
a closed configuration; and,
FIG. 9 is a side perspective view of an isolated toothpick
removed from an interior of the assembly, showing the edges
resulting from separation at the first pattern of dashed lines
and the edge resulting from separation at the second pattern
of dashed lines.
In the drawings, the broken lines depict perforations, which
form a part of the claimed design.

1 Claim, 2 Drawing Sheets



(56)

References Cited

U.S. PATENT DOCUMENTS

3,763,995 A * 10/1973 Paraskevas A24F 27/12
206/102
4,053,048 A * 10/1977 Cohn A24F 27/12
206/106
4,132,307 A * 1/1979 Van Meter A24F 27/12
206/115
6,044,848 A * 4/2000 Huang B65D 75/14
132/321
D697,430 S * 1/2014 Thuesen D9/701
2003/0167670 A1 * 9/2003 Smith G09F 7/04
40/600

* cited by examiner

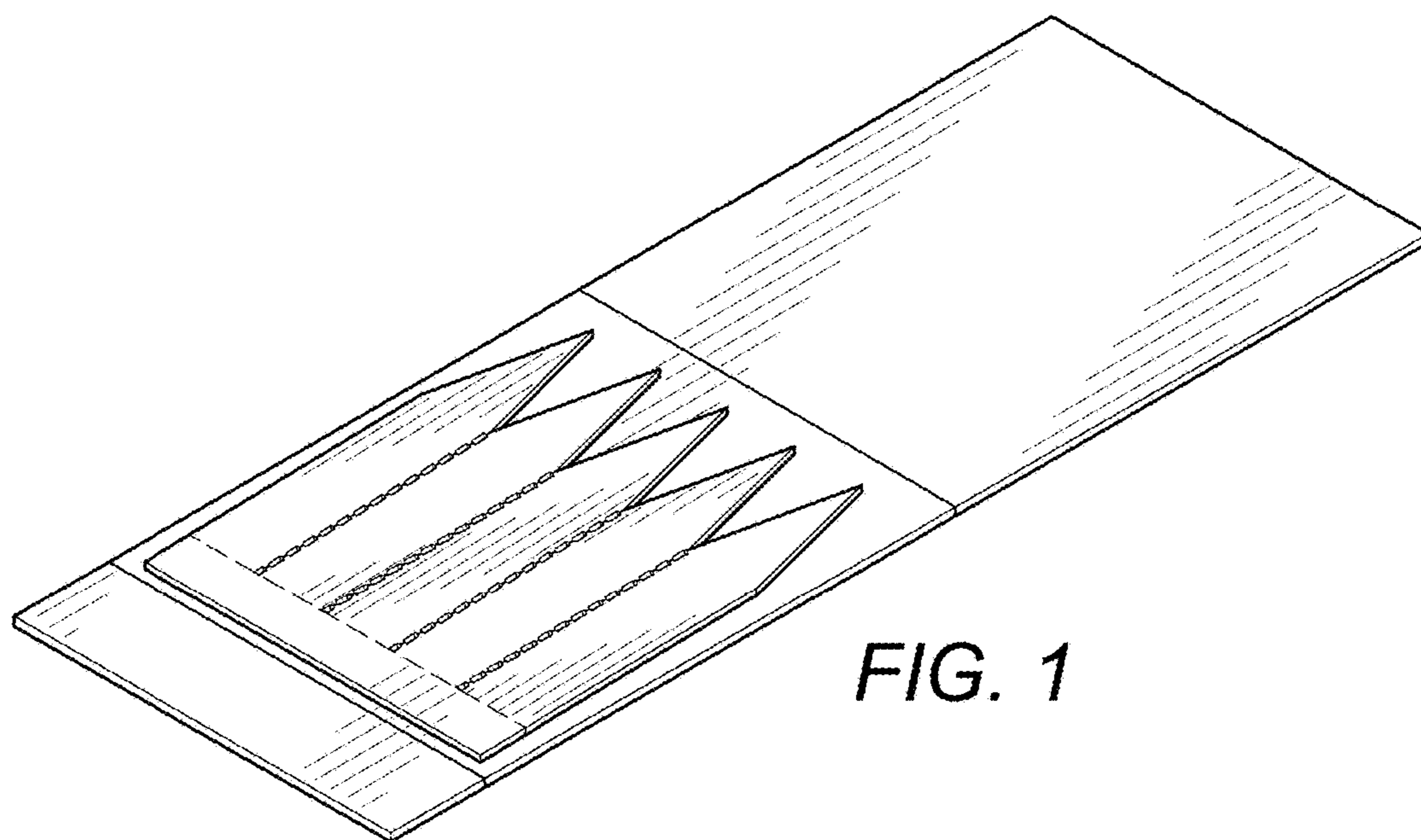


FIG. 1

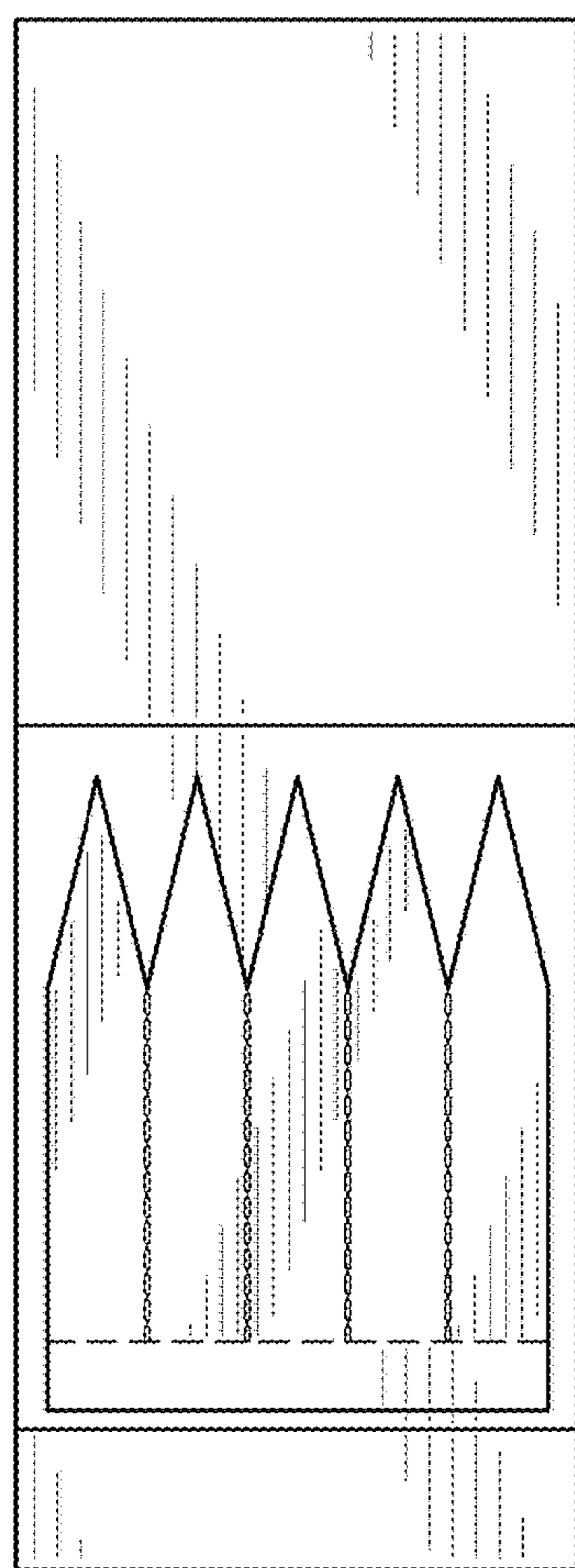


FIG. 2

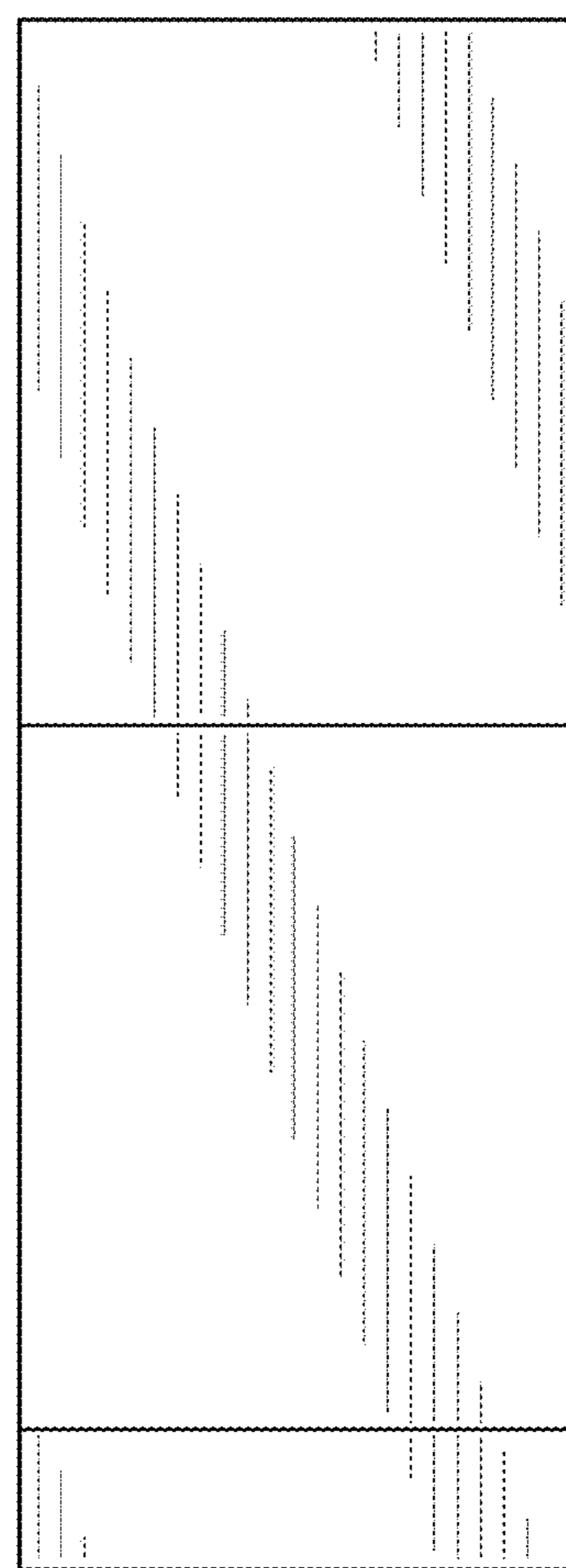


FIG. 3



FIG. 4



FIG. 5

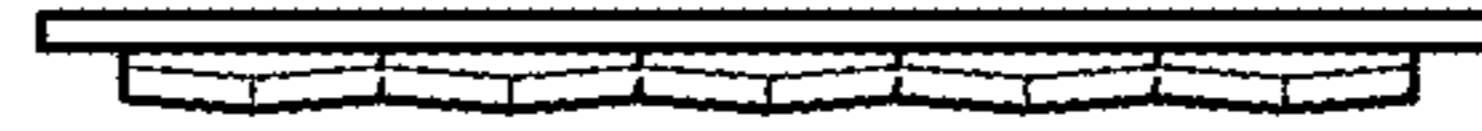


FIG. 6

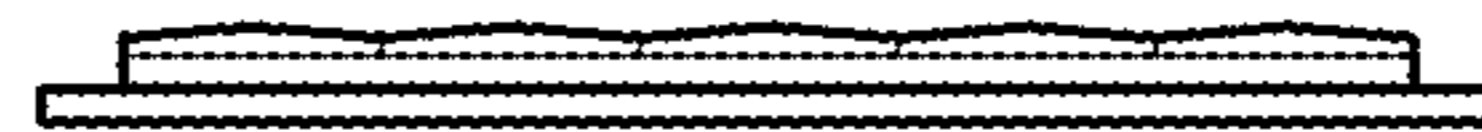


FIG. 7

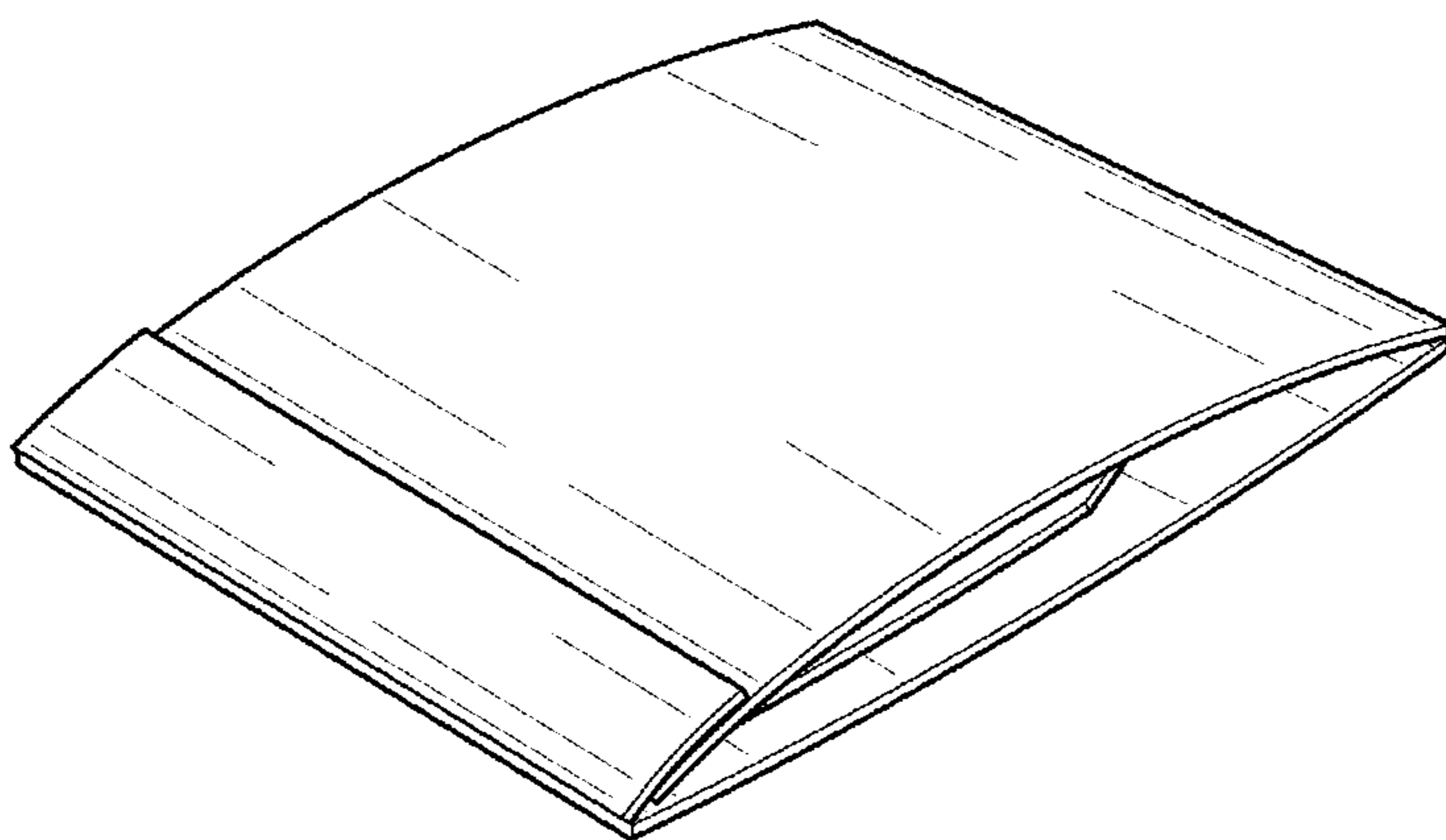


FIG. 8

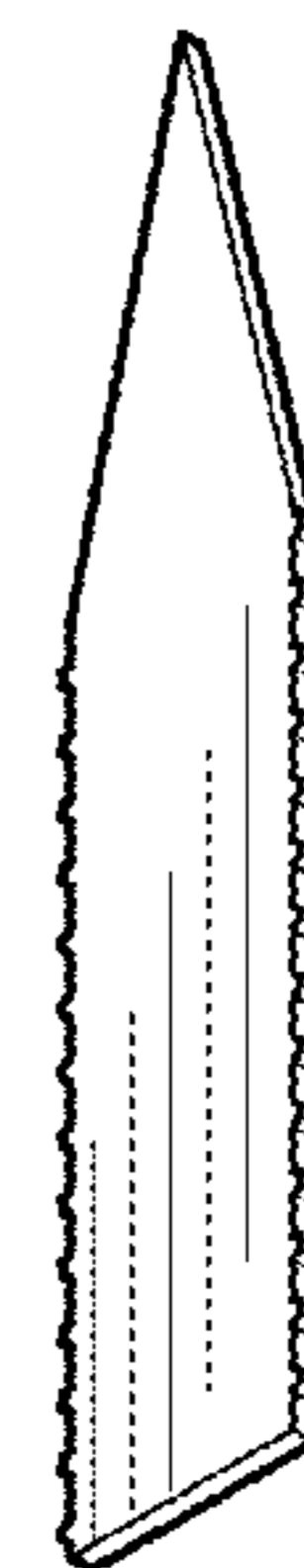


FIG. 9