



US00D777041S

(12) **United States Design Patent**
Hui

(10) **Patent No.:** **US D777,041 S**
(45) **Date of Patent:** **** Jan. 24, 2017**

- (54) **REFILL BOTTLE**
- (71) Applicant: **BEAUTY UNION GLOBAL LIMITED**, Chai Wan (HK)
- (72) Inventor: **Yi Ming Hui**, Guangdong (CN)
- (73) Assignee: **Beauty Union Global Limited**, Chai Wan (HK)
- (**) Term: **14 Years**
- (21) Appl. No.: **29/488,392**
- (22) Filed: **Apr. 18, 2014**

D279,511 S *	7/1985	Matsubara et al.	D28/91.1
D281,054 S *	10/1985	Menrad	D9/688
D298,364 S *	11/1988	Simonetti	D28/85
D350,896 S *	9/1994	Lang et al.	D9/727
D353,044 S *	12/1994	Riley	D3/228
D405,358 S *	2/1999	Dapsanse	D9/663
D508,208 S *	8/2005	Ozaki et al.	D9/688
D516,923 S *	3/2006	Moore	D9/682
D548,095 S *	8/2007	McGuinness	D9/529
D583,678 S *	12/2008	Yamamoto	D9/692
7,600,936 B2 *	10/2009	Landow	401/19
D650,690 S *	12/2011	Guglielmo et al.	D9/559
8,079,388 B2 *	12/2011	Turgeman	141/113
D655,615 S *	3/2012	Servaire	D9/630

(Continued)

(30) **Foreign Application Priority Data**

Oct. 20, 2013 (IL) 54714

(51) **LOC (10) Cl.** **09-01**

(52) **U.S. Cl.**
USPC **D9/687**

(58) **Field of Classification Search**

USPC D9/682-694, 739, 500-505, 516, 517,
D9/520, 521, 529, 434-436, 444, 445,
D9/447-449, 600-681, 715, 719, 741,
D9/744-746, 559-575, 723-729; D28/76,
D28/77, 85, 86, 91.1

CPC A45D 34/00; A45D 34/005; A45D 34/007;
A45D 34/02; B05B 11/00; B05B 11/0035;
B05B 11/0054; B05B 11/3001; B05B
11/3046; B65D 83/14; B65D 83/16;
B65D 83/20; B65D 83/22; B65D 83/38;
B65D 83/384; B65D 83/40; B65D 83/205;
B65D 83/206

See application file for complete search history.

(56) **References Cited**

U.S. PATENT DOCUMENTS

D85,737 S *	12/1931	De Wagner	D9/529
D123,709 S *	11/1940	Wood	D28/85

FOREIGN PATENT DOCUMENTS

CN	3022264984	*	1/2013
EM	001930173-0001	*	10/2011

(Continued)

Primary Examiner — Catherine Tuttle

(74) *Attorney, Agent, or Firm* — William Dippert;
Laurence Greenberg; Werner Stemer

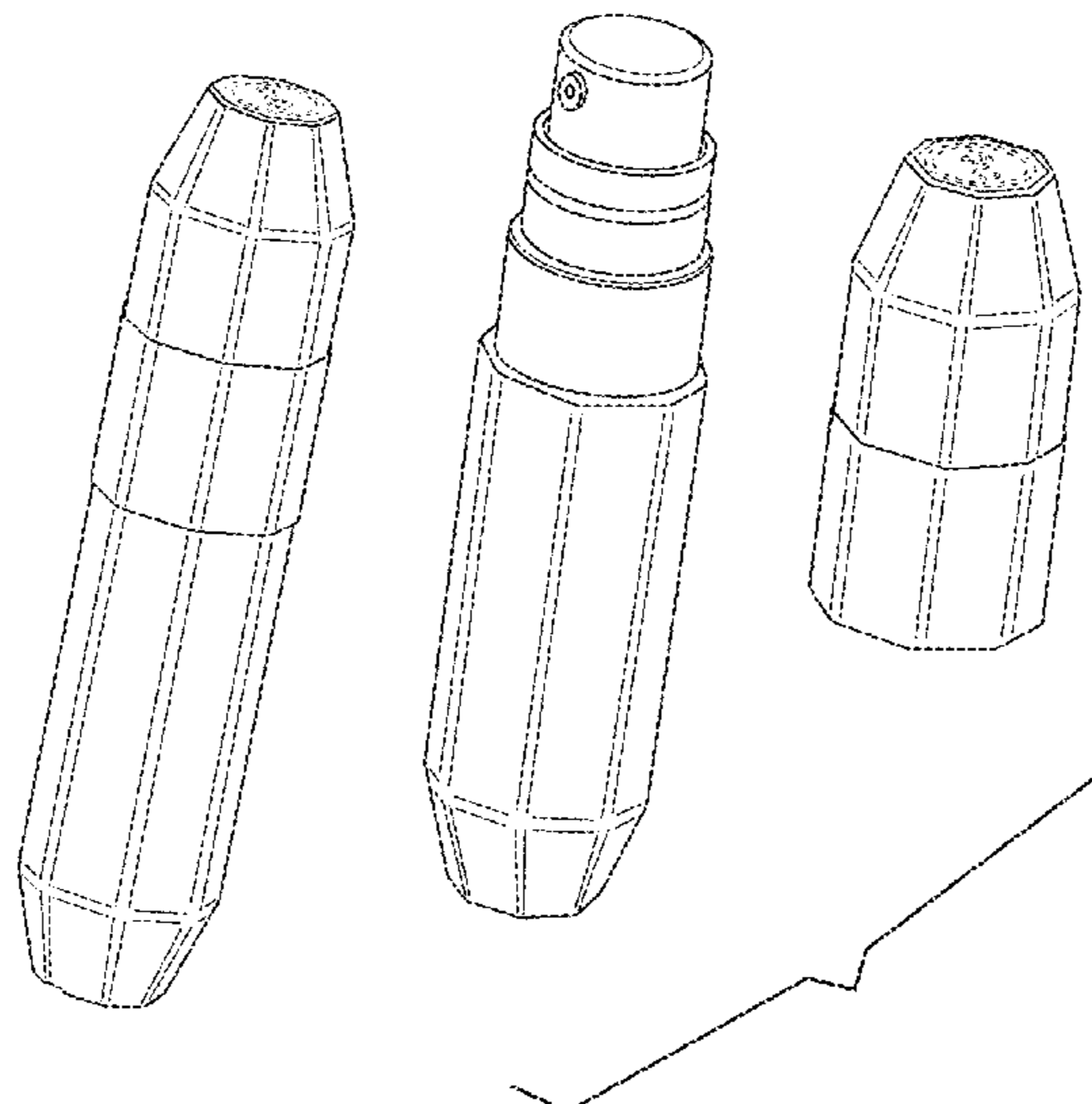
(57) **CLAIM**

The ornamental design for a refill bottle, as shown and described.

DESCRIPTION

FIG. 1 is an isometric view of the refill bottle showing my new design;
 FIG. 2 is a right side elevation view thereof;
 FIG. 3 is a left side elevation view thereof;
 FIG. 4 is a bottom plan view thereof;
 FIG. 5 is a top plan view thereof; and,
 FIG. 6 is an isometric view thereof shown with the cover and underlying portions in a separated state.
 The broken lines are included for the purpose of illustrating the top and bottom surface portions of the refill bottle that form no part of the claimed design.

1 Claim, 3 Drawing Sheets



(56)

References Cited

U.S. PATENT DOCUMENTS

D658,071 S * 4/2012 Lanz D9/600
D694,120 S * 11/2013 Baussan D9/652
D695,627 S * 12/2013 Chen D9/687
2003/0059453 A1* 3/2003 Bianchi 424/401
2014/0097208 A1* 4/2014 Sauvage et al. 222/183

FOREIGN PATENT DOCUMENTS

EM 001959149-0003 * 12/2011
KR 300421407.0000 * 8/2006

* cited by examiner

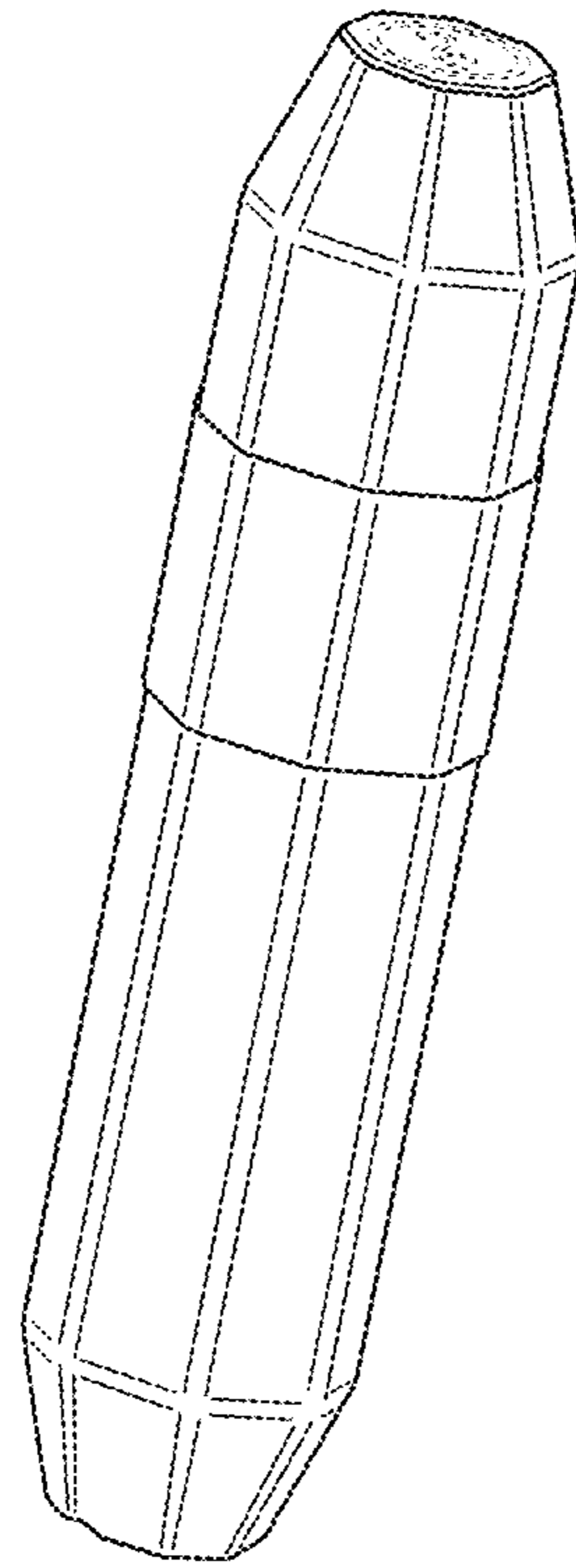


Fig. 1

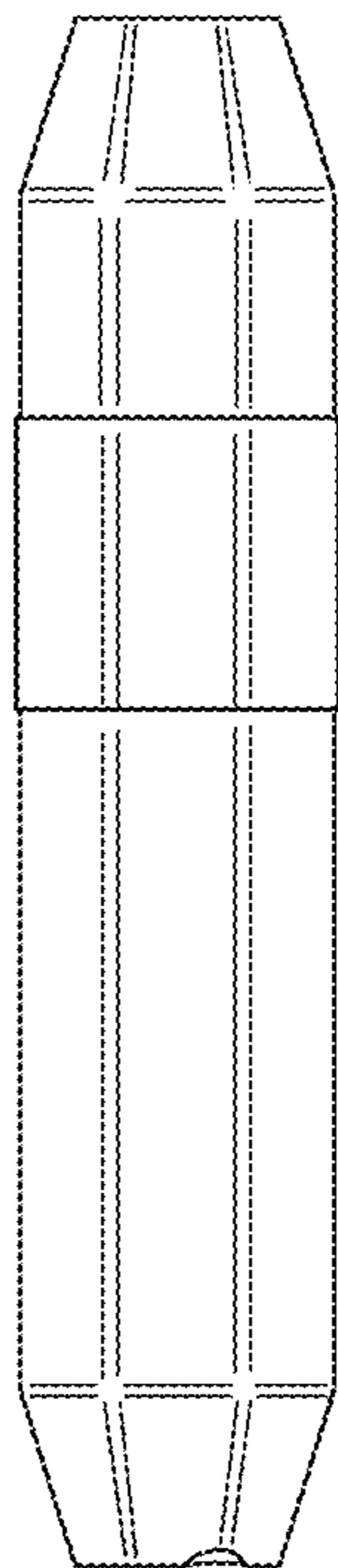


Fig. 2

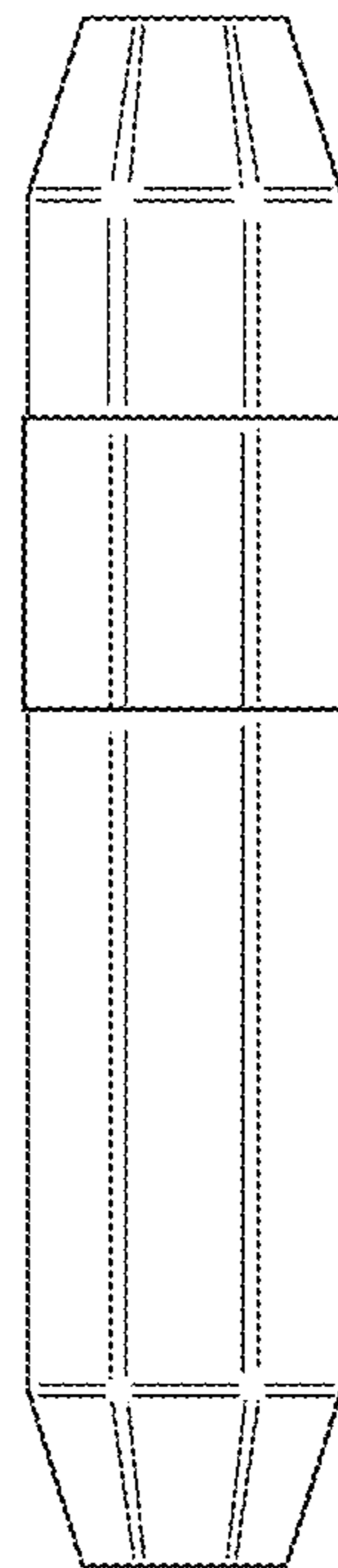


Fig. 3

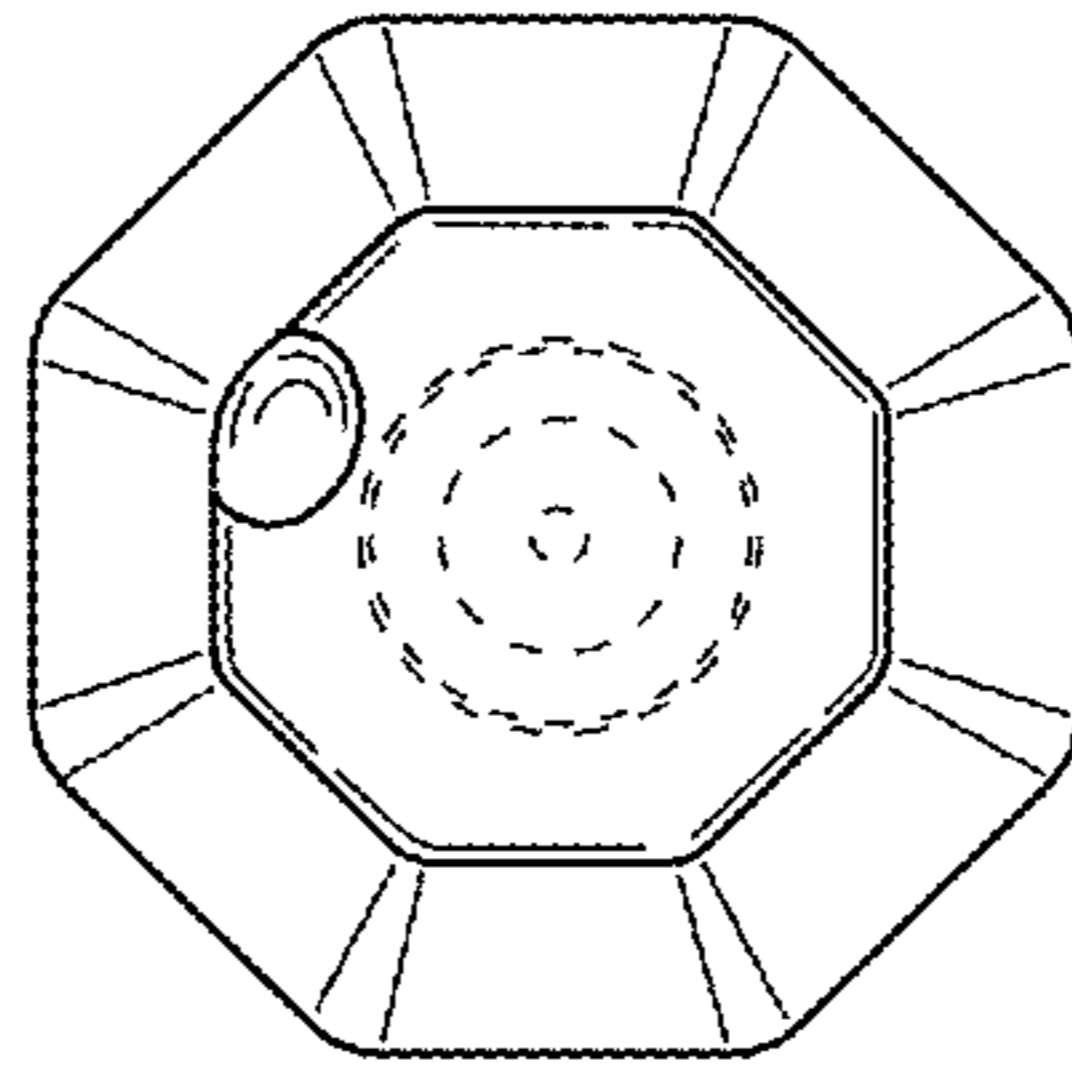


Fig. 4

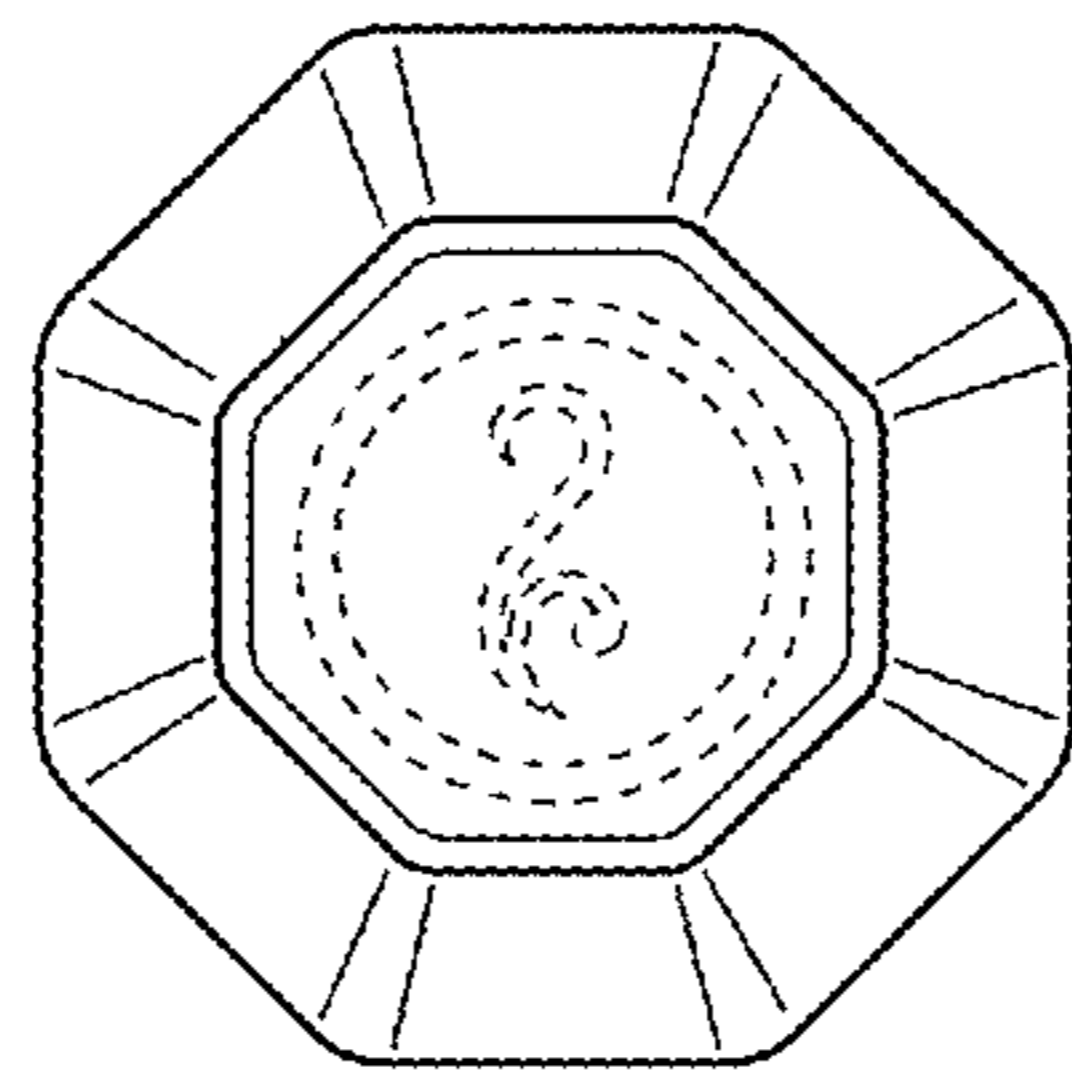


Fig. 5

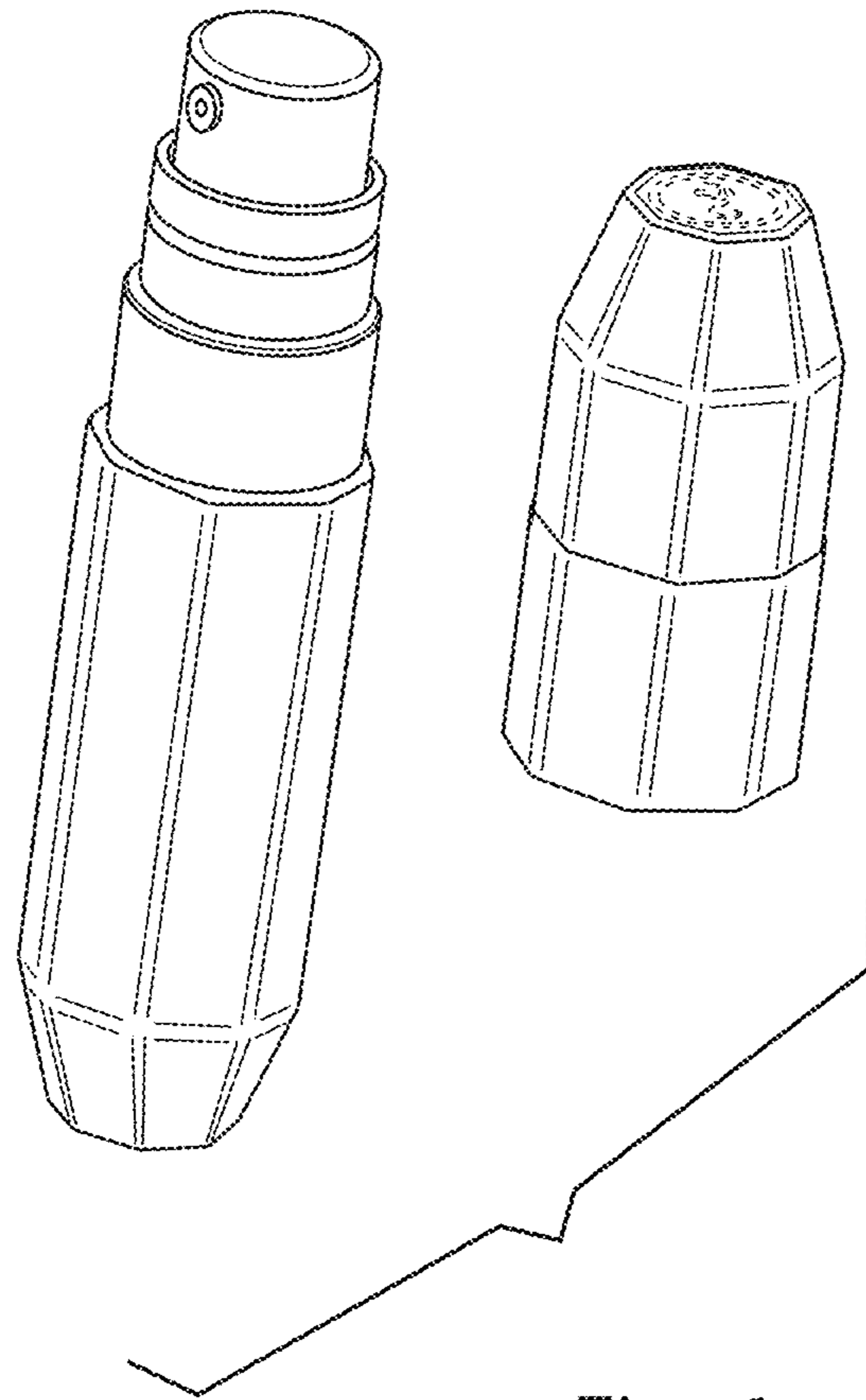


Fig. 6