



US00D777037S

(12) **United States Design Patent** (10) **Patent No.:** **US D777,037 S**  
**Serafin et al.** (45) **Date of Patent:** **\*\* Jan. 24, 2017**

(54) **BOTTLE** 5,937,866 A \* 8/1999 Magharehi ..... A45D 19/02  
401/209  
(71) Applicant: **Wm. Bolthouse Farms, Inc.,** D447,695 S 9/2001 Lloyd  
Bakersfield, CA (US) D451,812 S 12/2001 De Giovellina  
D481,640 S 11/2003 Biesecker  
(72) Inventors: **Michael Serafin,** Downers Grove, IL D488,070 S 4/2004 Yourist  
(US); **Daniel Y. Chung,** Chicago, IL D491,069 S 6/2004 Heliste et al.  
(US) D531,043 S \* 10/2006 Houtart ..... D9/432  
D535,566 S 1/2007 Lin  
D537,726 S 3/2007 Elgebrant  
D539,662 S 4/2007 Lascaux  
(73) Assignee: **Wm. Bolthouse Farms, Inc.,** D548,101 S 8/2007 Elgebrant  
Bakersfield, CA (US)  
(Continued)

(\*\*) Term: **14 Years**

FOREIGN PATENT DOCUMENTS

(21) Appl. No.: **29/520,701**

CA 103739 6/2004

(22) Filed: **Mar. 17, 2015**

OTHER PUBLICATIONS

(51) **LOC (10) Cl.** ..... **09-01**

(52) **U.S. Cl.**

USPC ..... **D9/560; D9/558; D9/435; D9/445**

(58) **Field of Classification Search**

USPC ..... D9/682, 686-687, 689, 691-694, 725,  
D9/763, 772-773, 775, 779, 516, 519,  
D9/521-522, 526, 529-530, 537-543,  
D9/549-550, 552, 556-561, 565, 571,  
D9/574-575, 435, 444, 445; 215/379,  
215/381-385; 220/660, 669, 675

See application file for complete search history.

“U.S. Trademark Registration No. 3,259,981,” consisting of a cylindrical beverage container with a cylindrical lid, 2007, Voss of Norway ASA, Oslo, Norway.

*Primary Examiner* — Carol P Rademaker

(74) *Attorney, Agent, or Firm* — Pauly, DeVries Smith & Deffner, L.L.C.

(57) **CLAIM**

The ornamental design for a bottle, as shown and described.

(56) **References Cited**

**DESCRIPTION**

U.S. PATENT DOCUMENTS

D37,641 S 11/1905 Hitzl  
3,581,926 A \* 6/1971 Roder ..... B65D 41/0471  
215/330  
D225,327 S \* 12/1972 Marsh ..... D23/207  
D270,241 S \* 8/1983 Ballereaud ..... D9/435  
D287,340 S \* 12/1986 Dinand ..... D9/529 X  
4,966,479 A \* 10/1990 Idec ..... B65D 83/0011  
401/68  
D395,396 S 6/1998 Kuzma et al.  
D399,756 S 10/1998 Lonczak et al.

FIG. 1 is a top, front, and right side perspective view of a bottle;

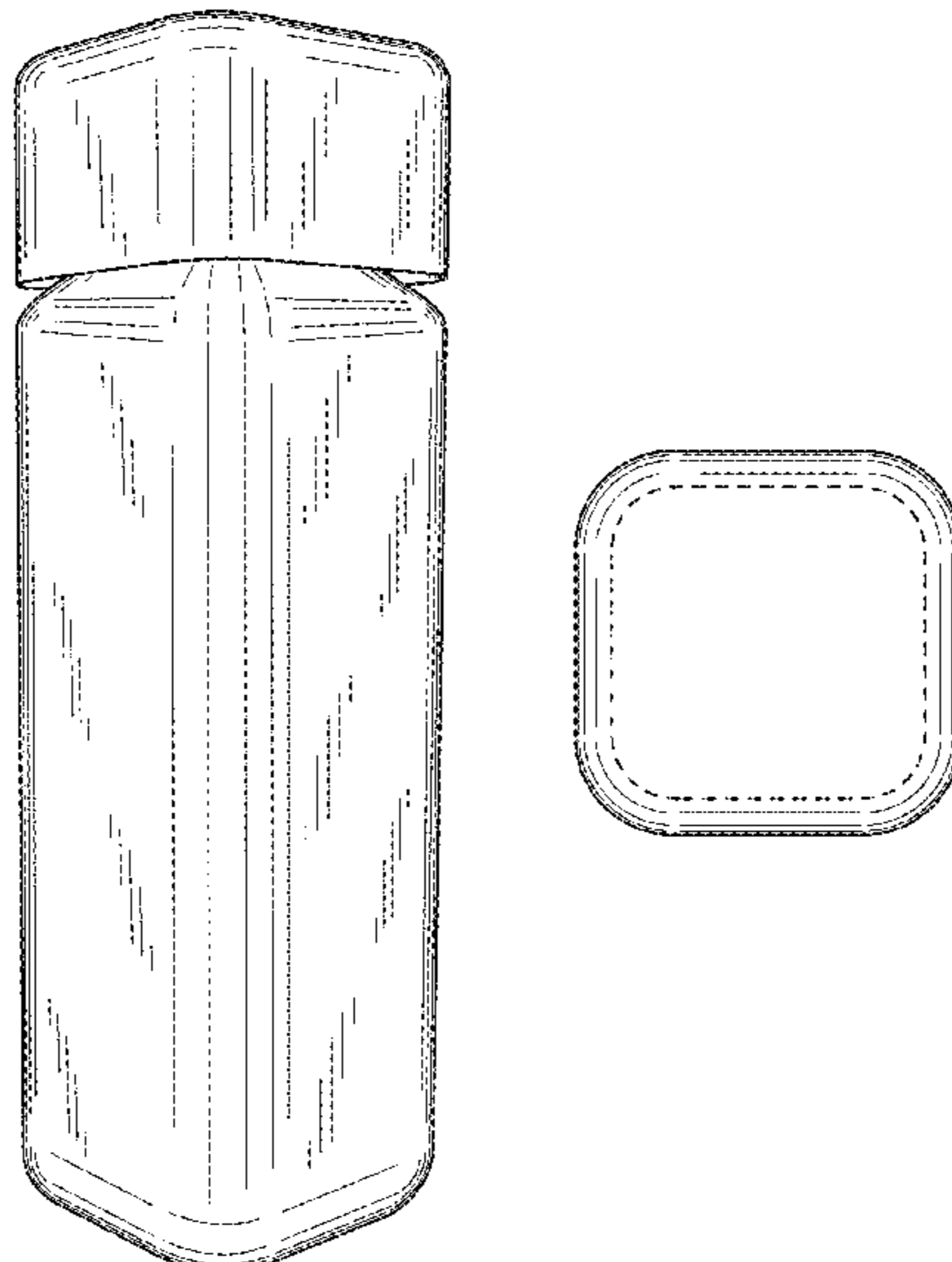
FIG. 2 is a front elevational view thereof, The back, right side, and left side elevational views being identical;

FIG. 3 is a top plan view thereof; and,

FIG. 4 is a bottom plan view thereof.

The broken line shown on the bottom surface in the drawing is included for the purpose of illustrating a portion of the bottle that forms no part of the claimed design.

**1 Claim, 1 Drawing Sheet**



(56)

**References Cited**

## U.S. PATENT DOCUMENTS

D548,102 S	8/2007	Waldner	
D548,103 S	8/2007	Waldner	
D561,593 S *	2/2008	Gomez .....	D9/529
D569,734 S	5/2008	Imperato et al.	
D577,599 S	9/2008	Moretti	
D577,600 S *	9/2008	Kim .....	D9/573
D579,336 S *	10/2008	Gurciniene .....	D9/560 X
D589,794 S *	4/2009	Branson .....	D9/435
D602,785 S *	10/2009	Rothberg .....	D9/573 X
D603,717 S *	11/2009	Rica .....	D9/560
D604,175 S *	11/2009	Rica .....	D9/560
D639,669 S *	6/2011	Adler .....	D9/435
D643,295 S	8/2011	Sadler et al.	
D644,108 S *	8/2011	Vila Calvo .....	D9/529
D646,579 S *	10/2011	Rahe .....	D9/560
D682,706 S	5/2013	Weil	
D691,484 S	10/2013	Fitzgerald	
D694,120 S *	11/2013	Baissan .....	D9/560
D696,958 S *	1/2014	Rex .....	D9/574 X
D705,074 S *	5/2014	Della Valle .....	D9/573 X
D712,746 S *	9/2014	Widdison .....	D9/574 X
D715,653 S *	10/2014	Lavigne .....	D9/529
D741,720 S *	10/2015	Anandani .....	D9/560
D756,234 S *	5/2016	Orset .....	D9/560

\* cited by examiner

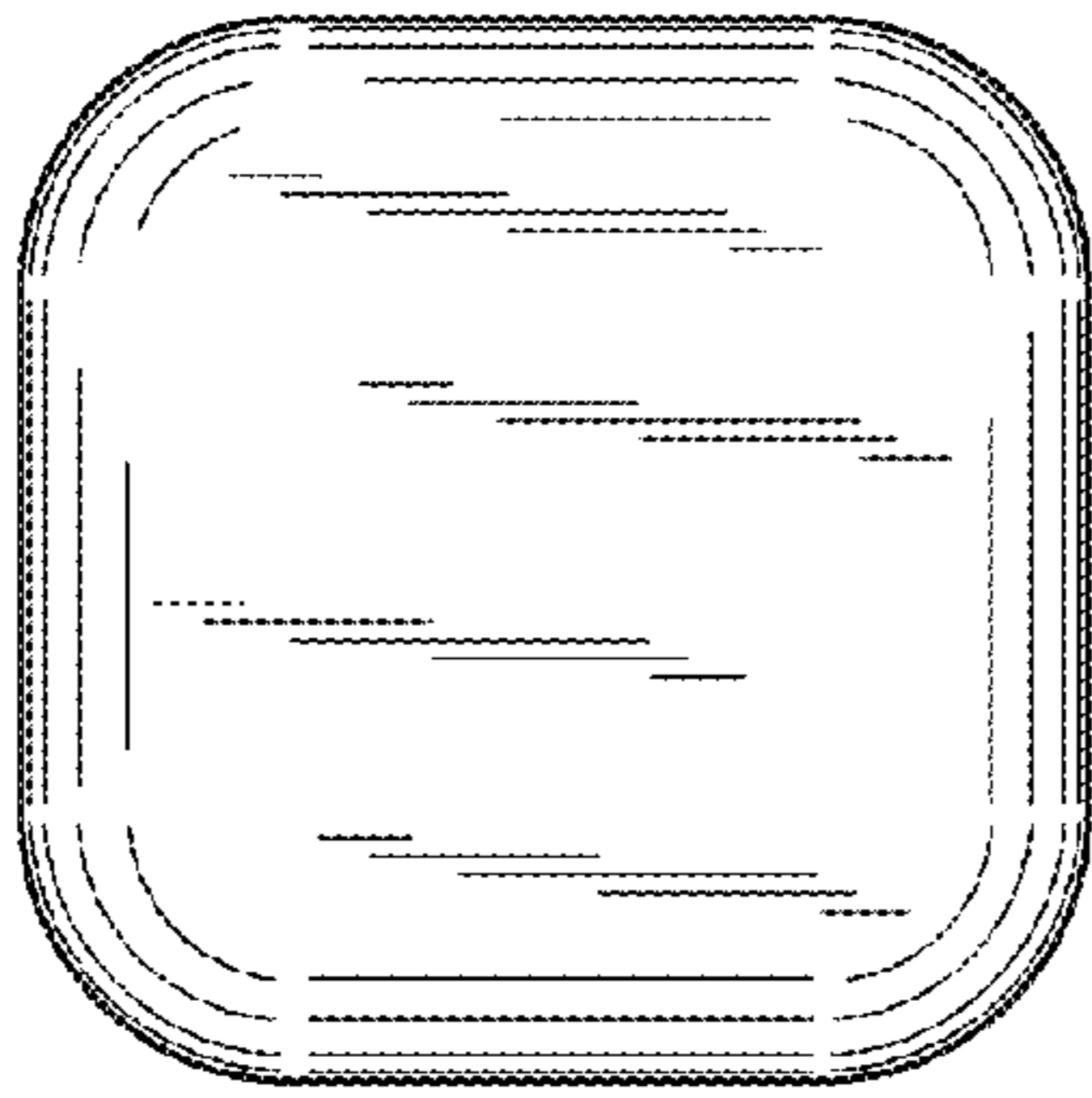


FIG. 3

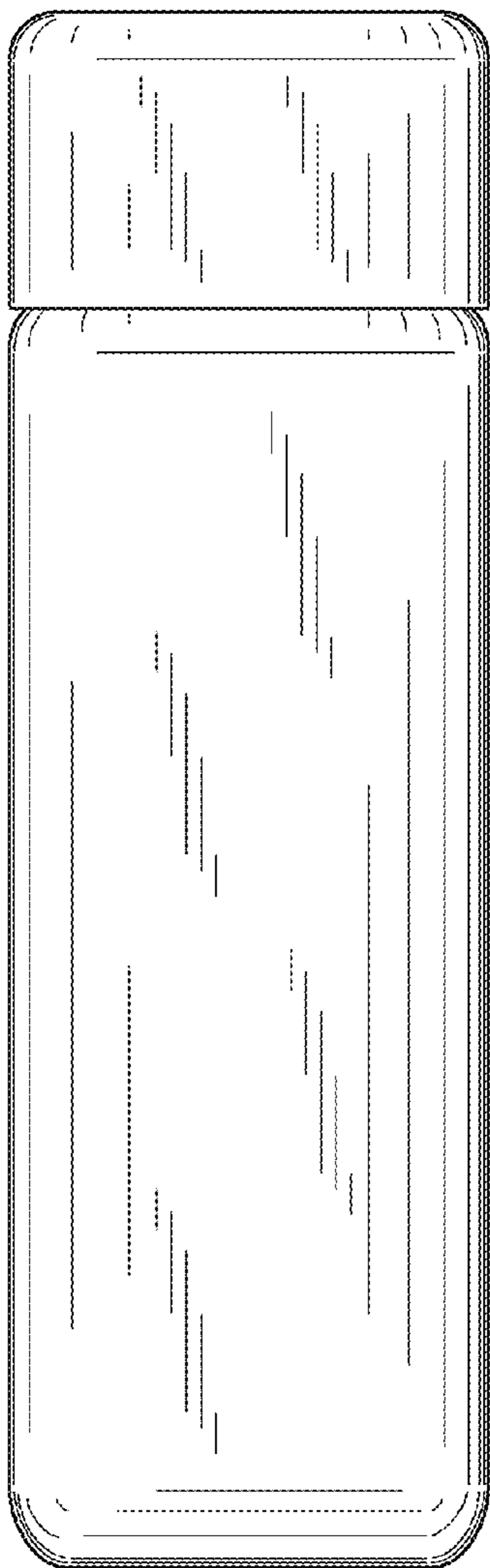


FIG. 2

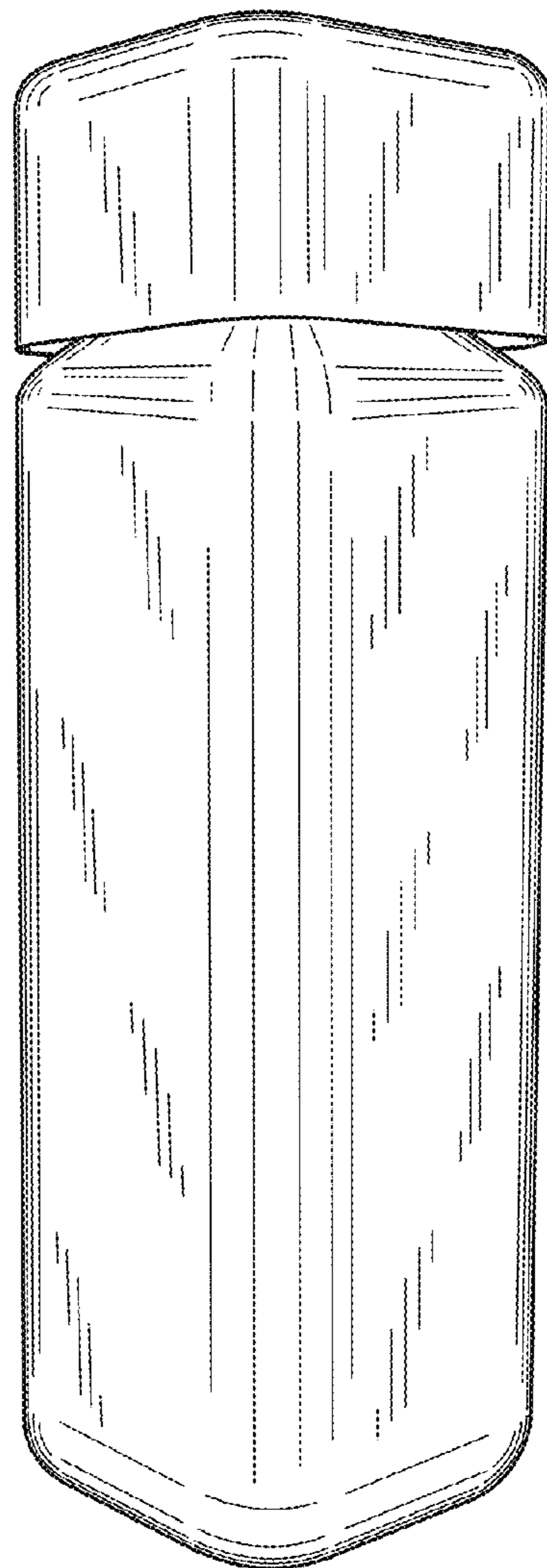


FIG. 1

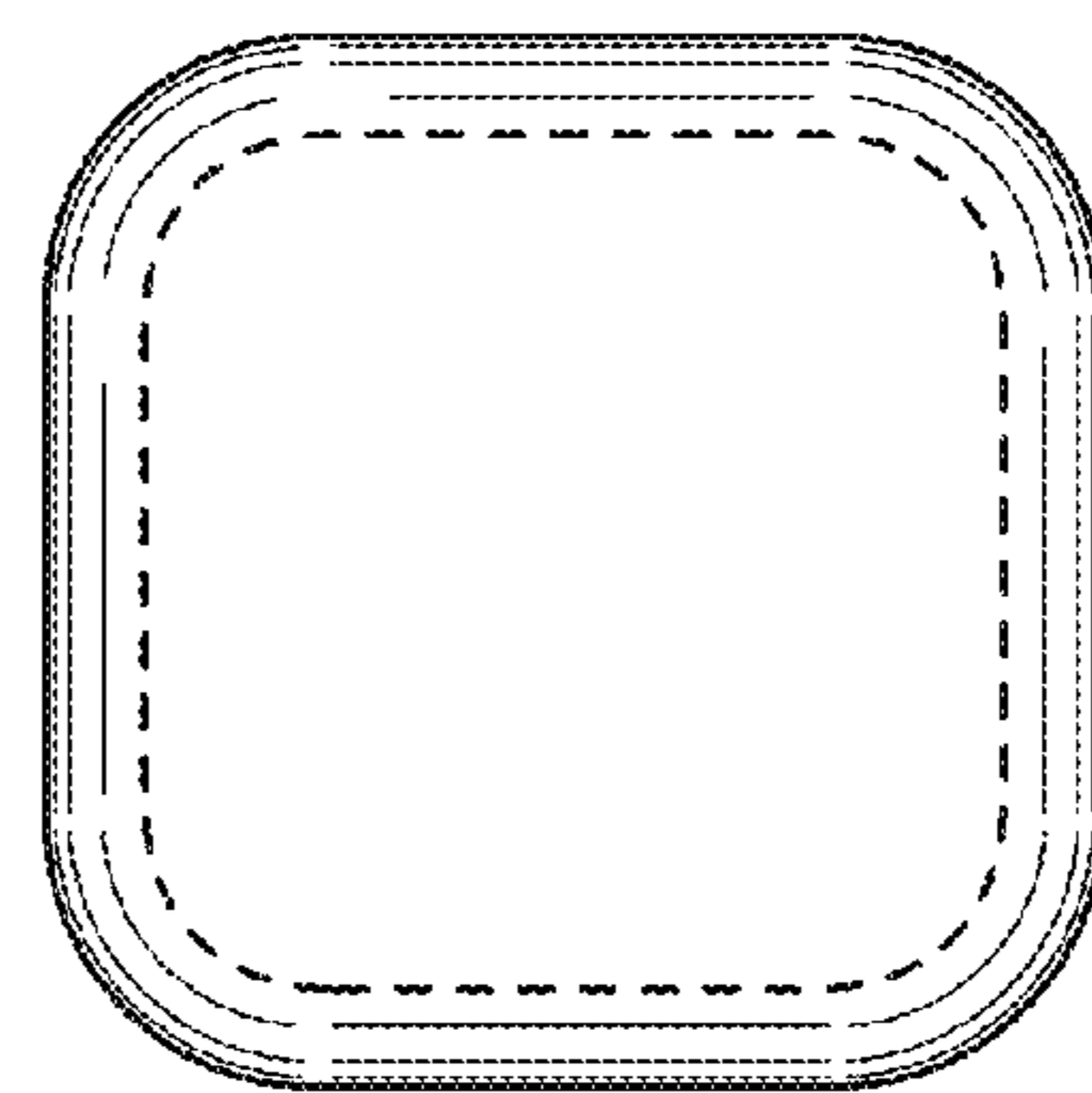


FIG. 4