



US00D777035S

(12) **United States Design Patent** (10) **Patent No.:** **US D777,035 S**  
**Uribe et al.** (45) **Date of Patent:** **\*\* Jan. 24, 2017**

(54) **PACKAGE WITH SURFACE ORNAMENTATION**

(71) Applicant: **The Procter & Gamble Company**, Cincinnati, OH (US)

(72) Inventors: **Geraldine Uribe**, Mason, OH (US); **Julie Seggerson**, Cincinnati, OH (US); **Christine Ann Kron**, Liberty Township, OH (US); **Kristen Burkhardt**, Cincinnati, OH (US); **Jason Walley**, Cincinnati, OH (US)

(73) Assignee: **The Procter & Gamble Company**, Cincinnati, OH (US)

(\*\*) Term: **14 Years**

(21) Appl. No.: **29/523,787**

(22) Filed: **Apr. 14, 2015**

**Related U.S. Application Data**

(62) Division of application No. 29/493,384, filed on Jun. 9, 2014, now Pat. No. Des. 740,651.

(51) **LOC (10) Cl.** ..... **09-99**

(52) **U.S. Cl.**  
USPC ..... **D9/499**

(58) **Field of Classification Search**

USPC ..... D9/434-436, 441, 444, 451, 452, 457, D9/499, 667; D14/485, 489, 492; D20/11, D20/22, 27; 40/124.08; 206/457; 229/116.1

(Continued)

(56) **References Cited**

**U.S. PATENT DOCUMENTS**

D622,610 S \* 8/2010 Powers ..... D9/434  
D622,611 S \* 8/2010 Powers ..... D9/434

(Continued)

*Primary Examiner* — Robert M Spear

*Assistant Examiner* — Darcey E Heflin

(74) *Attorney, Agent, or Firm* — Kelly L. McDow

(57) **CLAIM**

The ornamental design of a package with surface ornamentation, as shown and described.

**DESCRIPTION**

The present application file contains at least one drawing executed in color. Copies of this patent or patent application publication with color drawing(s) will be provided by the Office upon request and payment of the necessary fee.

FIG. 1 is a perspective view of an first embodiment of a package with surface ornamentation embodying our new design;

FIG. 2 is a front view thereof;

FIG. 3 is a right side view thereof;

FIG. 4 is a rear view thereof;

FIG. 5 is a left side view thereof;

FIG. 6 is a top view thereof;

FIG. 7 is a bottom view thereof;

FIG. 8 is a perspective view of a second embodiment of a package with surface ornamentation embodying our new design;

FIG. 9 is a front view thereof;

FIG. 10 is a right side view thereof;

FIG. 11 is a rear view thereof;

FIG. 12 is a left side view thereof;

FIG. 13 is a top view thereof;

FIG. 14 is a bottom view thereof;

FIG. 15 is a perspective view of a third embodiment of a package with surface ornamentation embodying our new design;

FIG. 16 is a front view thereof;

FIG. 17 is a right side view thereof;

FIG. 18 is rear view thereof;

FIG. 19 is a right side view thereof;

FIG. 20 is a top view thereof;

FIG. 21 is a bottom view thereof;

(Continued)

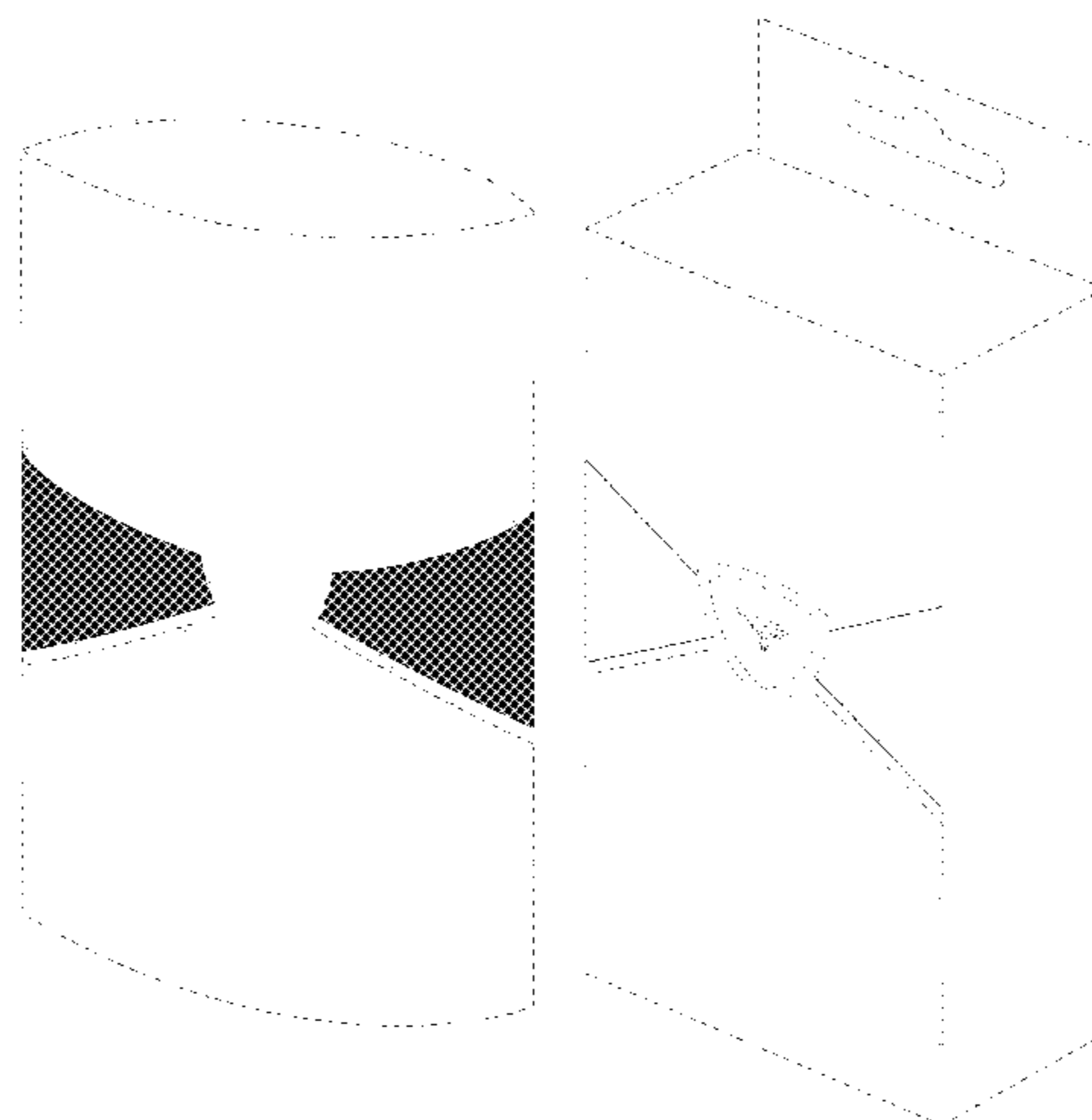


FIG. 22 is a perspective view of a fourth embodiment of a package with surface ornamentation embodying our new design;

FIG. 23 is a front view thereof;

FIG. 24 is a right side view thereof;

FIG. 25 is a left side view thereof;

FIG. 26 is a rear view thereof;

FIG. 27 is a top view thereof;

FIG. 28 is a bottom view thereof;

FIG. 29 is a perspective view of a fifth embodiment of a package with surface ornamentation embodying our new design;

FIG. 30 is a front view thereof;

FIG. 31 is a right side view thereof;

FIG. 32 is a left side view thereof;

FIG. 33 is a rear view thereof;

FIG. 34 is a top view thereof; and,

FIG. 35 is a bottom view thereof.

In FIGS. 8-14, the claim comprises only the two triangular surfaces shown in solid lines.

In the drawings, the broken line showing of a package depicts environment and forms no part of the claim.

**1 Claim, 18 Drawing Sheets  
(8 of 18 Drawing Sheet(s) Filed in Color)**

(58) **Field of Classification Search**

CPC ..... B65D 81/365; B65D 85/16; B65D 5/029  
See application file for complete search history.

(56) **References Cited**

U.S. PATENT DOCUMENTS

D642,911	S	*	8/2011	Gonzalez	.....	D9/434
D652,296	S	*	1/2012	Gonzalez	.....	D9/434
D655,170	S	*	3/2012	Bohache	.....	D9/434
D656,396	S	*	3/2012	Palmieri	.....	D9/434
D656,397	S	*	3/2012	Gonzalez	.....	D9/434
D656,398	S	*	3/2012	Gonzalez	.....	D9/434
D656,399	S	*	3/2012	Gonzalez	.....	D9/434
D675,094	S	*	1/2013	Gotur	.....	D9/434
D686,068	S	*	7/2013	DiFranza	.....	D9/434
D706,630	S	*	6/2014	Merchant	.....	D9/434
D714,141	S	*	9/2014	Robinson	.....	D20/22
D740,651	S	*	10/2015	Uribe	.....	D9/414

\* cited by examiner

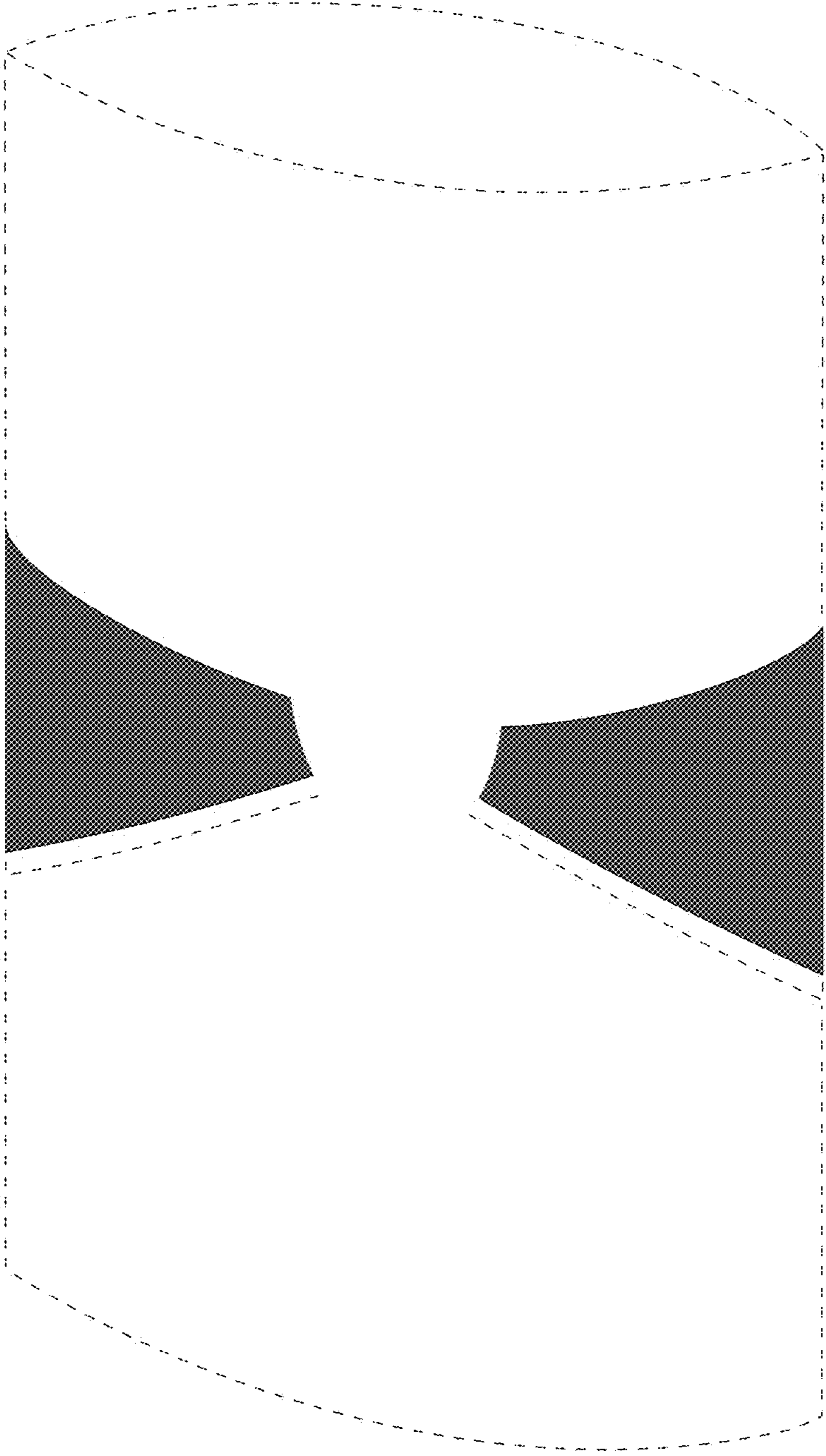


Fig. 1

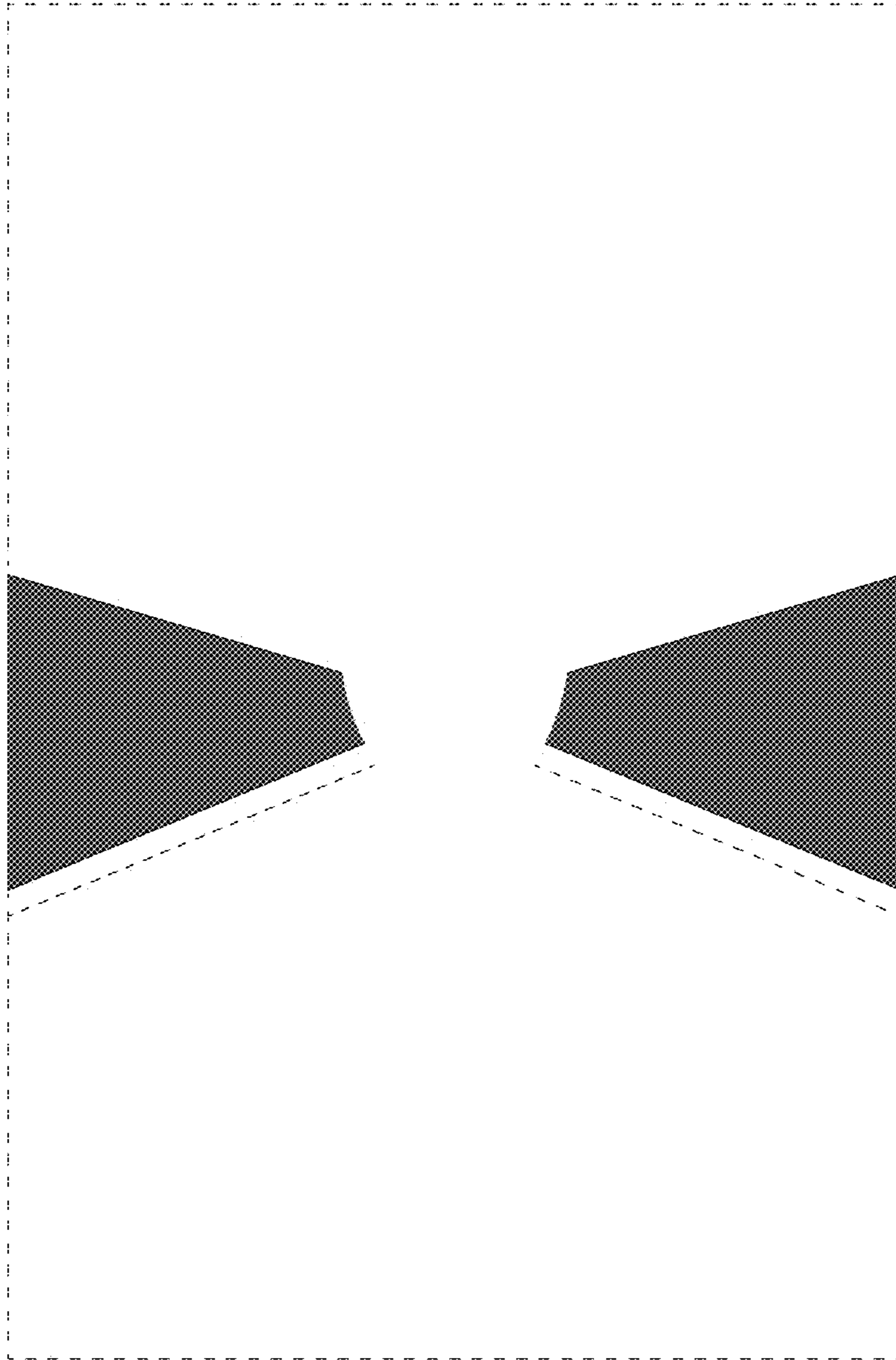


Fig. 2



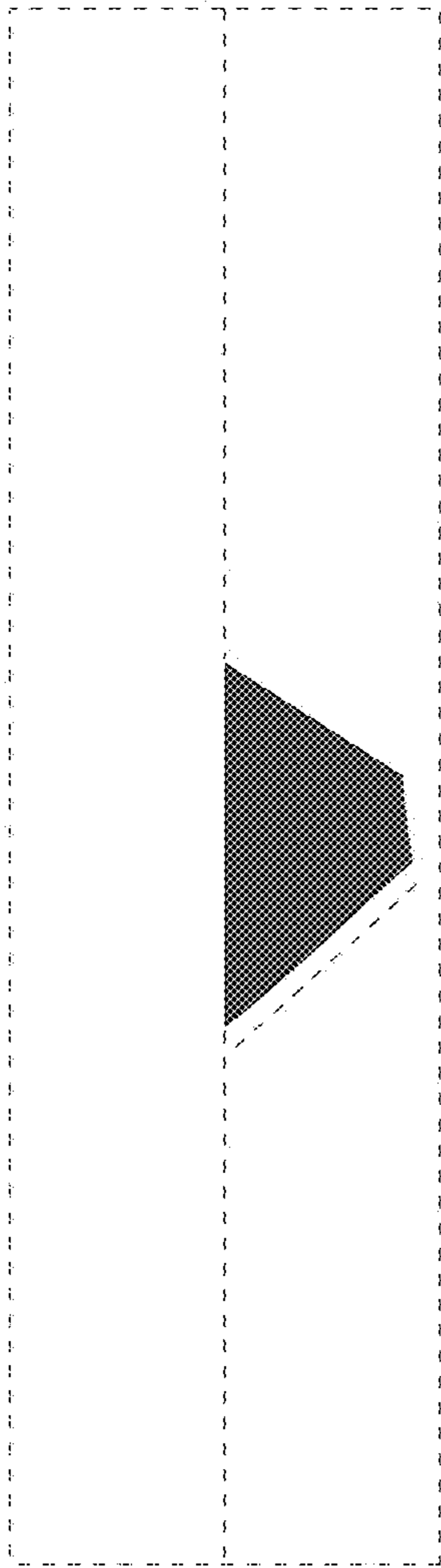


Fig. 3



Fig. 4

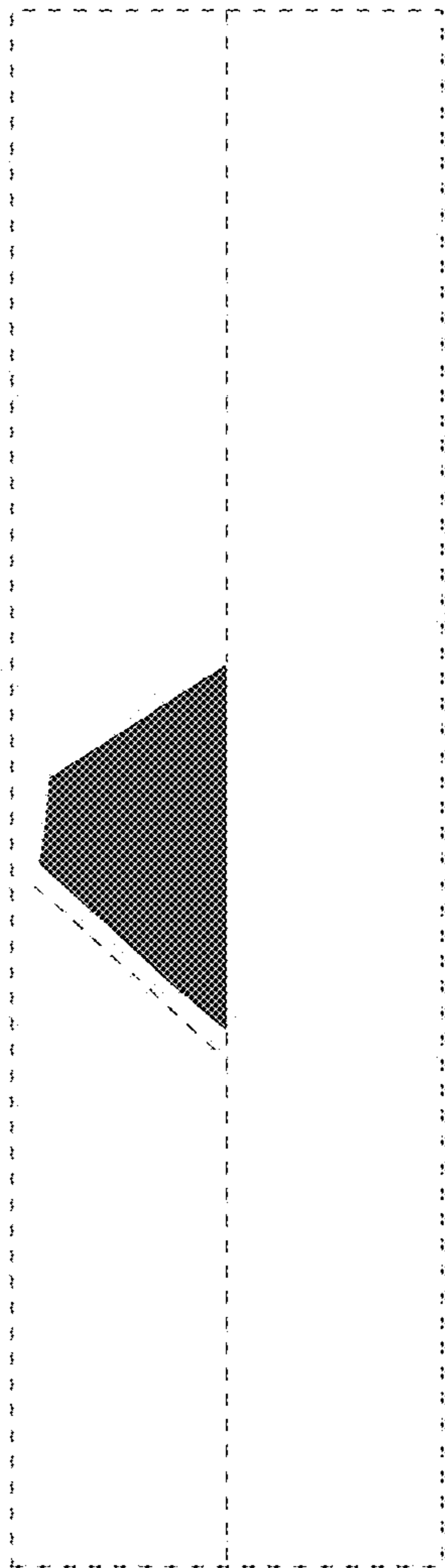


Fig. 5

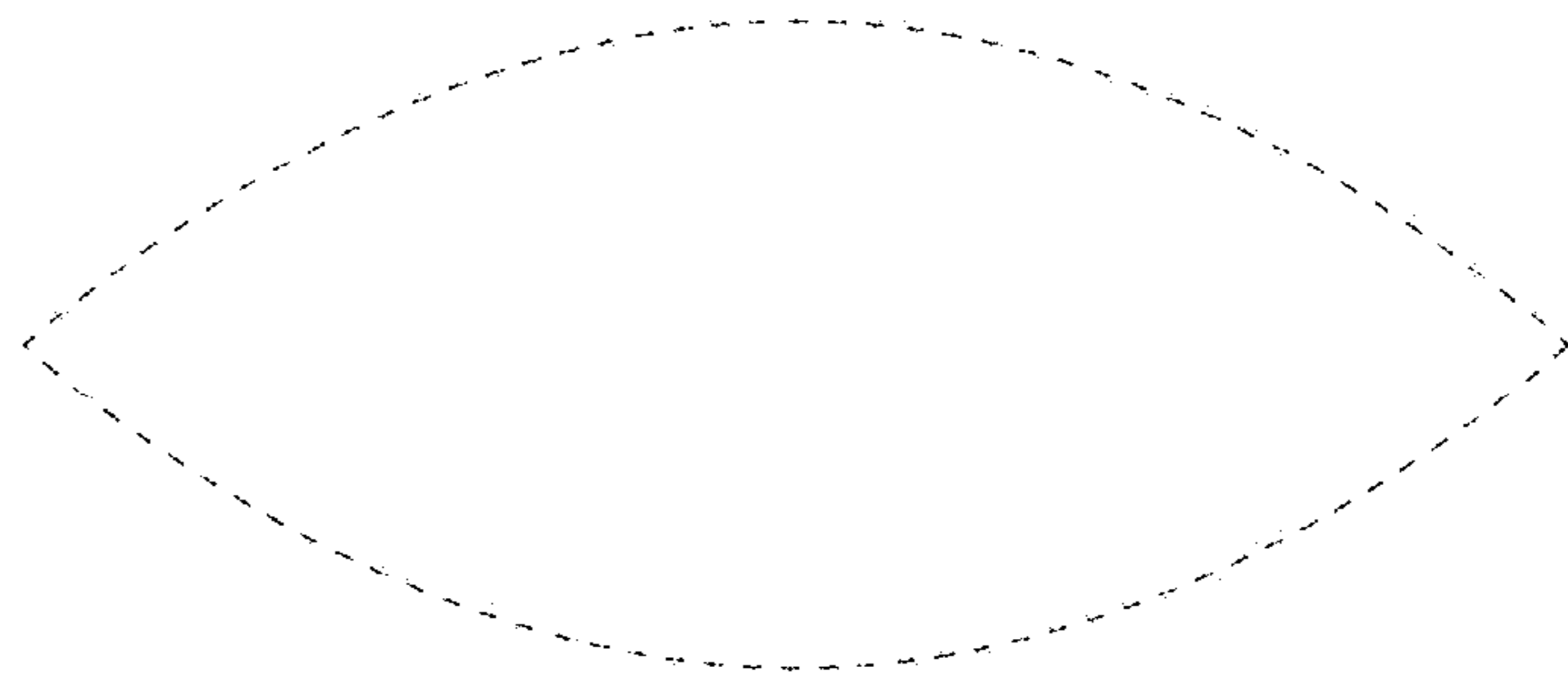


Fig. 6

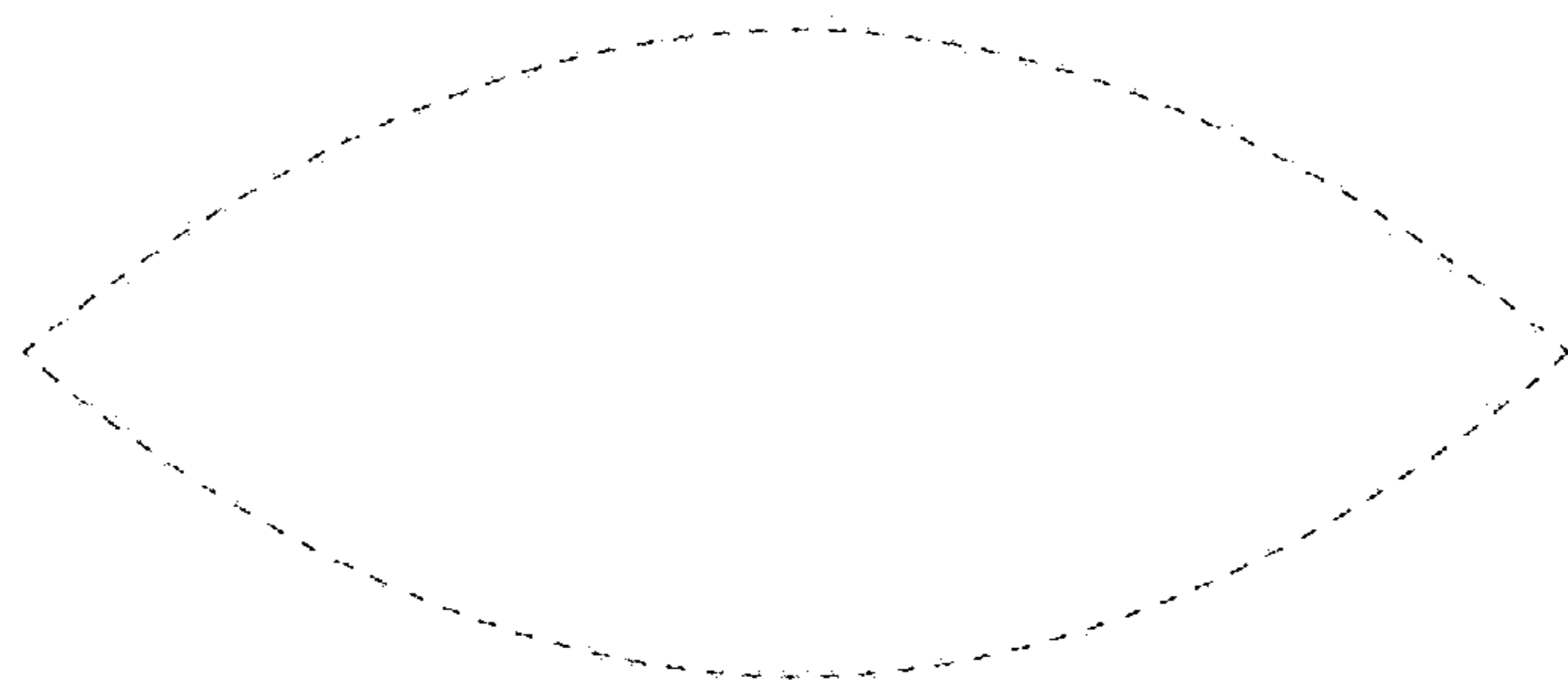


Fig. 7

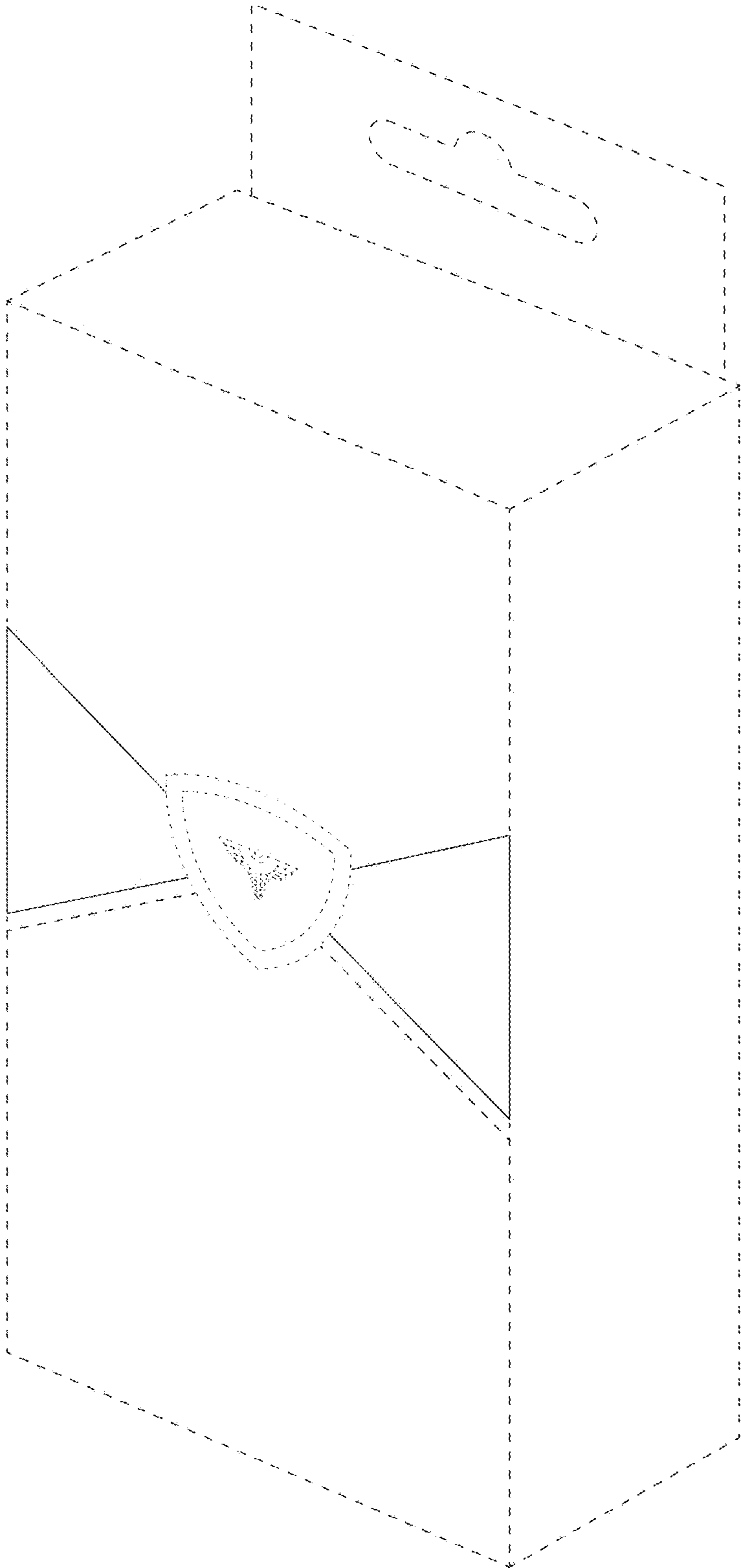


Fig. 8

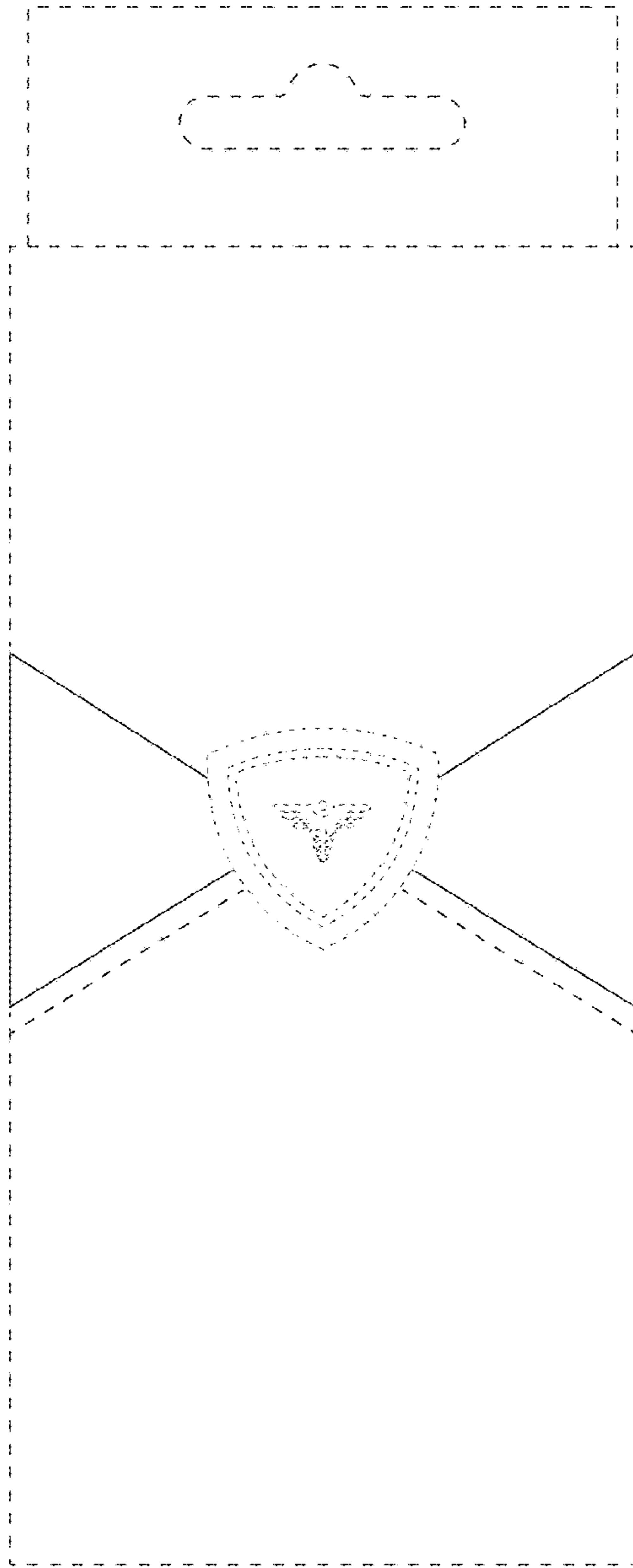


Fig. 9

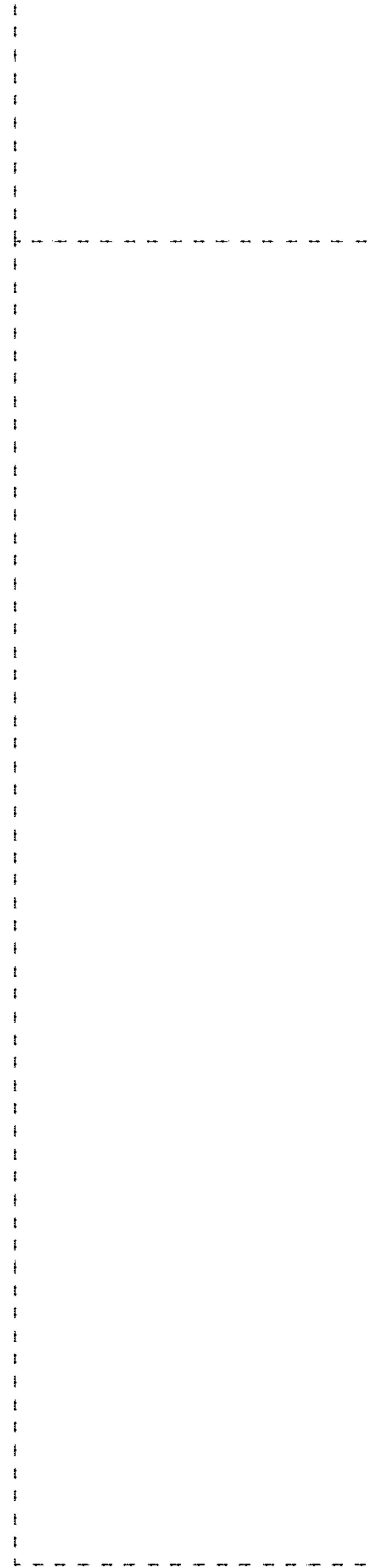


Fig. 10



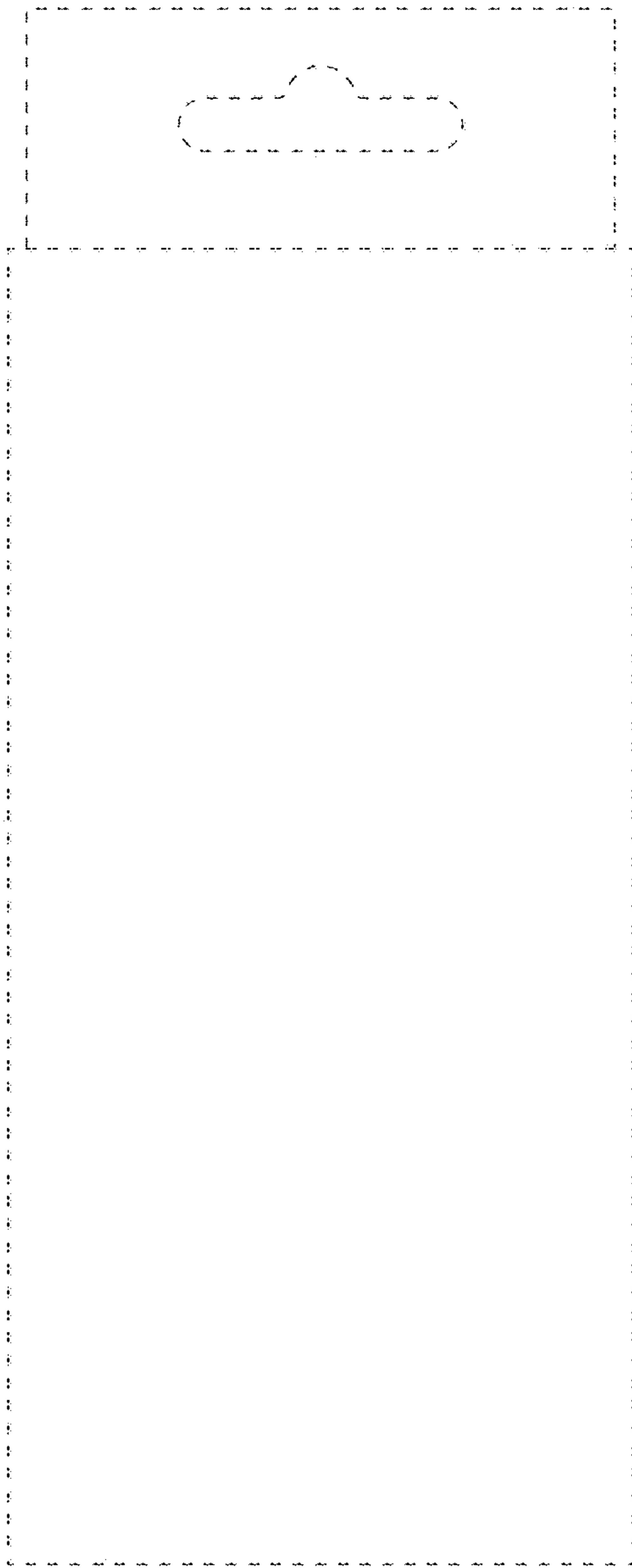


Fig. 11

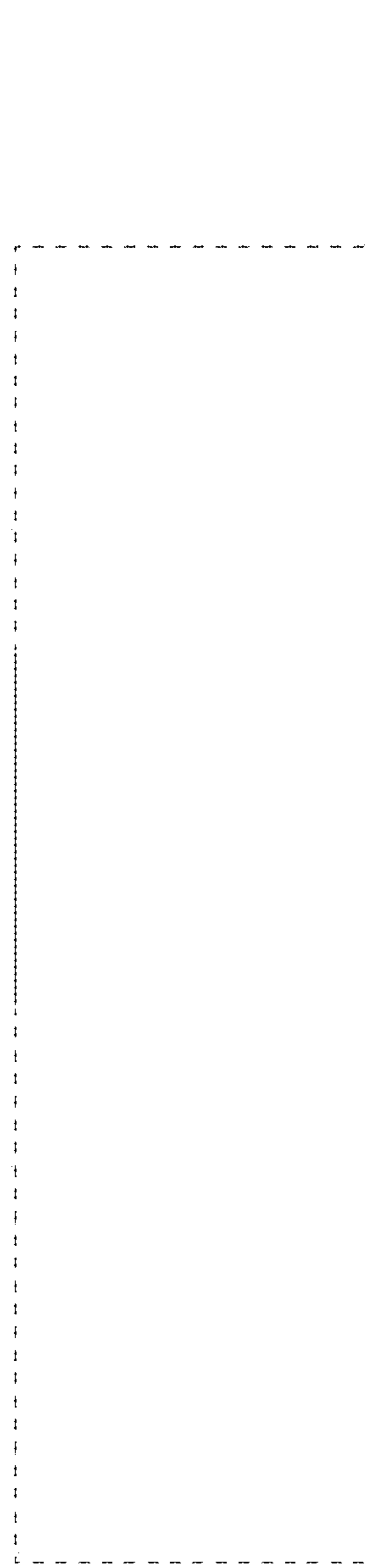


Fig. 12



Fig. 13



Fig. 14

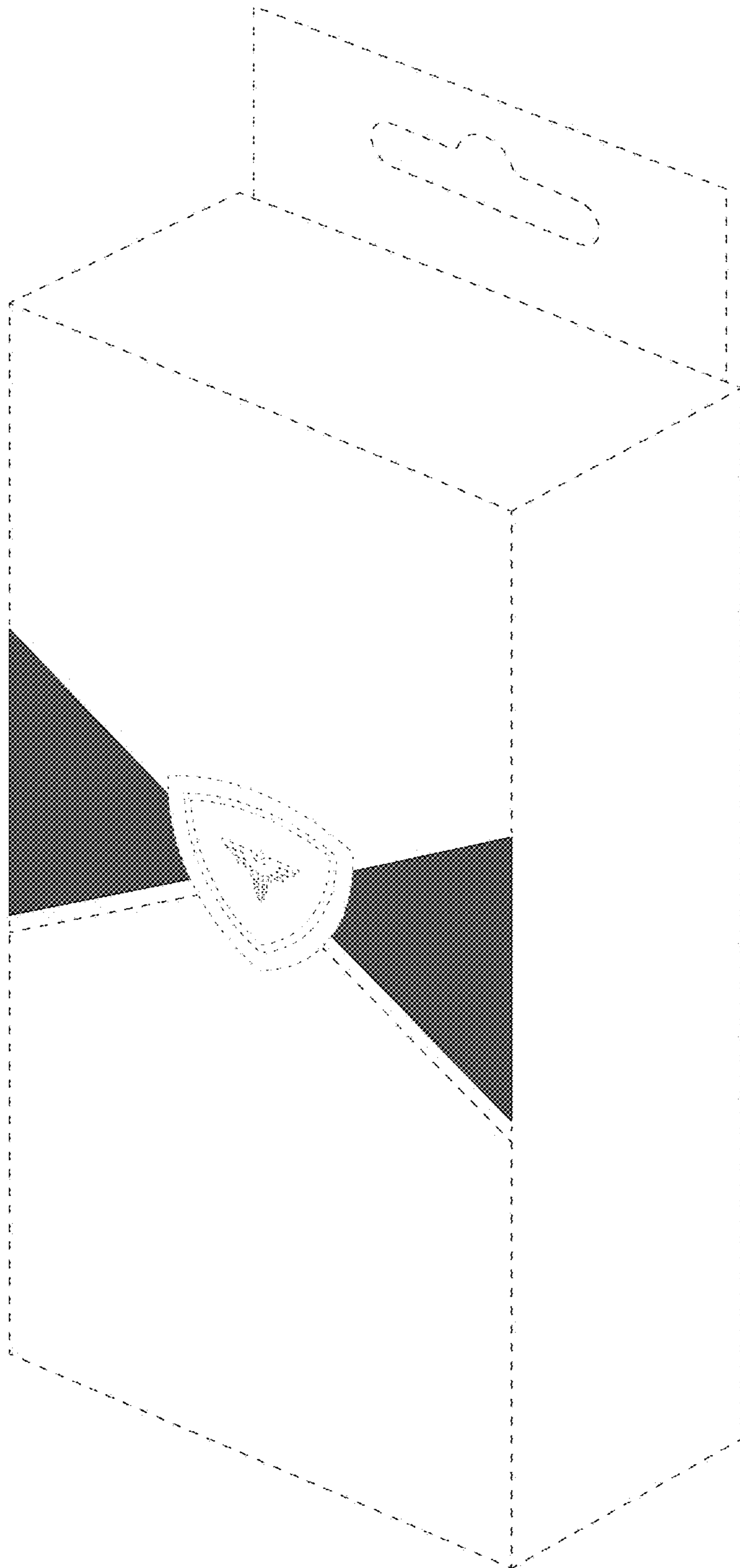


Fig. 15

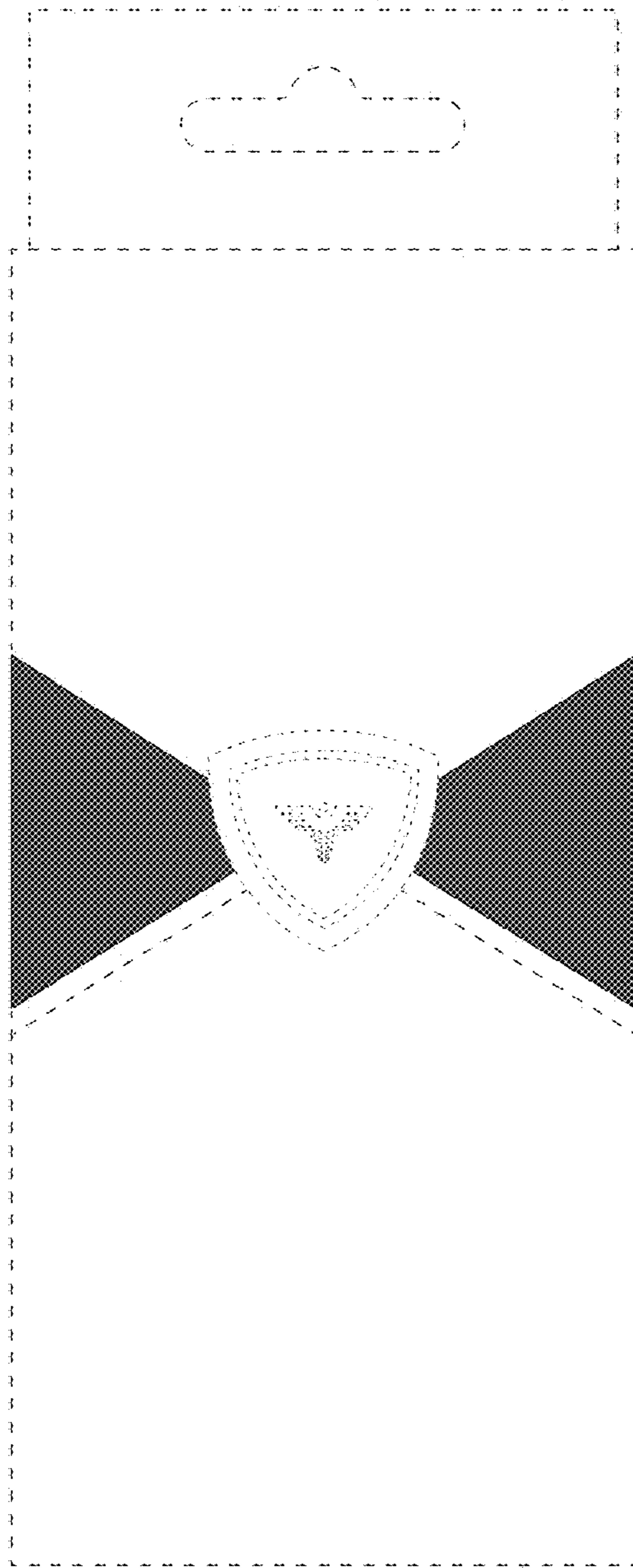


Fig. 16

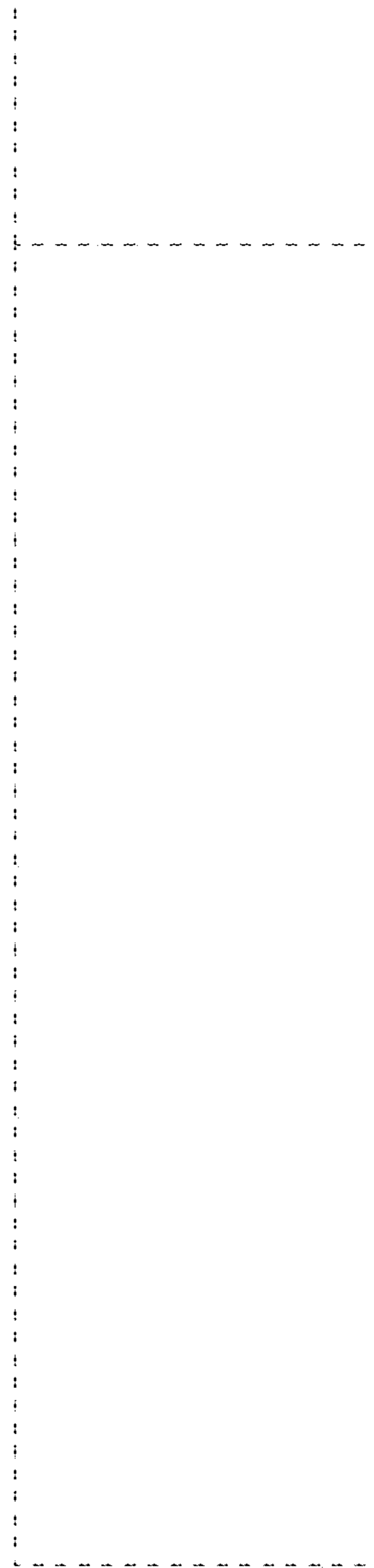


Fig. 17

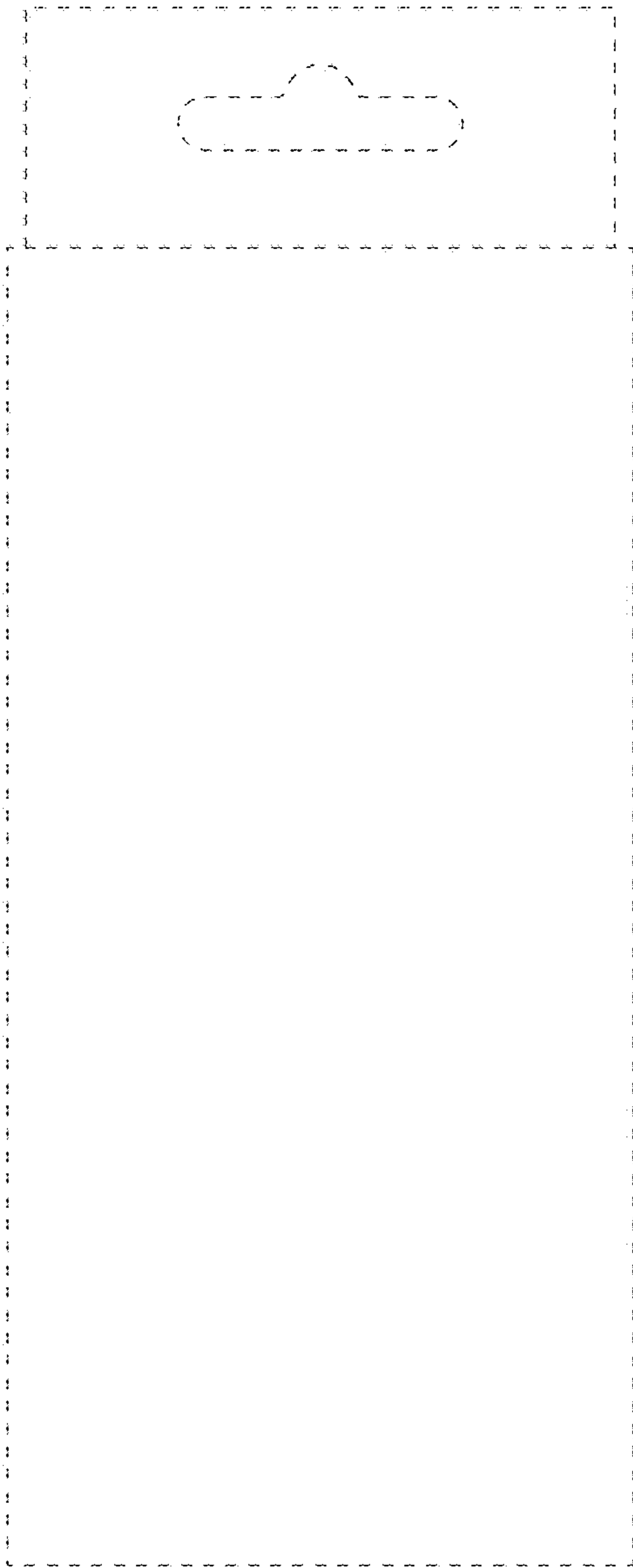


Fig. 18

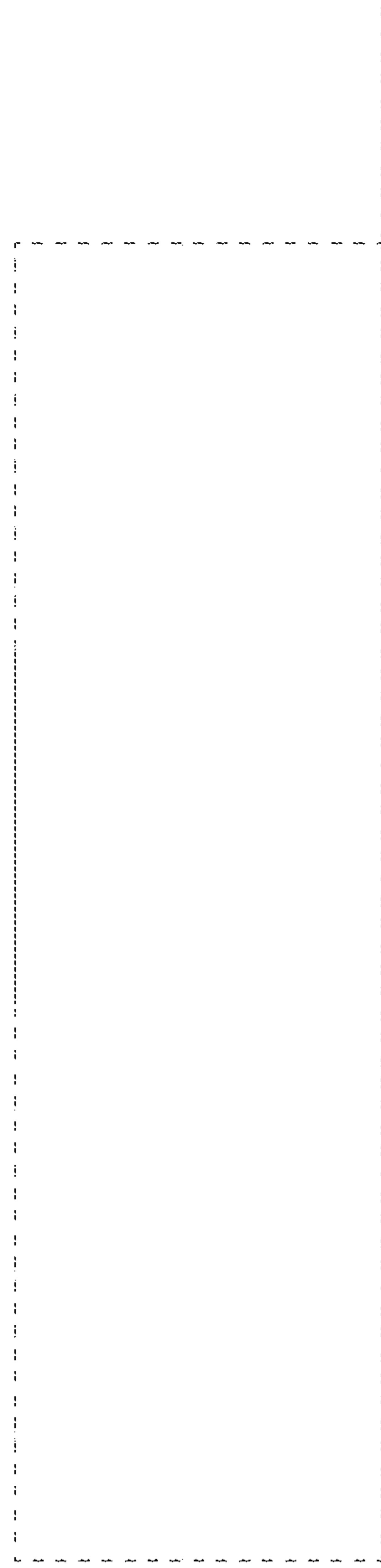


Fig. 19



Fig. 20



Fig. 21

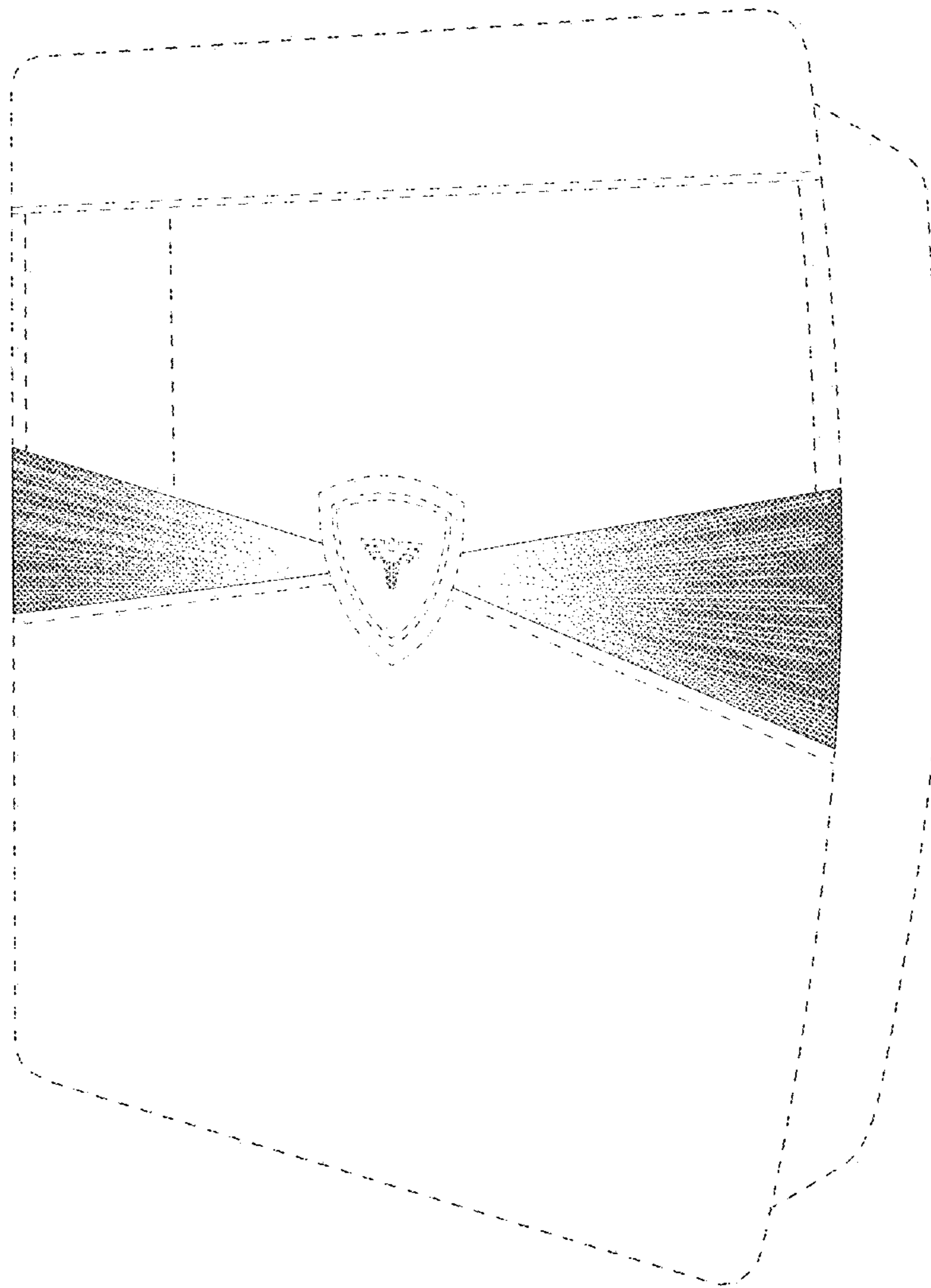


Fig. 22

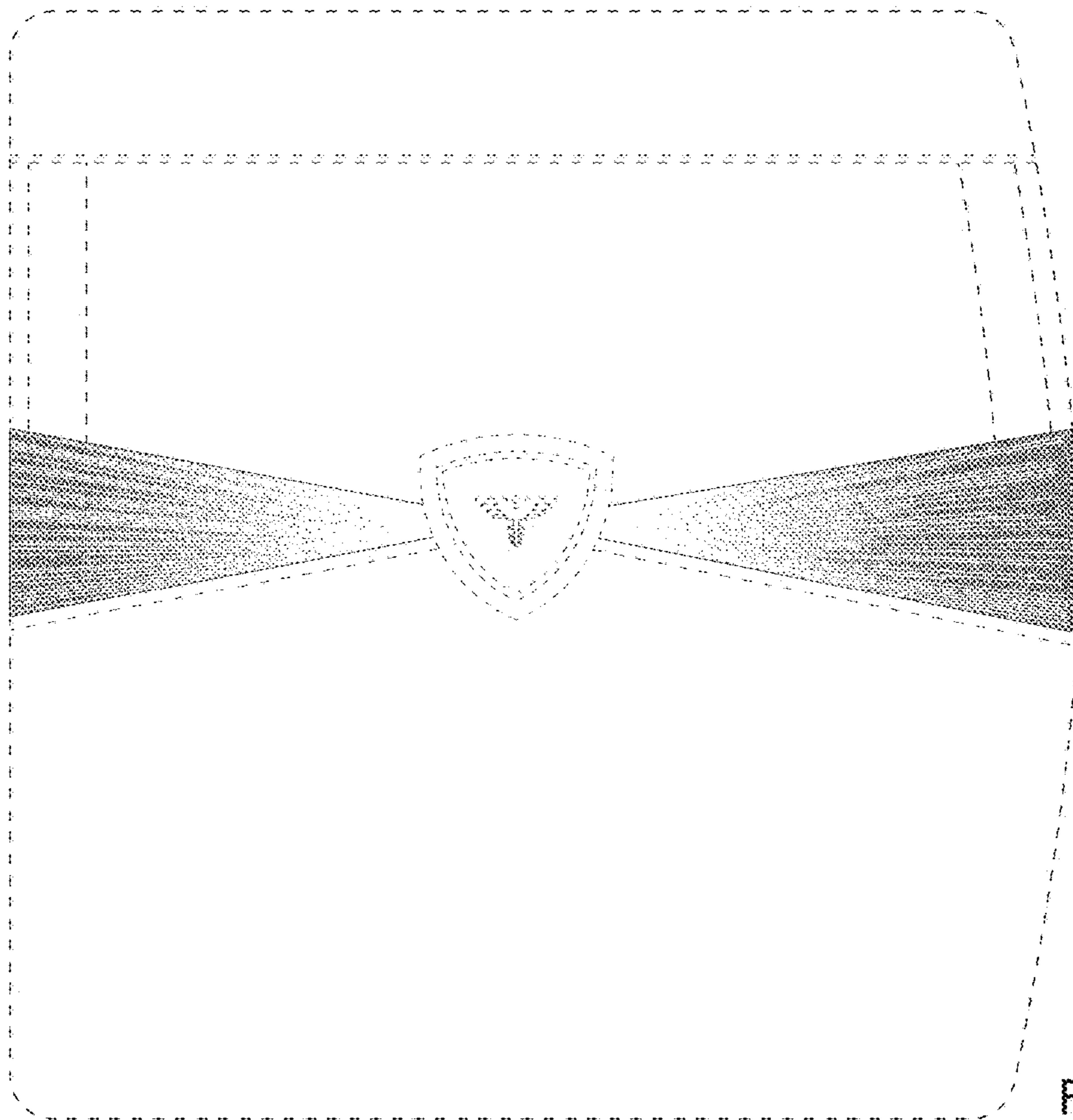


Fig. 23



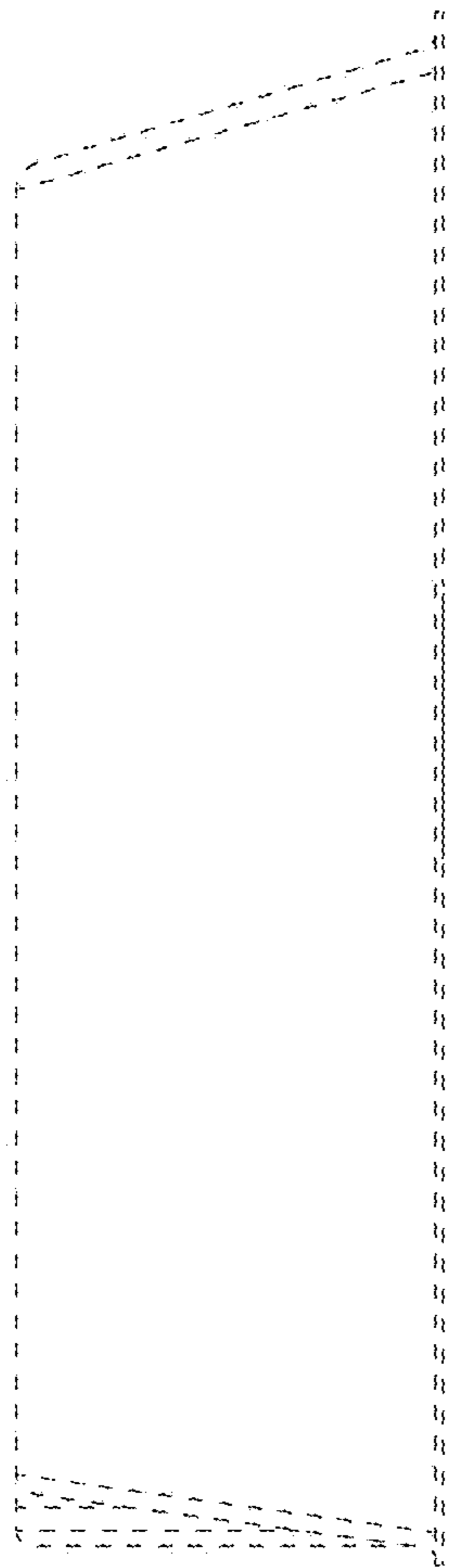


Fig. 24

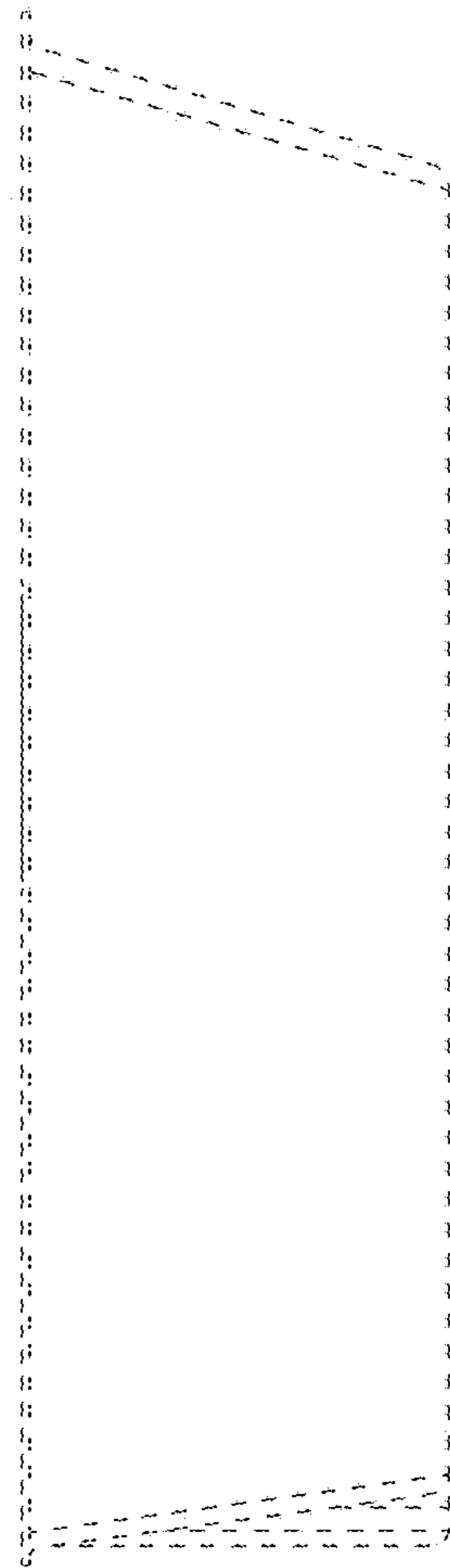


Fig. 25

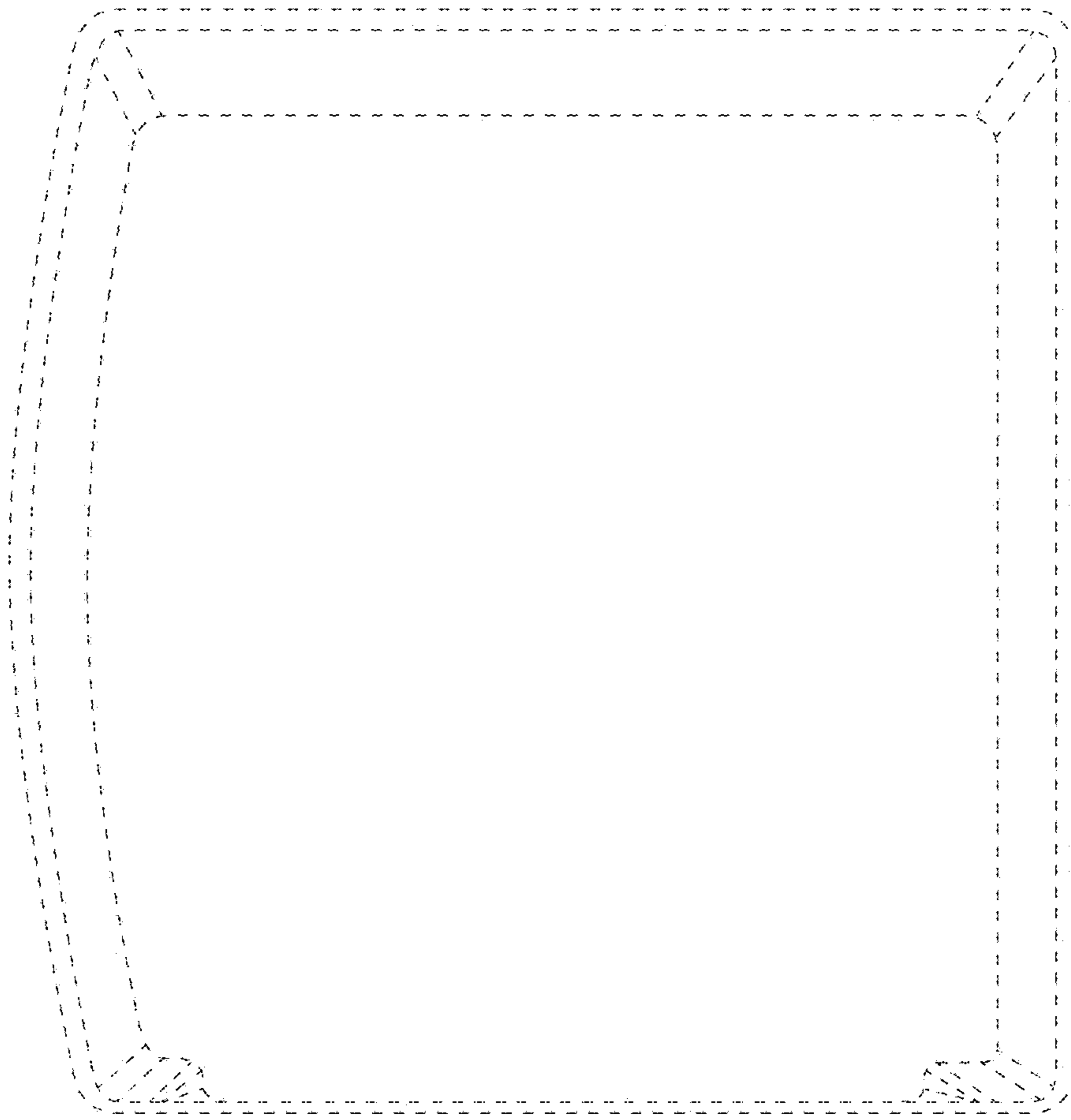


Fig. 26

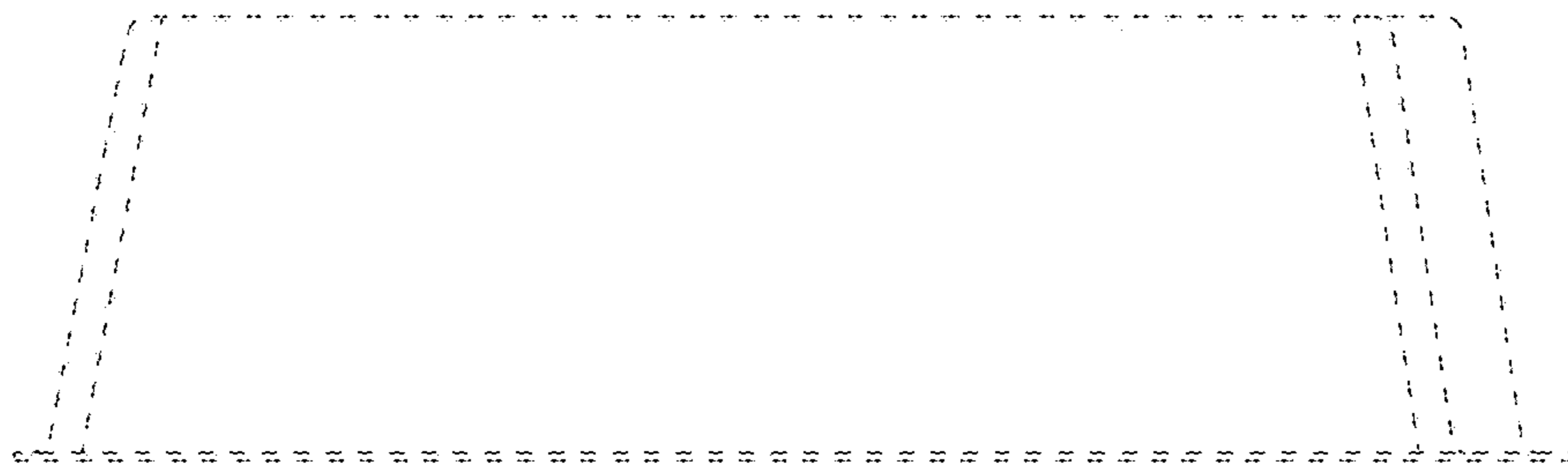


Fig. 27

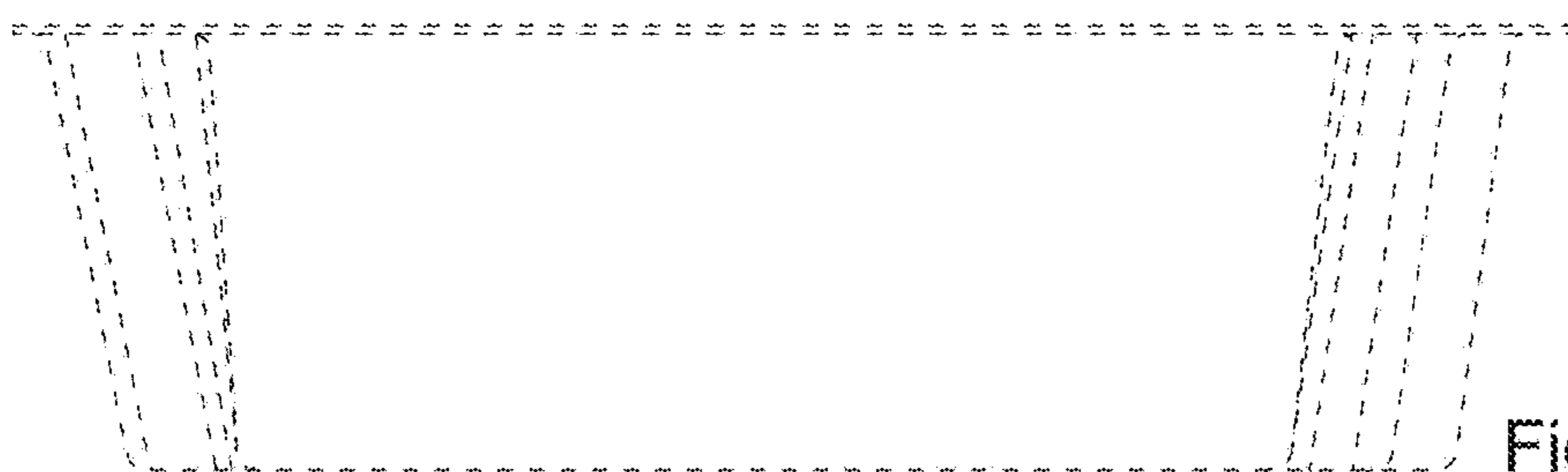


Fig. 28

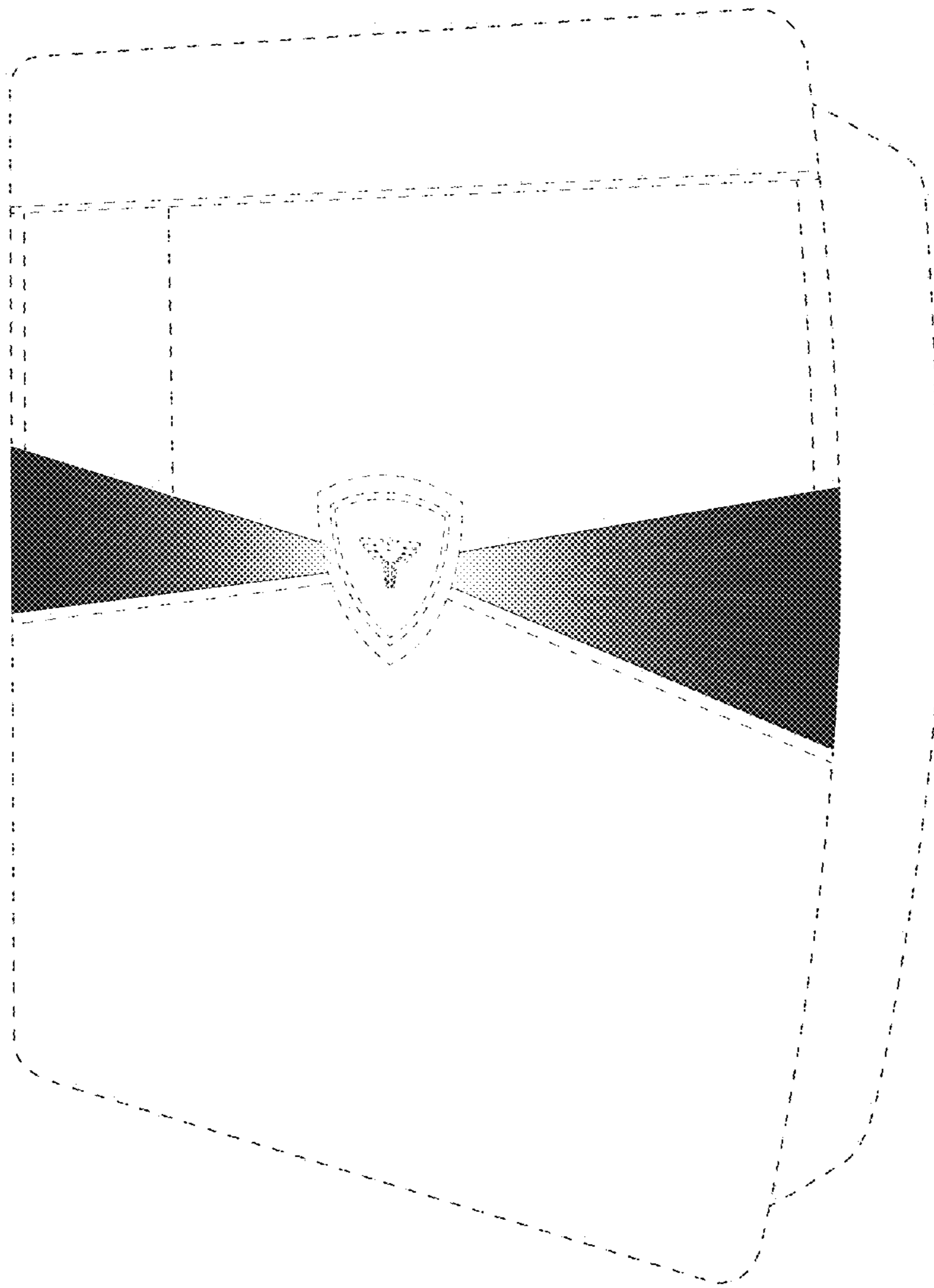


Fig. 29

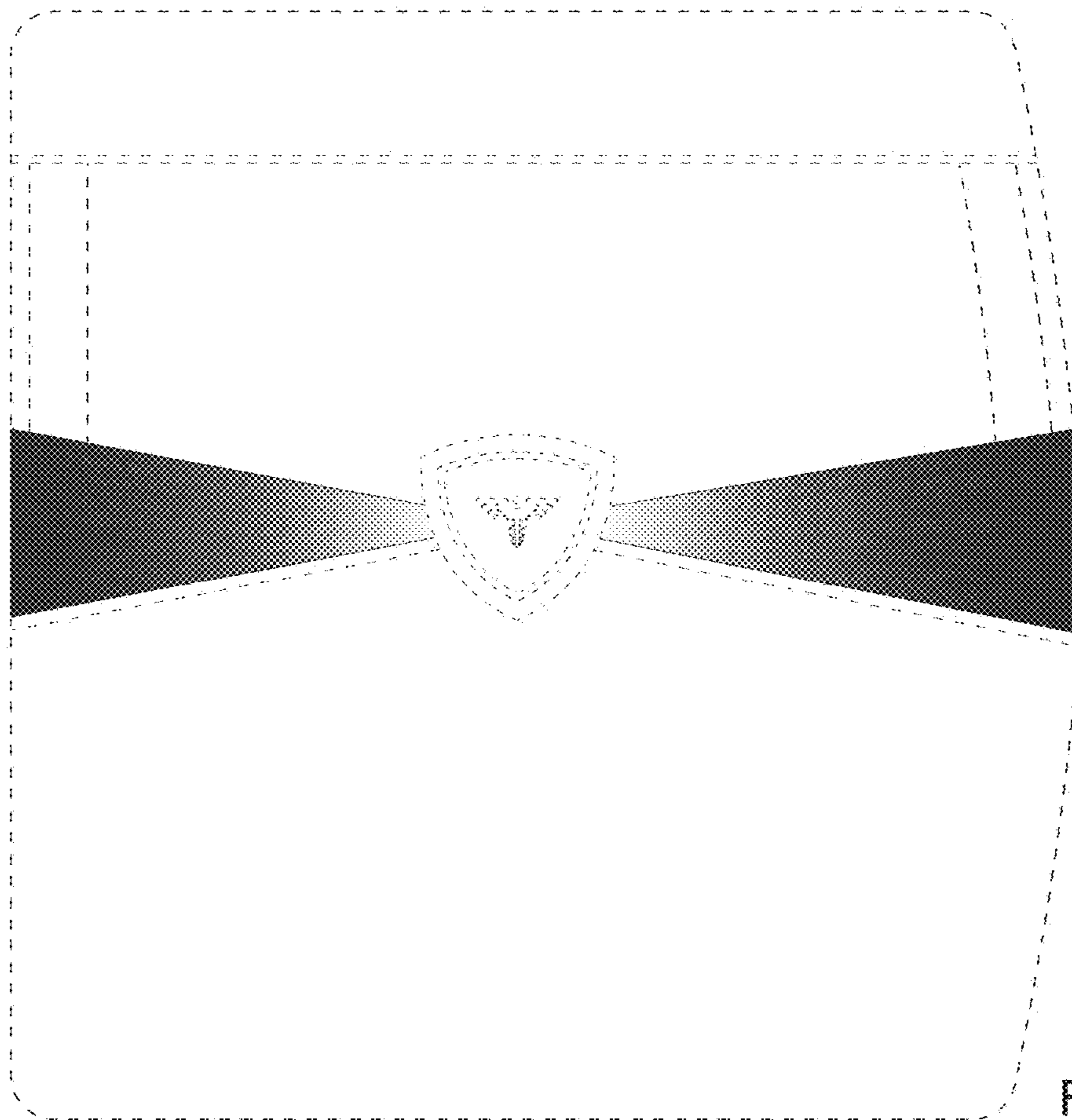


Fig. 30

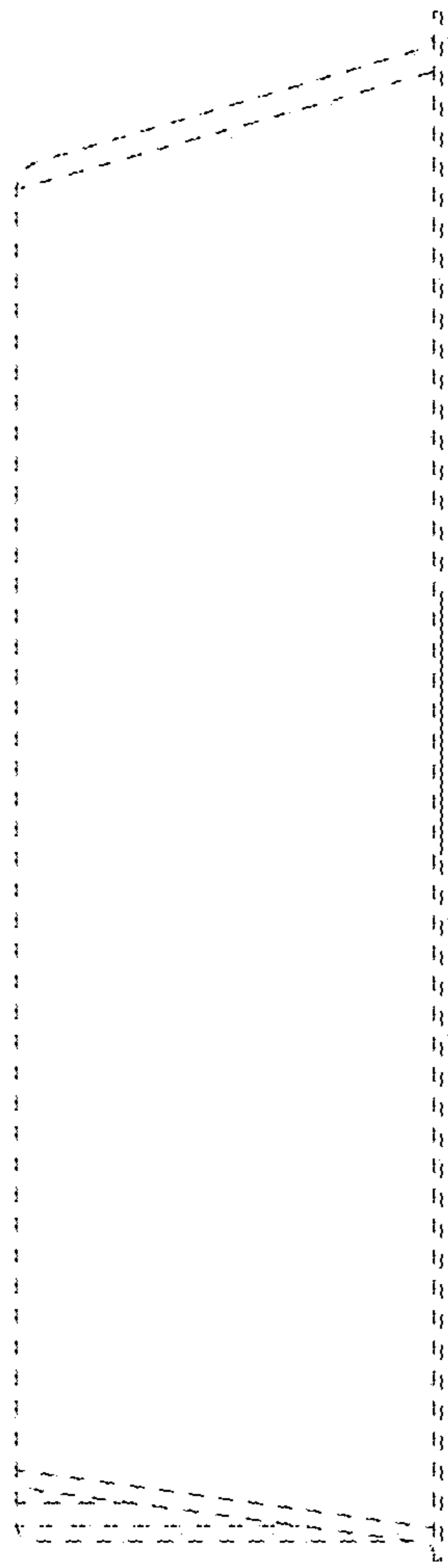


Fig. 31

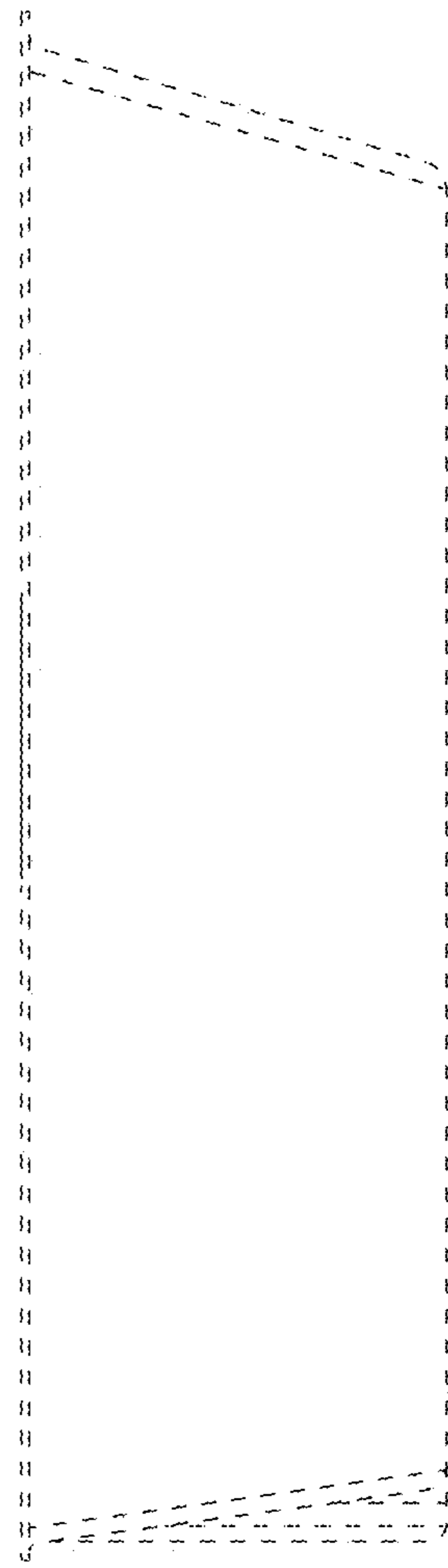


Fig. 32

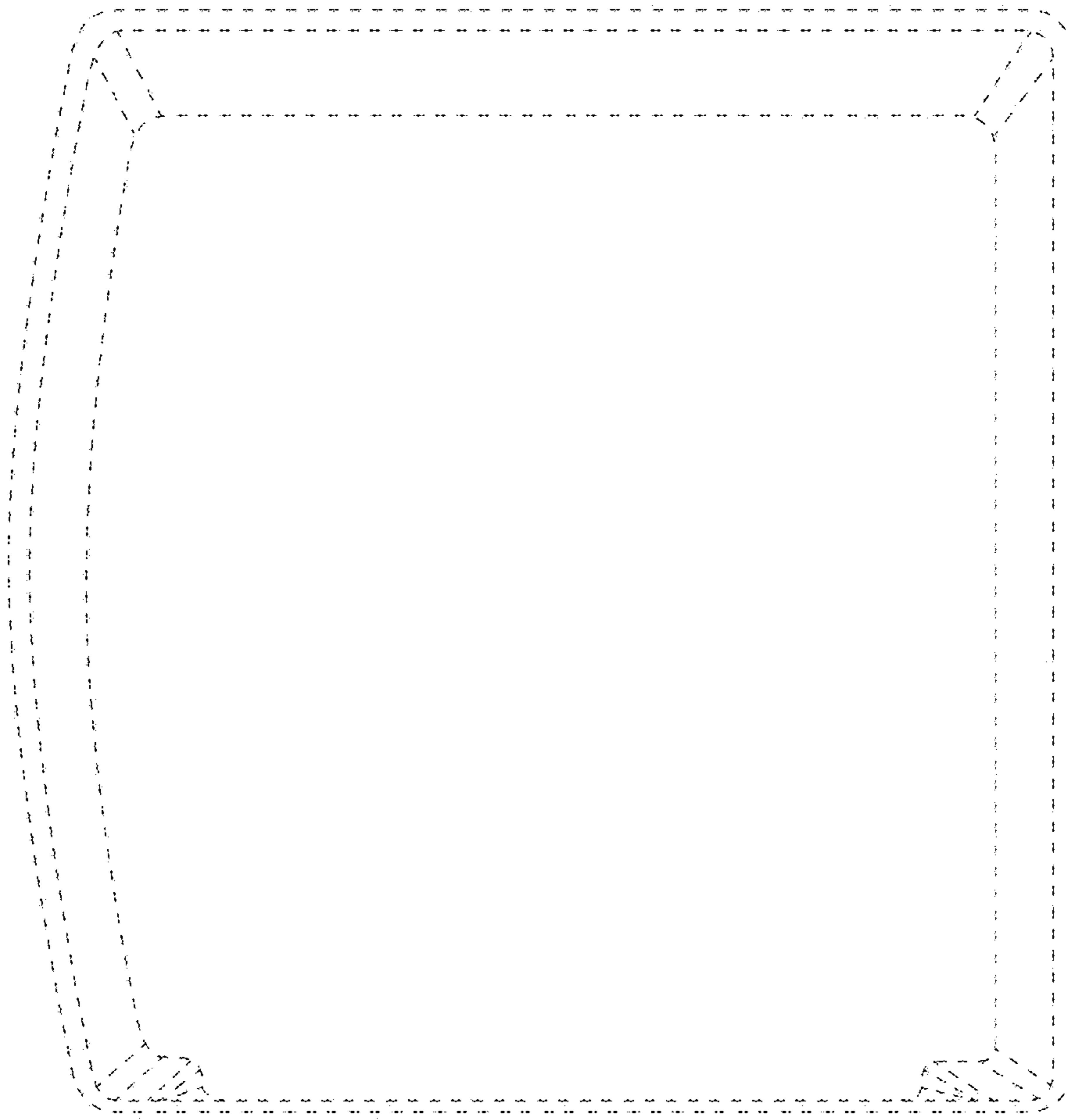


Fig. 33



Fig. 34

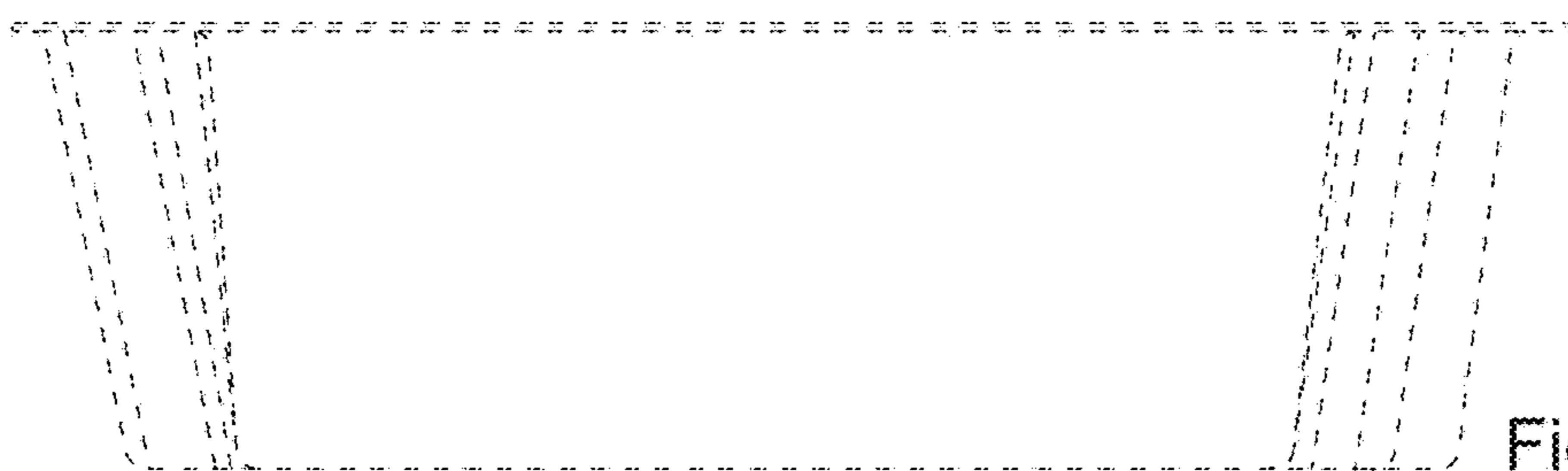


Fig. 35