



US00D777034S

(12) **United States Design Patent** (10) **Patent No.:** **US D777,034 S**
Sill (45) **Date of Patent:** **** Jan. 24, 2017**

(54) **CONTAINER LID**
(71) Applicant: **Inno-Pak, LLC**, Delaware, OH (US)
(72) Inventor: **Jonathan D. Sill**, Powell, OH (US)
(73) Assignee: **Inno-Pak, LLC**, Delaware, OH (US)
(**) Term: **15 Years**
(21) Appl. No.: **29/566,230**
(22) Filed: **May 27, 2016**

D404,254 S * 1/1999 Asberg D7/511
D404,255 S * 1/1999 Asberg D7/511
D404,256 S * 1/1999 Asberg D7/511
D411,742 S * 6/1999 Kokenge D9/434
H1855 H * 8/2000 Litton A45D 40/00
D28/82
D442,864 S * 5/2001 Davies D9/454
D495,600 S * 9/2004 Kouri D9/435
D522,364 S * 6/2006 Hicks D9/449
D526,562 S * 8/2006 Jelich D9/435
D632,959 S * 2/2011 Peters D9/454
D657,670 S * 4/2012 Folos D9/447
(Continued)

Related U.S. Application Data

(62) Division of application No. 29/498,755, filed on Aug. 7, 2014.
(51) **LOC (10) Cl.** **09-07**
(52) **U.S. Cl.**
USPC **D9/454**
(58) **Field of Classification Search**
USPC D7/300, 300.1, 300.2, 303, 313, 317,
D7/602, 387, 509, 510, 511, 538; D9/434,
D9/435, 436, 439, 440, 441, 442, 443,
D9/444, 445, 446, 447, 448, 449, 450,
D9/451, 452, 453, 454, 499
CPC B65D 41/26; B65D 41/32; B65D 59/06;
B65D 47/0814; B65D 47/2031; B65D
51/249; B65D 2251/1066; B65D 41/02;
B65D 23/00; B65D 39/08; B67D 3/0032;
A47G 19/26; A47G 19/2266
See application file for complete search history.

(56) **References Cited**

U.S. PATENT DOCUMENTS

D207,356 S * 4/1967 McCormick D9/439
D226,063 S * 1/1973 Warnburg D9/503
D269,160 S * 5/1983 Carney, Jr. D9/434
D286,026 S * 10/1986 Rayner D9/435
D350,068 S * 8/1994 Schwartzburg D9/434
D353,768 S * 12/1994 Hayes D9/435
D367,818 S * 3/1996 Zana D9/454

OTHER PUBLICATIONS

Blank Round Metal Tin Containers by soulniche on Ebay. dated May 3, 2016. found online Jul. 6, 2016. <http://www.ebay.com/itm/CHOOSE-Blank-Round-Metal-Tin-Containers-with-Clear-Window-Lid-Shallow-or-Deep-/390498177816>.
(Continued)

Primary Examiner — Robert M Spear
Assistant Examiner — Marissa J. Cash
(74) *Attorney, Agent, or Firm* — Ward and Smith, P.A.;
Ryan K. Simmons

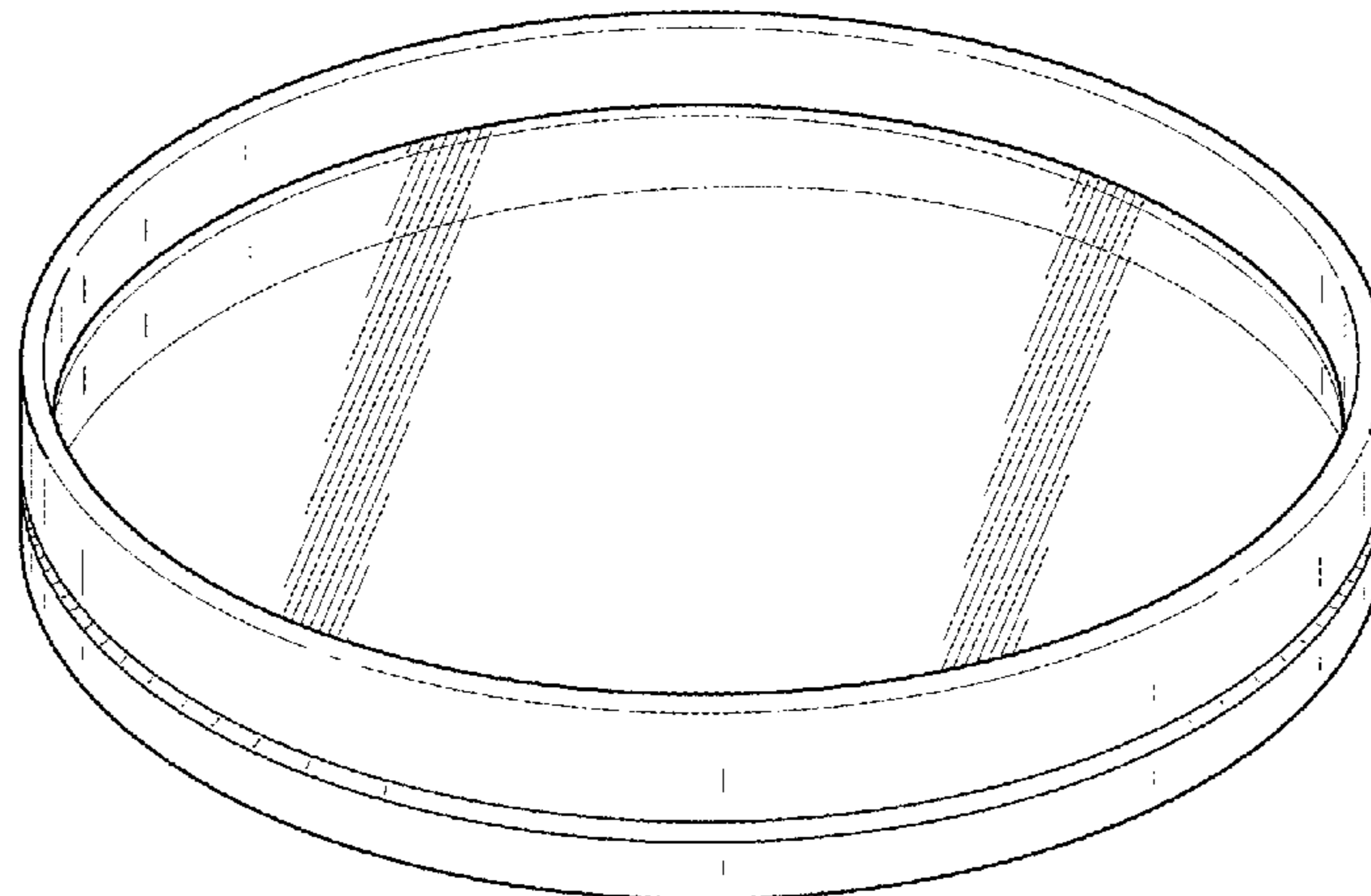
(57) **CLAIM**

The ornamental design for a container lid, as shown and described.

DESCRIPTION

FIG. 1 is a top perspective view of a container lid showing a new design;
FIG. 2 is bottom perspective view thereof
FIG. 3 is a top plan view thereof;
FIG. 4 is a bottom plan view thereof; and,
FIG. 5 is another top perspective view showing the container lid mounted to a container.
The dashed lines shown in the drawings are for environmental purposes only and form no part of the claimed design.

1 Claim, 5 Drawing Sheets



(56)

References Cited

U.S. PATENT DOCUMENTS

D676,746 S * 2/2013 Shaffer D9/443
D716,141 S * 10/2014 Rush D9/447
D737,139 S * 8/2015 Sokoly D9/435
D741,711 S * 10/2015 D'Amato D9/447

OTHER PUBLICATIONS

Tin Box with Window Lid by Nashville Wraps. dated 2016. found
online Jul. 6, 2016. [http://www.nashvillewraps.com/candy-boxes/
tins-clear-lids/sku-tc02076.html](http://www.nashvillewraps.com/candy-boxes/tins-clear-lids/sku-tc02076.html).*

* cited by examiner

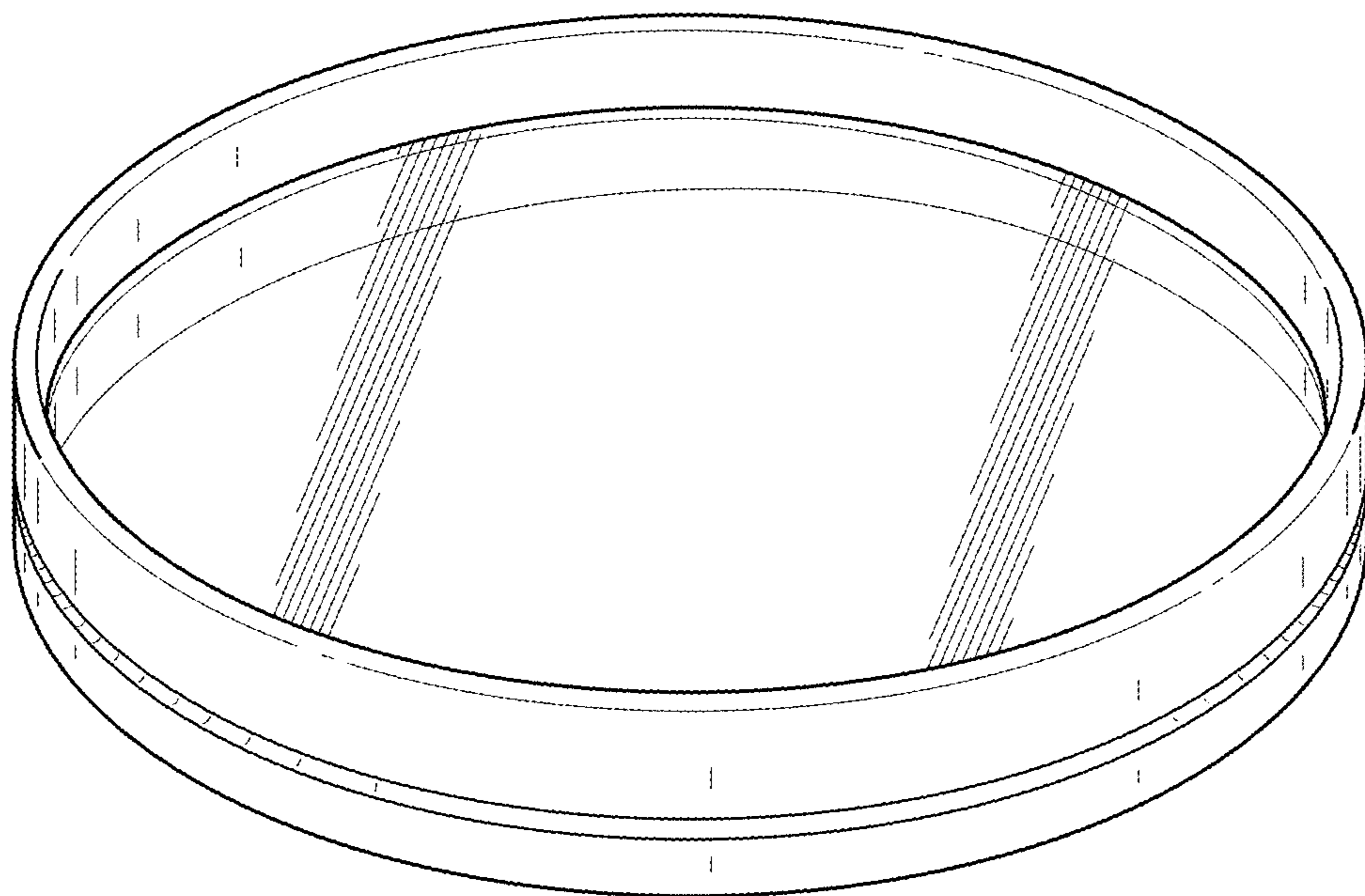


FIG. 1

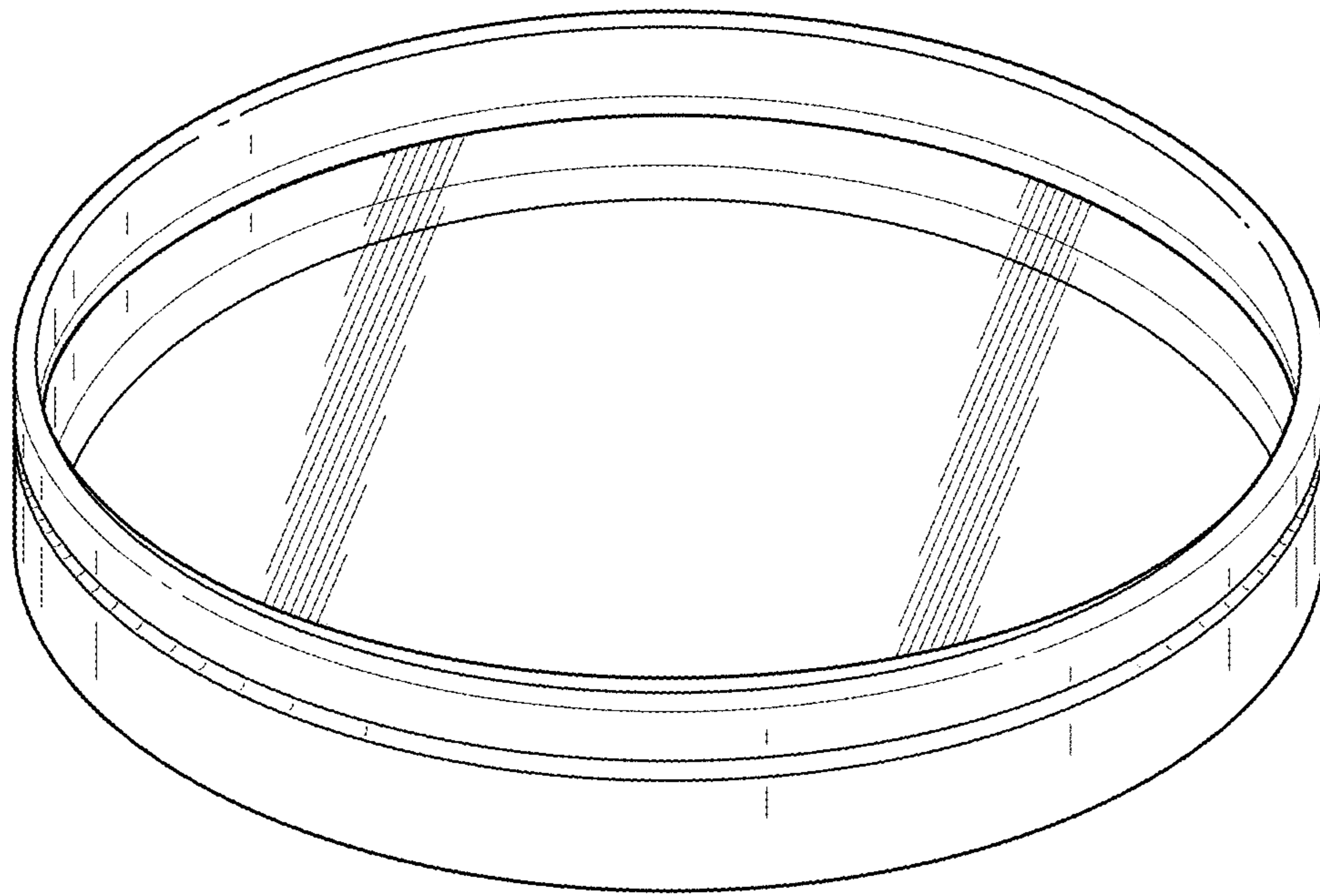


FIG. 2

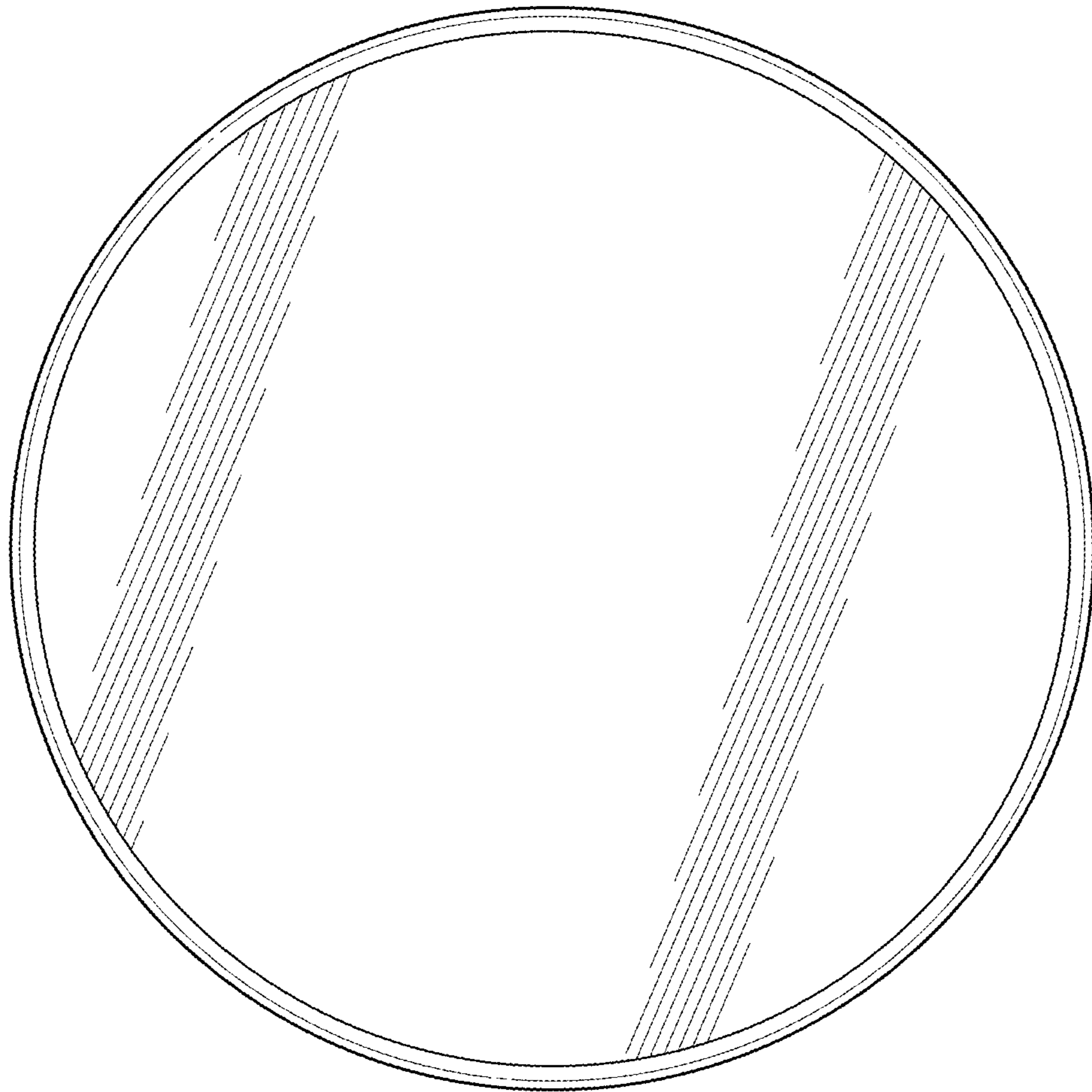


FIG. 3

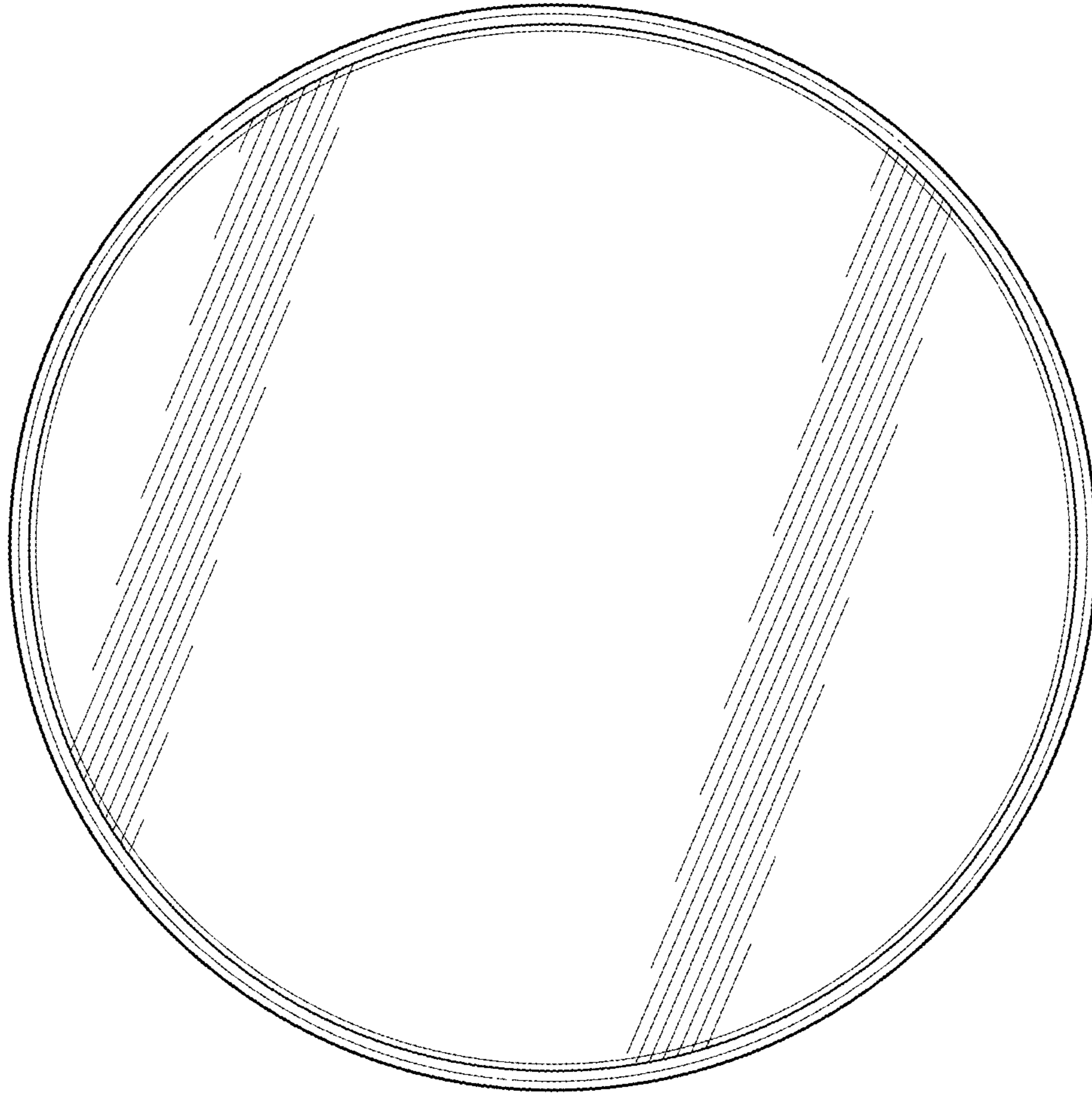


FIG. 4

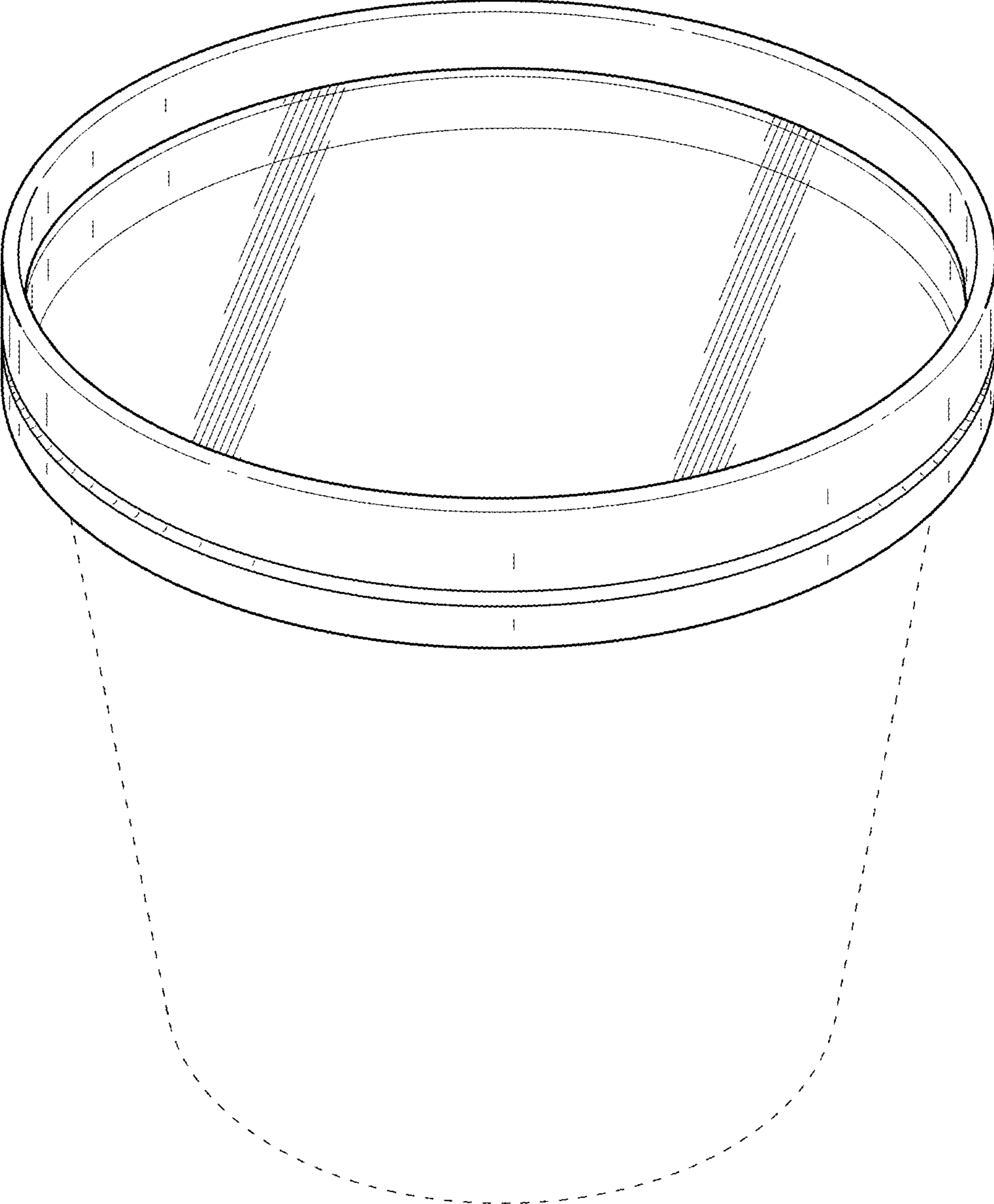


FIG. 5