



US00D777032S

(12) **United States Design Patent** (10) **Patent No.:** **US D777,032 S**
Buck (45) **Date of Patent:** **** Jan. 24, 2017**

- (54) **BEVERAGE CONTAINER LID**
- (71) Applicant: **Ronald Mark Buck**, Encinitas, CA (US)
- (72) Inventor: **Ronald Mark Buck**, Encinitas, CA (US)
- (73) Assignee: **SNACKTOPS, INC.**, Carlsbad, CA (US)
- (**) Term: **15 Years**
- (21) Appl. No.: **29/542,041**
- (22) Filed: **Oct. 9, 2015**
- (51) **LOC (10) Cl.** **09-07**
- (52) **U.S. Cl.**
USPC **D9/447**
- (58) **Field of Classification Search**
USPC D9/415, 434, 435, 440, 446-450, 452, D9/453, 454, 455-457, 499; D7/387, 388, D7/396.2, 396.4, 396.6, 398, 403, 509, D7/510, 511; D3/202, 203.2, 247, 294, D3/304, 318; D28/91.1; D8/343, 346, D8/352, 382, 397, 399
CPC A61J 1/00; A61J 1/1412; B65D 1/00; B65D 1/02; B65D 1/10; B65D 1/46; B65D 2585/56; B65D 41/00; B65D 41/56; B65D 41/62; B65D 47/06; B65D 47/08; B65D 2543/00046; B65D 2543/00092; B65D 2543/00296
See application file for complete search history.

D595,537 S *	7/2009	Mansfield	206/219
D643,285 S *	8/2011	Zomorodi	D9/429
D668,153 S *	10/2012	Mavin	D9/443
D672,236 S *	12/2012	Zomorodi	D9/435
D695,612 S *	12/2013	Chou	D9/447
8,701,914 B1 *	4/2014	Buck	B65D 3/22 220/23.87

(Continued)

Primary Examiner — Karen S Acker
Assistant Examiner — Wendy Arminio
(74) *Attorney, Agent, or Firm* — Manuel de la Cerra

(57) **CLAIM**

The ornamental design for a beverage container lid, as shown and described.

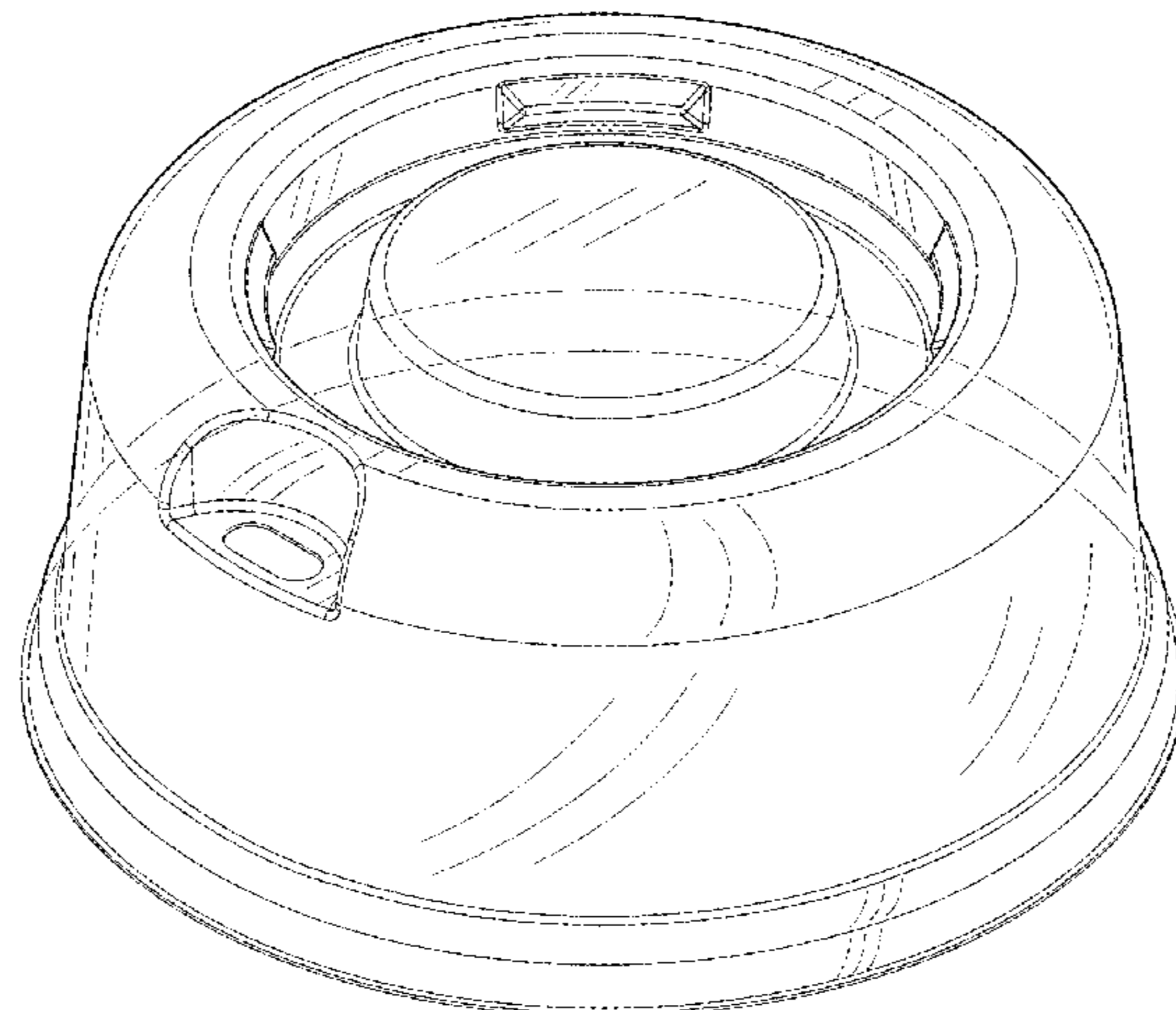
DESCRIPTION

FIG. 1 is a top perspective view of a beverage container lid. FIG. 2 is a bottom perspective view thereof. FIG. 3 is a top perspective view thereof shown in a position of use attached to a beverage container and to a food container. FIG. 4 is a bottom perspective view thereof shown in a position of use attached to a beverage container and to a food container. FIG. 5 is an exploded top perspective view thereof shown detached from a beverage container and a food container. FIG. 6 is an exploded bottom perspective view thereof shown detached from a beverage container and a food container. FIG. 7 is a front view thereof. FIG. 8 is a rear view thereof. FIG. 9 is a top view thereof. FIG. 10 is a bottom view thereof; and, FIG. 11 is a left side view thereof (right-side is a mirror image).
The broken lines depict portions of the beverage container lid that form no part of the claimed design. The beverage container, food container, and straw shown in broken lines in FIGS. 3-6 illustrate environment and form no part of the claimed design.

1 Claim, 8 Drawing Sheets

(56) **References Cited**
U.S. PATENT DOCUMENTS

RE28,720 E *	2/1976	Sedlak	A47G 19/26 206/501
D285,656 S *	9/1986	Champion	D7/511
D494,468 S *	8/2004	Vovan	D9/428
7,100,790 B2 *	9/2006	Dark	A47G 19/2272 220/711
D569,175 S *	5/2008	Mansfield	D7/387



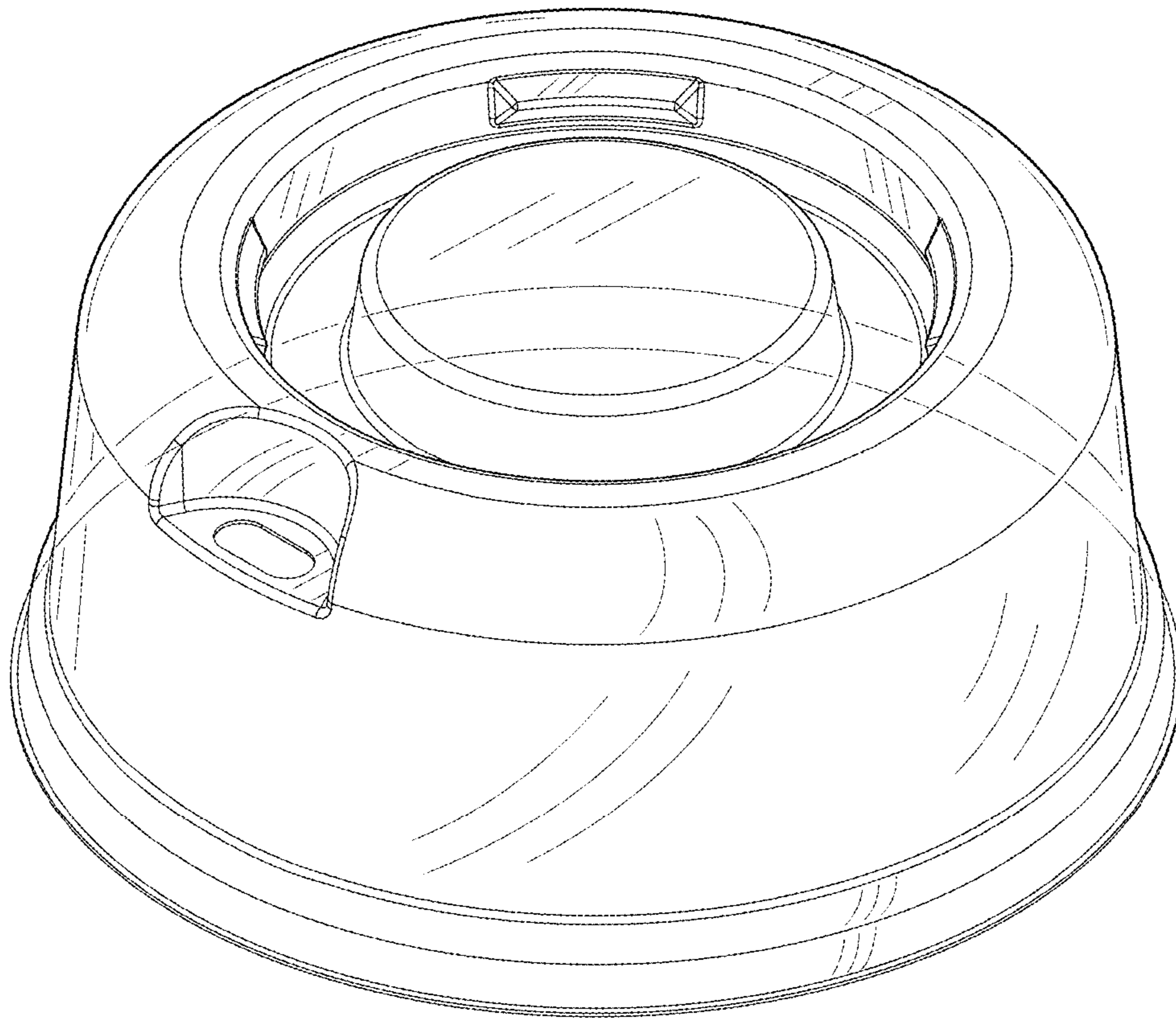


FIG. 1

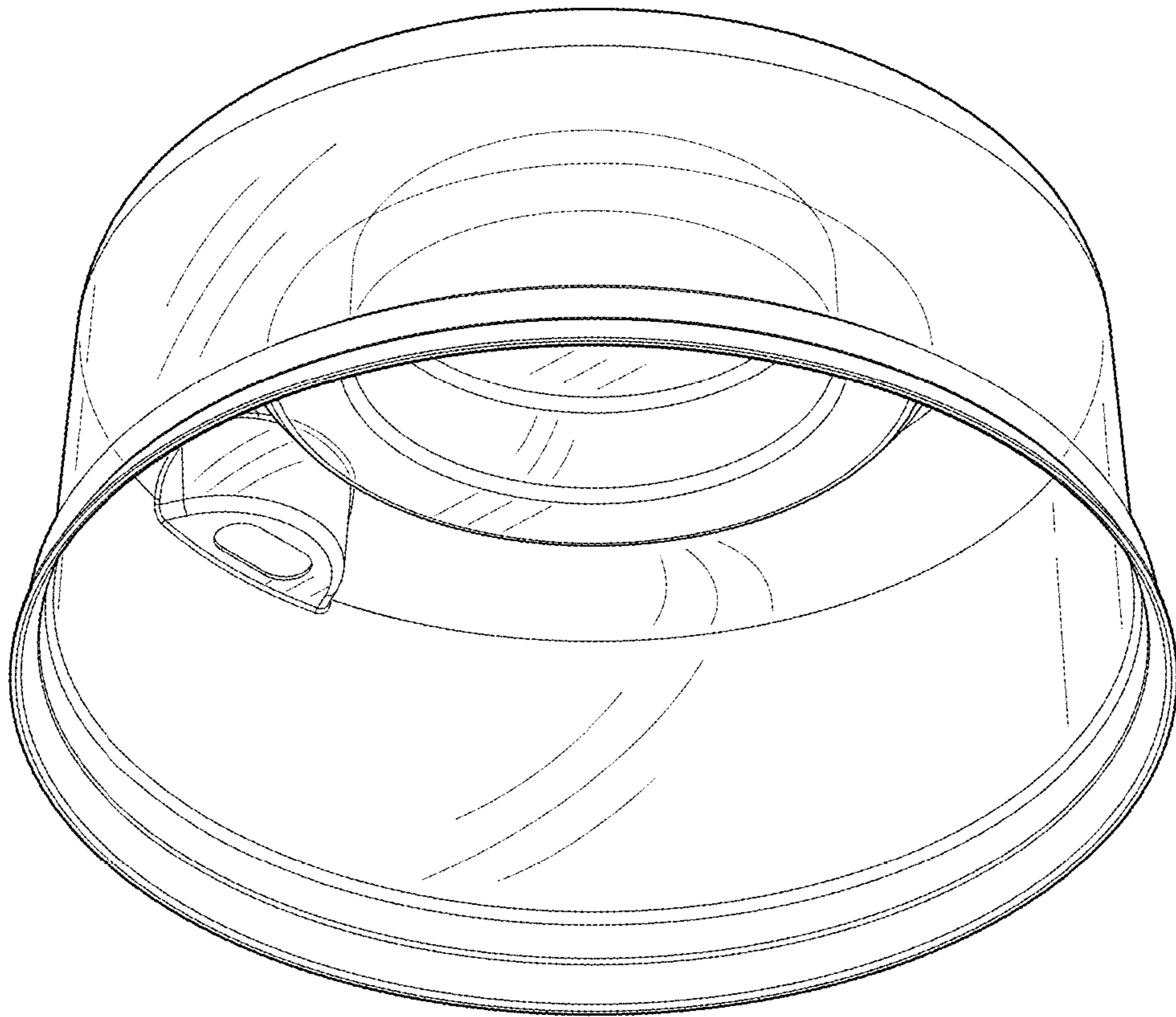


FIG. 2

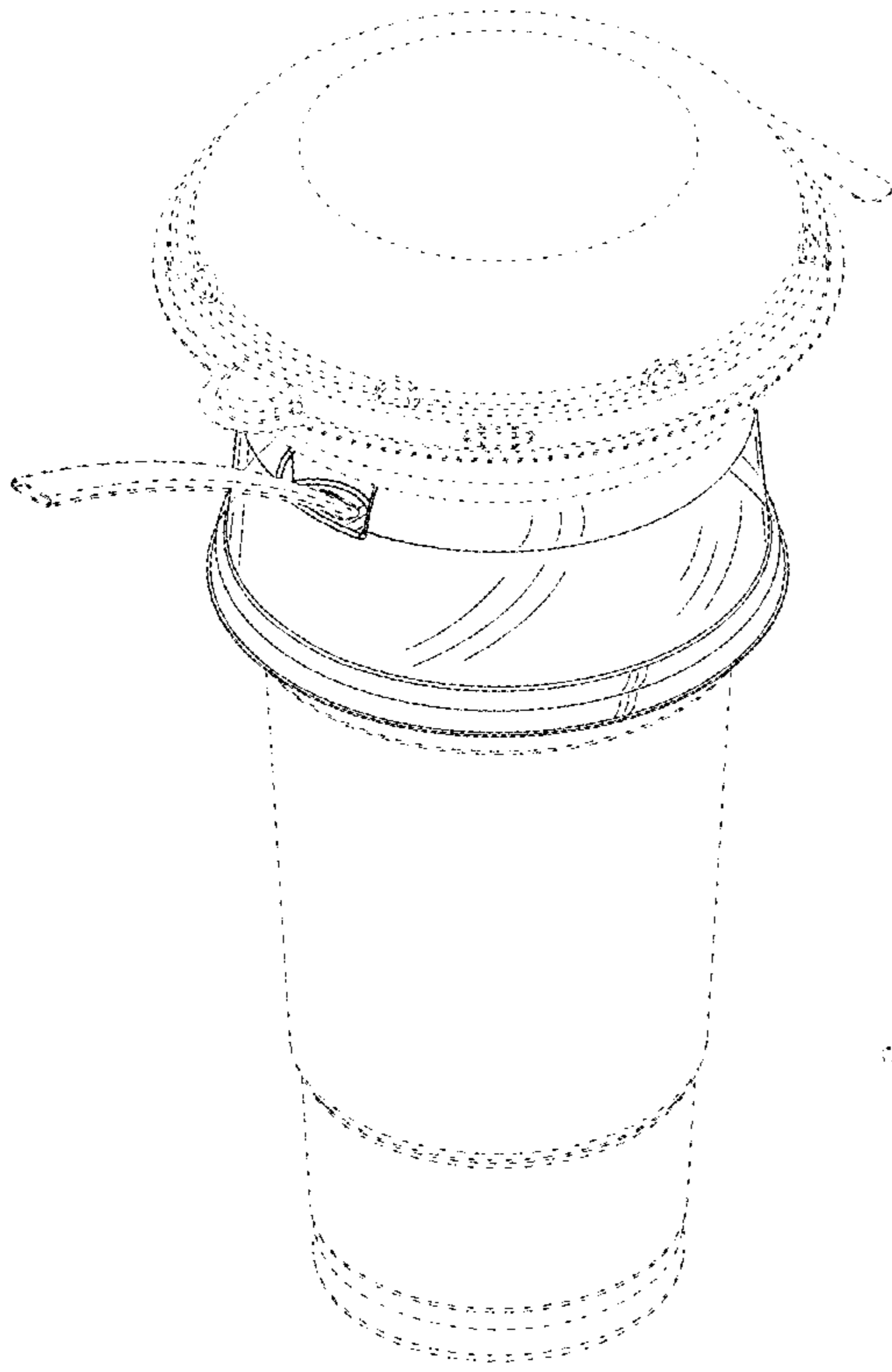


FIG. 3

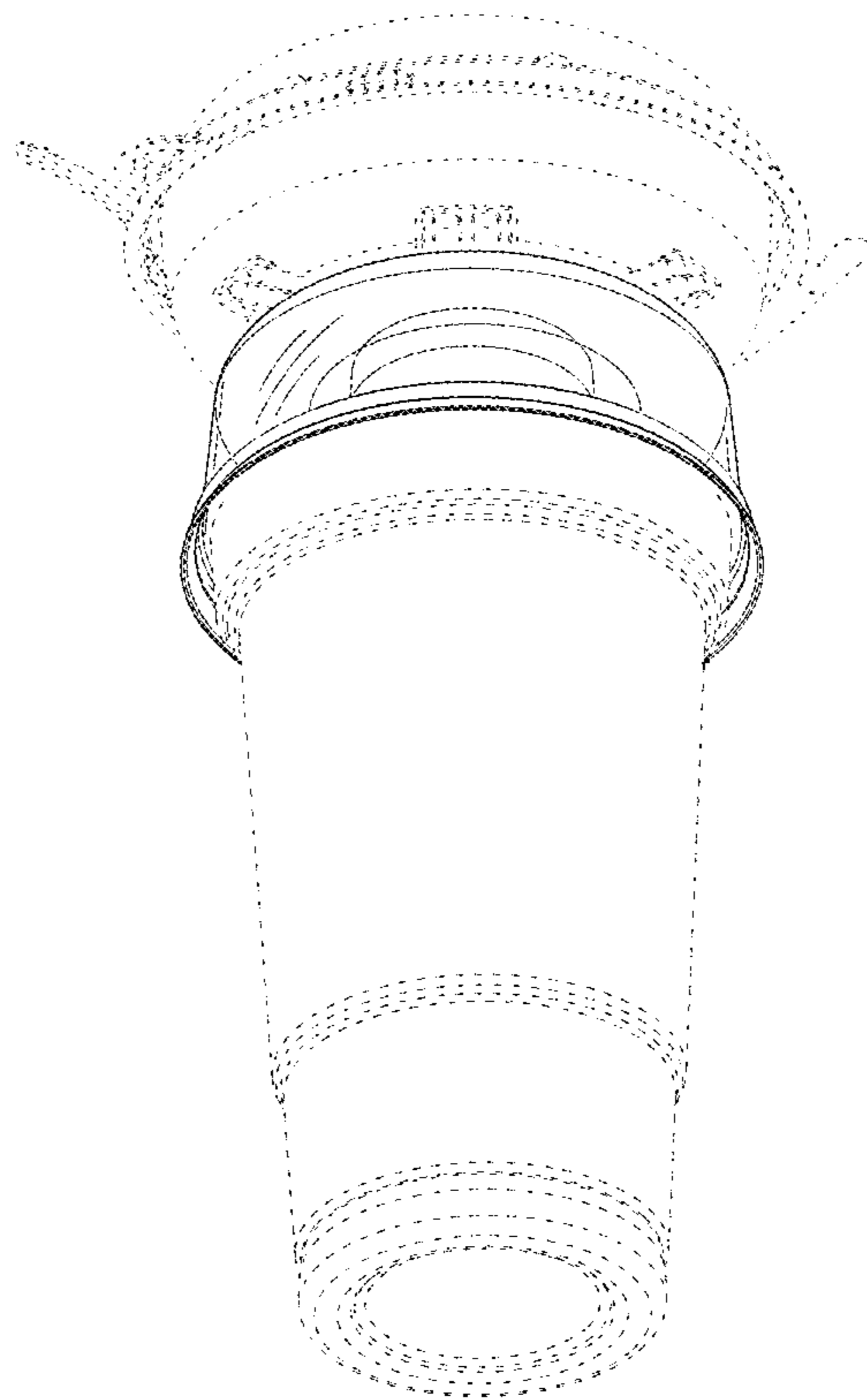
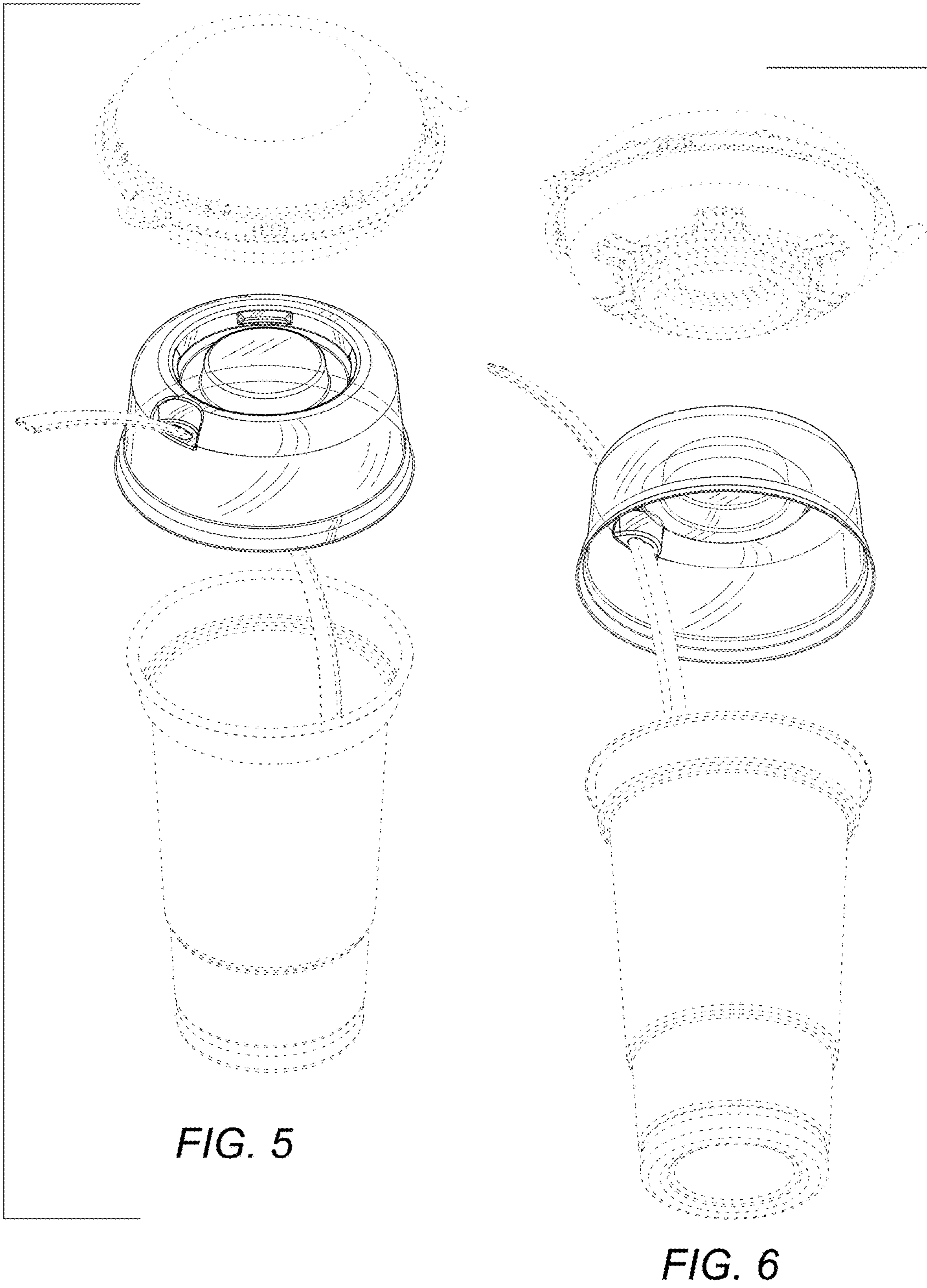


FIG. 4



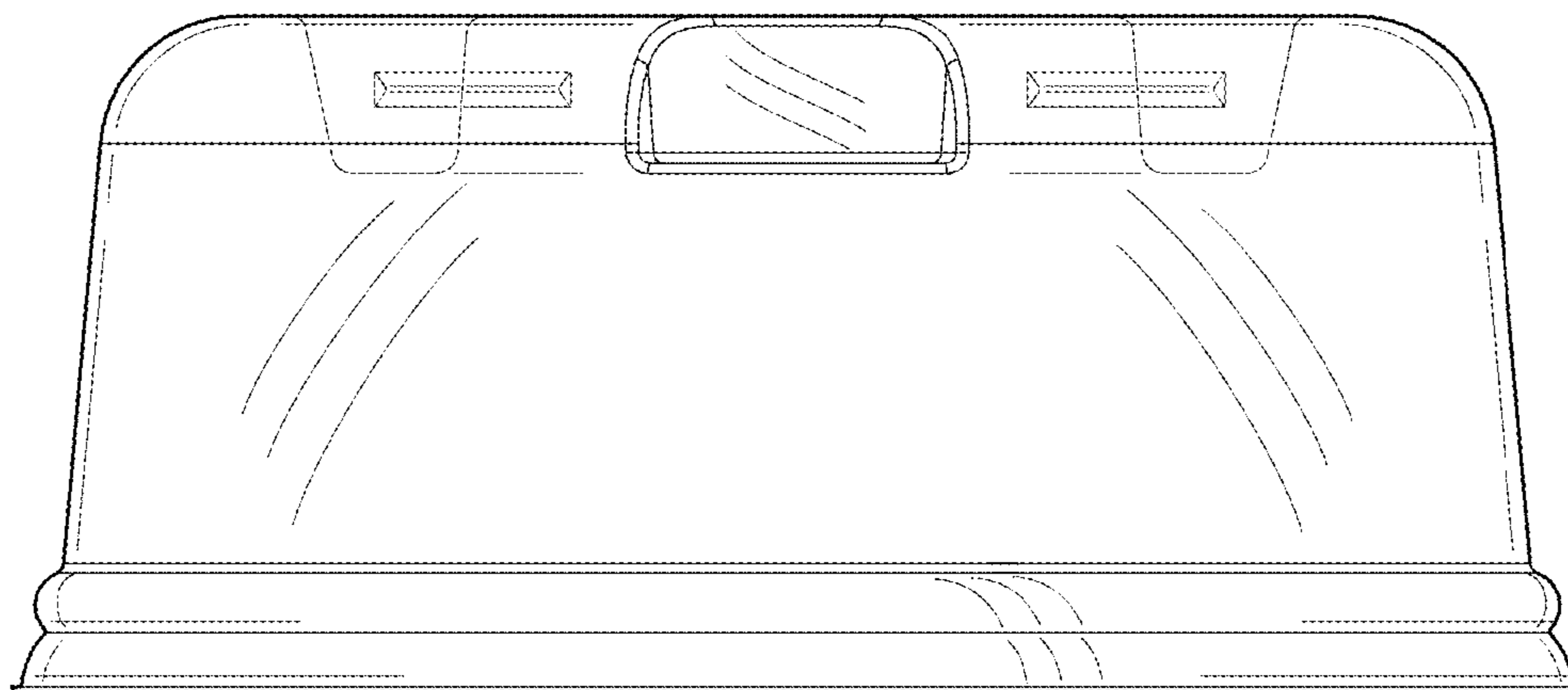


FIG. 7

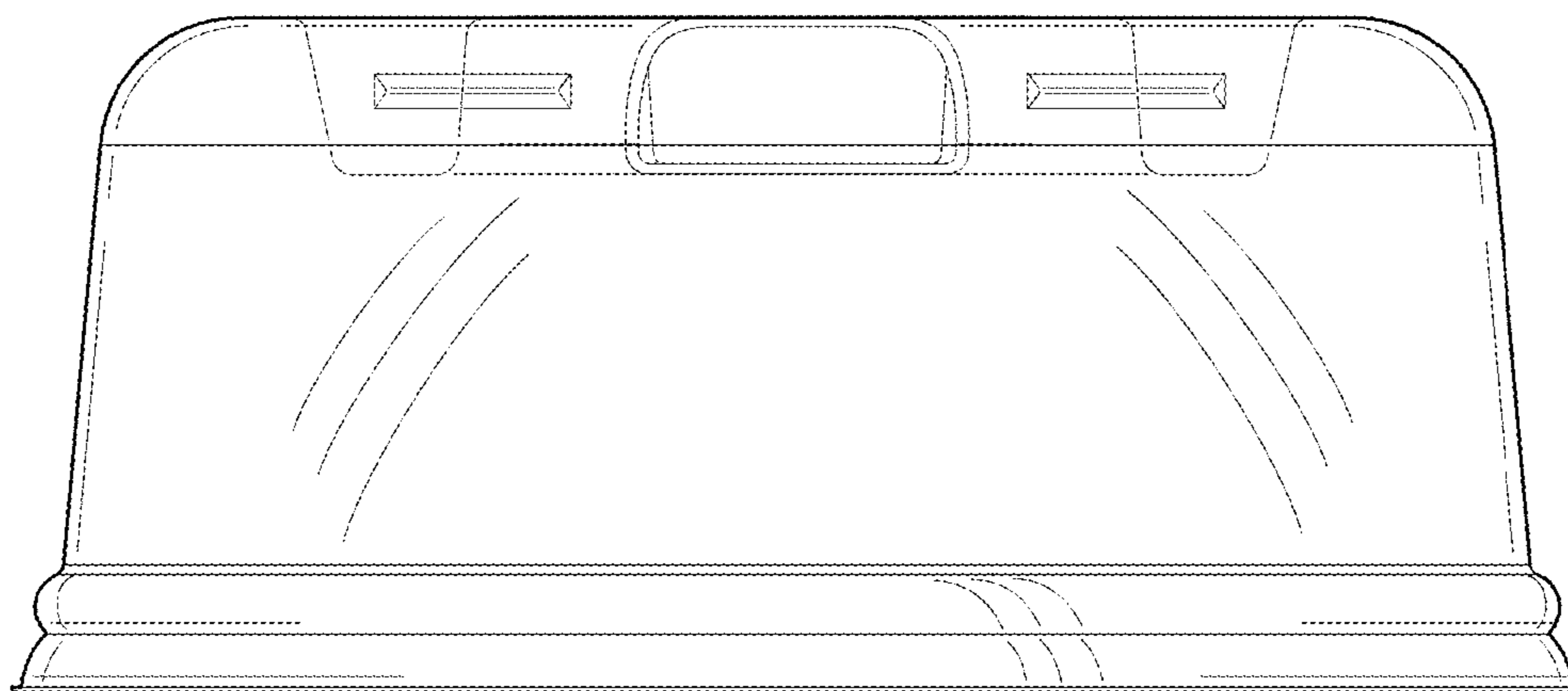


FIG. 8

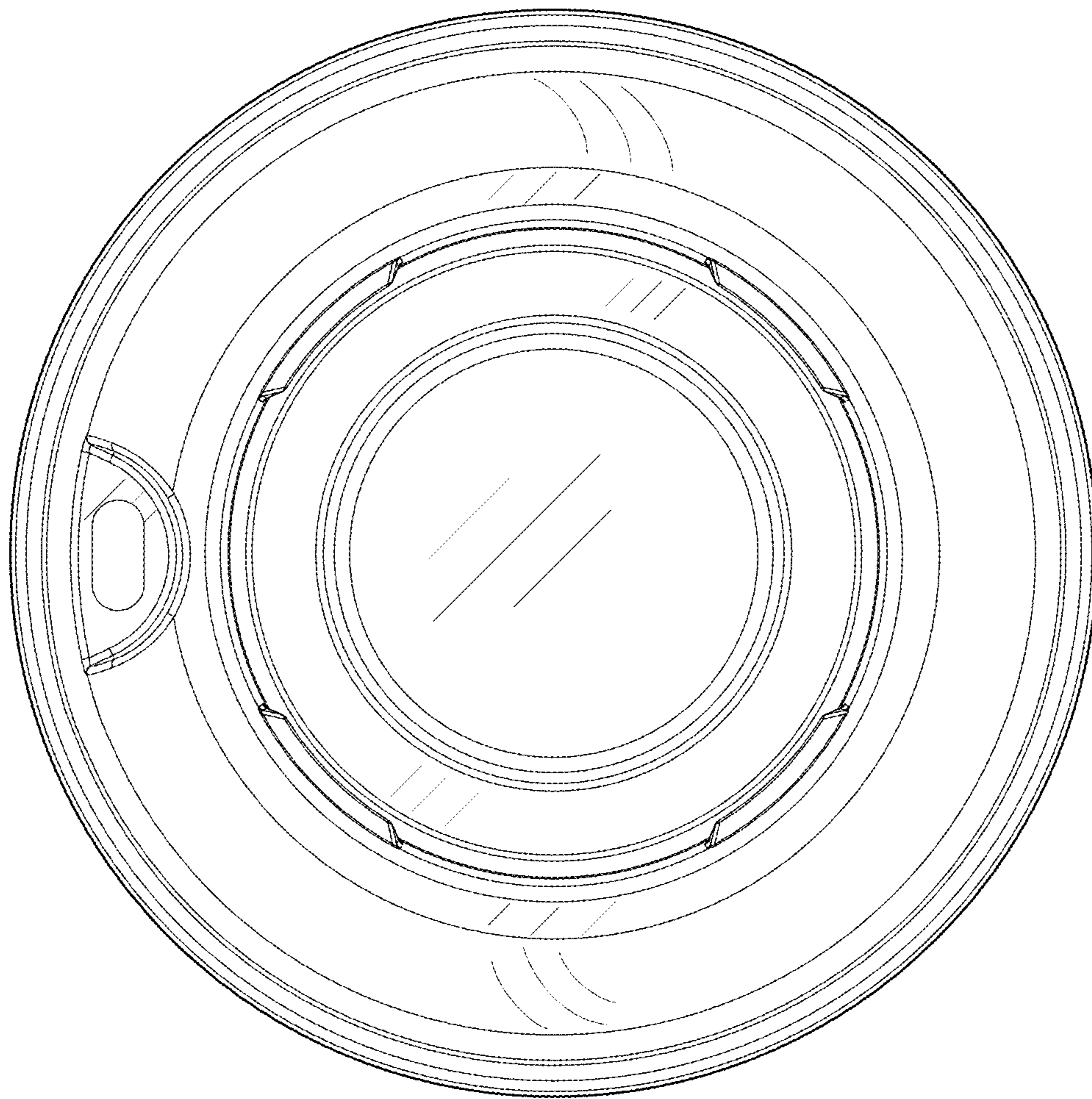


FIG. 9

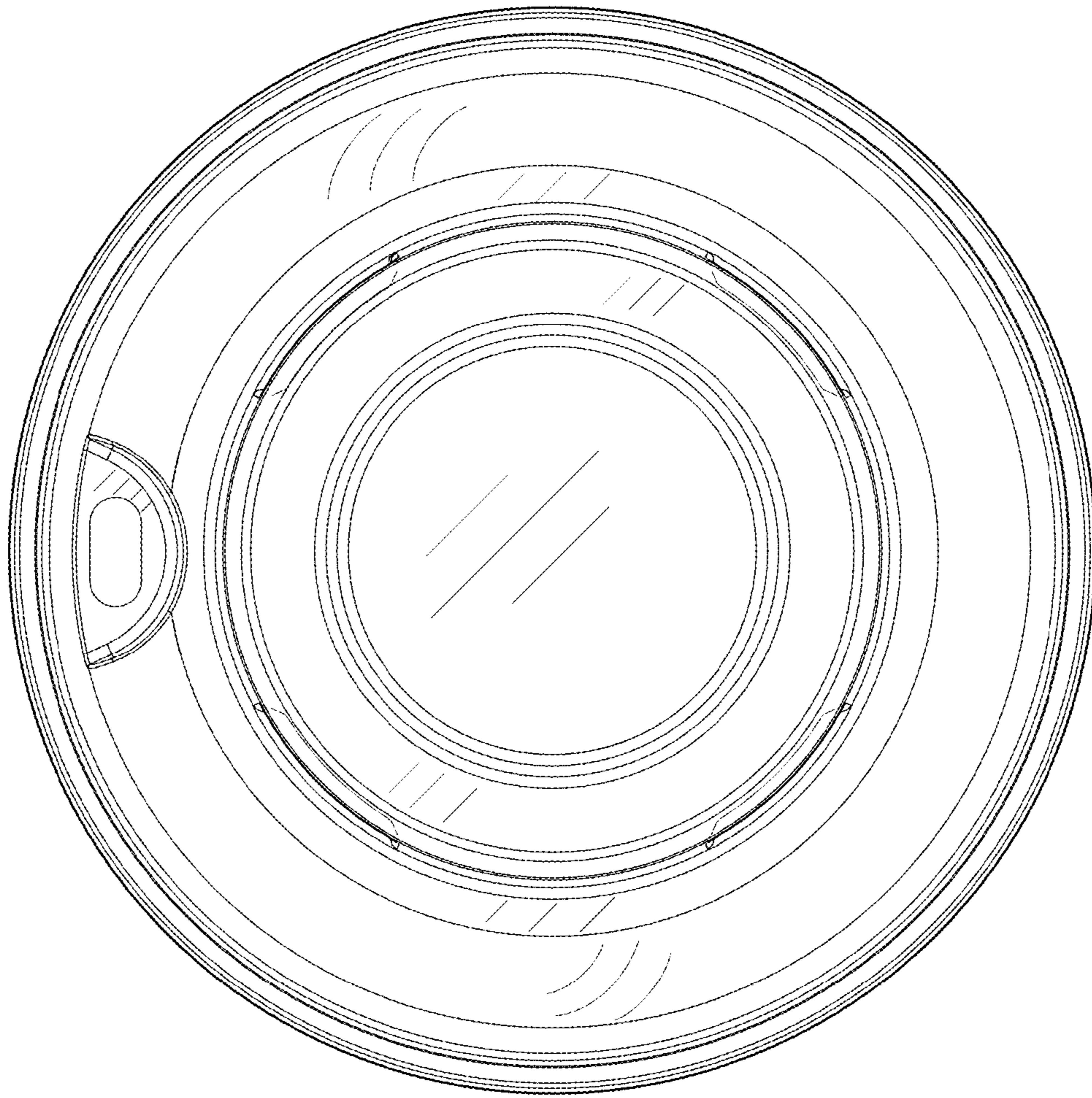


FIG. 10

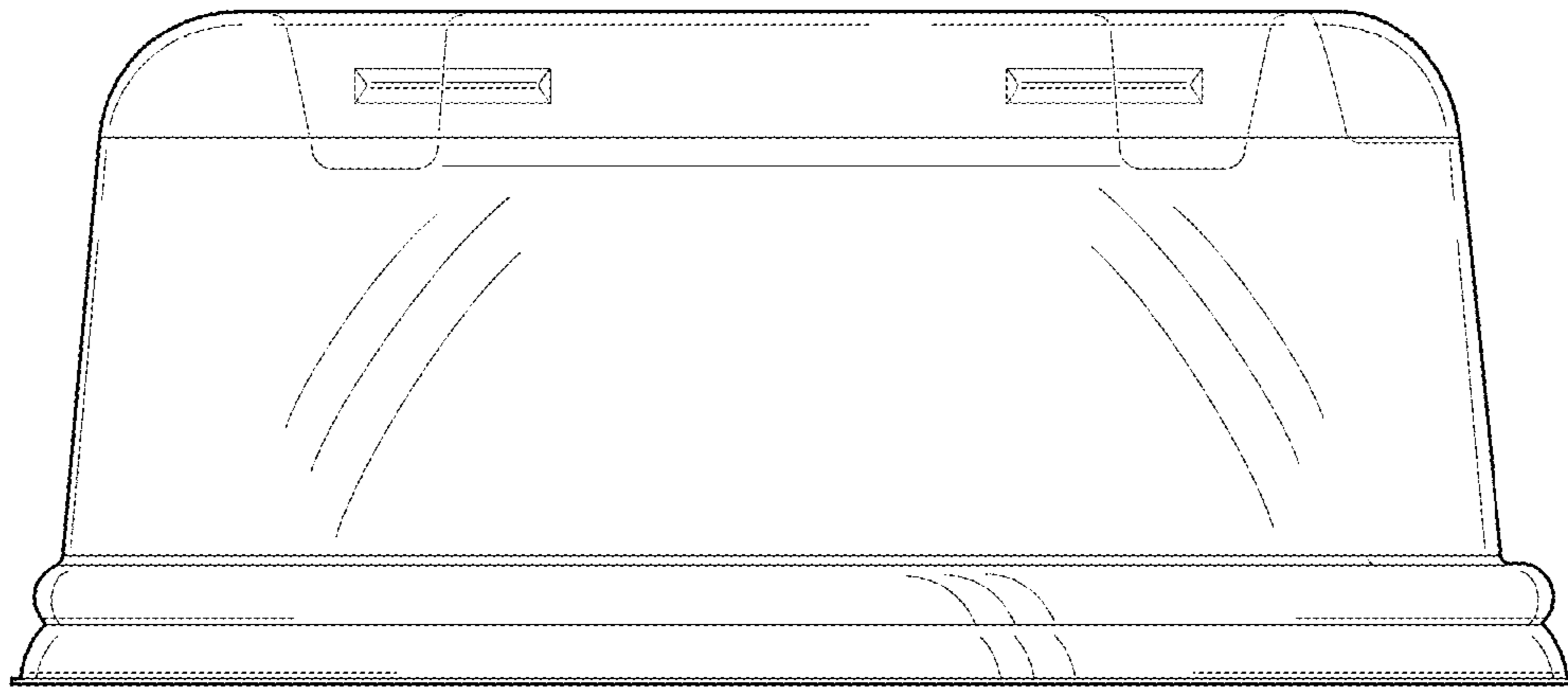


FIG. 11