



US00D777031S

(12) **United States Design Patent**
Katopis

(10) **Patent No.:** **US D777,031 S**

(45) **Date of Patent:** **** Jan. 24, 2017**

(54) **PACKAGING CAP WITH EXPANDABLE MEASURING CUP**

(71) Applicant: **Chris J. Katopis**, Washington, DC (US)

(72) Inventor: **Chris J. Katopis**, Washington, DC (US)

(**) Term: **14 Years**

(21) Appl. No.: **29/522,430**

(22) Filed: **Mar. 31, 2015**

(51) **LOC (10) Cl.** **09-07**

(52) **U.S. Cl.**
USPC **D9/436**

(58) **Field of Classification Search**
USPC D3/201, 202, 203.1; D24/121, 199; D7/300, 300.1, 302, 303, 305, 308, 321, D7/601, 602, 615, 703, 708.1, 619.1, 633, D7/387, 396.1, 396.2, 500, 509, 510, 511, D7/533, 536; D9/434, 435, 436, 440, 442, D9/444, 445, 447, D9/449, 453, 454, 446, D9/443, 723, 725, 728; D10/46.2, 46.3
CPC A45D 34/00; B65D 41/00; B65D 83/00; B65D 51/005; B65D 47/14; B65D 47/12; B65D 41/04; B65D 25/42; B65D 51/20
See application file for complete search history.

(56) **References Cited**

U.S. PATENT DOCUMENTS

- 272,713 A * 2/1883 Leake G01F 19/00 222/158
- D27,258 S * 6/1897 Kemble D10/46.2
- 2,198,256 A * 4/1940 Levy B01L 3/5021 241/DIG. 30
- D202,369 S * 9/1965 Feidman D10/46.2
- D256,936 S 9/1980 Popplewell
- D268,158 S * 3/1983 Doyel D10/46.3
- D273,965 S 5/1984 Lin
- 4,509,761 A 4/1985 Liu
- 4,519,613 A 5/1985 Martin

- D280,281 S * 8/1985 Conti D7/602
- 4,538,818 A 9/1985 Sinclair
- 4,587,846 A * 5/1986 Coma G01F 19/00 116/308
- D289,720 S * 5/1987 Maher D7/396.2
- D311,477 S * 10/1990 Fallgatter D7/619.1
- 5,058,883 A 10/1991 Dybvik
- 5,078,189 A 1/1992 Ronsonet
- 5,421,587 A 6/1995 Mao-Huang
- D366,840 S * 2/1996 Schagerstrom D10/46.2
- D374,147 S * 10/1996 Lillelund D7/300.1
- D392,038 S * 3/1998 Annis D24/121

(Continued)

Primary Examiner — Robert M Spear

Assistant Examiner — Marissa J Cash

(74) *Attorney, Agent, or Firm* — Chris J. Katopis

(57) **CLAIM**

The ornamental design for a packaging cap with expandable measuring cup, as shown and described.

DESCRIPTION

FIG. 1 is a front perspective view of a packaging cap with expandable measuring cup, in a closed position, showing the new design;

FIG. 2 is a front view thereof;

FIG. 3 is a rear view thereof;

FIG. 4 is the left side view thereof;

FIG. 5 is the right side view thereof;

FIG. 6 is the top view thereof;

FIG. 7 is the bottom view thereof;

FIG. 8 is a front perspective view of said packaging cap with expandable measuring cup, in an open position;

FIG. 9 is the front view thereof;

FIG. 10 is the rear view thereof;

FIG. 11 is a side view thereof;

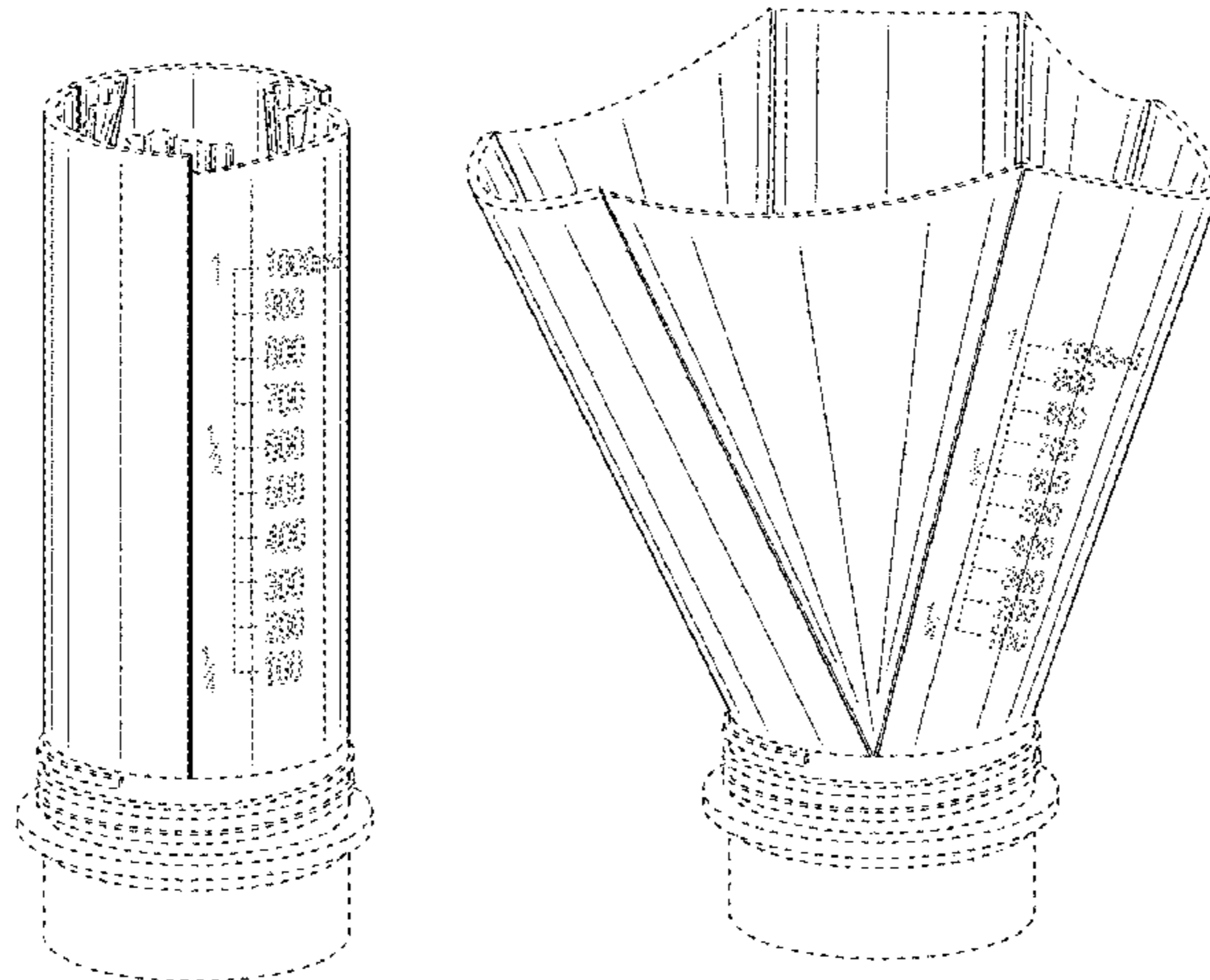
FIG. 12 is the opposite side view thereof;

FIG. 13 is the top view thereof; and,

FIG. 14 is the bottom view thereof.

In the drawings, the broken lines depict environmental subject matter only and form no part of the claimed design.

1 Claim, 11 Drawing Sheets



(56)

References Cited

U.S. PATENT DOCUMENTS

D422,923	S *	4/2000	Wei	D10/46.2
D437,239	S *	2/2001	Wei	D10/46.2
D461,420	S *	8/2002	Kerman	D10/46.2
D464,231	S *	10/2002	Crowley	D7/396.2
6,921,480	B2	7/2005	Post	
6,938,860	B2	9/2005	Singleton	
D511,455	S *	11/2005	Newell	D9/436
D530,968	S *	10/2006	Bodum	D7/300.1
D533,471	S *	12/2006	Jordan	D10/46.2
D546,178	S *	7/2007	McClain	D9/435
D558,070	S *	12/2007	Bober	D10/46.2
8,104,647	B2 *	1/2012	Bober	B05B 9/0822 222/153.09
8,585,518	B2	11/2013	Dai	
D718,127	S	11/2014	Moriyama et al.	
D727,097	S *	4/2015	Sorensen	D7/505
D729,932	S *	5/2015	Riordan	D24/121
D733,497	S *	7/2015	Sorensen	D7/509
D743,279	S *	11/2015	Schwartz	D10/46.2

* cited by examiner

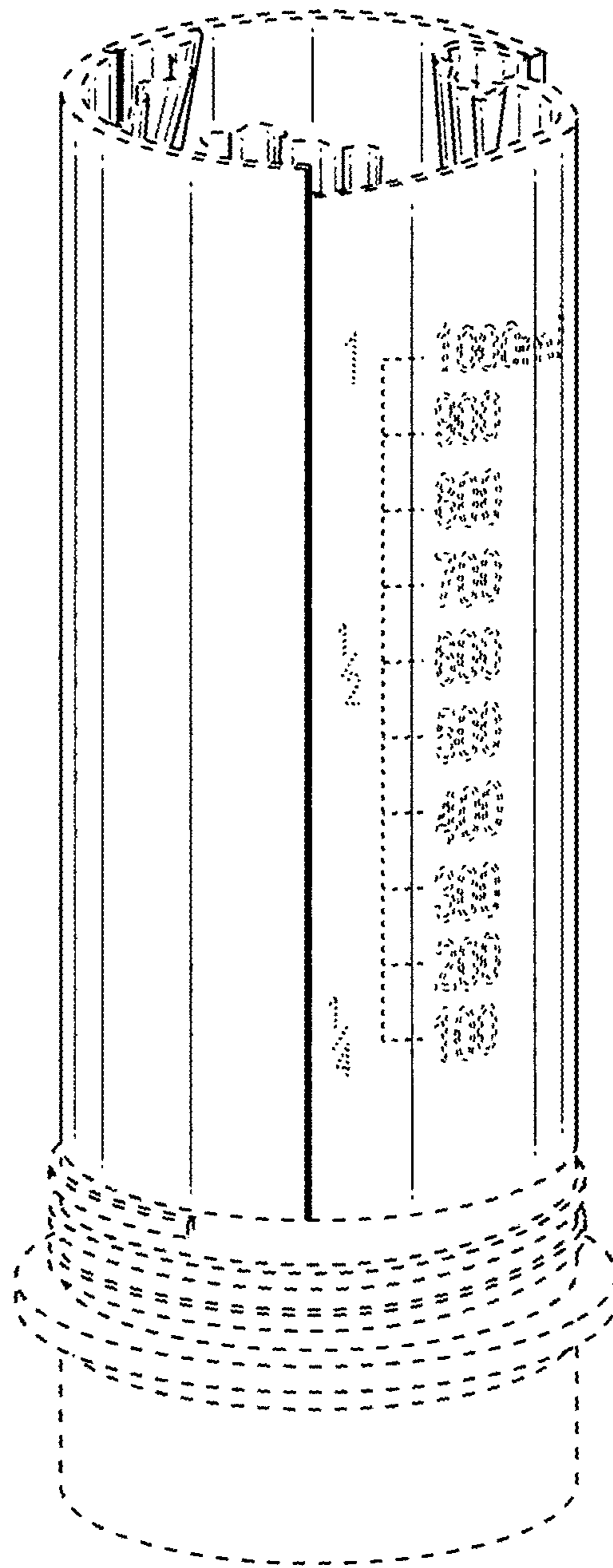


FIG. 1

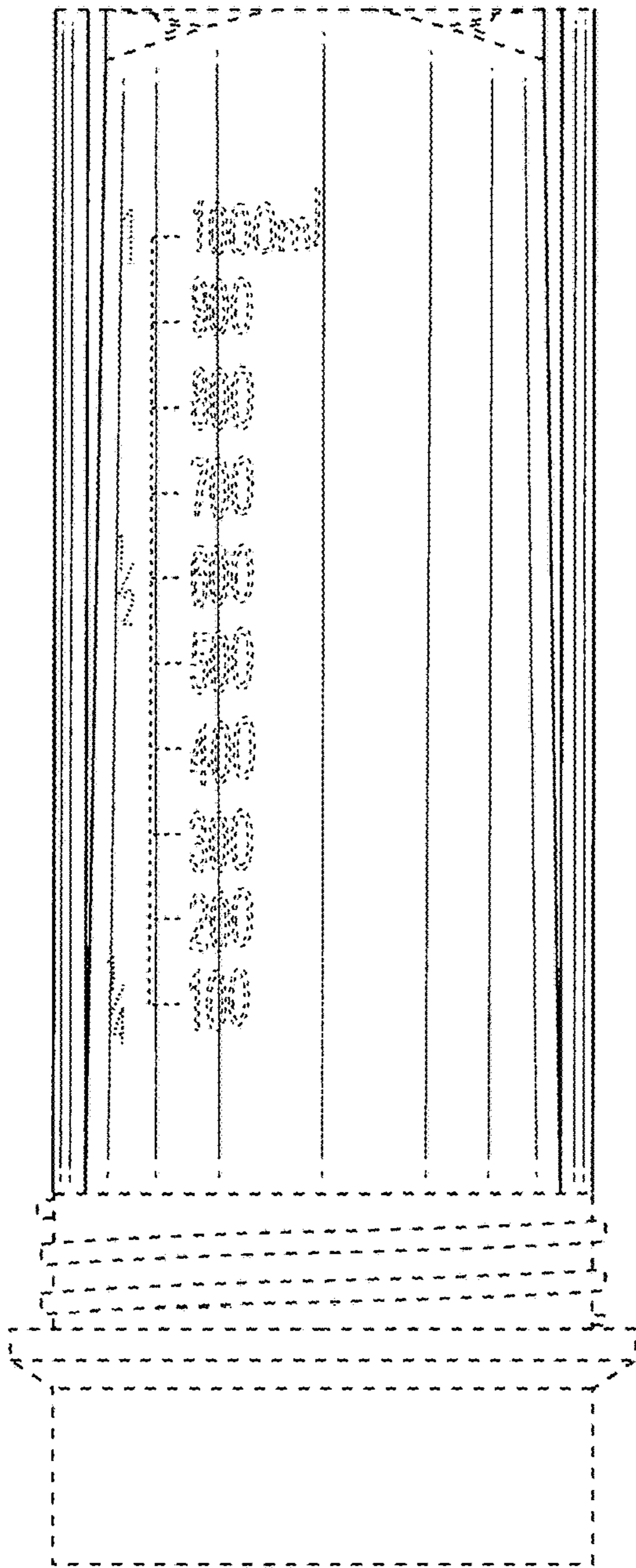


FIG. 2

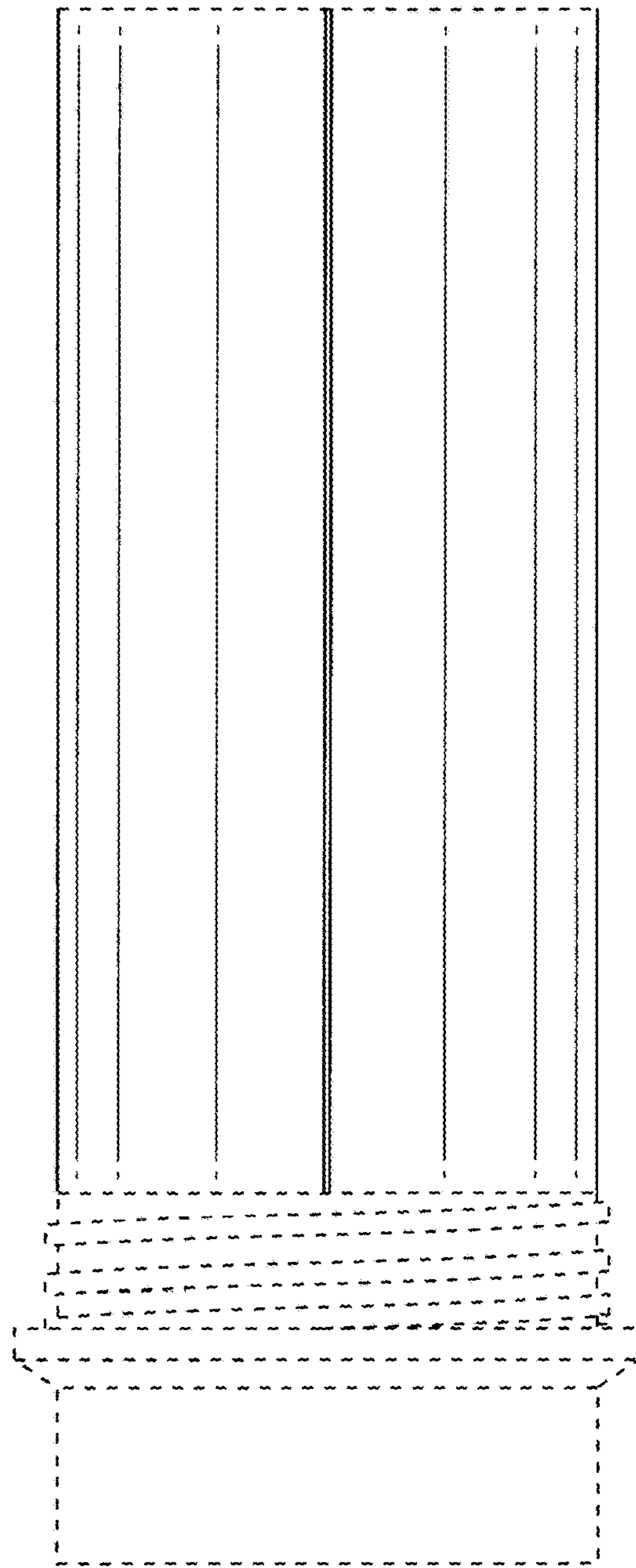


FIG. 3

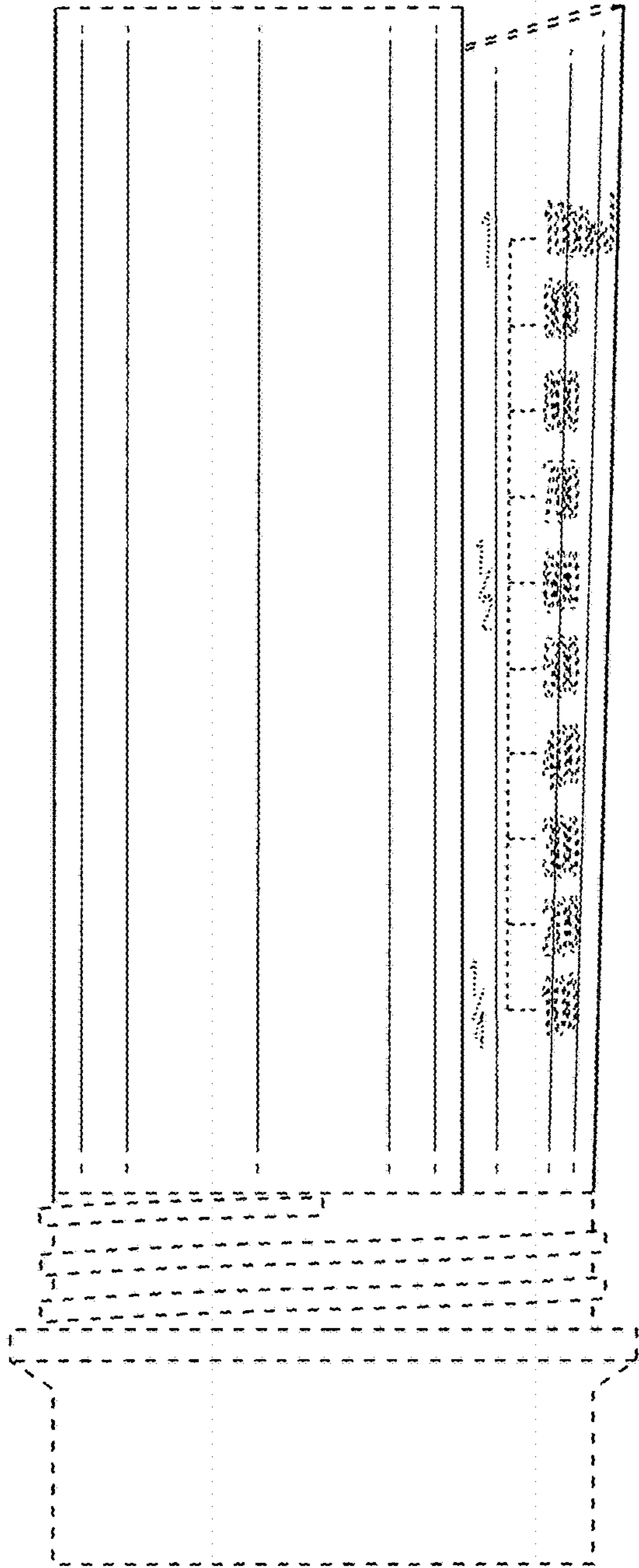


FIG. 4

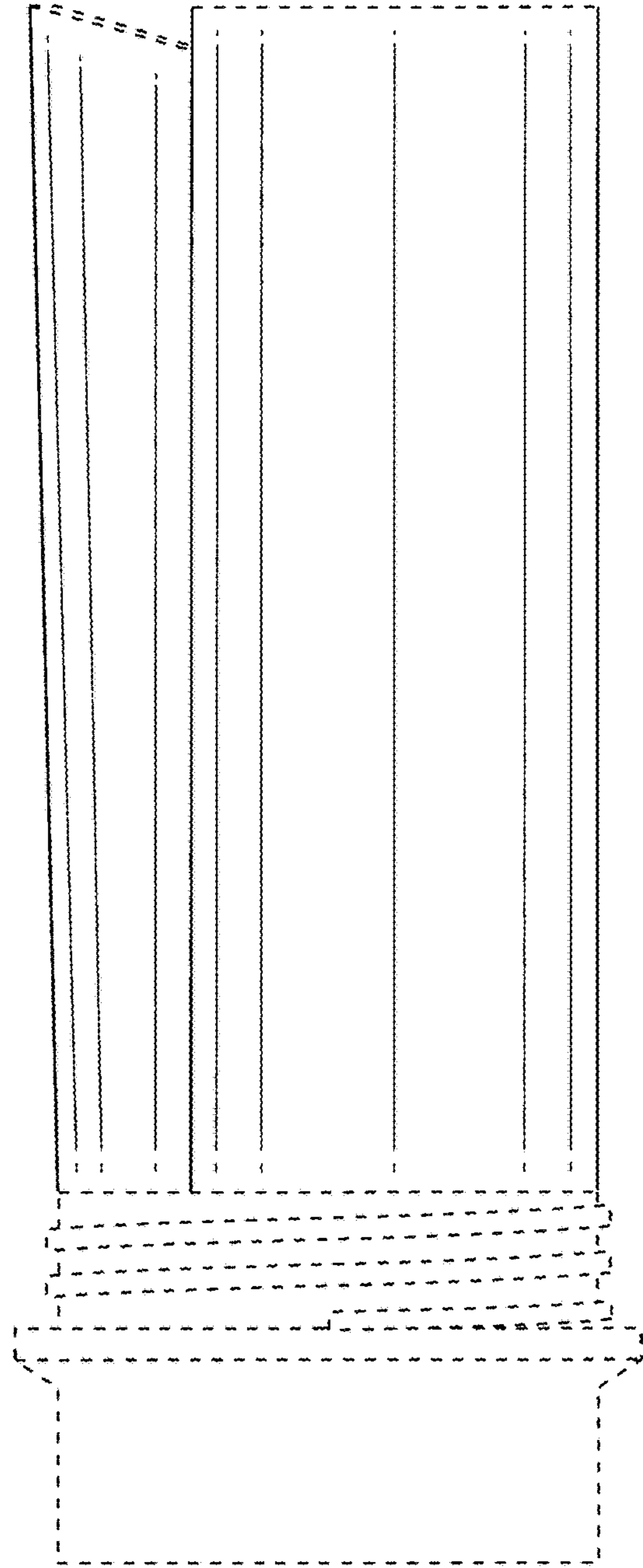


FIG. 5

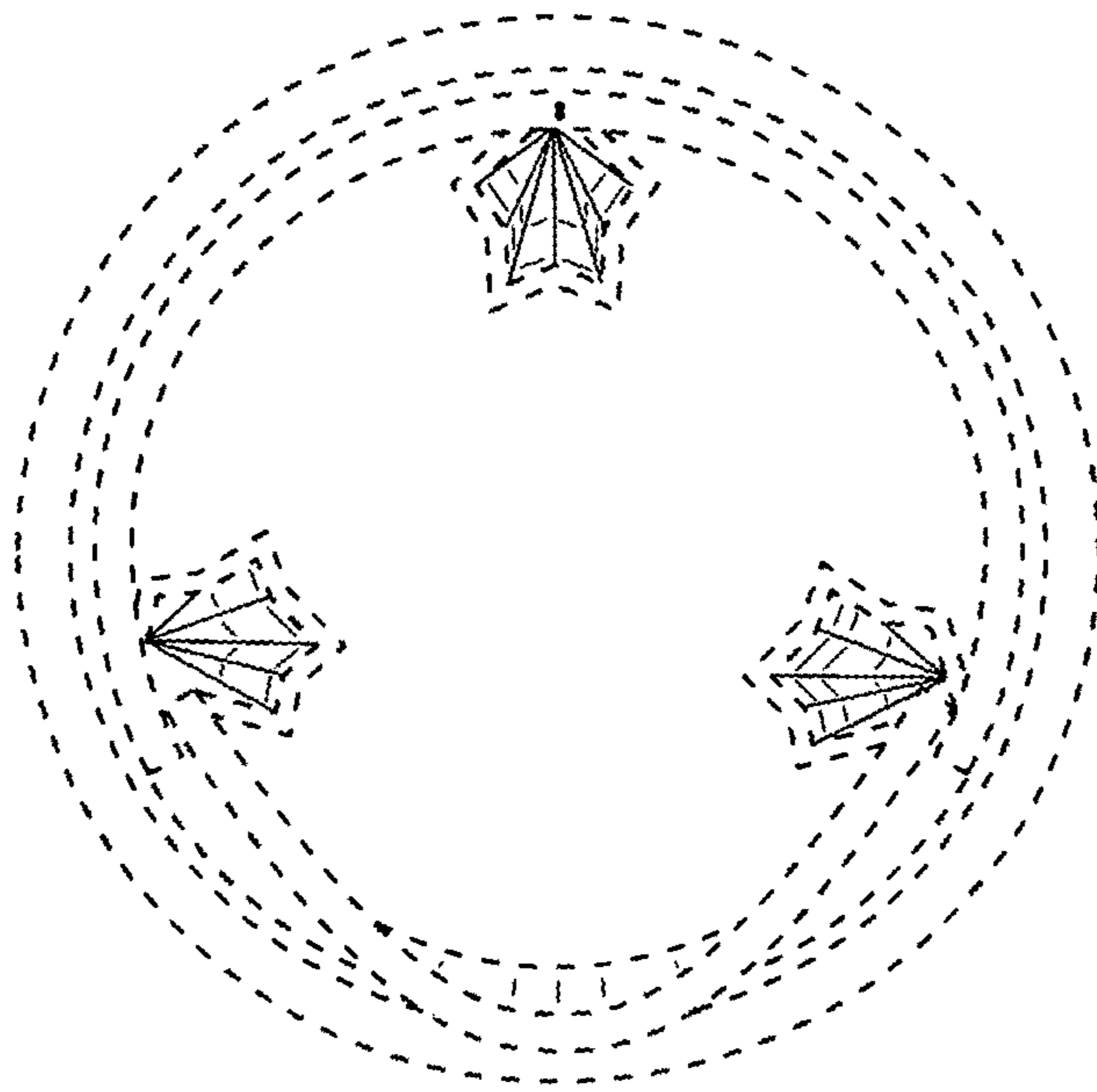


FIG. 6

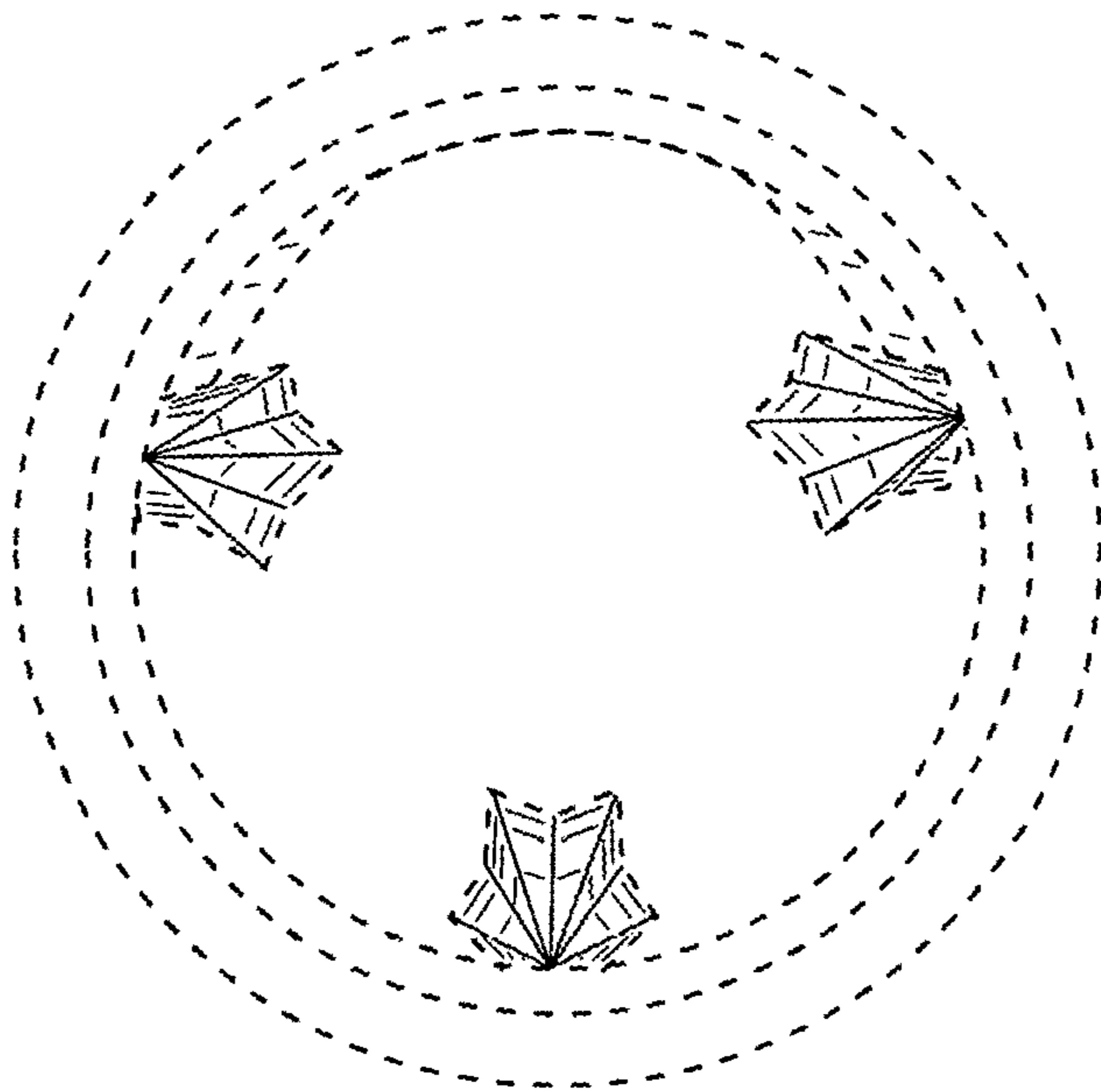


FIG. 7

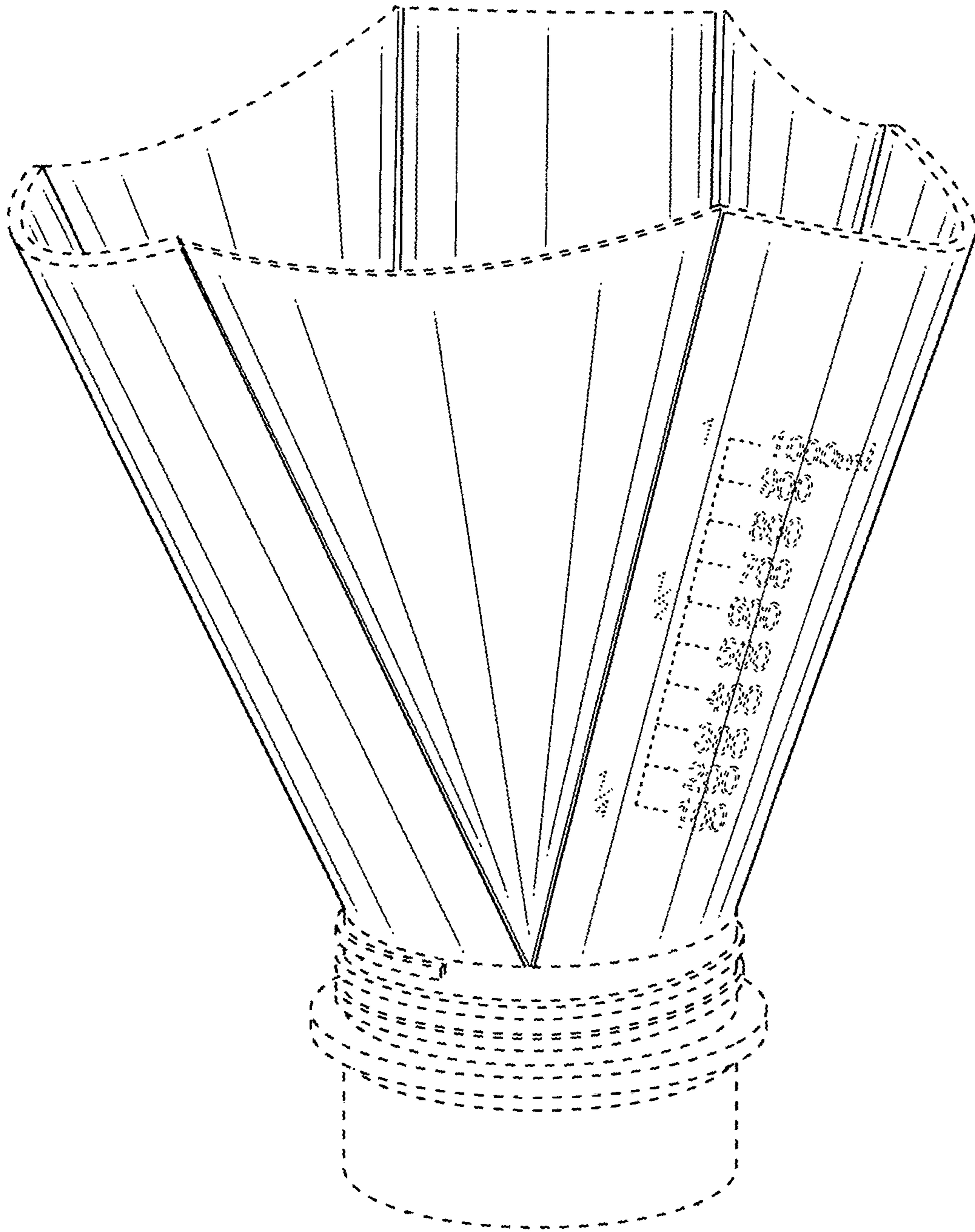


FIG. 8

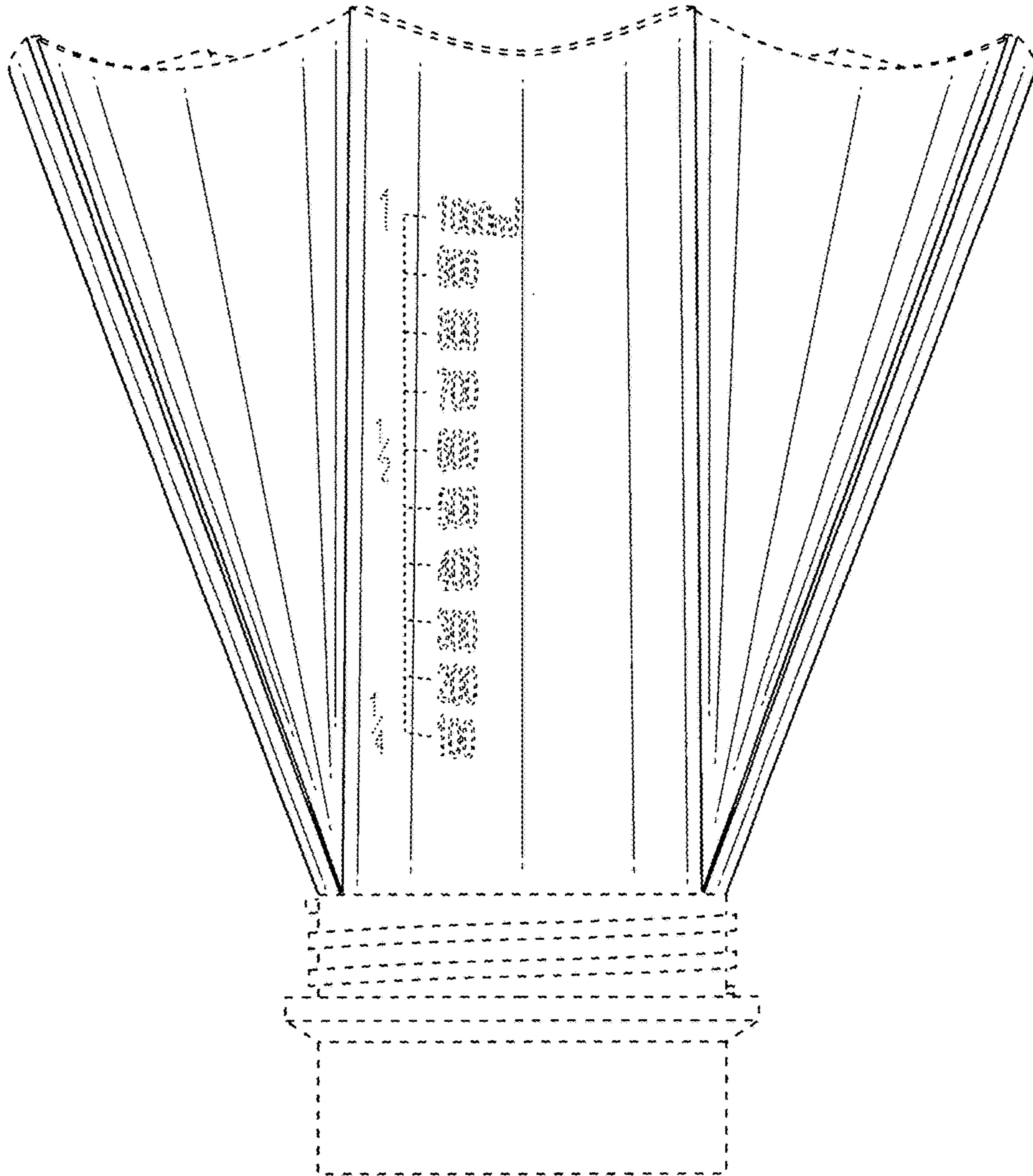


FIG. 9

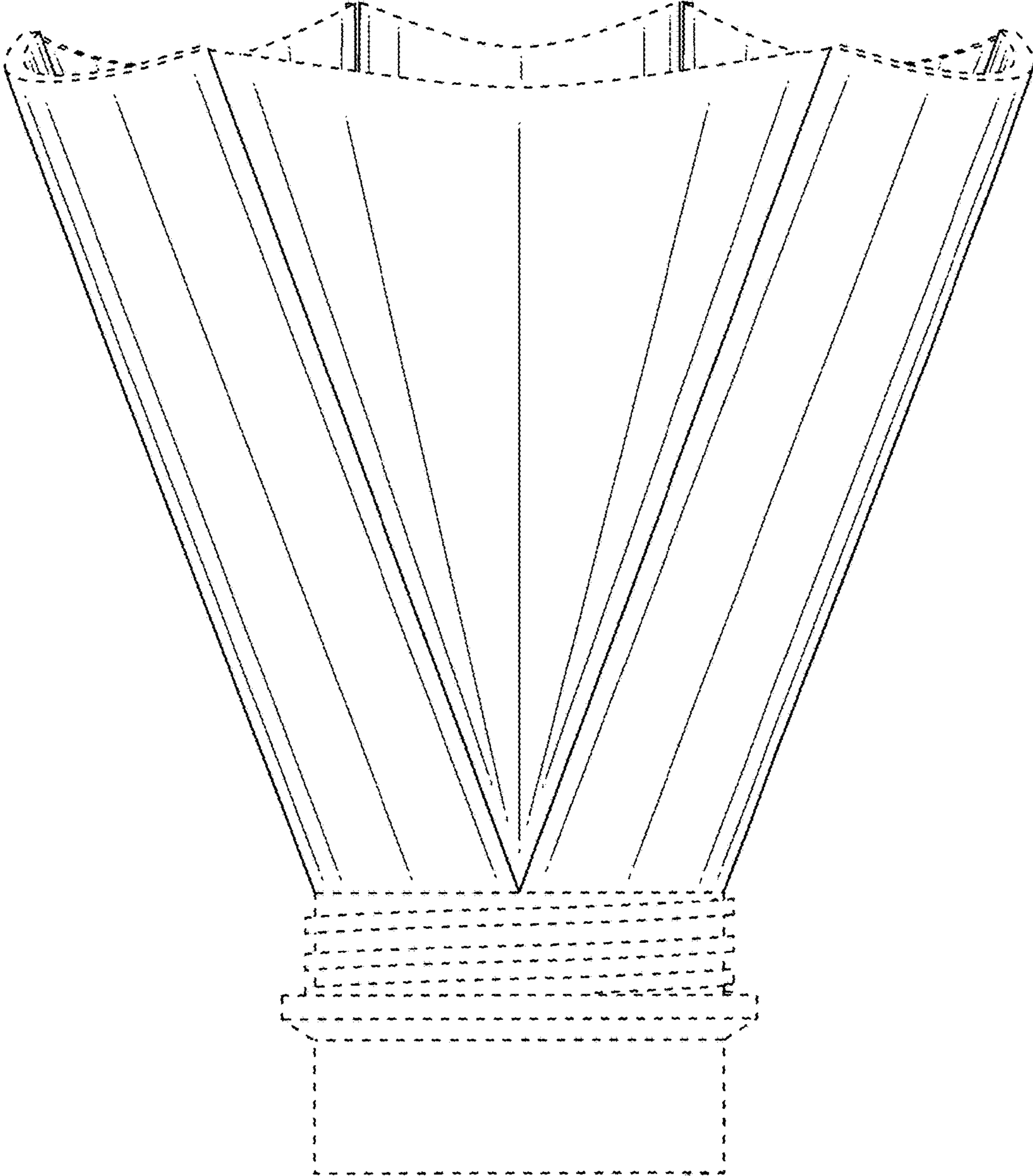


FIG. 10

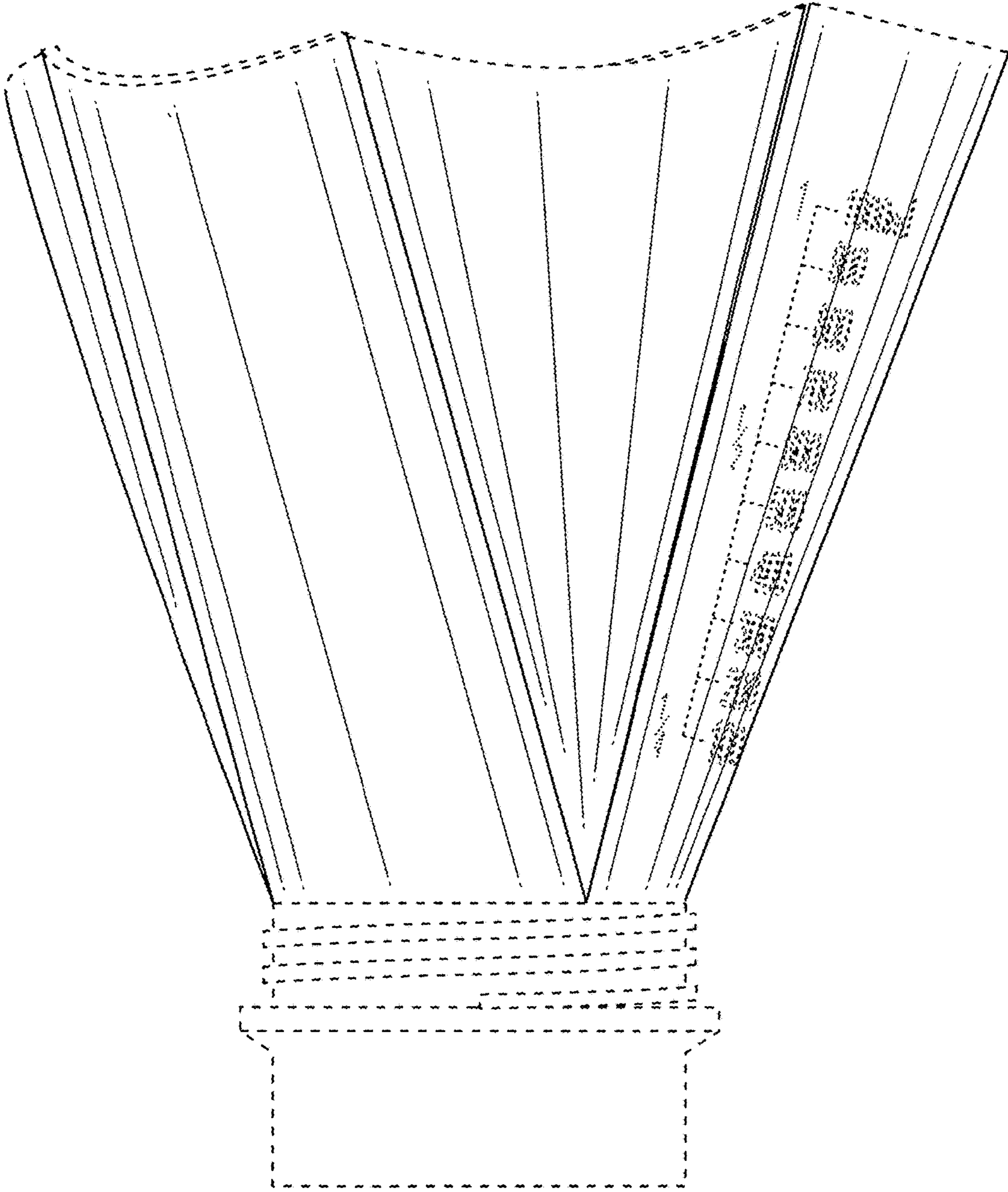


FIG. 11

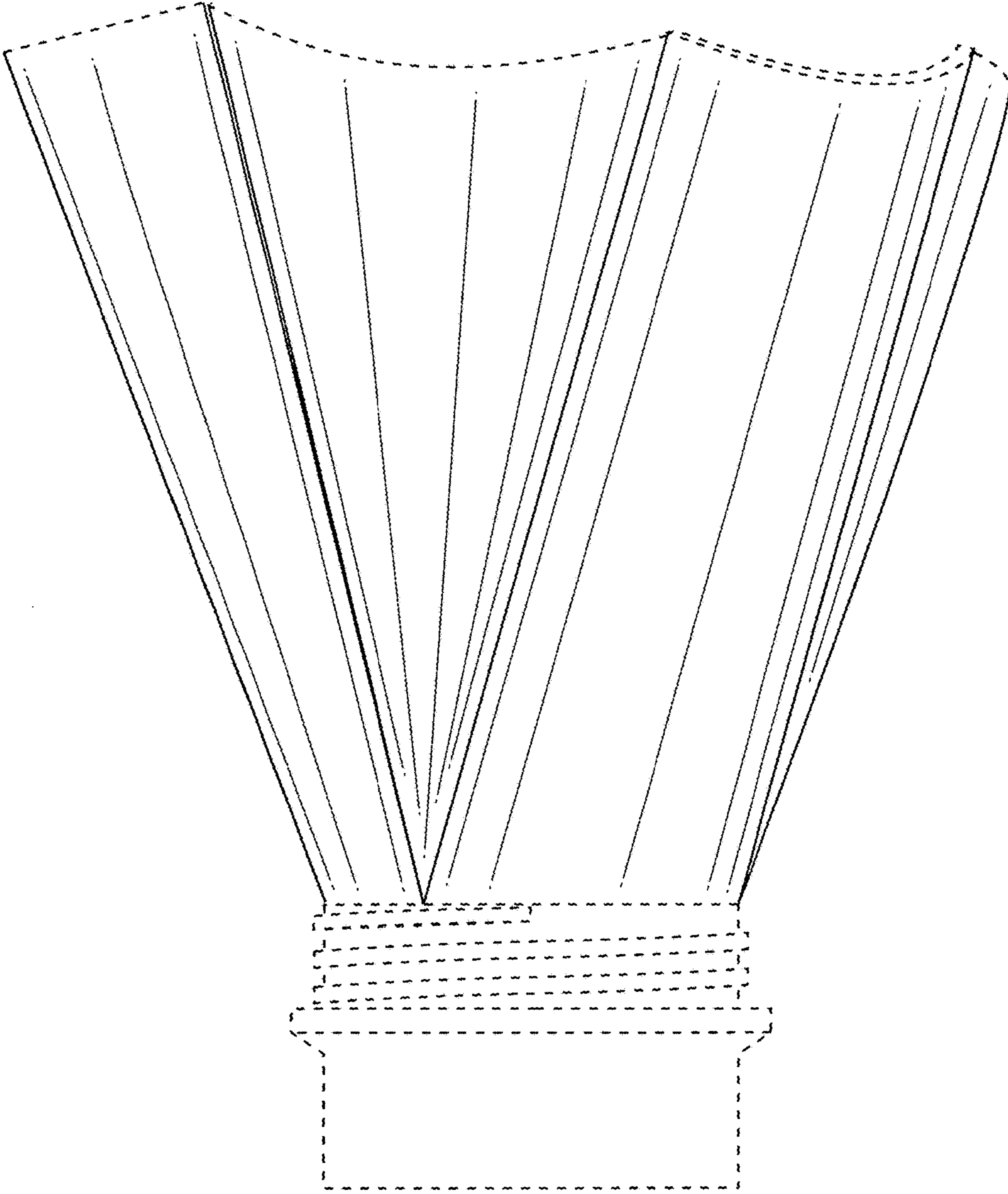


FIG. 12

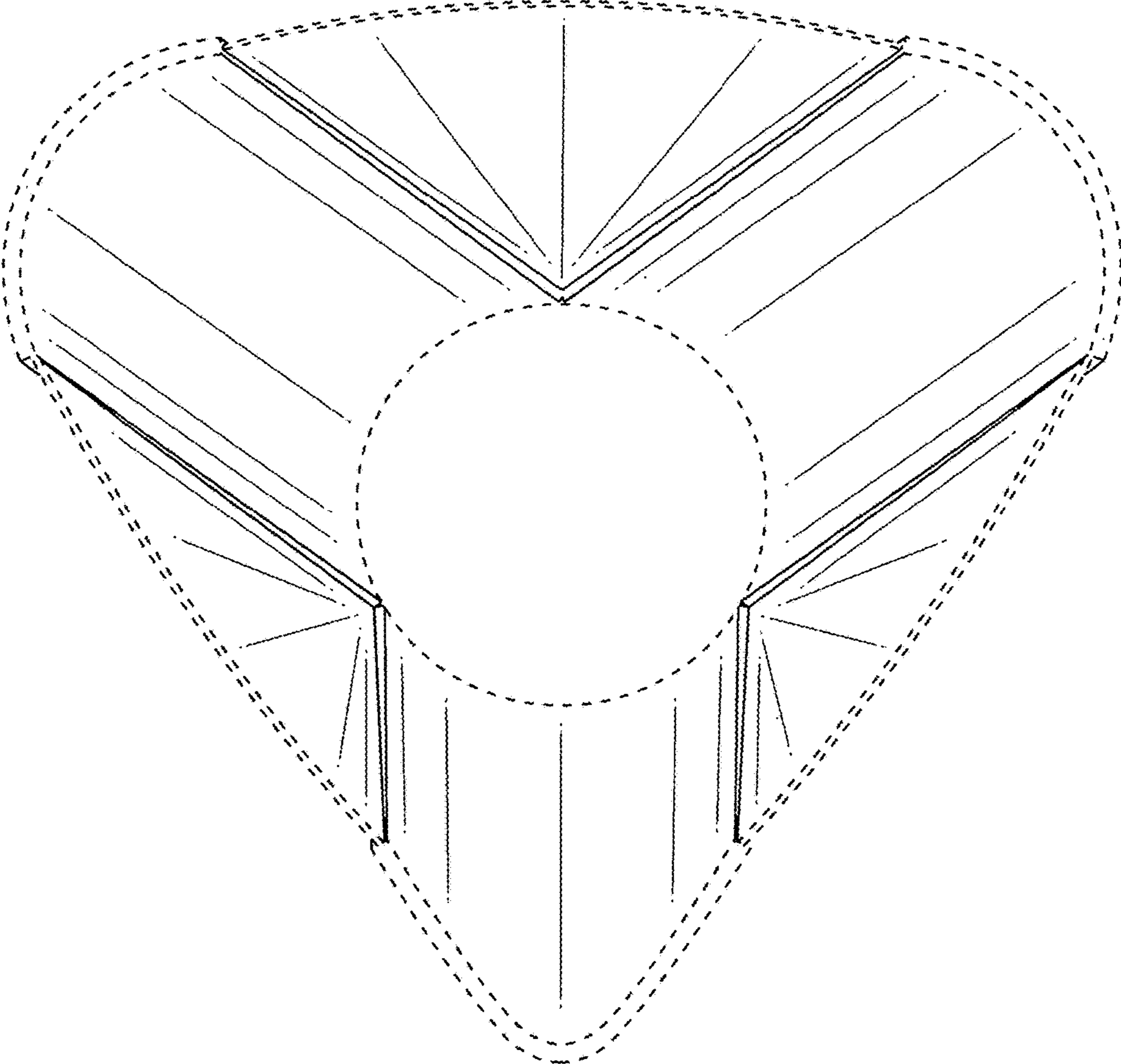


FIG. 13

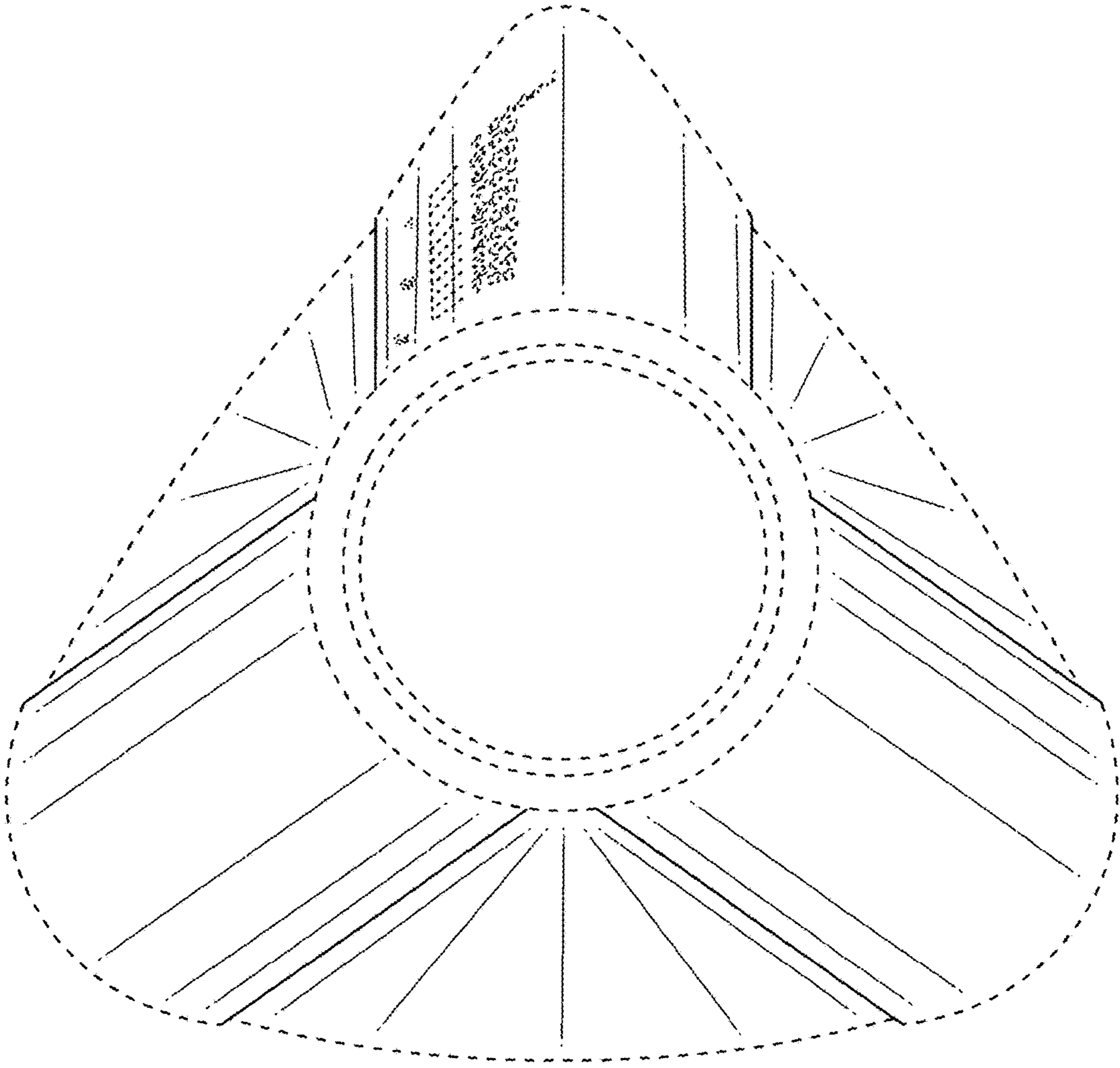


FIG. 14