



US00D777029S

(12) **United States Design Patent**
Stratton

(10) **Patent No.:** **US D777,029 S**
(45) **Date of Patent:** **** Jan. 24, 2017**

(54) **CONTAINER CLOSURE**

- (71) Applicant: **IPG, Inc.**, Delaware, OH (US)
- (72) Inventor: **Craig W. Stratton**, Delaware, OH (US)
- (73) Assignee: **IPG, Inc.**, Delaware, OH (US)
- (**) Term: **15 Years**

(21) Appl. No.: **29/537,760**

(22) Filed: **Aug. 28, 2015**

(51) **LOC (10) Cl.** **09-07**

(52) **U.S. Cl.**
USPC **D9/435**

(58) **Field of Classification Search**
USPC D5/55, 99; D9/414, 415, 418, 432,
D9/434-436, 455-457, 499, 702, 707,
D9/748; D19/1, 100; D20/22, 27
CPC B65D 71/48
See application file for complete search history.

(56) **References Cited**

U.S. PATENT DOCUMENTS

2,062,949	A *	12/1936	Taylor	B65D 5/4204 229/123.2
5,927,502	A *	7/1999	Hunter	B65D 21/02 206/194
D442,859	S *	5/2001	Hirschey	D9/418
D497,309	S *	10/2004	Nordland	D9/415
D521,862	S *	5/2006	Siethoff	D9/432
D531,498	S *	11/2006	Fluegel	D9/432
D567,671	S *	4/2008	Say Ulin	D9/753
D576,482	S *	9/2008	DeBusk	D9/416
D693,216	S *	11/2013	Sill	D9/418
D693,217	S *	11/2013	Sill	D9/418
D707,123	S *	6/2014	Marchetti	D9/434
D735,576	S *	8/2015	Aldridge	D9/435
D758,184	S *	6/2016	Tu	D9/432

OTHER PUBLICATIONS

Kalifornia Love. Jul. 28, 2010 [earliest online date], [site visited Nov. 4, 2016]. Available from Internet, <URL:http://www.kalifornialove.com/2010/07/extra-fruit-sensations-sweet-water-melon.html>.*

Nearof! Review: Stride Spark Vitamin Chewing Gum. Sep. 7, 2011 [earliest online date], [site visited Nov. 4, 2016]. Available from Internet, <URL:http://www.nearof.com/?p=540>.*

* cited by examiner

Primary Examiner — Robert M Spear

Assistant Examiner — Darcey E Heflin

(74) *Attorney, Agent, or Firm* — Ward and Smith, P.A.;
Ryan K. Simmons

(57) **CLAIM**

The ornamental design for a container closure, as shown and described.

DESCRIPTION

FIG. 1 is a perspective view of a container closure showing a new design;

FIG. 2 is a front elevation view thereof;

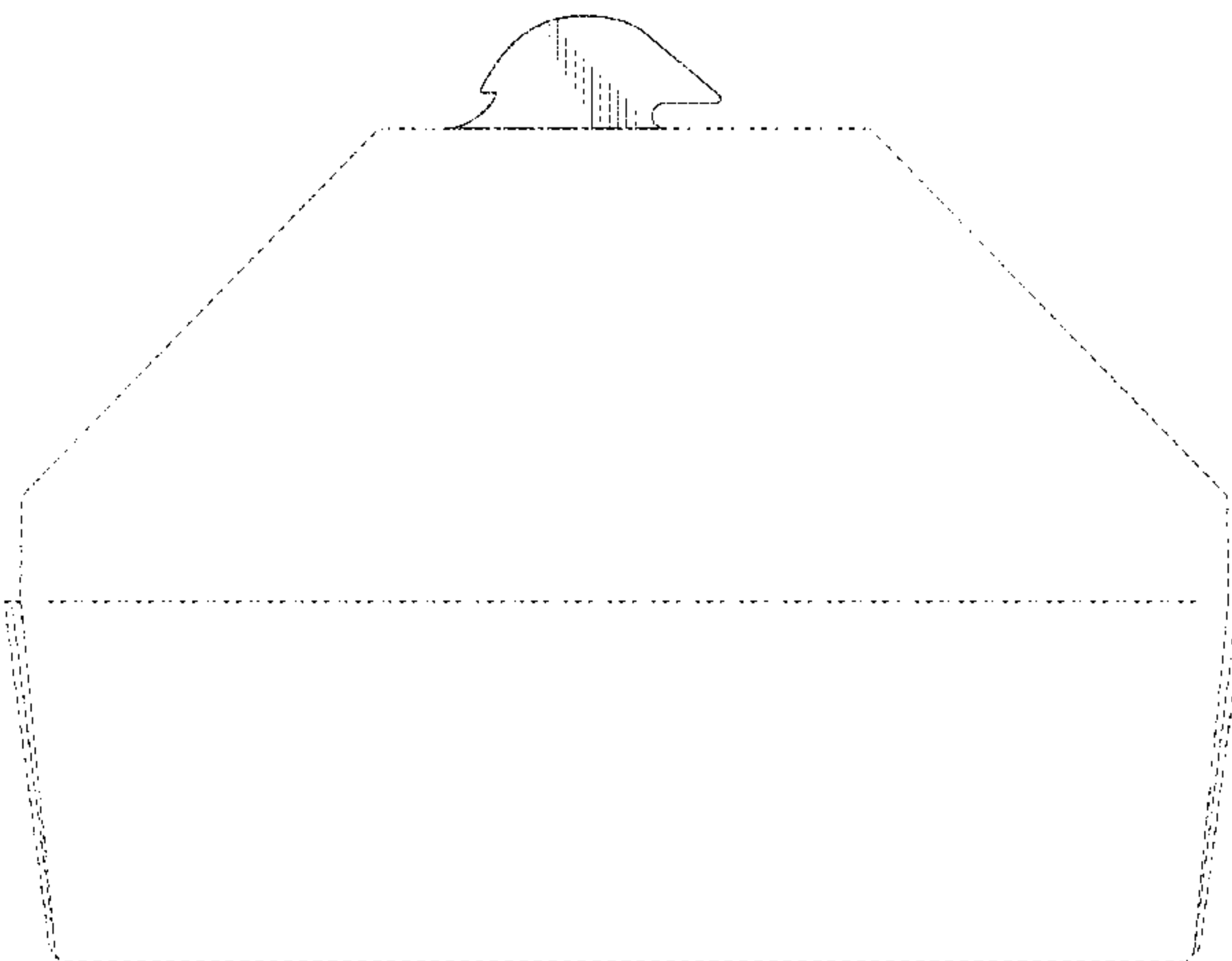
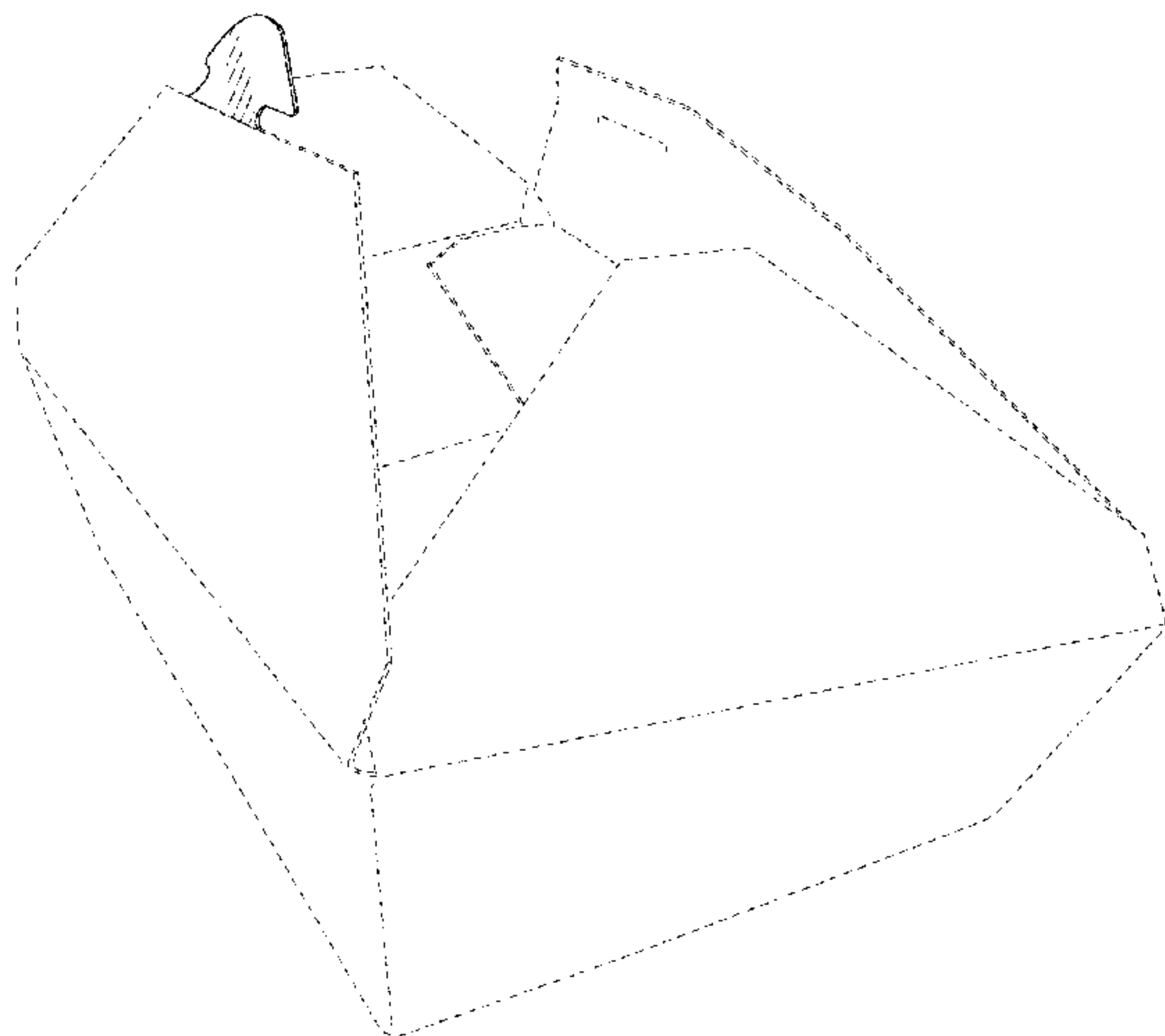
FIG. 3 is a rear elevation view thereof;

FIG. 4 is a top plan view, showing the container closure in a locked configuration; and,

FIG. 5 is a bottom plan view, showing the container closure in a locked configuration.

In the drawings, the evenly-spaced broken line showing of a container depicts environment and forms no part of the claim; the dash-dot-dash lines represent boundaries of the claimed design and form no part thereof.

1 Claim, 5 Drawing Sheets



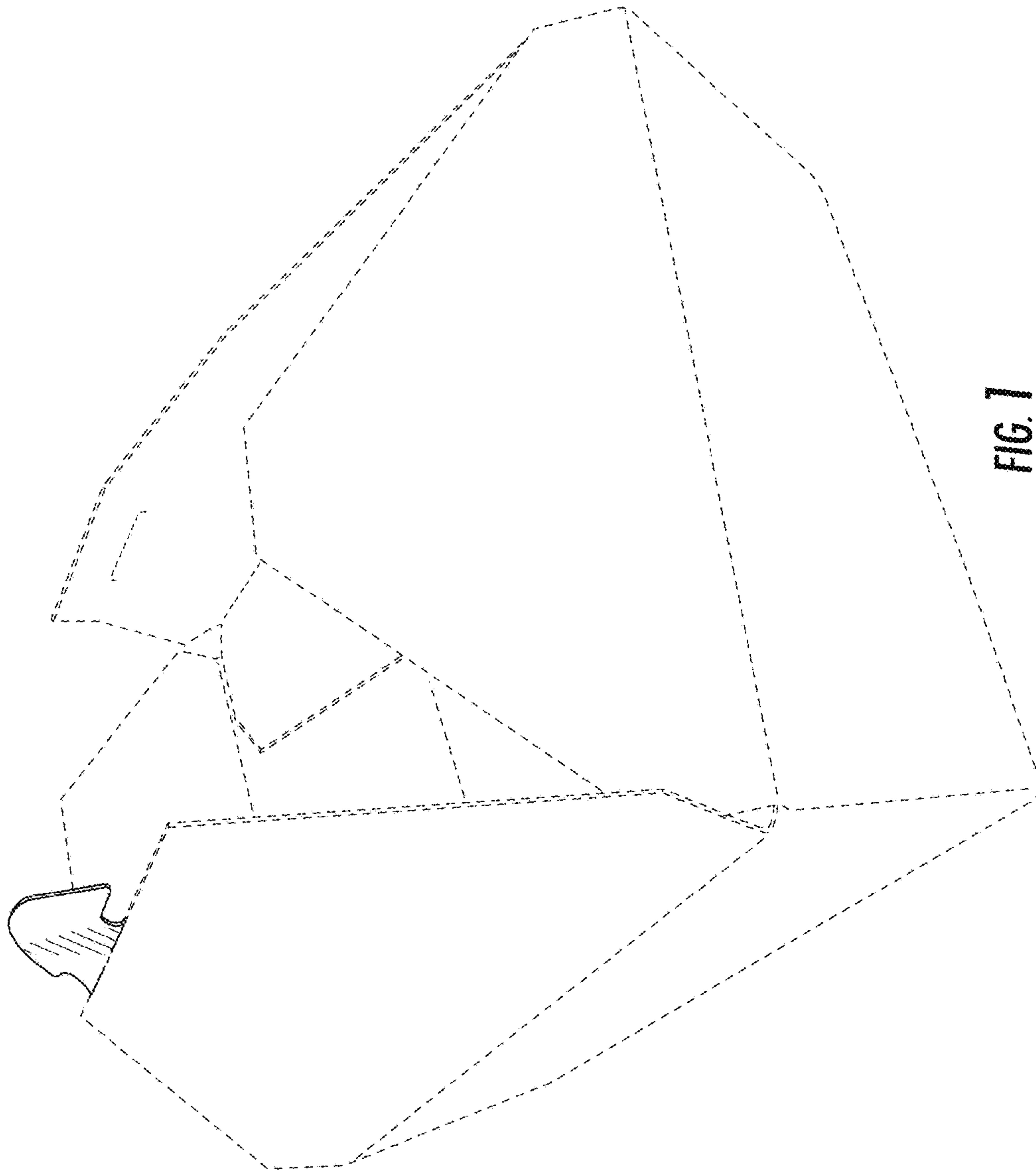


FIG. 1

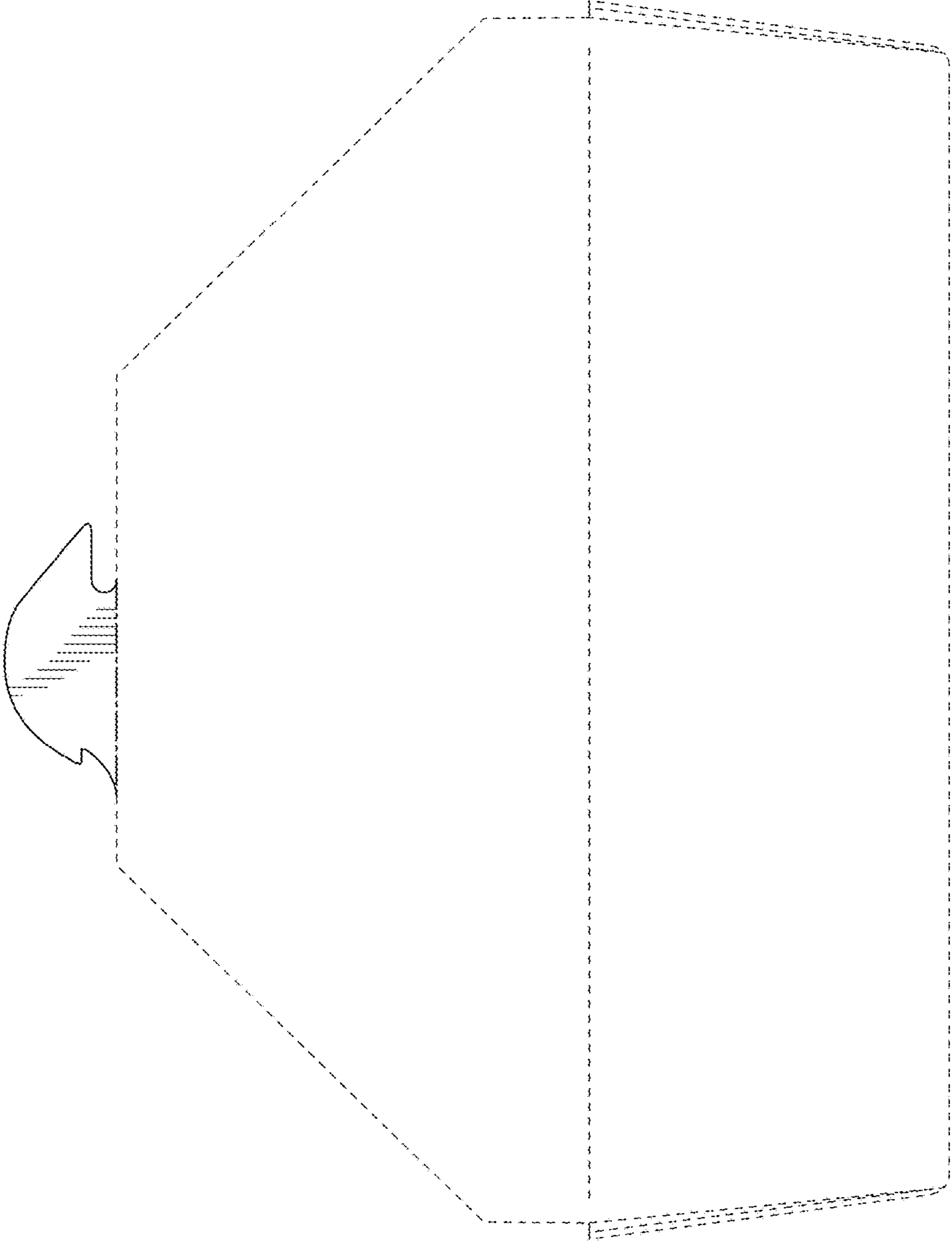


FIG. 2

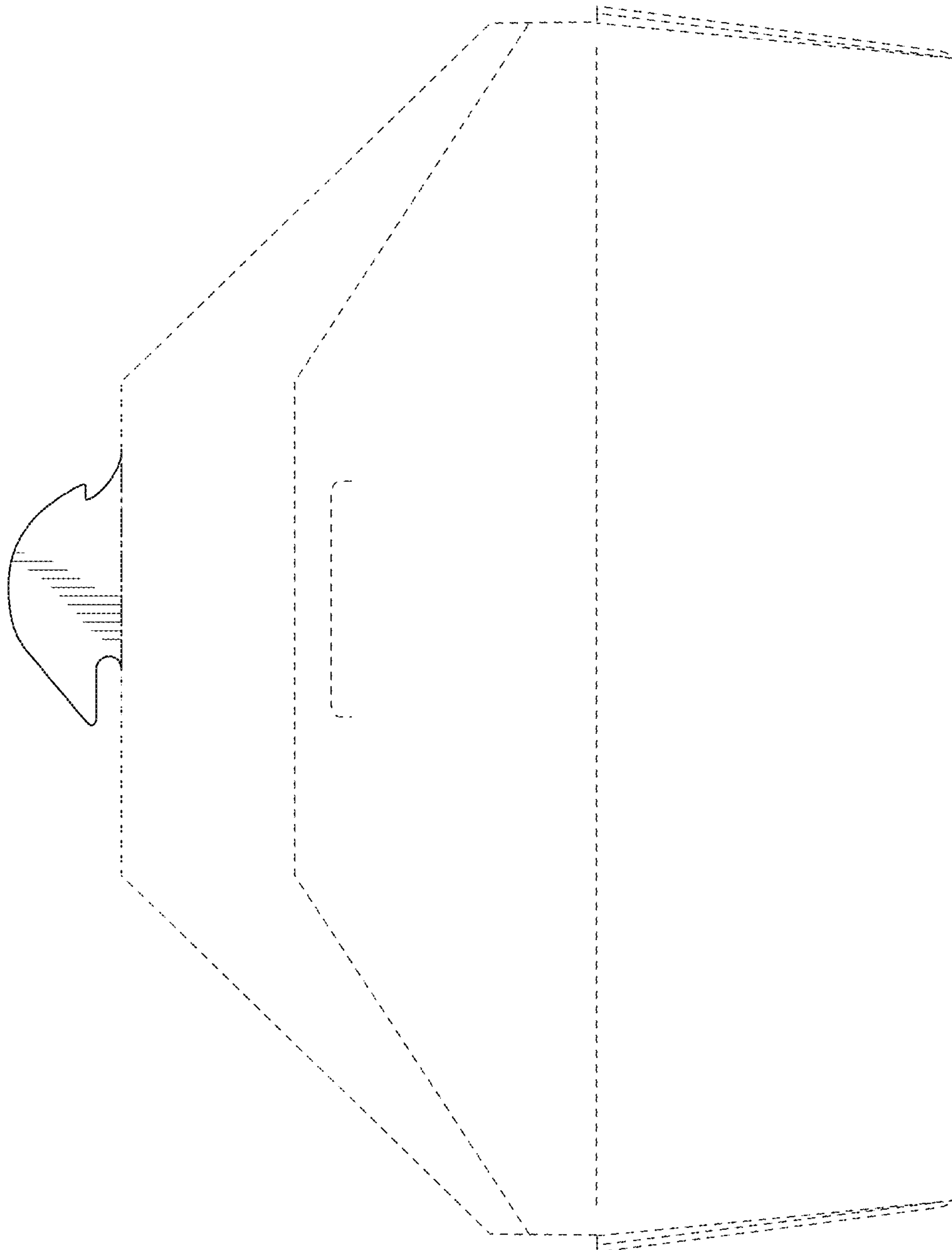


FIG. 3

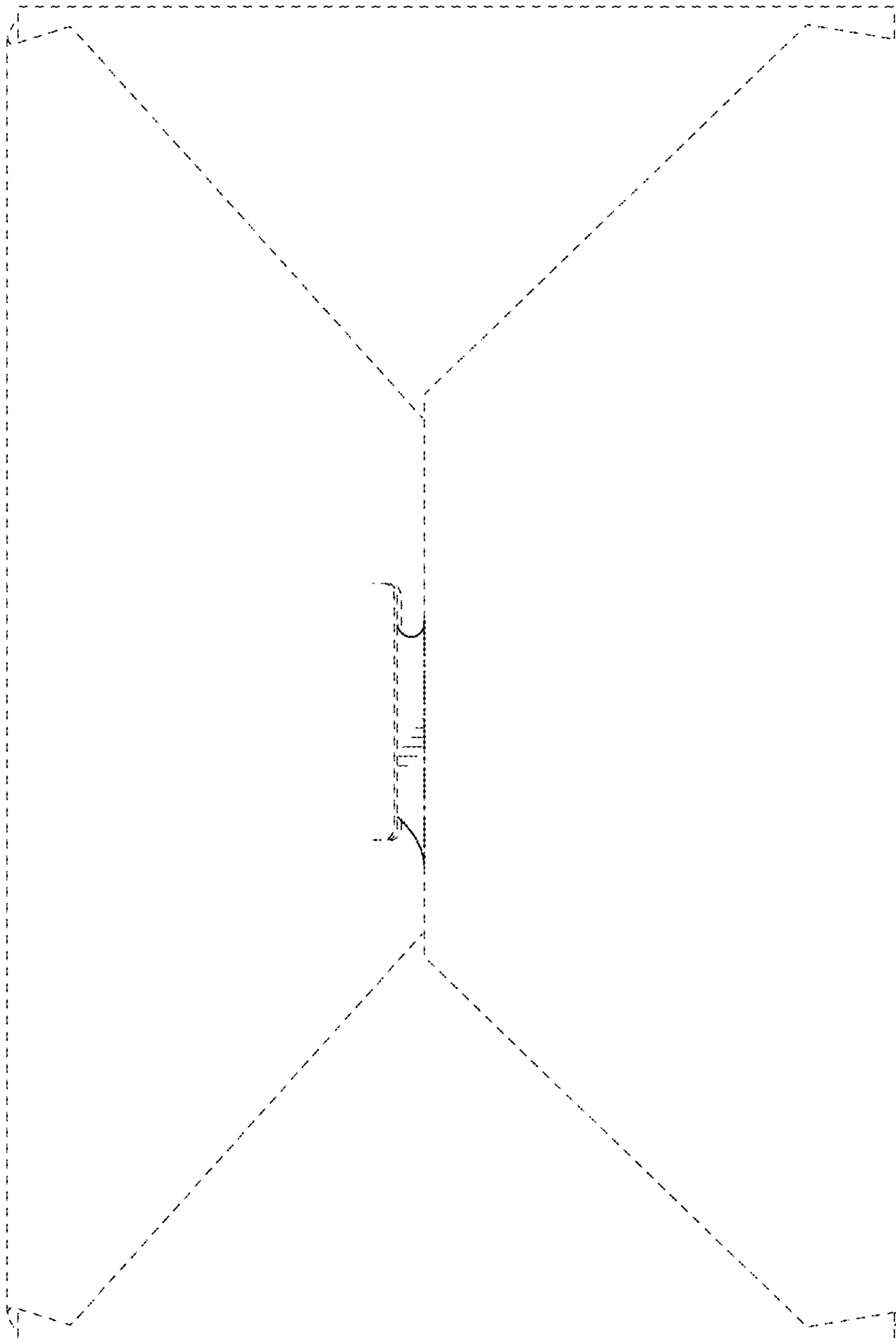


FIG. 4

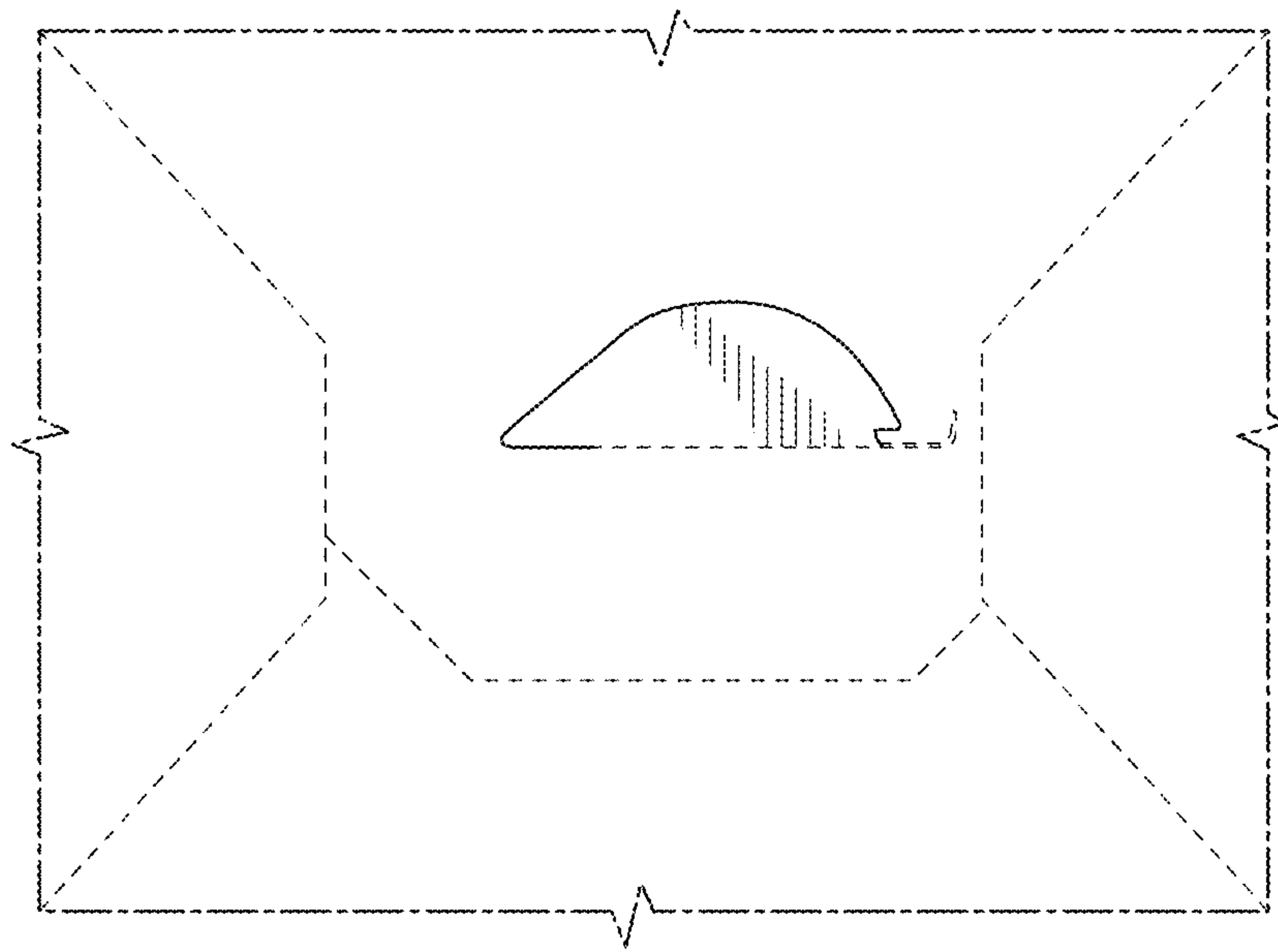


FIG. 5