



US00D777028S

(12) **United States Design Patent**  
**Chen**

(10) **Patent No.:** **US D777,028 S**

(45) **Date of Patent:** **\*\* Jan. 24, 2017**

(54) **DESICCANT CONTAINER**

(71) Applicant: **Chun-Yu Chen**, Taipei (TW)

(72) Inventor: **Chun-Yu Chen**, Taipei (TW)

(\*\*) Term: **15 Years**

(21) Appl. No.: **29/531,184**

(22) Filed: **Jun. 24, 2015**

(51) **LOC (10) Cl.** ..... **09-03**

(52) **U.S. Cl.**  
USPC ..... **D9/420**

(58) **Field of Classification Search**  
USPC ..... D9/420, 734, 449, 757, 425; D24/121;  
D7/510, 511; 206/217  
CPC ..... A61J 1/2093  
See application file for complete search history.

(56) **References Cited**

**U.S. PATENT DOCUMENTS**

D400,005 S *	10/1998	Wolff	.....	D24/121
D540,169 S *	4/2007	Tanner	.....	D9/420
D540,679 S *	4/2007	Tanner	.....	D9/420
D671,426 S *	11/2012	Pickens	.....	D9/734
D677,572 S *	3/2013	Papiernik	.....	D9/420

D696,114 S *	12/2013	Arch	.....	D9/449
8,597,236 B2 *	12/2013	Nassiri	.....	A61J 1/2093 206/217
D729,010 S *	5/2015	Logel	.....	D7/510
D730,123 S *	5/2015	He	.....	D7/511
D731,244 S *	6/2015	Kohl	.....	D7/510
D735,585 S *	8/2015	Tayara	.....	D9/757
D743,784 S *	11/2015	Fife	.....	D9/425

\* cited by examiner

*Primary Examiner* — Rhea Shields

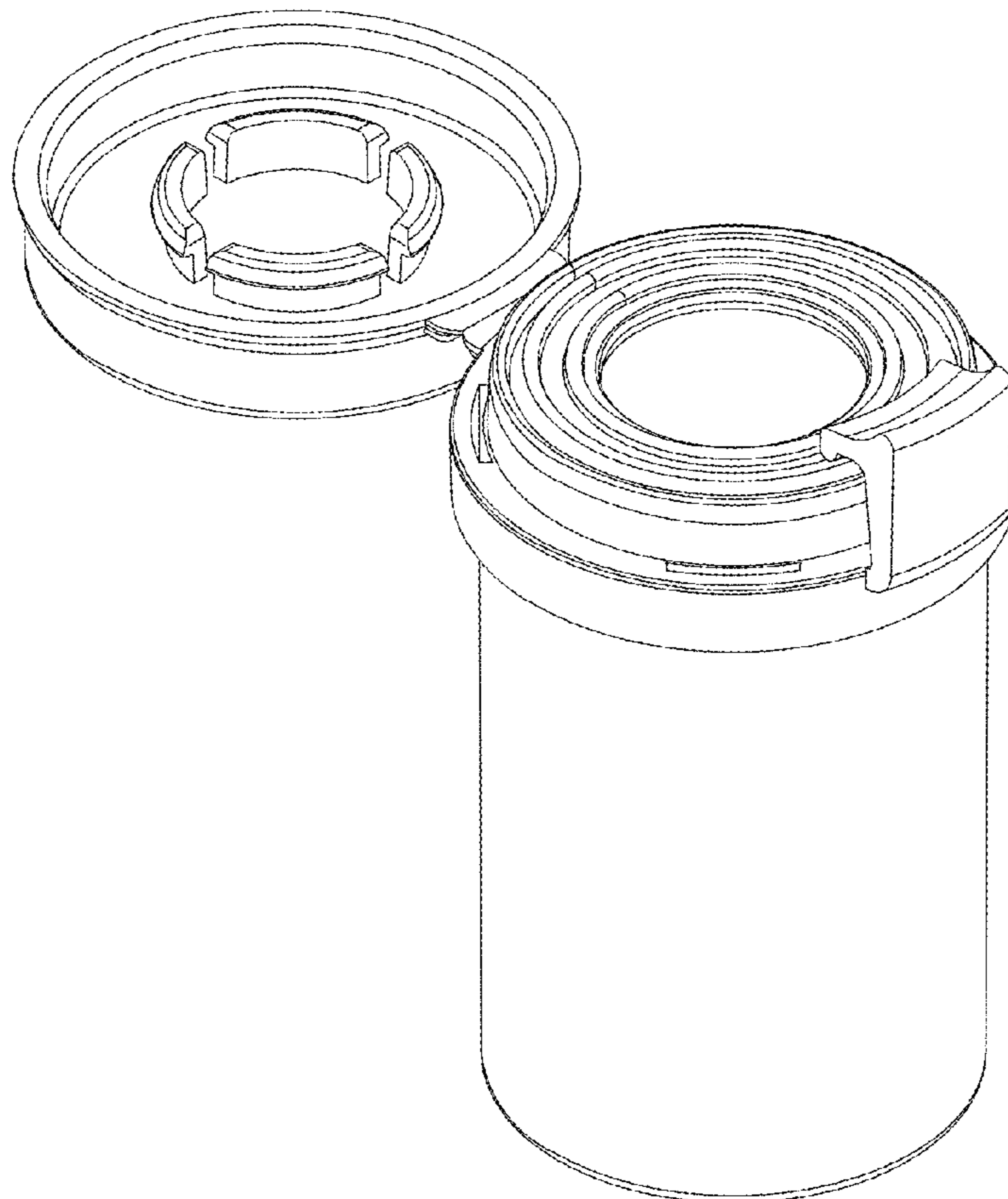
(57) **CLAIM**

The ornamental design for a desiccant container, as show and described.

**DESCRIPTION**

FIG. 1 is a perspective view of a desiccant container showing my new design;  
FIG. 2 is a front elevation view thereof;  
FIG. 3 is a rear elevation view thereof;  
FIG. 4 is a left elevation view thereof;  
FIG. 5 is a right elevation view thereof;  
FIG. 6 is a top plan view thereof; and,  
FIG. 7 is a bottom plan view thereof.  
The broken line portion shown in FIG. 6 is included to show unclaimed subject matter only and forms no part of the claimed design.

**1 Claim, 4 Drawing Sheets**



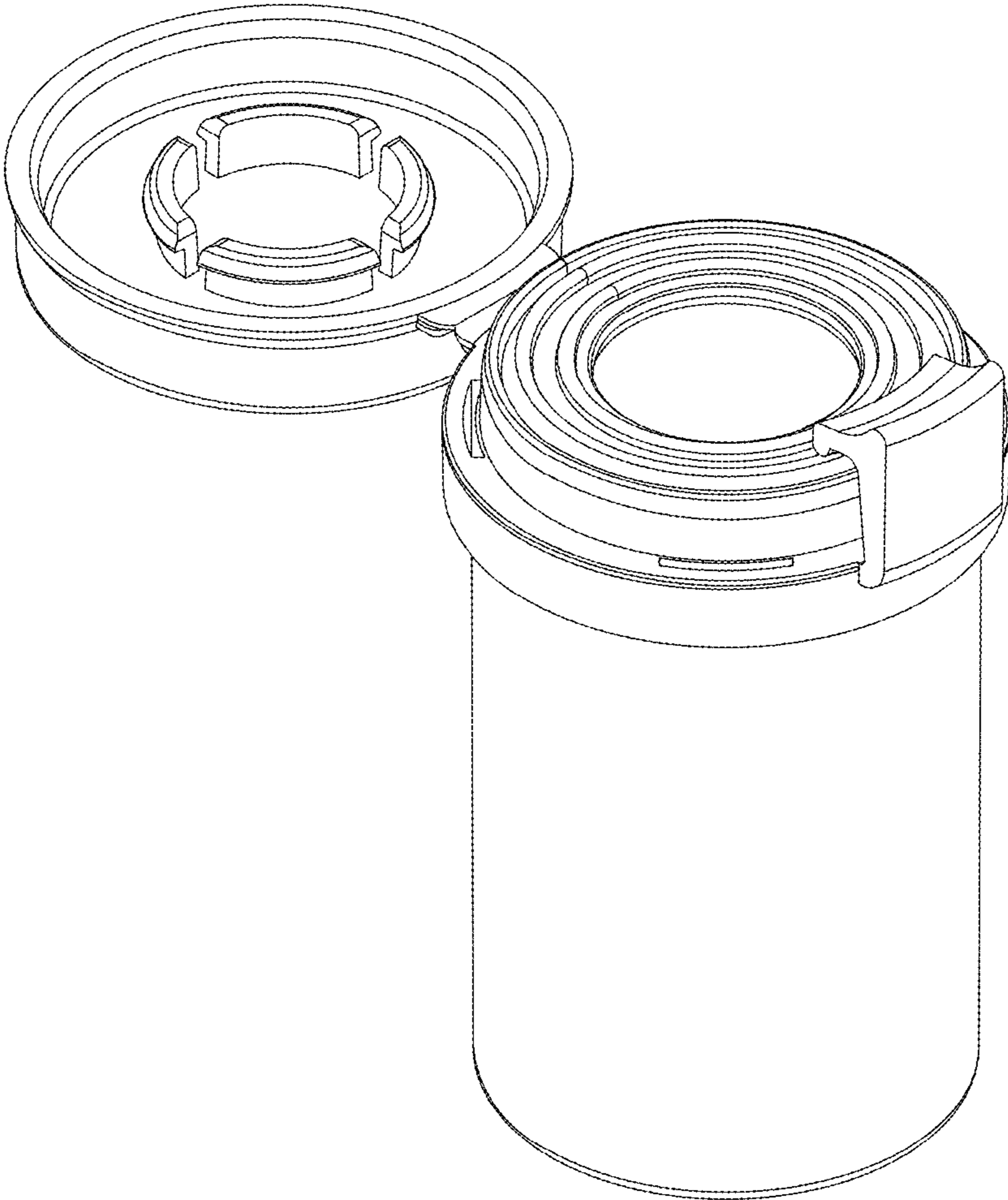


FIG. 1

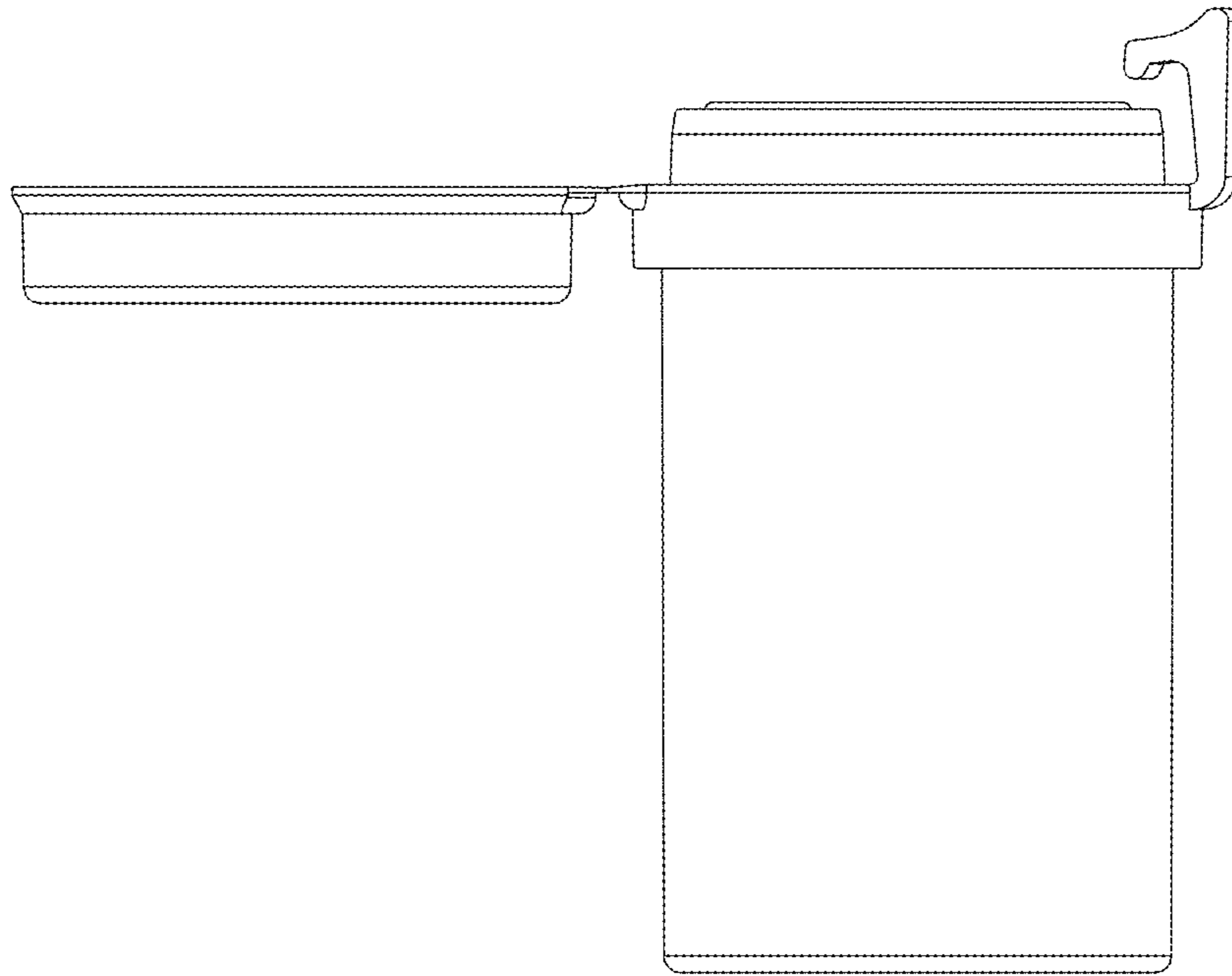


FIG. 2

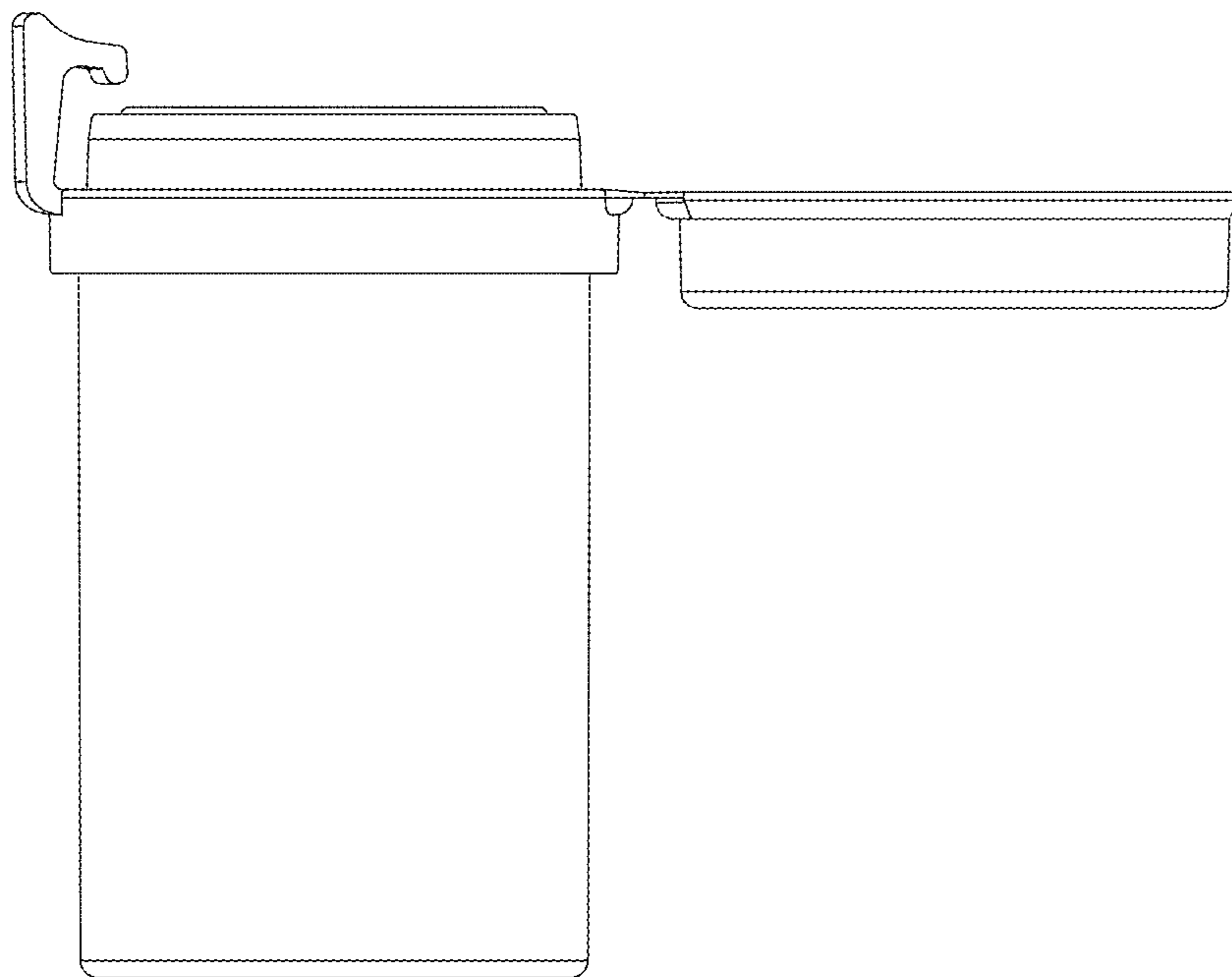


FIG. 3

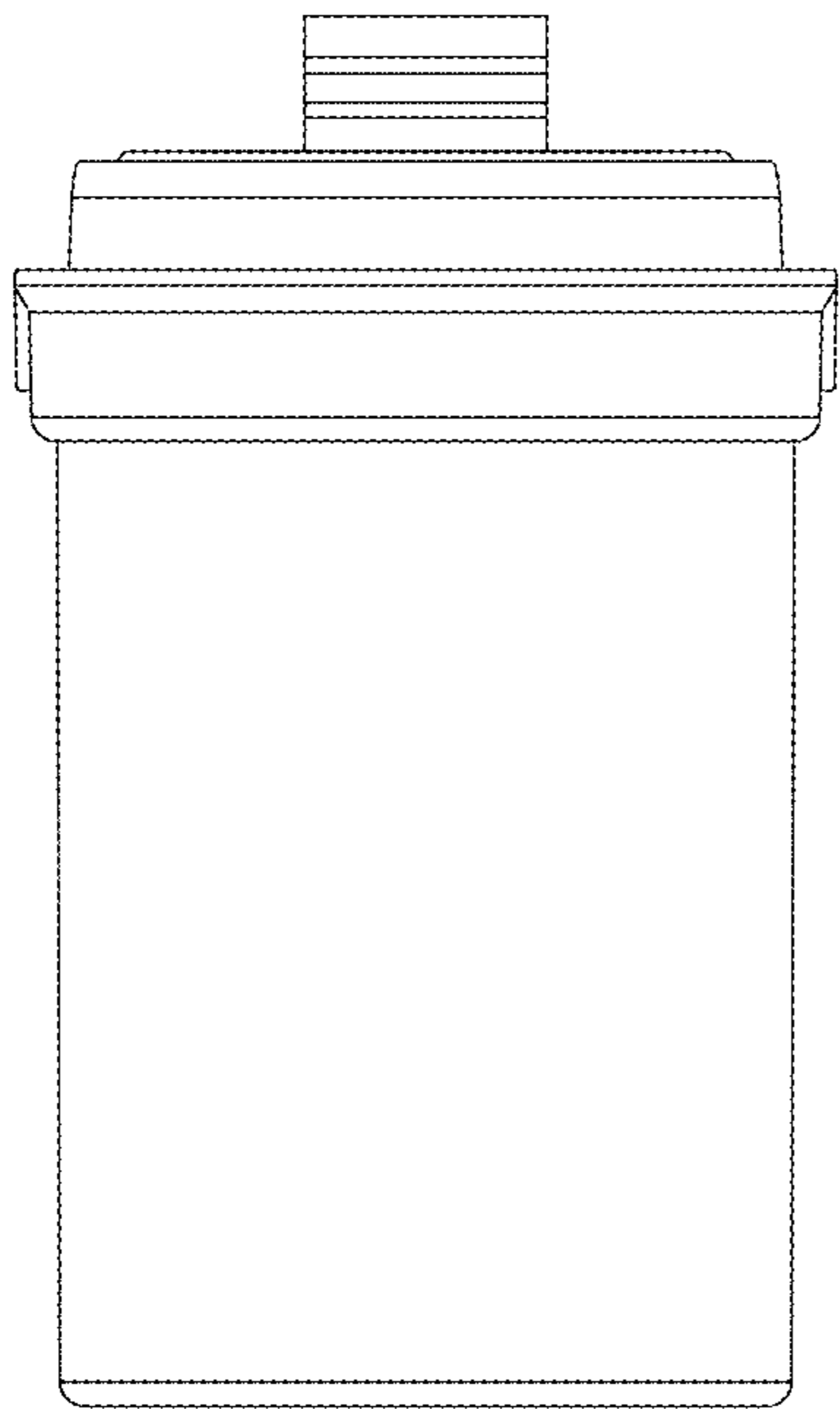


FIG. 4

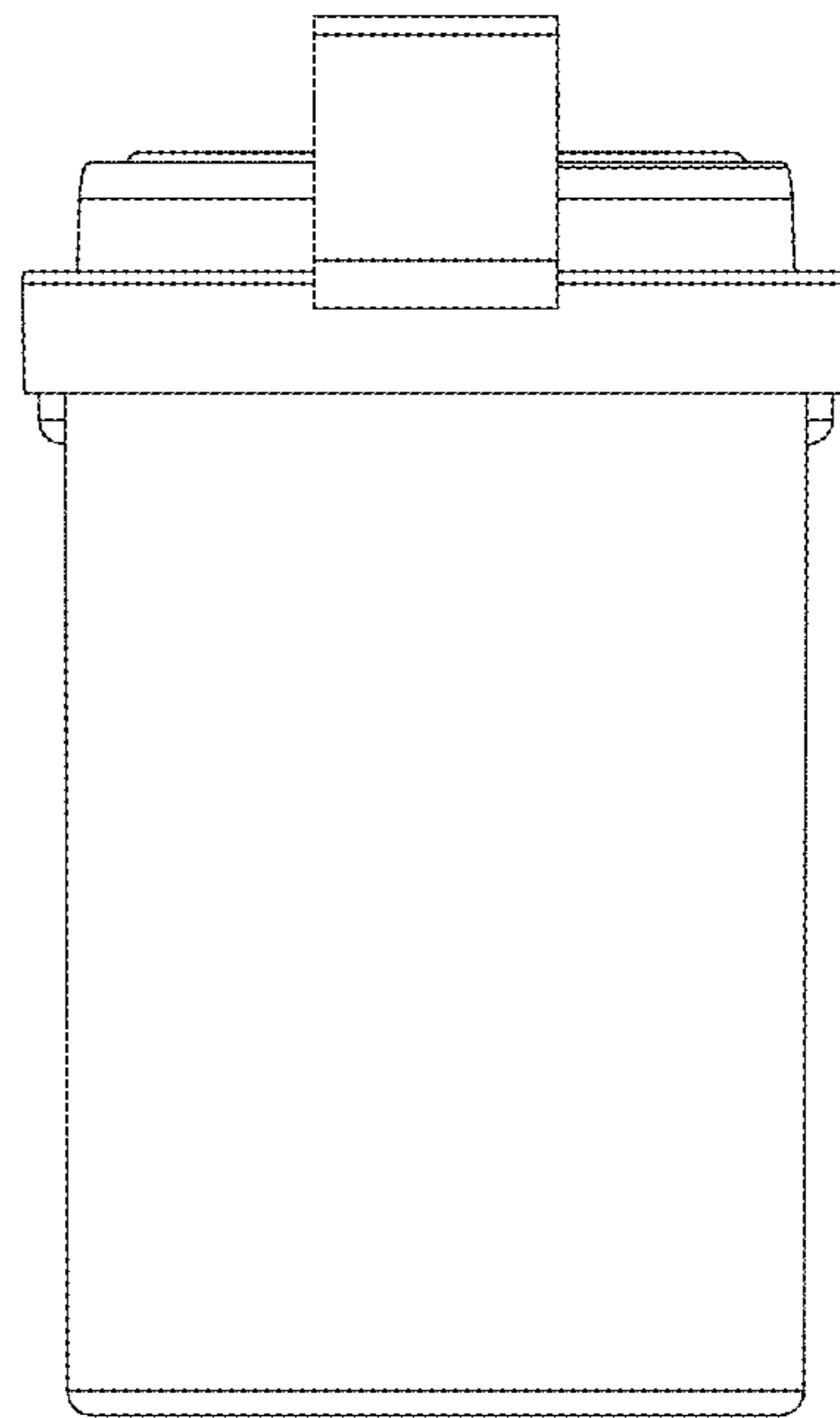


FIG. 5

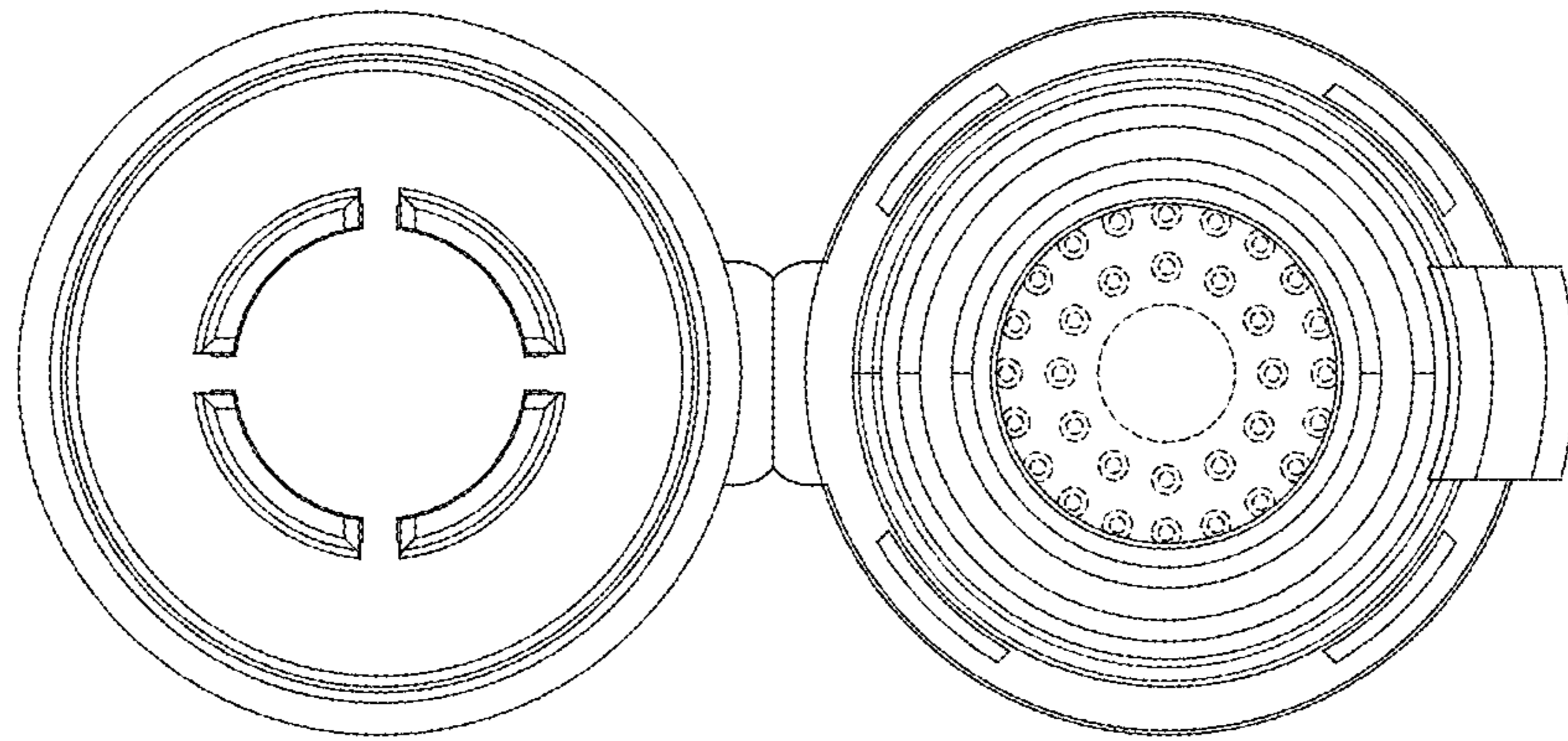


FIG. 6

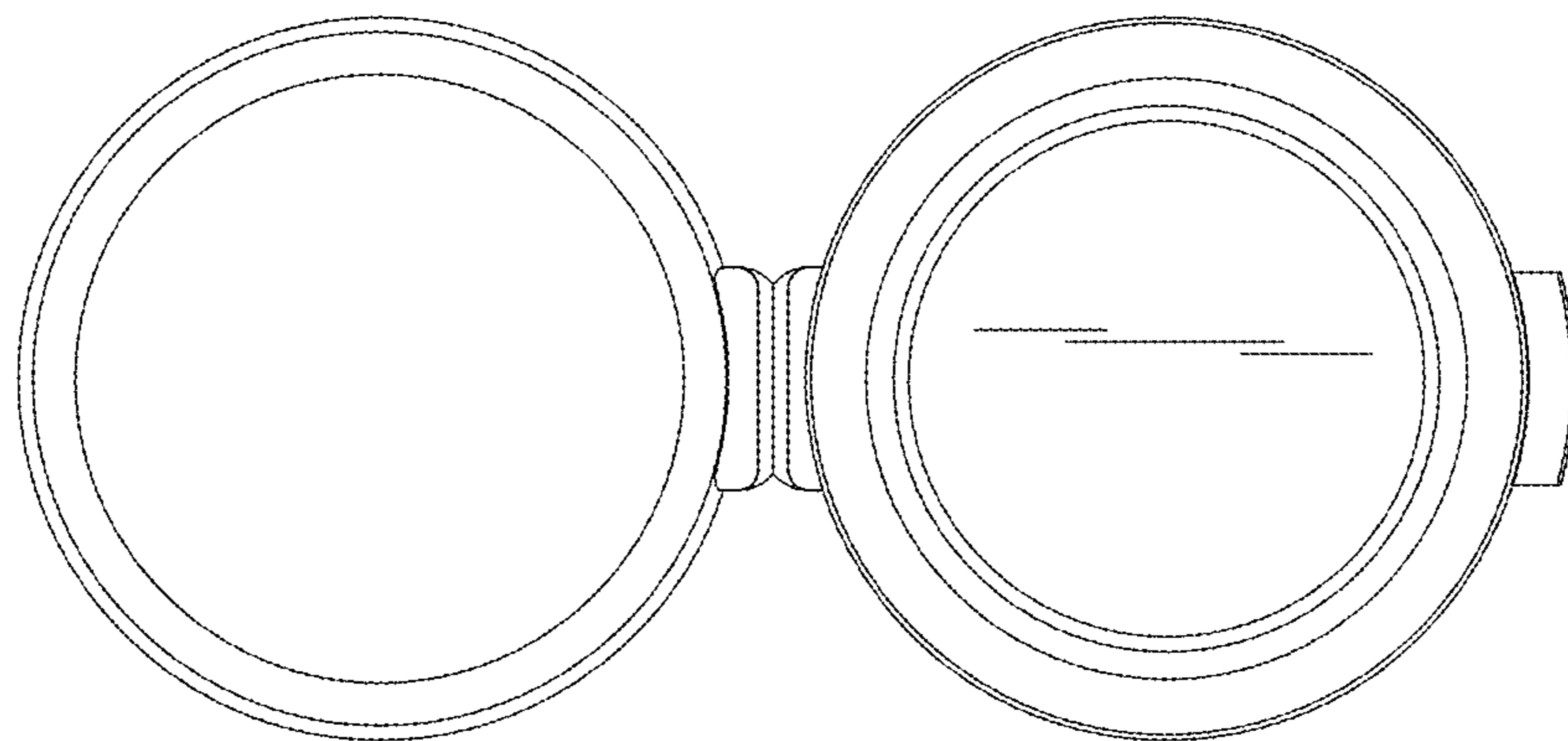


FIG. 7