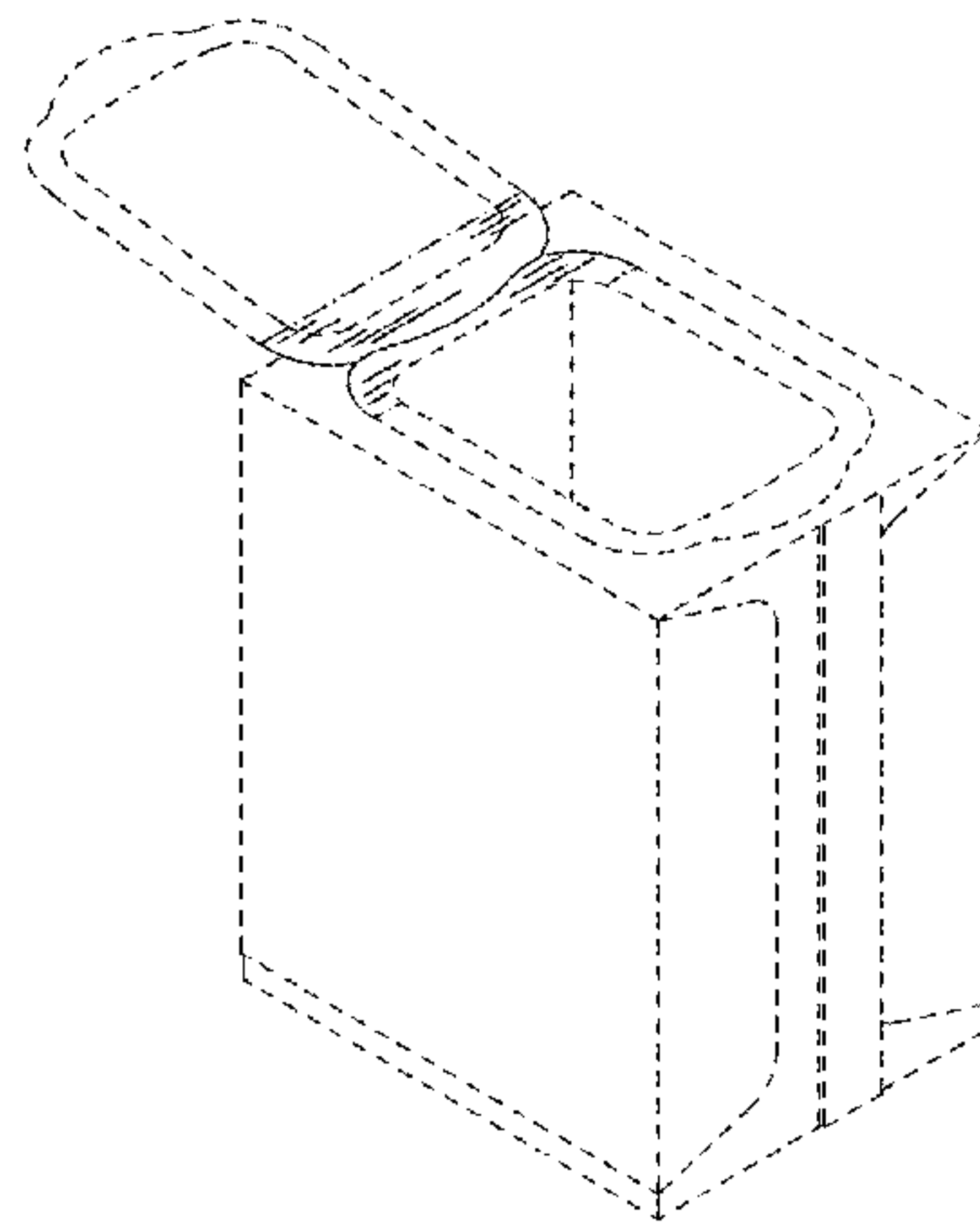




US00D777026S

(12) **United States Design Patent** (10) **Patent No.:** **US D777,026 S**  
**Sanfilippo et al.** (45) **Date of Patent:** **\*\* Jan. 24, 2017**

- (54) **PACKAGE**
- (71) Applicant: **CLEAR LAM PACKAGING, INC.**,  
Elk Grove Village, IL (US)
- (72) Inventors: **James J. Sanfilippo**, Barrington Hills,  
IL (US); **Milorad Radenovic**, Chicago,  
IL (US)
- (73) Assignee: **CLEAR LAM PACKAGING, INC.**,  
Elk Grove Village, IL (US)
- (\*\*) Term: **14 Years**
- (21) Appl. No.: **29/472,436**
- (22) Filed: **Nov. 12, 2013**
- (51) **LOC (10) Cl.** ..... **09-03**
- (52) **U.S. Cl.**  
USPC ..... **D9/416**
- (58) **Field of Classification Search**  
USPC ..... D11/95, 99; D5/20, 63; D9/414, 415,  
D9/423, 424, 425, 432, 433, 434, 435,  
D9/759, 760, 770; D19/1, 27; 206/775,  
206/776, 557, 823; D7/546, 549, 602,  
D7/550.1, 703; 229/87.08, 123.1, 123.3,  
229/221  
CPC ..... B65D 5/4204; B65D 15/08; B65D 1/34;  
B65D 65/22; B65D 2577/205; B65D  
5/706; B65D 5/705; A45D 40/22  
See application file for complete search history.
- (56) **References Cited**  
U.S. PATENT DOCUMENTS
- |             |         |          |       |           |
|-------------|---------|----------|-------|-----------|
| 664,316 A * | 12/1900 | Crump    | ..... | 229/123.3 |
| 2,017,176 A | 10/1935 | Andrews  |       |           |
| 2,041,227 A | 5/1936  | Chalmers |       |           |
| 2,048,122 A | 7/1936  | Howard   |       |           |
| 2,092,858 A | 9/1937  | Richard  |       |           |
| 2,180,841 A | 11/1939 | Vogt     |       |           |
| 2,328,579 A | 9/1943  | Pelosi   |       |           |
| 2,339,156 A | 1/1944  | Duane    |       |           |
| 2,352,766 A | 7/1944  | Bogue    |       |           |
| 2,385,898 A | 10/1945 | Waters   |       |           |
| 2,416,332 A | 2/1947  | Lehman   |       |           |
| 2,508,962 A | 5/1950  | Moore    |       |           |
- |               |         |                   |       |           |
|---------------|---------|-------------------|-------|-----------|
| 2,524,766 A   | 10/1950 | Carroll           |       |           |
| 2,619,226 A   | 11/1952 | Adams             |       |           |
| 2,719,663 A * | 10/1955 | Meyer-Jagenberg   | ..... | 229/123.3 |
| 2,750,093 A   | 6/1956  | Moore             |       |           |
| 2,758,775 A   | 8/1956  | Moore             |       |           |
| 2,819,831 A   | 1/1958  | Polarek et al.    |       |           |
| 2,936,940 A   | 5/1960  | Berghgracht       |       |           |
| 2,970,735 A   | 2/1961  | Jacke             |       |           |
| 3,006,257 A   | 10/1961 | Orsini            |       |           |
| 3,127,082 A   | 3/1964  | Meyer-Jagenberg   |       |           |
| 3,228,584 A   | 1/1966  | Ashton            |       |           |
| 3,259,303 A   | 7/1966  | Repko             |       |           |
| 3,314,591 A   | 4/1967  | Cheeley           |       |           |
| 3,349,959 A   | 10/1967 | Watkins           |       |           |
| 3,373,917 A   | 3/1968  | Cox               |       |           |
| 3,380,646 A   | 4/1968  | Doyen et al.      |       |           |
| 3,426,499 A   | 2/1969  | Paige             |       |           |
| 3,434,652 A   | 3/1969  | Shore             |       |           |
| 3,437,258 A   | 4/1969  | Kugler            |       |           |
| 3,462,067 A   | 8/1969  | Shore             |       |           |
| 3,505,779 A   | 4/1970  | Kopp              |       |           |
| D219,266 S *  | 11/1970 | Biallo            | ..... | D9/423    |
| 3,562,392 A   | 2/1971  | Mylius            |       |           |
| 3,604,491 A   | 9/1971  | Spiess            |       |           |
| 3,738,567 A   | 6/1973  | Ruda              |       |           |
| 3,739,977 A   | 6/1973  | Shapiro et al.    |       |           |
| 3,785,112 A   | 1/1974  | Leasure et al.    |       |           |
| 3,917,158 A   | 11/1975 | Dorofachuk et al. |       |           |
| 3,935,993 A   | 2/1976  | Doyen et al.      |       |           |
| 3,940,054 A   | 2/1976  | Goebel et al.     |       |           |
| 3,968,921 A   | 7/1976  | Jewell            |       |           |
| 3,980,225 A   | 9/1976  | Kan               |       |           |
| 4,041,851 A   | 8/1977  | Jentsch           |       |           |
| 4,101,051 A   | 7/1978  | Reil              |       |           |
| 4,124,159 A * | 11/1978 | Schwarzkopf       | ..... | 229/248   |
| 4,129,976 A   | 12/1978 | Grundler et al.   |       |           |
| 4,197,949 A   | 4/1980  | Carlsson          |       |           |
| 4,308,679 A   | 1/1982  | Ray, III et al.   |       |           |
| D265,777 S    | 8/1982  | Elzea et al.      |       |           |
| 4,345,393 A   | 8/1982  | Price et al.      |       |           |
| D266,049 S    | 9/1982  | Conti             |       |           |
| 4,353,497 A   | 10/1982 | Bustin            |       |           |
| D268,481 S *  | 4/1983  | Van Inwagen       | ..... | D9/433    |
| 4,512,476 A   | 4/1985  | Herrington, Jr.   |       |           |
| 4,531,668 A   | 7/1985  | Forbes, Jr.       |       |           |
| 4,576,309 A   | 3/1986  | Tzifkansky et al. |       |           |
| D285,777 S    | 9/1986  | Forbes, Jr.       |       |           |
| D286,745 S    | 11/1986 | Forbes, Jr.       |       |           |
| 4,687,104 A   | 8/1987  | Ielmini           |       |           |
| 4,738,365 A   | 4/1988  | Prater            |       |           |
| 4,746,019 A   | 5/1988  | Prater            |       |           |
| D297,214 S    | 8/1988  | Forbes, Jr.       |       |           |
| 4,790,436 A   | 12/1988 | Nakamura          |       |           |



(56)

References Cited

U.S. PATENT DOCUMENTS

4,798,295	A	1/1989	Rausing	6,446,796	B1	9/2002	Schmidt
4,837,849	A	6/1989	Erickson et al.	D464,884	S	10/2002	Sumpmann et al.
4,848,575	A	7/1989	Nakamura et al.	D464,894	S	10/2002	Mittersinker et al.
4,851,246	A	7/1989	Maxwell et al.	6,481,183	B1	11/2002	Schmidt
D304,016	S	10/1989	Forbes, Jr.	D466,807	S	12/2002	Buck et al.
D315,099	S	3/1991	Alizard	6,510,673	B1	1/2003	Visona' et al.
5,036,997	A	8/1991	May et al.	6,513,308	B1	2/2003	Meeuwesen et al.
5,044,777	A	9/1991	Watkins et al.	D471,804	S	3/2003	Staples
5,059,036	A	10/1991	Richison et al.	D473,461	S	4/2003	Joubert
5,065,887	A	11/1991	Schuh et al.	6,615,567	B2	9/2003	Kuhn et al.
5,158,371	A	10/1992	Moravek	6,659,645	B1	12/2003	Schulz
D332,399	S	1/1993	Neff	D485,461	S	1/2004	Sams et al.
5,195,829	A	3/1993	Watkins et al.	6,679,034	B2	1/2004	Kohl et al.
5,205,651	A	4/1993	Decottignies et al.	6,695,757	B2	2/2004	Edwards et al.
5,254,073	A	10/1993	Richison et al.	D487,192	S	3/2004	Farnham et al.
D351,090	S	10/1994	Narsutis	D489,530	S	5/2004	Lindsay
5,353,946	A	10/1994	Behrend	6,729,112	B2	5/2004	Kuss et al.
5,356,069	A	10/1994	Bochet et al.	6,736,309	B1	5/2004	Westerman et al.
5,366,104	A	11/1994	Armstrong	6,746,388	B2	6/2004	Edwards et al.
D354,436	S	1/1995	Krupa	6,761,279	B1	7/2004	Martin et al.
D364,563	S	11/1995	Miller et al.	6,783,277	B2	8/2004	Edwards et al.
5,498,080	A	3/1996	Dalea et al.	6,817,160	B2	11/2004	Schmidt
5,505,305	A	4/1996	Scholz et al.	D501,134	S	1/2005	Takahashi et al.
5,542,902	A	8/1996	Richison et al.	6,845,602	B2	1/2005	Drut
5,556,026	A	9/1996	Blankitny	D502,095	S	2/2005	Tucker et al.
D374,774	S	10/1996	Cassel	D503,336	S	3/2005	Tucker et al.
5,577,612	A	11/1996	Chesson et al.	D504,622	S	5/2005	Takahashi et al.
5,611,452	A	3/1997	Bonora et al.	6,918,532	B2	7/2005	Sierra-Gomez et al.
5,613,608	A	3/1997	Tronchetti et al.	6,953,069	B2	10/2005	Galomb
5,655,706	A	8/1997	Vandiver	D513,870	S	1/2006	Rosine et al.
D386,001	S	11/1997	Saffran	D514,439	S	2/2006	Snedden et al.
5,704,480	A	1/1998	Scholz et al.	D528,010	S	9/2006	Yashima et al.
D394,383	S	* 5/1998	Bradfield ..... D9/416	D531,894	S	11/2006	Ramirez et al.
D394,606	S	5/1998	Zorn et al.	7,153,026	B2	12/2006	Galomb
5,770,839	A	6/1998	Ruebush et al.	7,156,556	B2	1/2007	Takahashi et al.
5,772,332	A	6/1998	Geller	D536,608	S	2/2007	Arkins
D395,952	S	7/1998	Buczynski et al.	7,213,710	B2	5/2007	Cotert
5,785,179	A	7/1998	Buczynski et al.	D544,762	S	6/2007	Zimmerman
5,788,121	A	8/1998	Sasaki et al.	D545,186	S	6/2007	Liebe et al.
5,788,378	A	8/1998	Thomas	D548,080	S	8/2007	Brown et al.
5,791,465	A	8/1998	Niki et al.	D551,508	S	9/2007	Friedland et al.
D398,526	S	9/1998	Schwarz et al.	D552,468	S	10/2007	Seum et al.
D398,844	S	9/1998	Oberloier	7,299,608	B2	11/2007	Kohl et al.
5,799,863	A	9/1998	Capy et al.	D563,219	S	* 3/2008	Okin et al. .... D9/423
5,826,401	A	10/1998	Bois	D569,719	S	5/2008	Ross
5,842,790	A	12/1998	Imer	D571,146	S	6/2008	Sanfilippo et al.
5,862,652	A	1/1999	Schoeler	D571,197	S	6/2008	Sanfilippo et al.
D409,484	S	5/1999	Tasker	D591,555	S	5/2009	Sanfilippo et al.
D412,439	S	8/1999	Cormack	D593,369	S	6/2009	Green et al.
6,005,234	A	12/1999	Moseley et al.	D608,193	S	1/2010	Sanfilippo et al.
6,021,624	A	2/2000	Richison et al.	7,665,629	B2	2/2010	Julius et al.
6,026,953	A	2/2000	Nakamura et al.	7,665,895	B2	2/2010	Takita et al.
D421,901	S	3/2000	Hill	7,780,006	B2	8/2010	Clark, Jr. et al.
D421,902	S	3/2000	Hill	D629,296	S	12/2010	De Muynck
6,036,365	A	3/2000	Imer	D637,577	S	5/2011	Han et al.
D427,056	S	6/2000	Irace et al.	7,993,256	B2	8/2011	Takita et al.
6,113,271	A	9/2000	Scott et al.	8,006,833	B2	8/2011	Clark, Jr. et al.
6,120,183	A	9/2000	Buchanan et al.	8,038,349	B2	10/2011	Andersson et al.
D431,464	S	10/2000	Collins et al.	D648,302	S	11/2011	Park et al.
6,137,098	A	10/2000	Moseley et al.	8,066,137	B2	11/2011	Sanfilippo et al.
6,149,304	A	11/2000	Hamilton et al.	D651,077	S	* 12/2011	Frias ..... D9/434
D437,686	S	2/2001	Balzar et al.	8,132,395	B2	3/2012	Gehring et al.
6,182,887	B1	2/2001	Ljunstrom et al.	8,231,024	B2	7/2012	Sanfilippo et al.
6,229,061	B1	5/2001	Dragoo et al.	8,276,353	B2	10/2012	Reaves et al.
6,231,237	B1	5/2001	Geller	8,308,363	B2	11/2012	Vogt et al.
6,261,215	B1	7/2001	Imer	D676,014	S	2/2013	Chung
D446,014	S	8/2001	Adkins	D682,244	S	5/2013	Park et al.
6,273,610	B1	8/2001	Koyama et al.	D686,181	S	7/2013	Jeong
6,274,181	B1	8/2001	Richison et al.	D689,767	S	9/2013	Clark et al.
D450,960	S	11/2001	Boyea et al.	D696,107	S	12/2013	Kimple et al.
D452,374	S	12/2001	Kim	8,602,242	B2	12/2013	Sanfilippo et al.
6,325,239	B2	12/2001	Randall et al.	8,602,244	B2	12/2013	Sanfilippo et al.
6,423,356	B2	7/2002	Richison et al.	D715,643	S	* 10/2014	Sanfilippo et al. .... D9/434
D461,403	S	8/2002	Chomik et al.	D721,575	S	* 1/2015	Paboojian ..... D9/423
D463,276	S	9/2002	Piscopo et al.	D725,467	S	* 3/2015	Sanfilippo et al. .... D9/434
				2001/0005979	A1	7/2001	Kuss et al.
				2001/0040107	A1	11/2001	Tourre et al.
				2002/0094922	A1	7/2002	Edwards et al.
				2003/0041564	A1	3/2003	Schmidt



(56)

**References Cited**

U.S. PATENT DOCUMENTS

2003/0059130	A1	3/2003	Yoneyama et al.	
2003/0085265	A1*	5/2003	Haim .....	229/123.1
2003/0100424	A1	5/2003	Barmore et al.	
2003/0111523	A1	6/2003	Haugan	
2003/0230504	A1	12/2003	Hamming	
2004/0089578	A1	5/2004	Lin	
2004/0099570	A1	5/2004	Cargile	
2004/0185156	A1	9/2004	Garwood	
2004/0188457	A1	9/2004	Galomb	
2004/0226625	A1	11/2004	Galomb	
2004/0232029	A1	11/2004	Cotert	
2004/0251163	A1	12/2004	Conde et al.	
2005/0011906	A1	1/2005	Buck et al.	
2005/0053315	A1	3/2005	Aasen	
2005/0069230	A1	3/2005	Takahashi et al.	
2005/0109827	A1	5/2005	Martin	
2005/0150785	A1	7/2005	Julius et al.	
2005/0189367	A1	9/2005	Chasid et al.	
2005/0208188	A1	9/2005	Garwood	
2005/0276525	A1	12/2005	Hebert et al.	
2006/0076352	A1	4/2006	Peterson et al.	
2006/0283750	A1	12/2006	Villars et al.	
2007/0151887	A1	7/2007	Clark et al.	
2009/0039078	A1	2/2009	Sanfilippo et al.	
2009/0120828	A1	5/2009	Sanfilippo et al.	
2009/0152290	A1	6/2009	Wang et al.	
2010/0113240	A1	5/2010	Takita et al.	
2010/0140129	A1	6/2010	Sanfilippo et al.	
2011/0297690	A1	12/2011	Teys et al.	
2012/0125937	A1	5/2012	Ahlstrom et al.	
2014/0083897	A1	3/2014	Sanfilippo et al.	
2014/0102936	A1	4/2014	Sanfilippo et al.	
2014/0109522	A1	4/2014	Sanfilippo et al.	
2015/0001234	A1*	1/2015	Sanfilippo et al. ....	220/834

FOREIGN PATENT DOCUMENTS

EP	1106508	A1	6/2001
EP	1508531	A1	2/2005
FR	2766794	A1	2/1999
JP	10-203560		8/1998
WO	WO-86/06344	A1	11/1986
WO	WO-00/12407	A1	3/2000
WO	WO-02/085726	A1	10/2002
WO	WO-2004110885	A1	12/2004

OTHER PUBLICATIONS

Reynolds, "Doritos Gamer Packs function on multiple levels", Packaging World (Nov. 14, 2013).  
 Color photographs of Frito-Lay Doritos "Gamer Pack" package (circa 2013).

\* cited by examiner

*Primary Examiner* — Robert M Spear  
*Assistant Examiner* — Marissa J Cash  
 (74) *Attorney, Agent, or Firm* — Marshall, Gerstein & Borun LLP

(57)

**CLAIM**

The ornamental design for a package, as shown and described.

**DESCRIPTION**

FIG. 1 is a front, back-side, and top isometric view of a package that has the design, showing the lid in an open position.  
 FIG. 2 is a top plan view of the package showing the lid in the open position.  
 FIG. 3 is a front, back-side, and top plan view of the package showing the lid in a closed position.  
 FIG. 4 is a top plan view of the package showing the lid in a closed.  
 FIG. 5 is a front elevation view of the package. The rear elevation is the same.  
 FIG. 6 is a side elevation view of the package. The opposite side elevation view is a minor image of this view.  
 FIG. 7 is a bottom plan view of the package.  
 FIG. 8 is a front, back-side, and top isometric view of a package that has a second embodiment of the design, showing the lid in an open position.  
 FIG. 9 is a front elevation view of the package showing the lid in the open position.  
 FIG. 10 is a front, back-side, and top isometric view of the package that has the second embodiment of the design, showing the lid in a closed position.  
 FIG. 11 is a front elevation view of the package showing the lid in the closed position.  
 FIG. 12 is a rear elevation view of the package.  
 FIG. 13 is a top plan view of the package. The bottom plan view is the same; and,  
 FIG. 14 is a side elevation view of the package. The opposite side elevation view is a minor image of this view.  
 The dashed lines show elements of the package that form no part of the claimed design. The dash-dot lines show the boundary of the claimed design, and form no part of the claimed design.

**1 Claim, 11 Drawing Sheets**

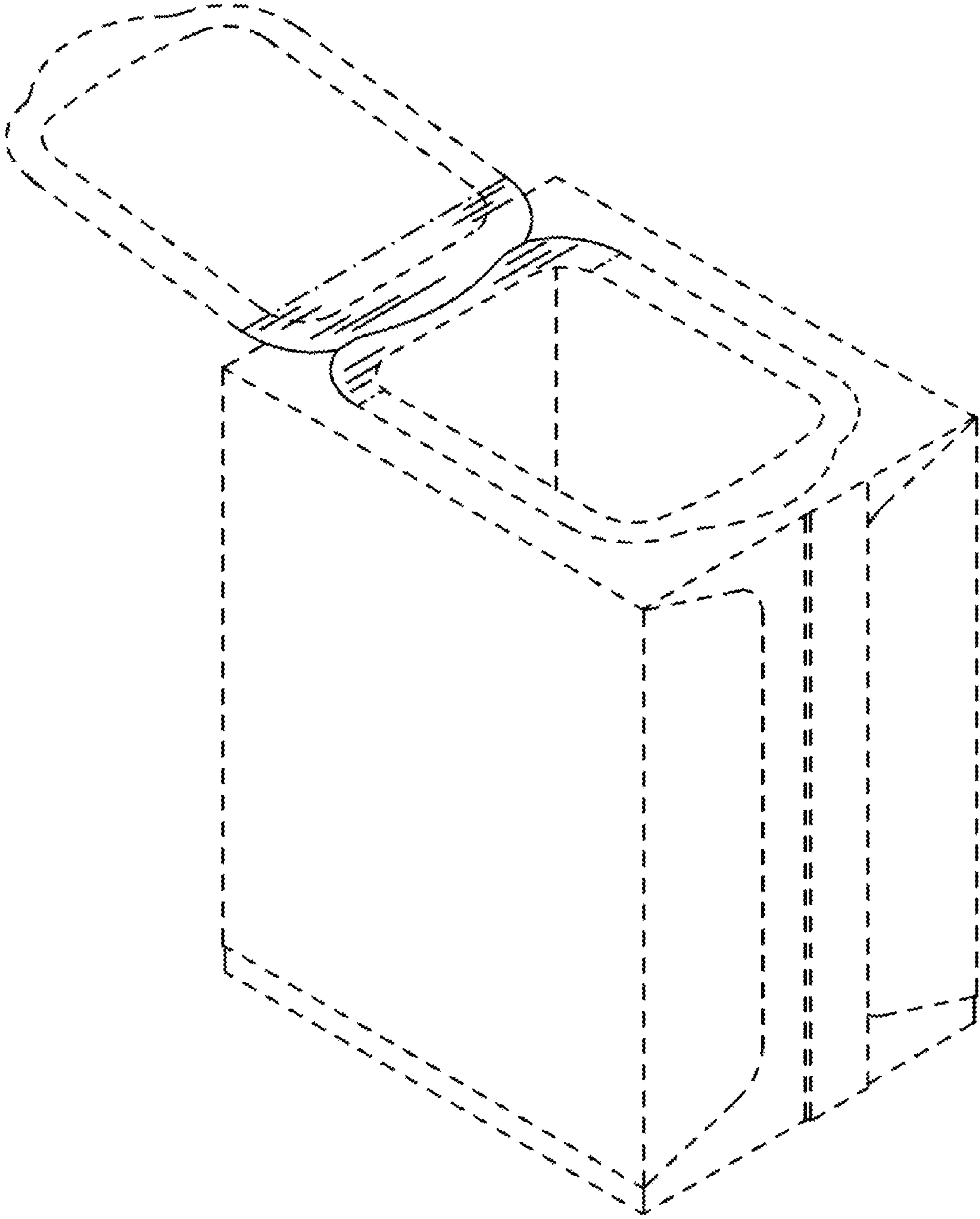


Fig. 1

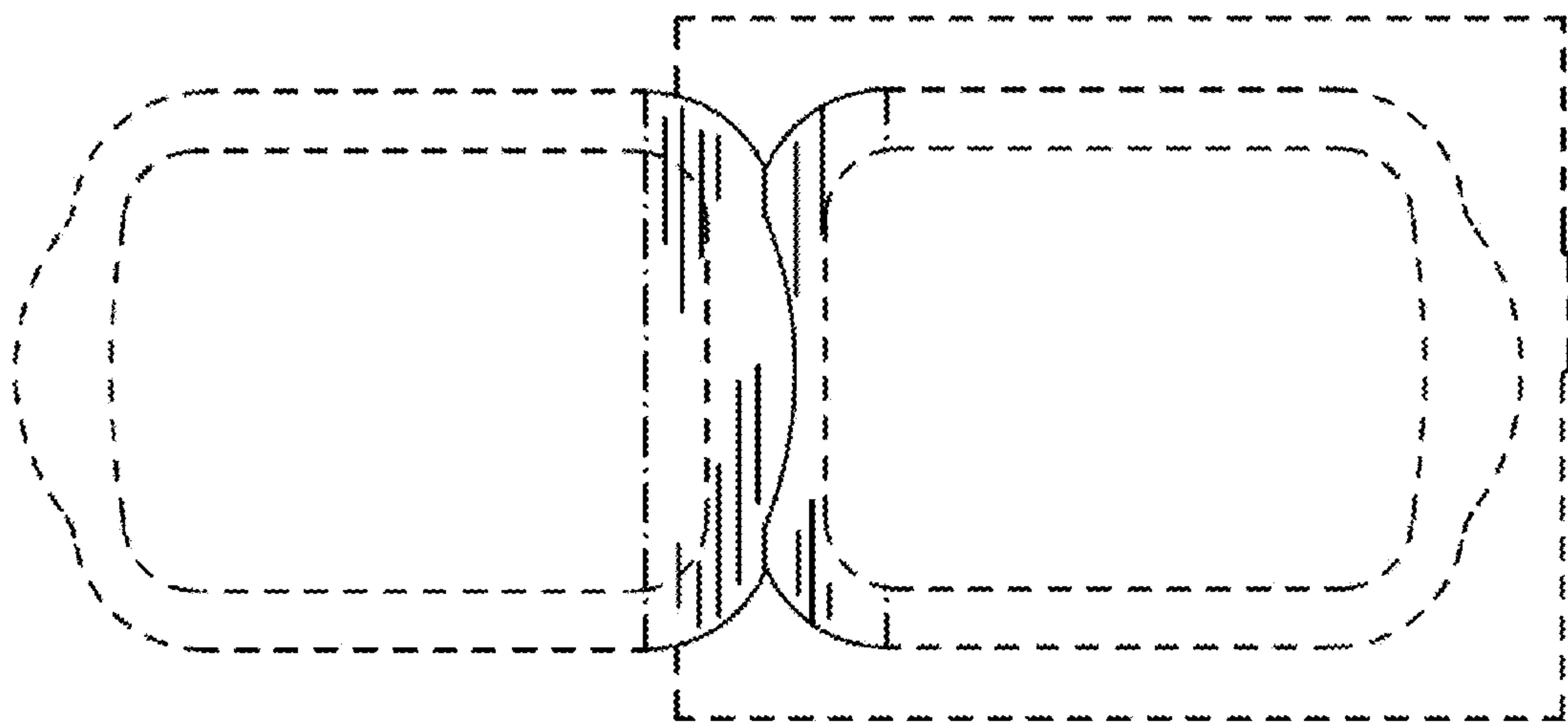


Fig. 2

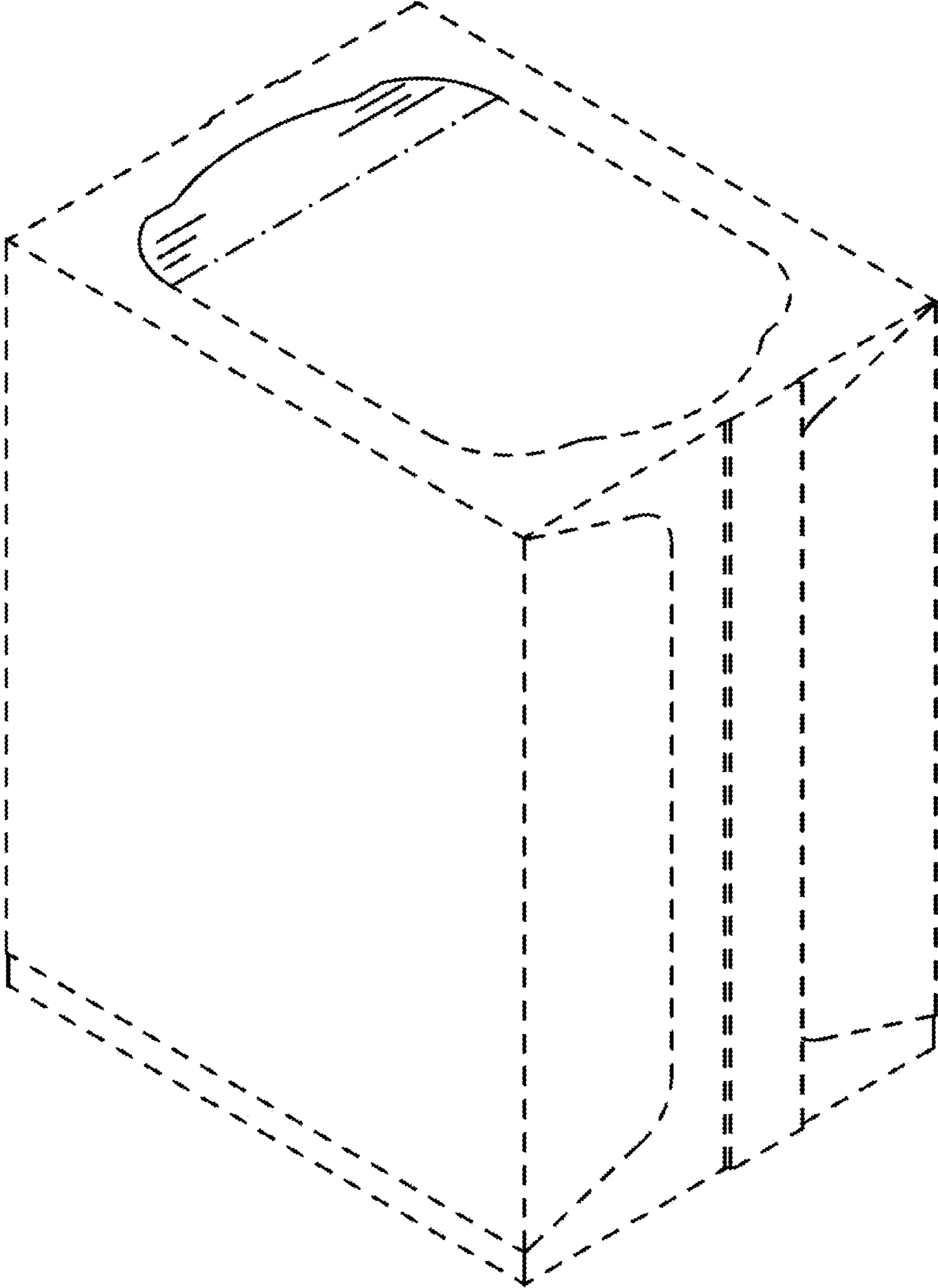


Fig. 3

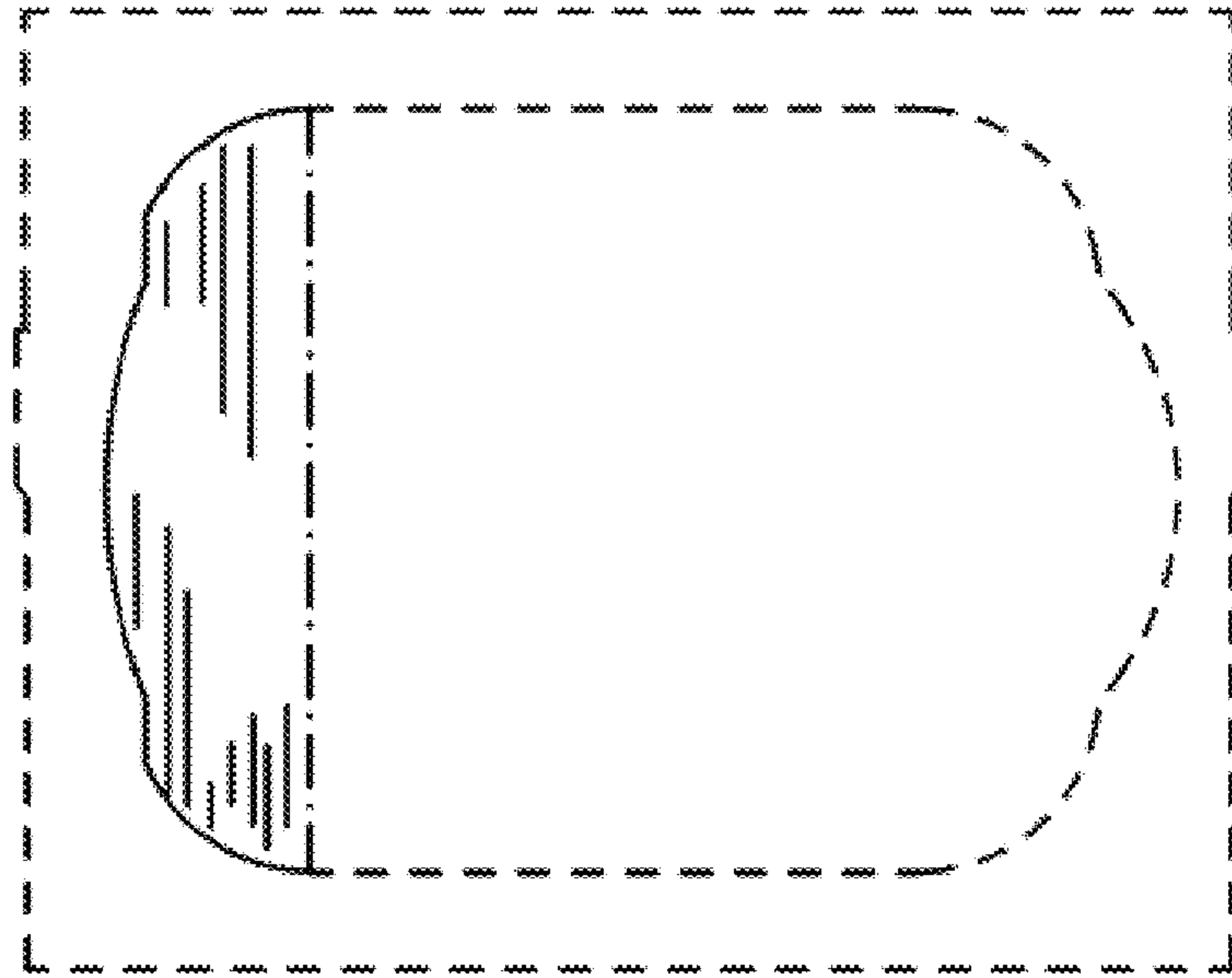


Fig. 4

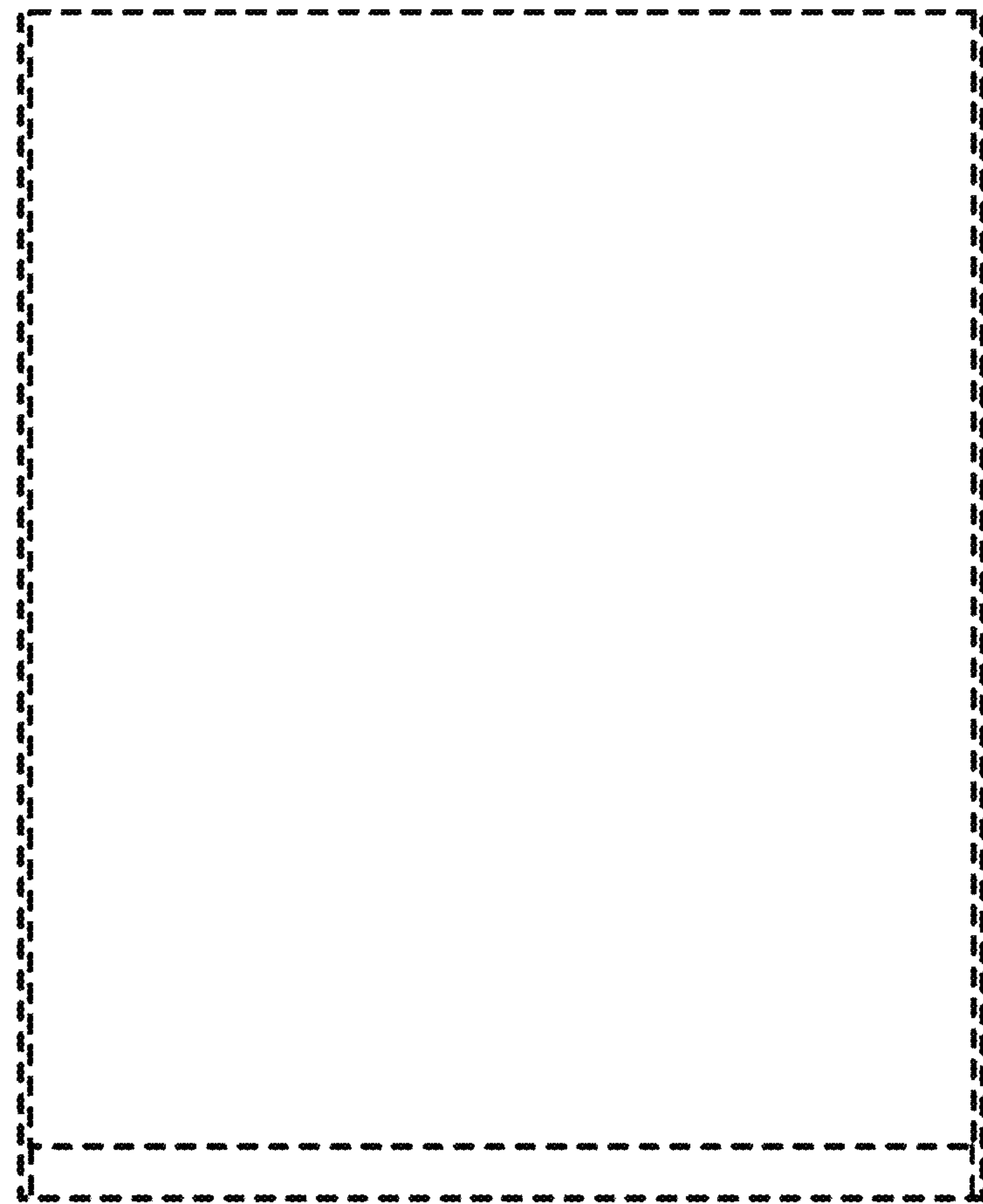


Fig. 5

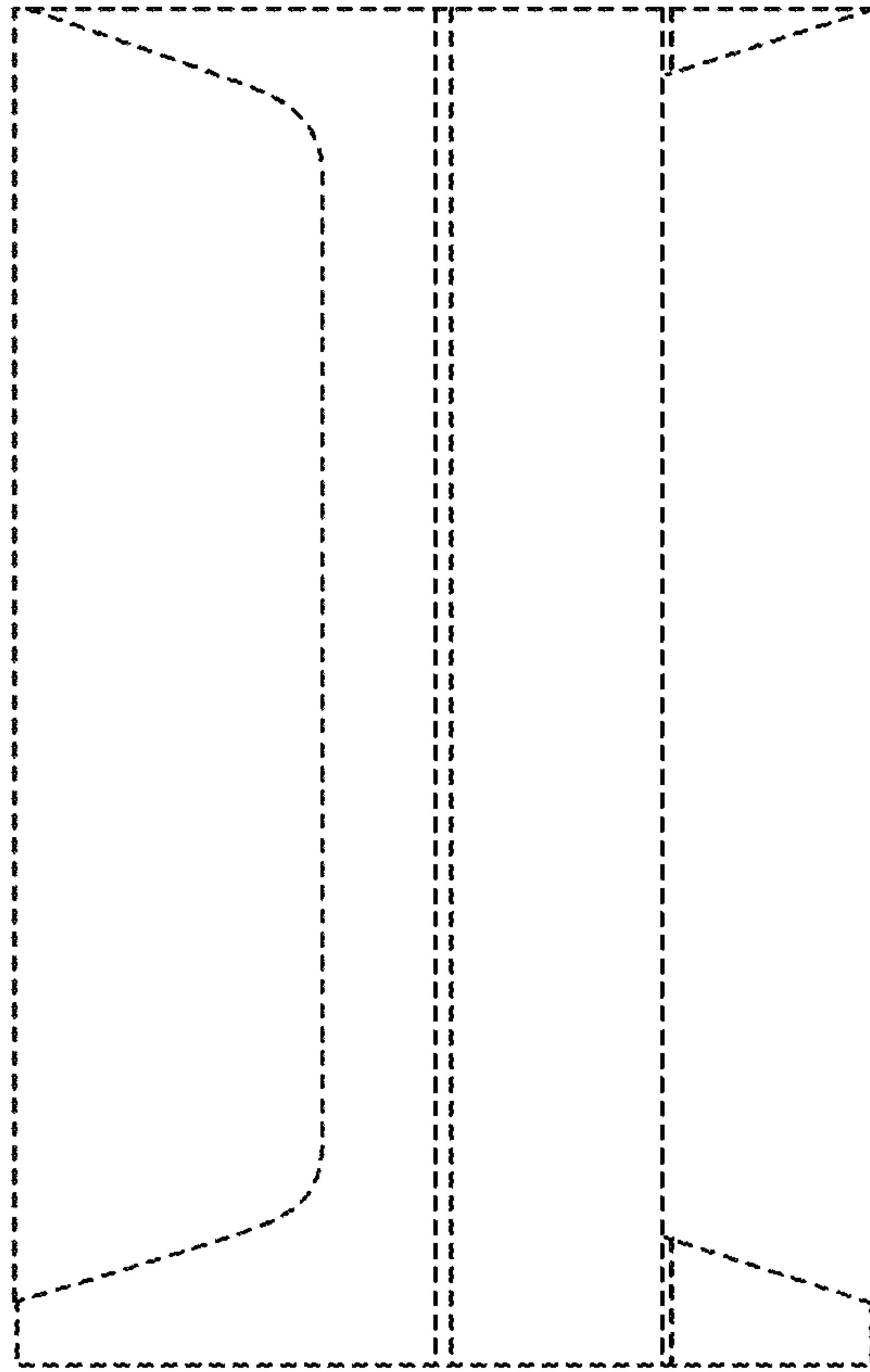


Fig. 6



Fig. 7



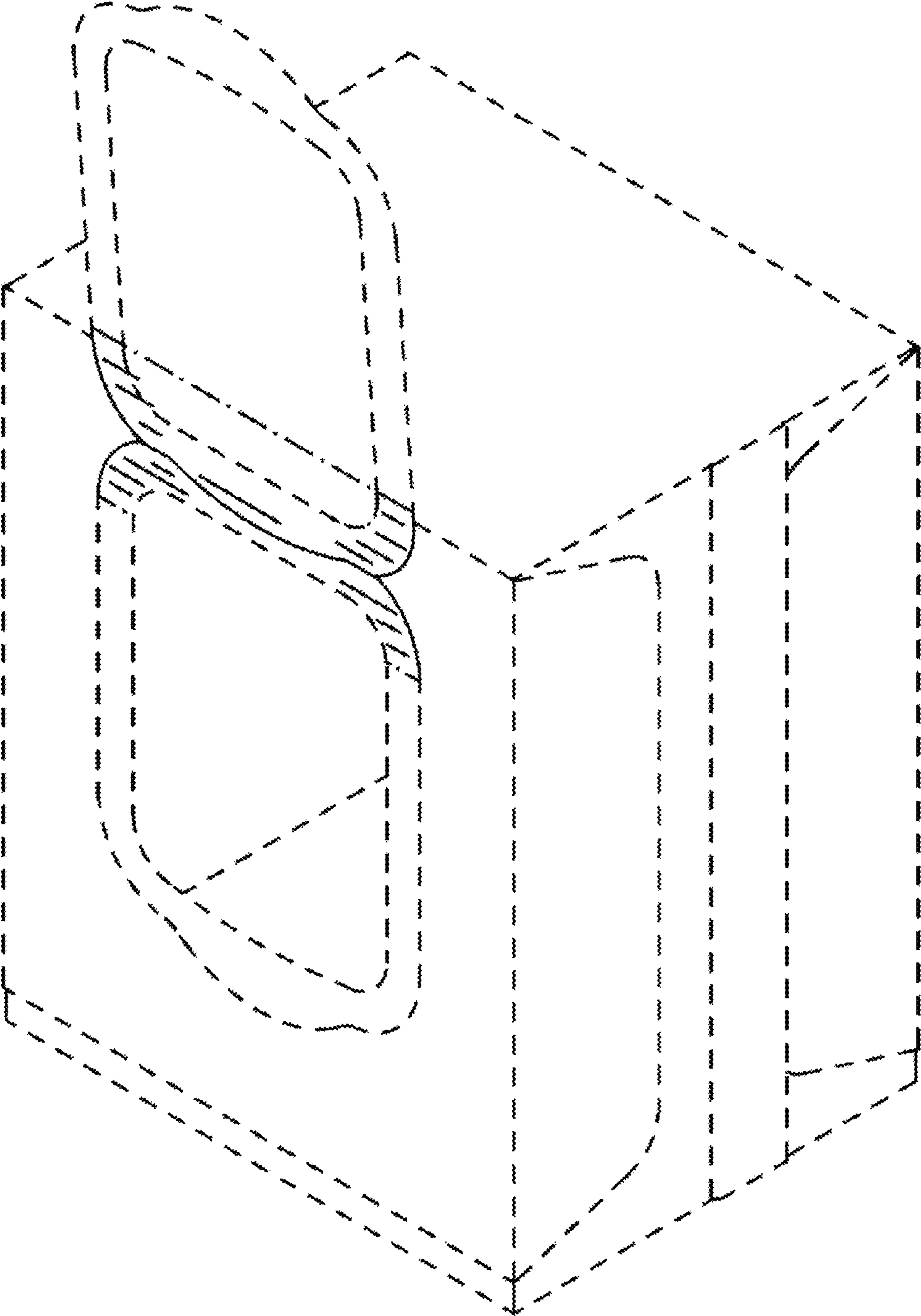


Fig. 8

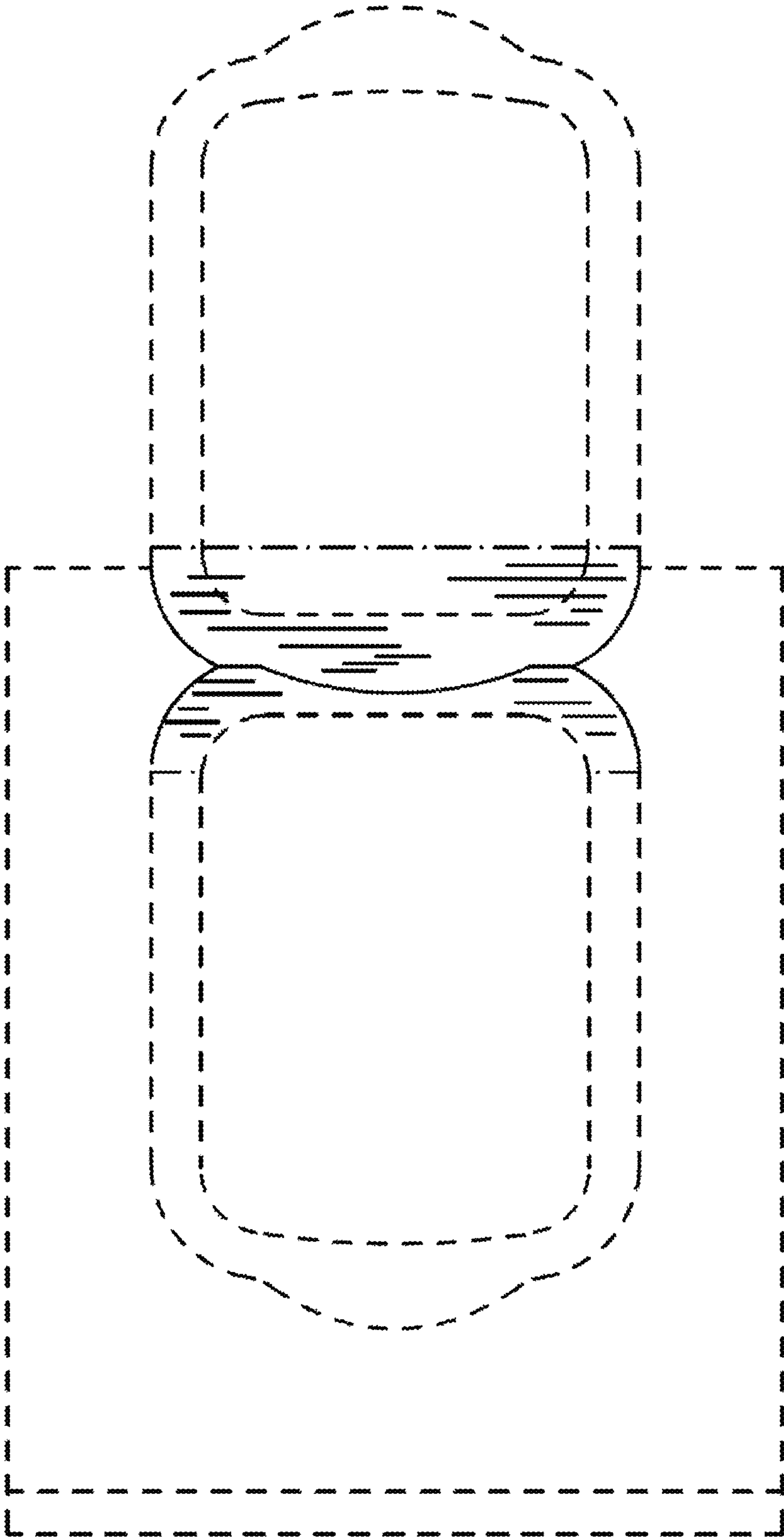


Fig. 9

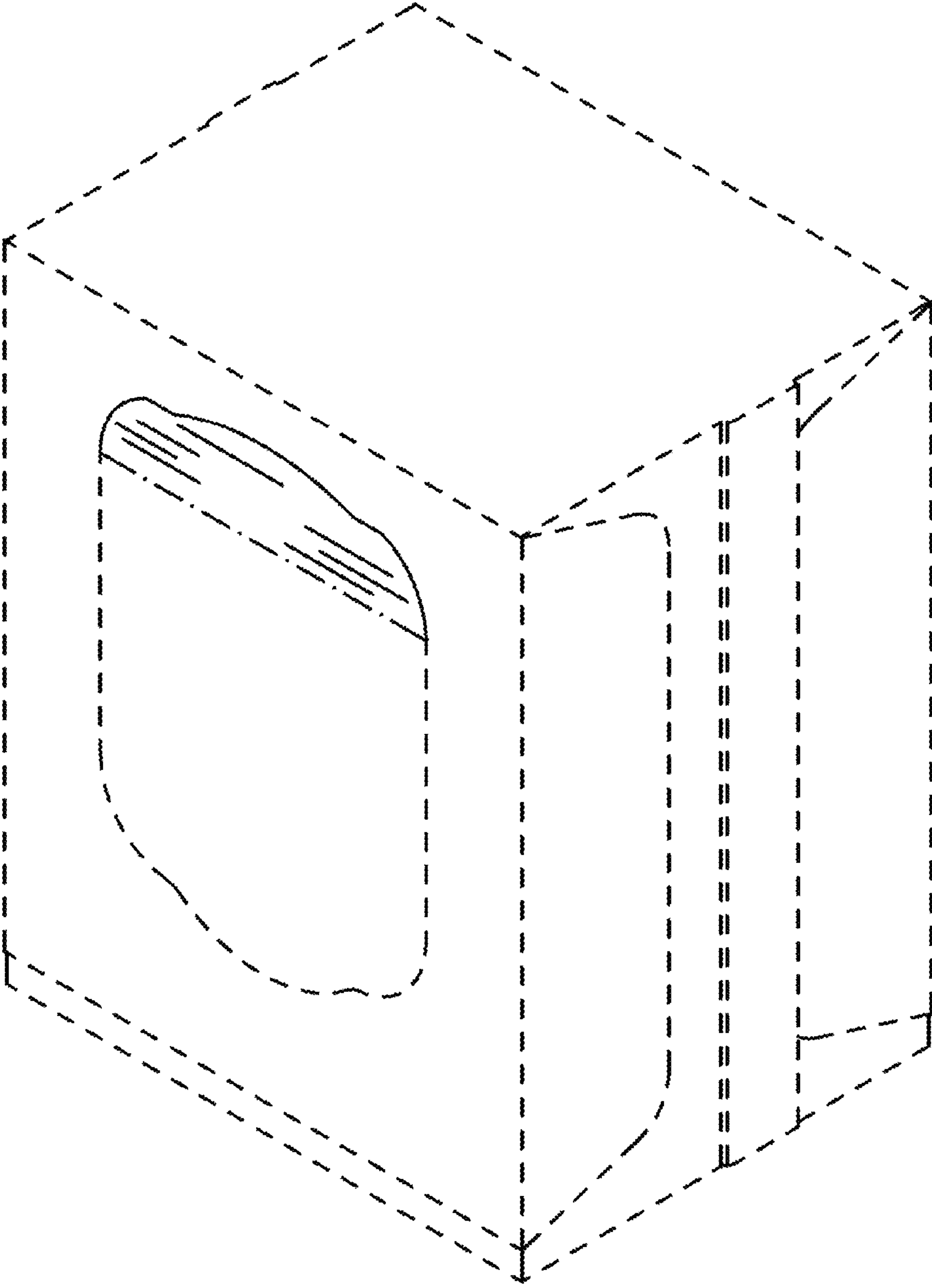


Fig. 10

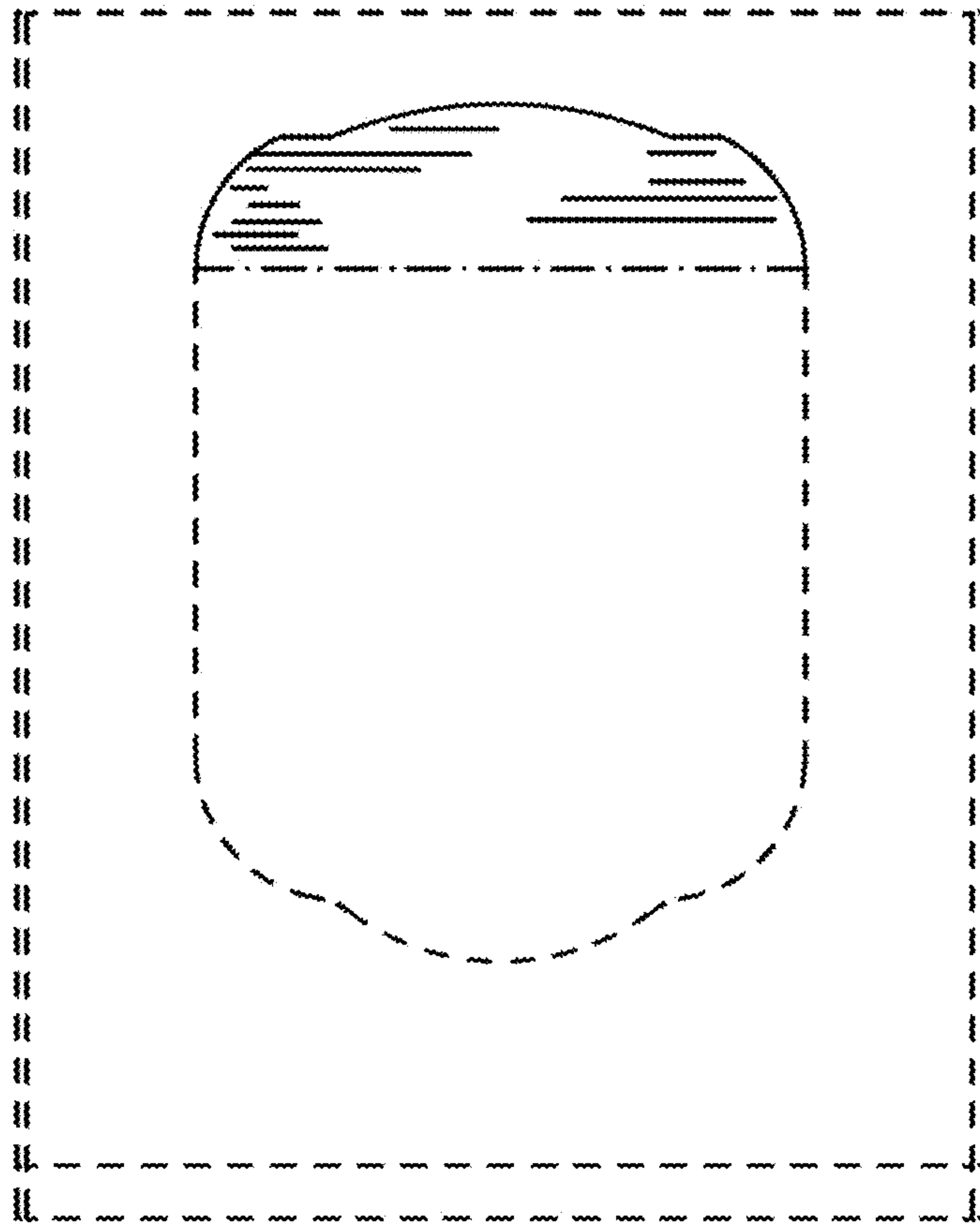


Fig. 11



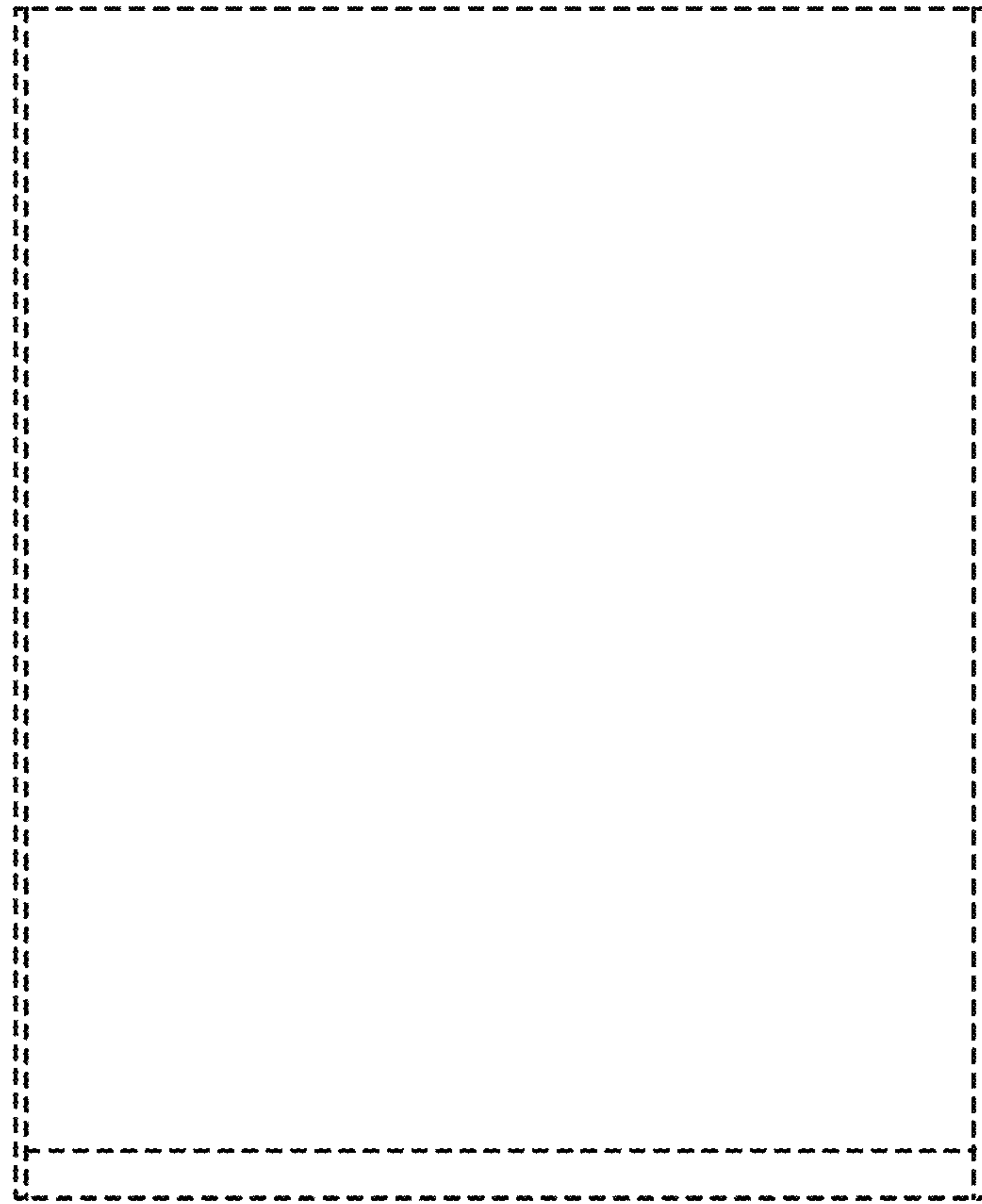


Fig. 12



Fig. 13

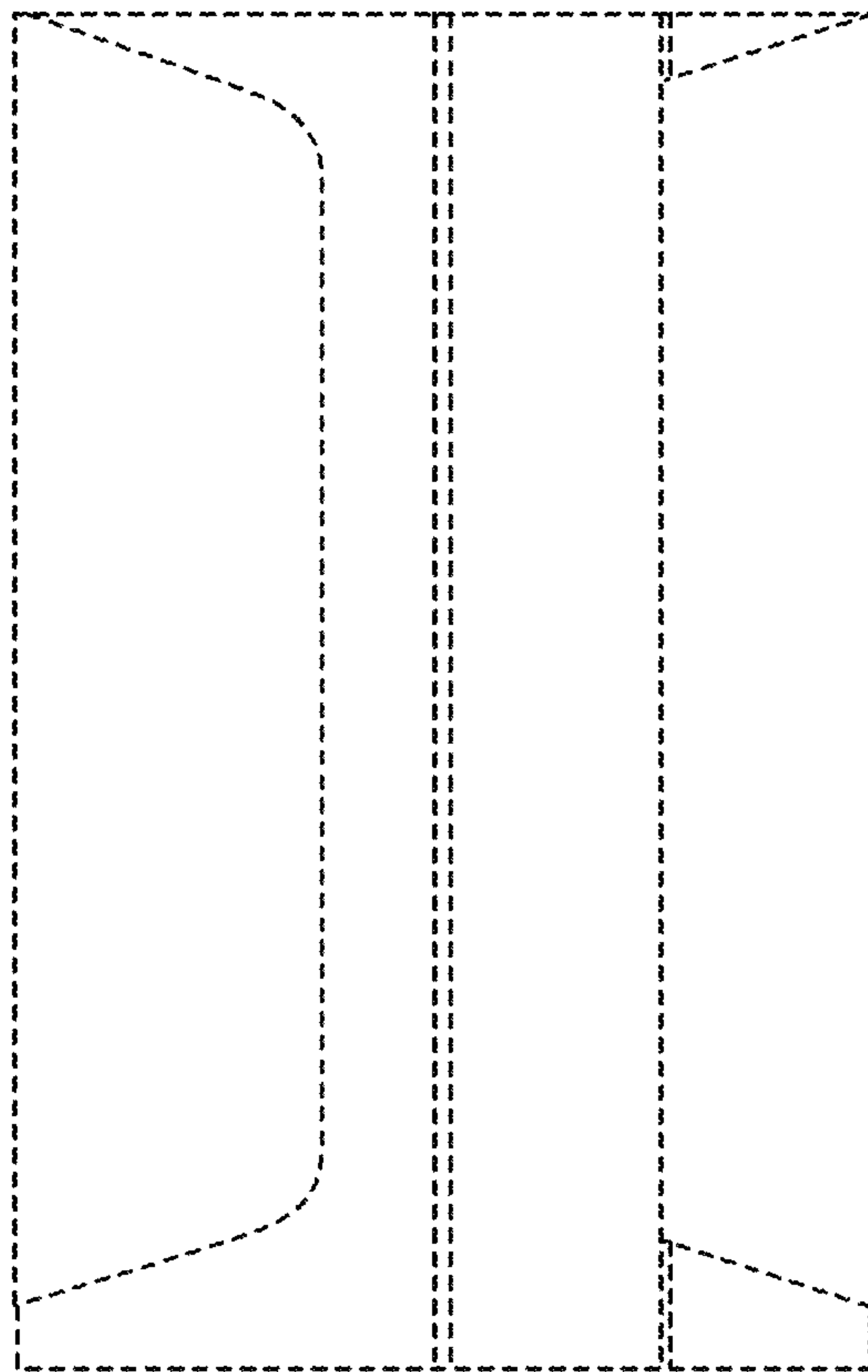


Fig. 14