



US00D777024S

(12) **United States Design Patent**
Lee et al.

(10) **Patent No.:** **US D777,024 S**
(45) **Date of Patent:** **** Jan. 24, 2017**

(54) **BRACKET FOR FIXING COMMUNICATION EQUIPMENT**

(71) Applicant: **Samsung Electronics Co., Ltd.**,
Suwon-si, Gyeonggi-do (KR)

(72) Inventors: **Eun-Uae Lee**, Seoul (KR); **Kyu-Cheol Kim**, Seoul (KR); **Gi-Chun Nam**,
Suwon-si (KR); **Joon-Taek Lee**,
Yongin-si (KR); **Tai-Hyung Ju**, Seoul
(KR); **Dong-Ju Choi**, Suwon-si (KR)

(73) Assignee: **SAMSUNG ELECTRONICS CO., LTD.**, Gyeonggi-Do (KR)

(**) Term: **14 Years**

(21) Appl. No.: **29/518,025**

(22) Filed: **Feb. 19, 2015**

(30) **Foreign Application Priority Data**

Aug. 22, 2014 (KR) 30-2014-0041038

(51) **LOC (10) Cl.** **08-08**

(52) **U.S. Cl.**
USPC **D8/396**

(58) **Field of Classification Search**
USPC D8/339, 349, 350-353, 371, 373, 380,
D8/382-383, 394, 396, 404, 499;
D13/102, 118, 149, 154, 155, 184, 199;
D16/340, 242; D25/119, 123, 124, 125;
D21/484, D21/500, 504
CPC A47G 1/00; A47G 25/00; F16L 3/00
See application file for complete search history.

(56) **References Cited**

U.S. PATENT DOCUMENTS

D357,400 S * 4/1995 Sachs D8/354
D409,079 S * 5/1999 Sobczynski D8/354
D557,117 S * 12/2007 Cannaverde D8/354
D573,008 S * 7/2008 Sipe D8/356

D625,581 S * 10/2010 Crostic, Jr. D8/356
D663,190 S * 7/2012 Mota D16/242
8,782,832 B2 * 7/2014 Blyakher A61B 6/0421
5/601
D731,296 S * 6/2015 Nelson D8/356
D742,721 S * 11/2015 Cosby D8/349
9,192,537 B2 * 11/2015 Schlegel H01R 13/518
D746,125 S * 12/2015 Miller D8/356
D746,661 S * 1/2016 Shetti D8/354

* cited by examiner

Primary Examiner — Rosemary K Tarcza

Assistant Examiner — Nathaniel D Buckner

(74) *Attorney, Agent, or Firm* — Cantor Colburn LLP

(57) **CLAIM**

The ornamental design for a bracket for fixing communication equipment, as shown and described.

DESCRIPTION

FIG. 1 is a perspective view of a bracket for fixing communication equipment, showing our new design;
FIG. 2 is a front view thereof;
FIG. 3 is a rear view thereof;
FIG. 4 is a side view thereof;
FIG. 5 is another side view thereof;
FIG. 6 is a top view thereof; and,
FIG. 7 is a bottom view thereof.

The broken lines in the figures represent environmental subject matter and portions of the article which form no part of the claim.

1 Claim, 7 Drawing Sheets

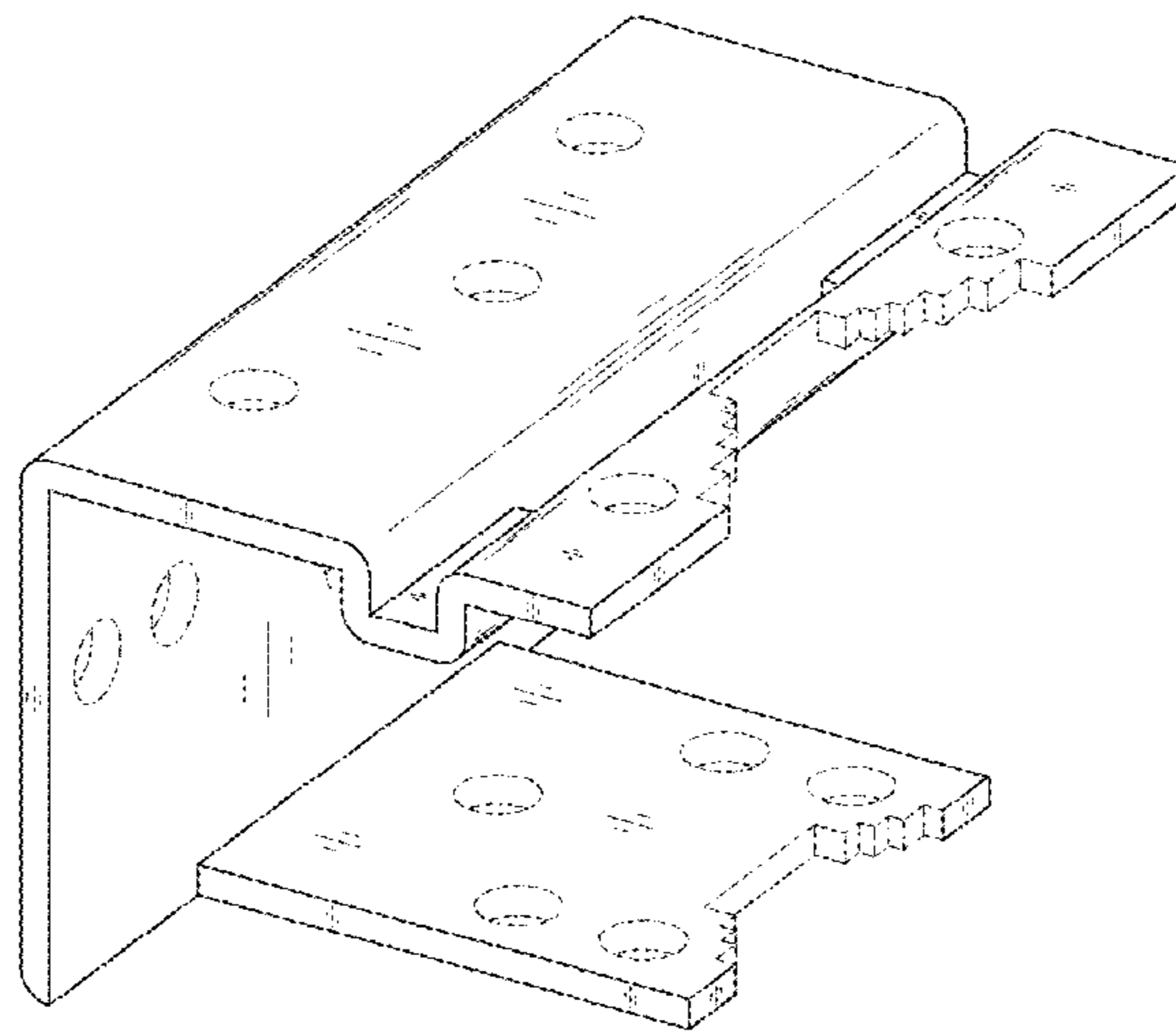


FIG. 1

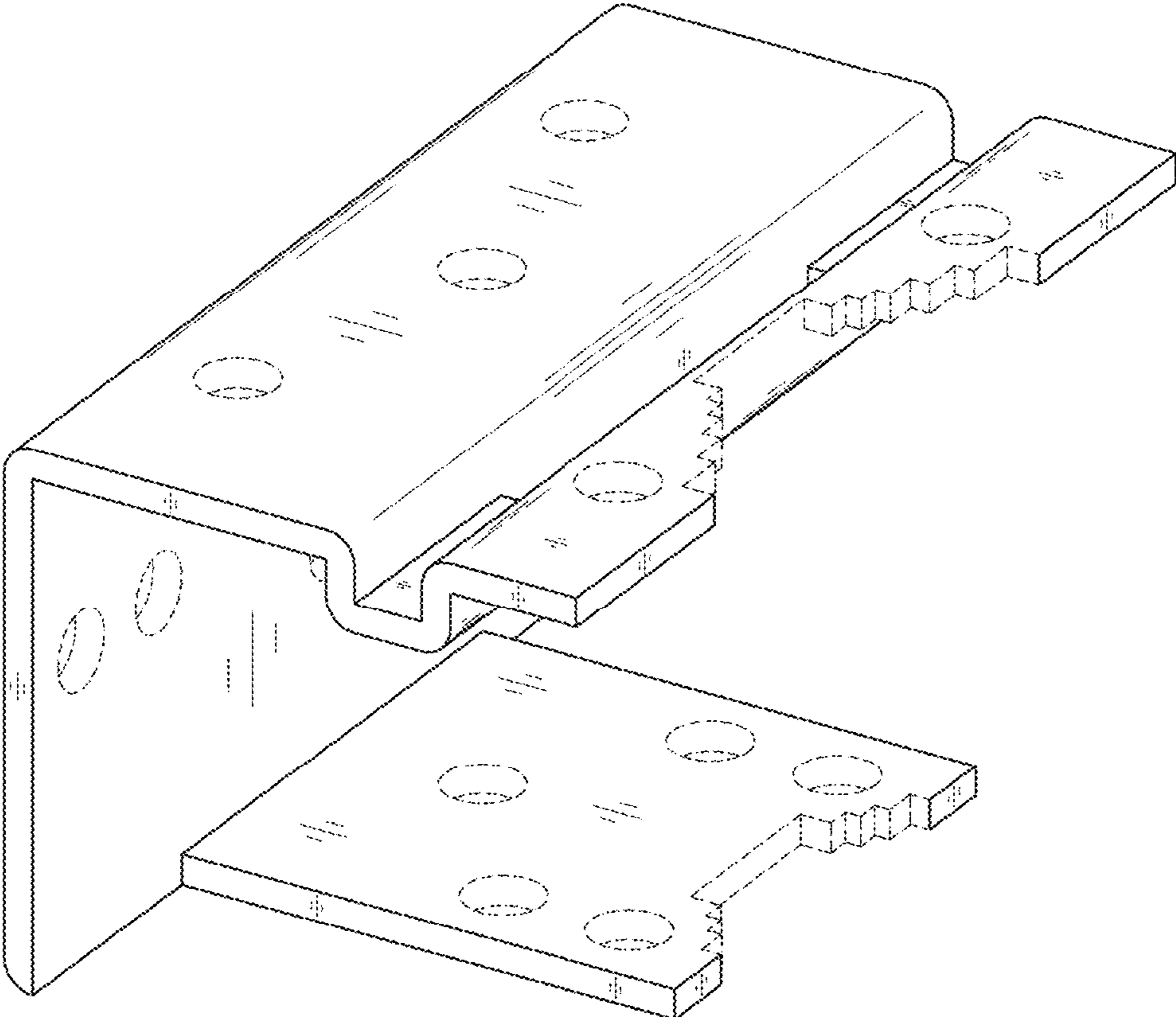


FIG. 2

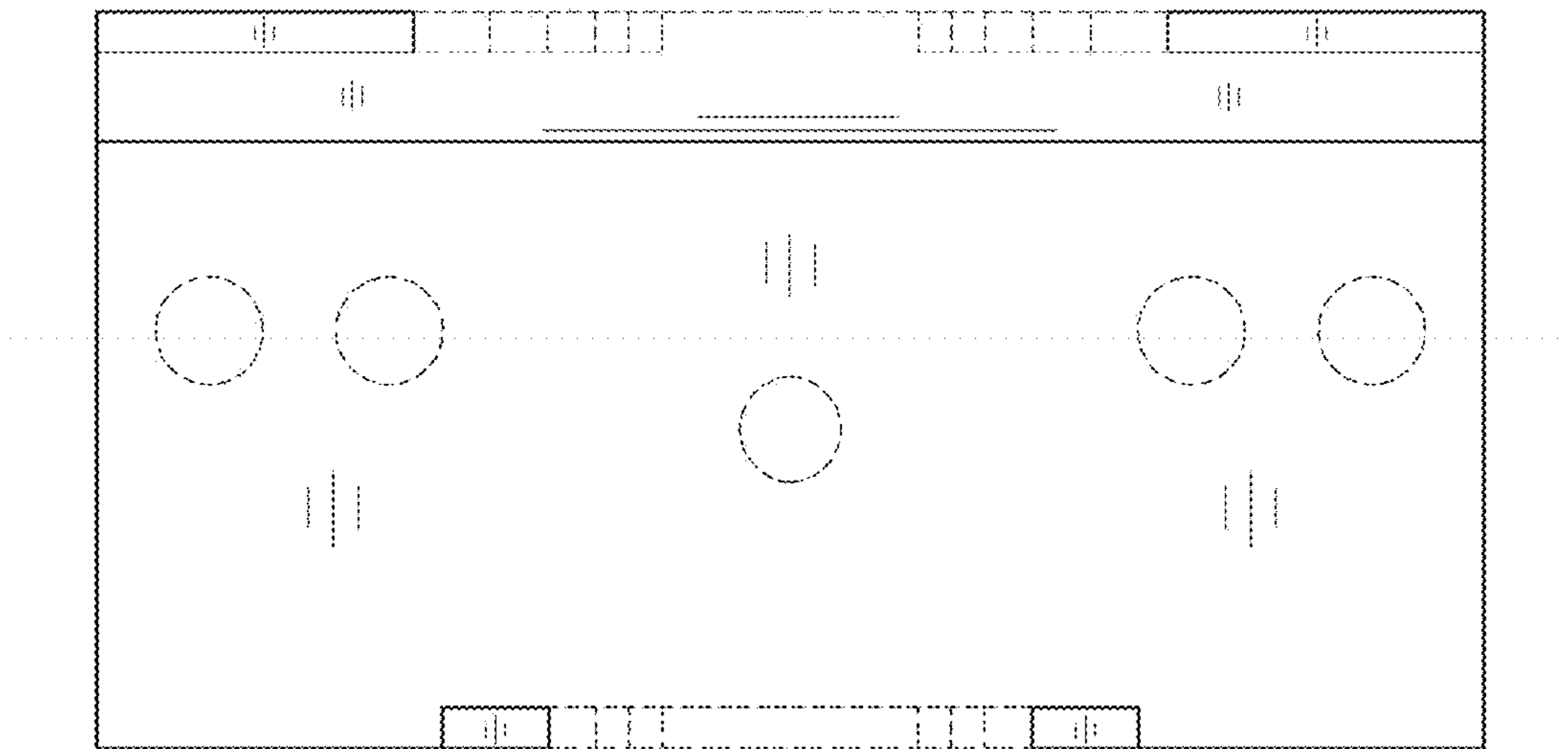


FIG. 3

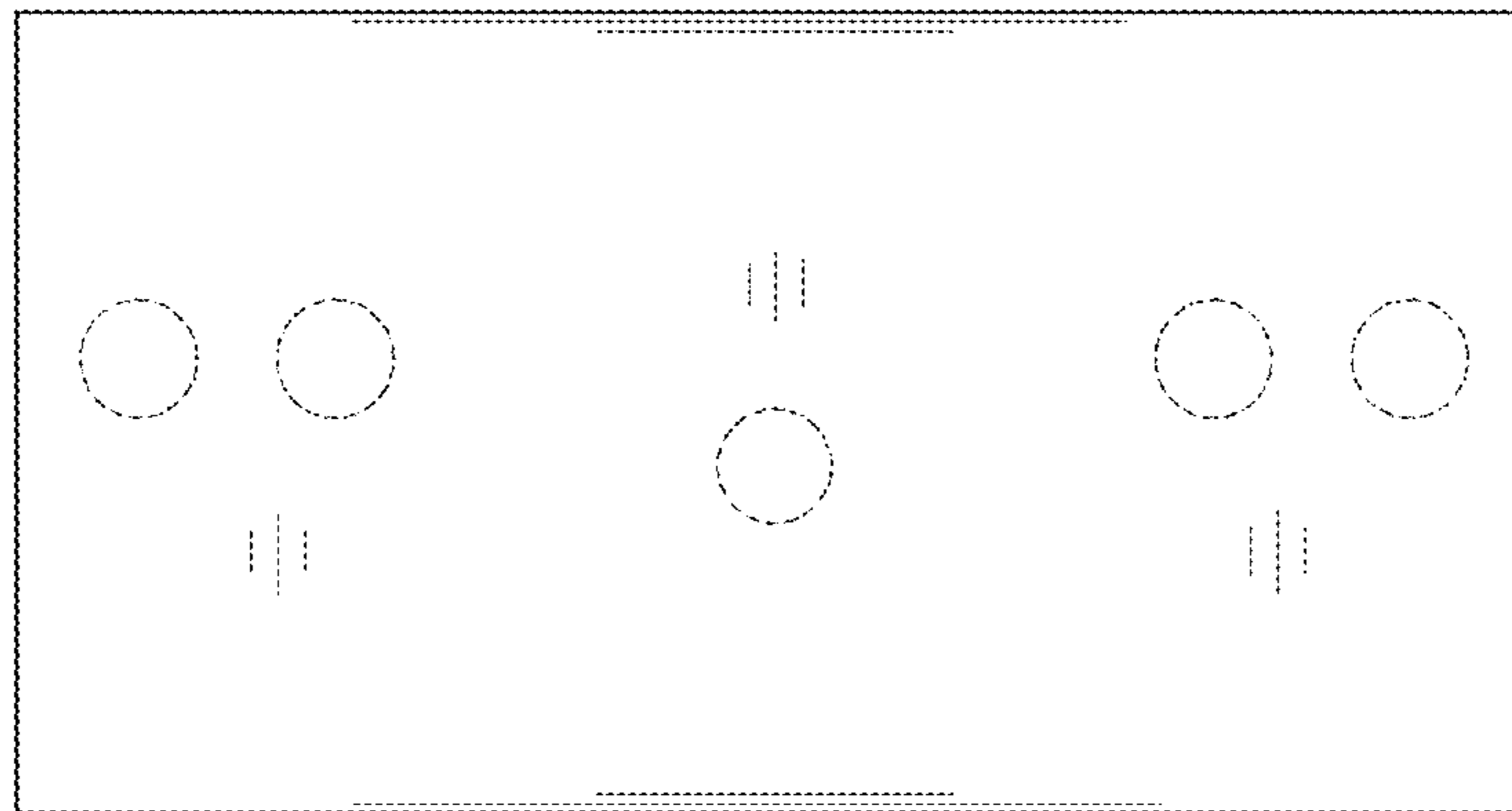


FIG. 4

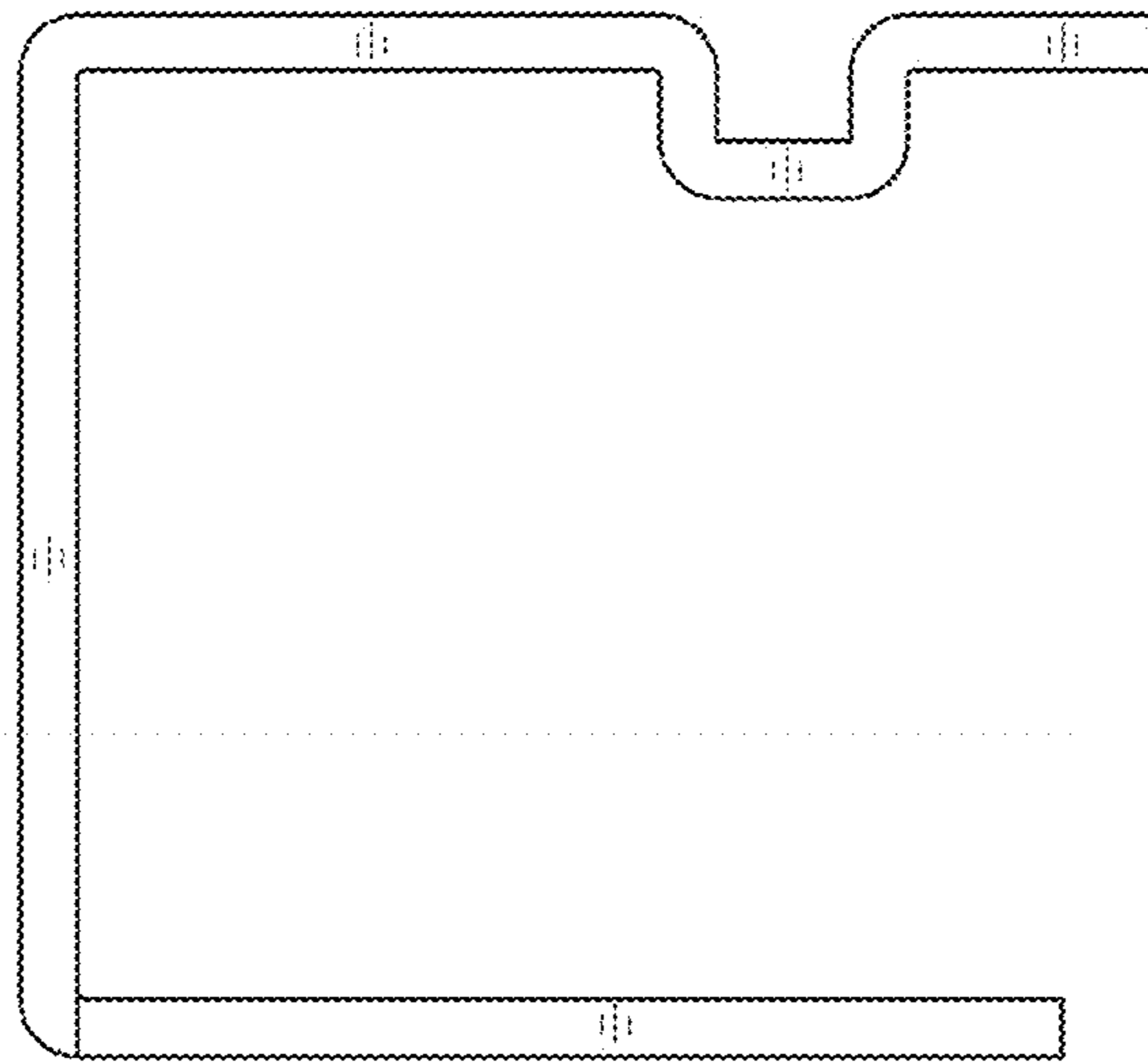


FIG. 5

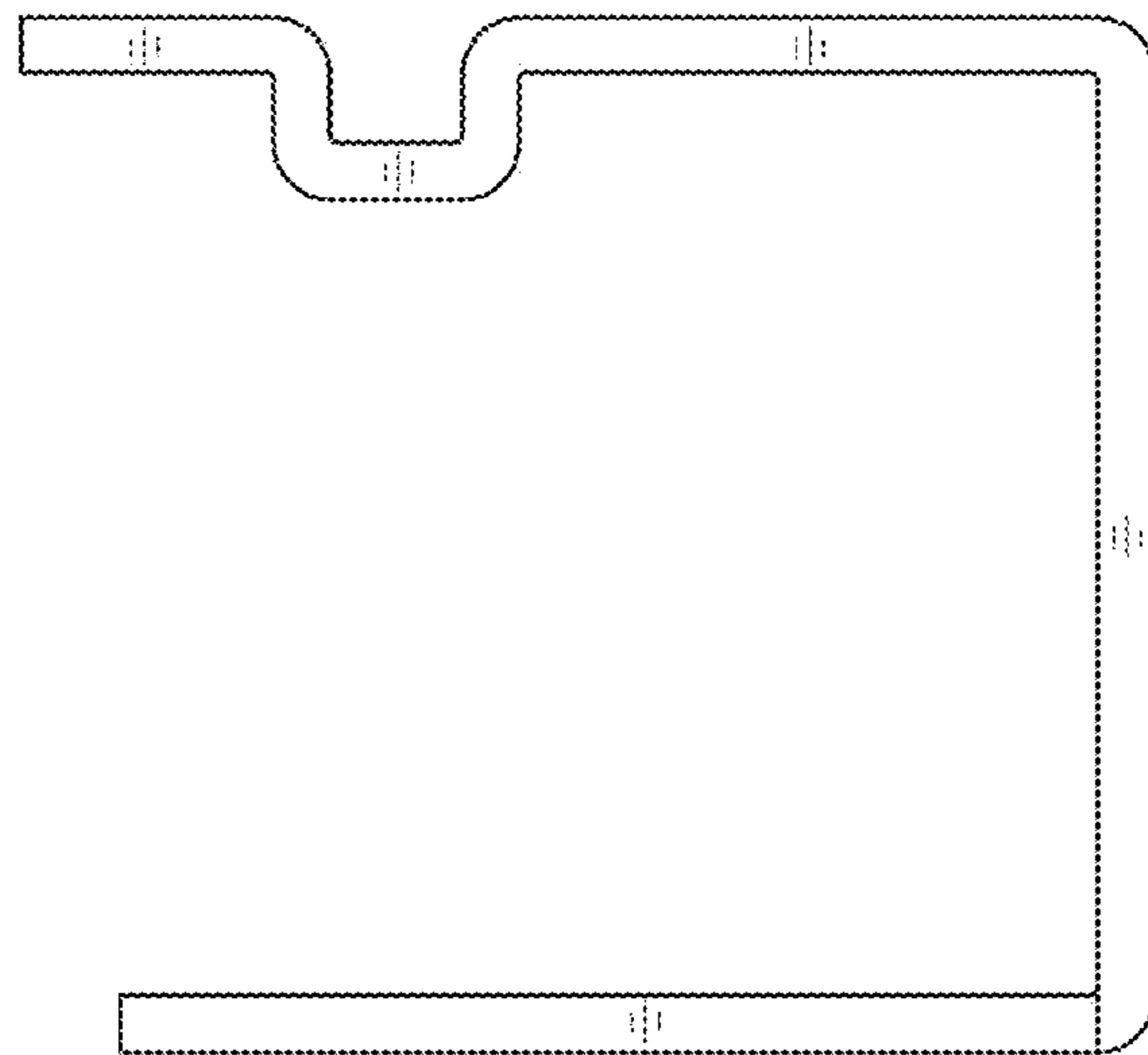


FIG. 6

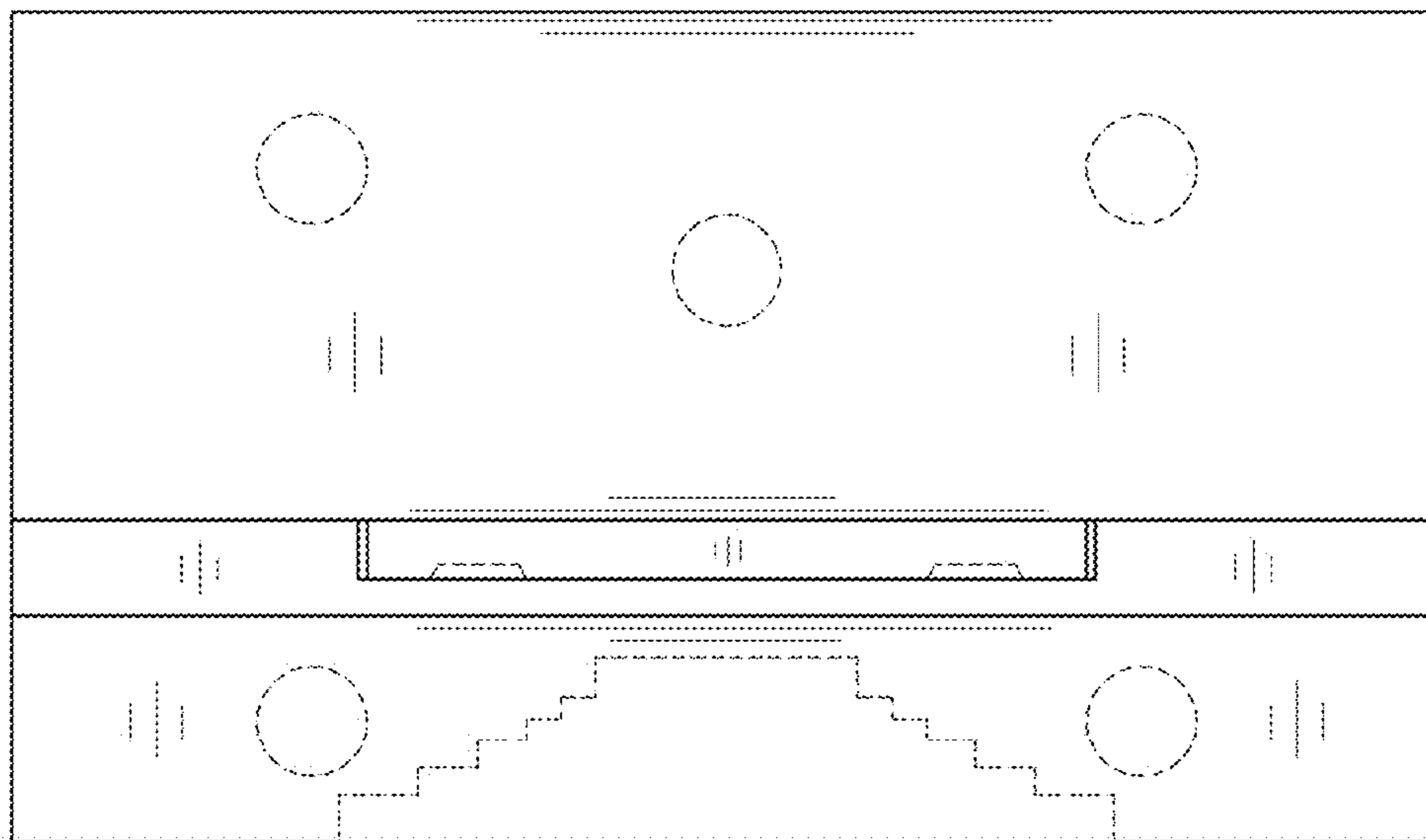


FIG. 7

