



US00D777021S

(12) **United States Design Patent**
Dew

(10) **Patent No.:** **US D777,021 S**
(45) **Date of Patent:** **** Jan. 24, 2017**

(54) **CLAMP**

3,146,982 A * 9/1964 Budnick 248/68.1
D214,992 S * 8/1969 Kelch, Jr. D8/382
D217,052 S * 3/1970 Jones D8/396

(71) Applicant: **Airbus Defence and Space Limited,**
Stevenage (GB)

(Continued)

(72) Inventor: **Graham Dew,** Stevenage (GB)

FOREIGN PATENT DOCUMENTS

(73) Assignee: **AIRBUS DEFENCE AND SPACE LIMITED,** Hertfordshire (GB)

CN 301579257 * 6/2011
CN 301837829 * 2/2012
JP D1443438 * 6/2012

(**) Term: **14 Years**

OTHER PUBLICATIONS

(21) Appl. No.: **29/503,401**

Crab Claw Style Rotary Handle Camera Tripod Monopod Clamp,
website copyright 2015, online, //www.dinowish.com/stores/
buybay004/crab-claw-style-rotary-handle-camera-tripod-monopod-
clamp-black-p-3866.html, [site visited Aug. 13, 2015 7:27:48 PM].*

(22) Filed: **Sep. 25, 2014**

(Continued)

(30) **Foreign Application Priority Data**

Mar. 25, 2014 (EP) 002432567-0001
Mar. 25, 2014 (EP) 002432567-0002
Mar. 25, 2014 (EP) 002432567-0003
Mar. 25, 2014 (EP) 002432567-0004
Mar. 25, 2014 (EP) 002432567-0005
Mar. 25, 2014 (EP) 002432567-0006
Mar. 25, 2014 (EP) 002432567-0007

Primary Examiner — John Windmuller
Assistant Examiner — John R Yeh
(74) *Attorney, Agent, or Firm* — Buchanan Ingersoll &
Rooney PC

(51) **LOC (10) Cl.** **08-08**

(57) **CLAIM**

The ornamental design for a clamp, as shown and described.

(52) **U.S. Cl.**

USPC **D8/394**

DESCRIPTION

(58) **Field of Classification Search**

USPC D8/394-396, 71-74, 499, 354-355, 380
CPC . D06F 55/00; A44D 2203/00; A61B 17/0664;
A61B 17/04; A61B 17/1265; A43D
79/00; A41B 3/08; A41F 15/02; A62F
2/0063

FIG. 1 is perspective view of a clamp showing my new design.

FIG. 2 is front elevational view thereof.

FIG. 3 is rear elevational view thereof.

FIG. 4 is left side elevational view thereof.

FIG. 5 is right side elevational view thereof.

FIG. 6 is a top plan view thereof; and,

FIG. 7 is a bottom plan view thereof.

The use of broken lines in the drawings illustrate environmental structure or boundaries that form no part of the claimed design.

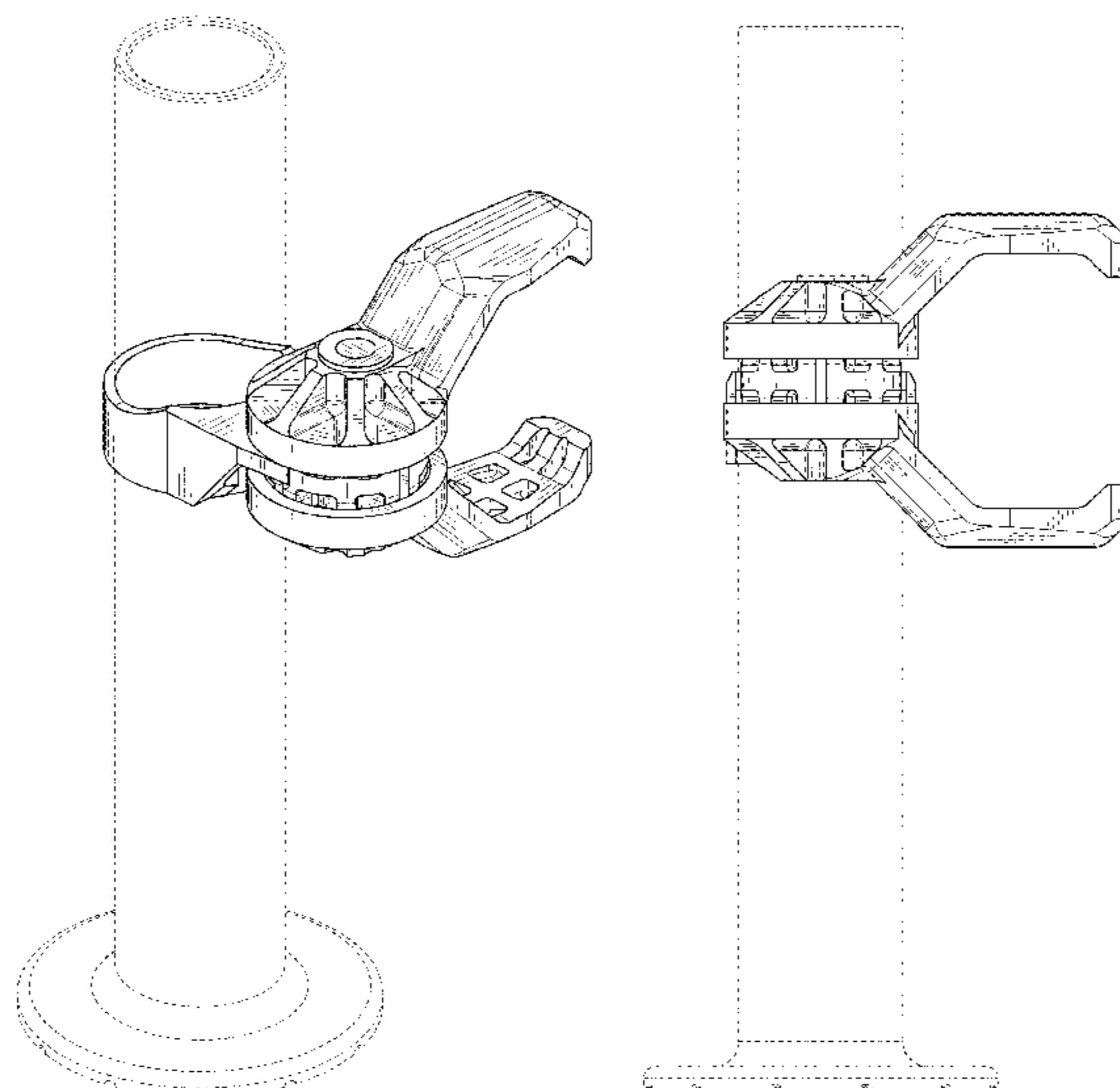
See application file for complete search history.

(56) **References Cited**

U.S. PATENT DOCUMENTS

D135,423 S * 4/1943 Campbell et al. D8/394
D176,976 S * 2/1956 Crook D25/68
D187,286 S * 2/1960 Silva D8/360

1 Claim, 6 Drawing Sheets



(56)

References Cited

U.S. PATENT DOCUMENTS

D231,599 S * 5/1974 Rumble D8/394
4,059,872 A * 11/1977 Delesandri 24/284
D260,476 S * 9/1981 Knaus D8/55
D260,790 S * 9/1981 Gabriel D21/486
D271,939 S * 12/1983 Little D8/73
D274,601 S * 7/1984 Helmle D8/380
4,666,116 A * 5/1987 Lloyd 248/228.6
D294,330 S * 2/1988 Keck D8/395
D296,983 S * 8/1988 Westerlund D8/396
D297,285 S * 8/1988 Larsson D6/326
D340,018 S * 10/1993 Yoder D12/223
5,524,667 A * 6/1996 Potter 137/343
D376,974 S * 12/1996 Chen D8/396
D381,894 S * 8/1997 Lun D8/396
D470,400 S * 2/2003 Fraser et al. D8/396
D544,328 S * 6/2007 Ranieri D8/72
D605,125 S * 12/2009 Bizzell D13/139.1
D664,031 S * 7/2012 Kleiber, Jr. D8/394
D736,073 S * 8/2015 Eriksson D8/394

OTHER PUBLICATIONS

Guil Escenarios, Tarimas, Torres, Truss, Stages, Lifts, Barriers, google pub date Dec. 8, 2009, online, <http://www.guil.es/en/productos/producto.php?submenu=10&categoria=68&id=396>, [site visited Jun. 22, 2015 4:13:46 PM].*

Amazon.com: ChargerCity Dedicated 360° Swivel Adjustment Apple iPad Mini Holder, review date Dec. 11, 2013, online, http://www.amazon.com/ChargerCity-Adjustment-Connection-Adjustable-Microphone/dp/B00DR1RZLG/ref=sr_1_6?ie=UTF8&qid=1439505853&sr=8-6&keywords=pole+mounted+clamp, [site visited Aug. 13, 2015 6:45:53 PM].*

* cited by examiner

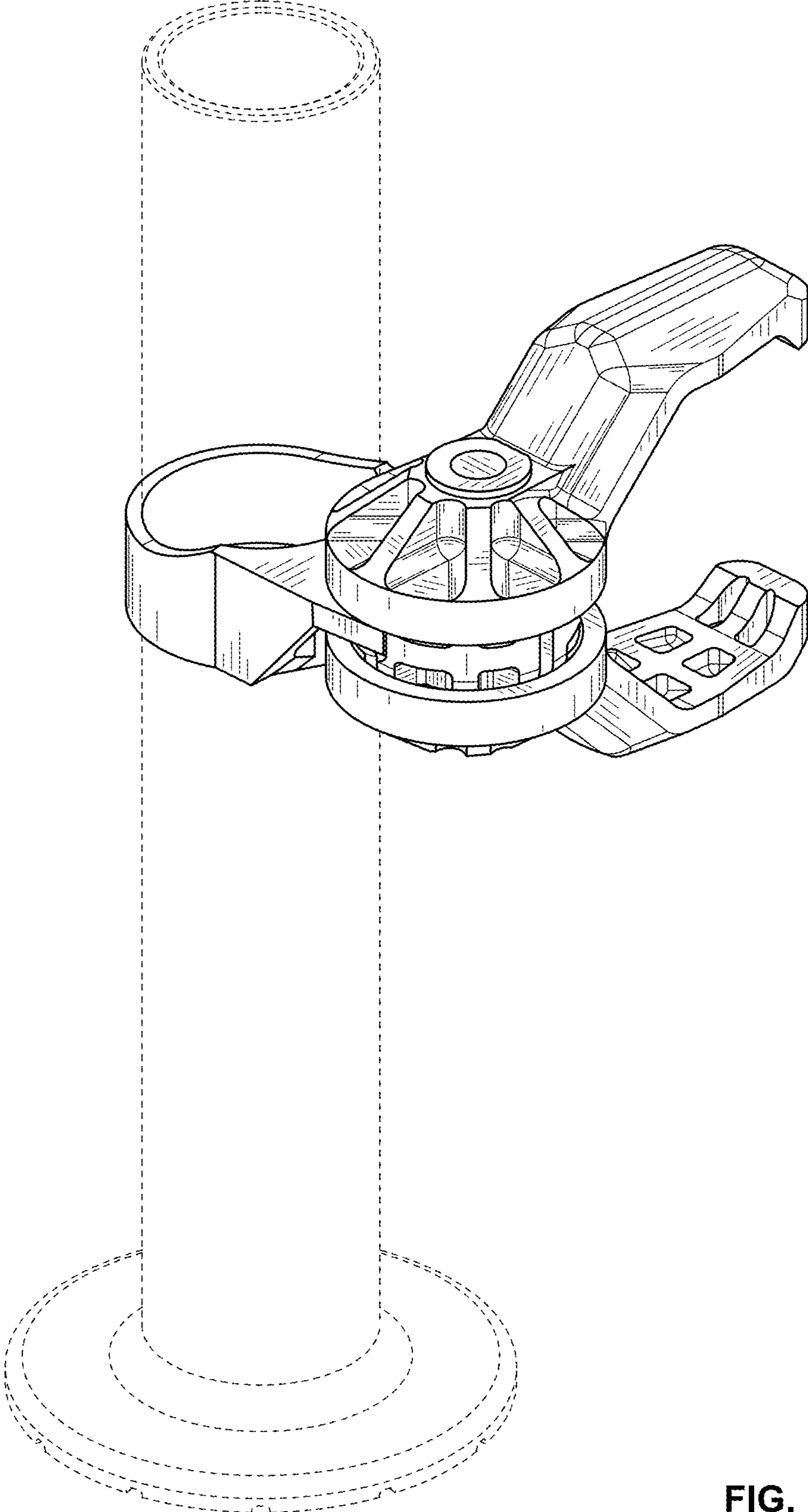


FIG. 1

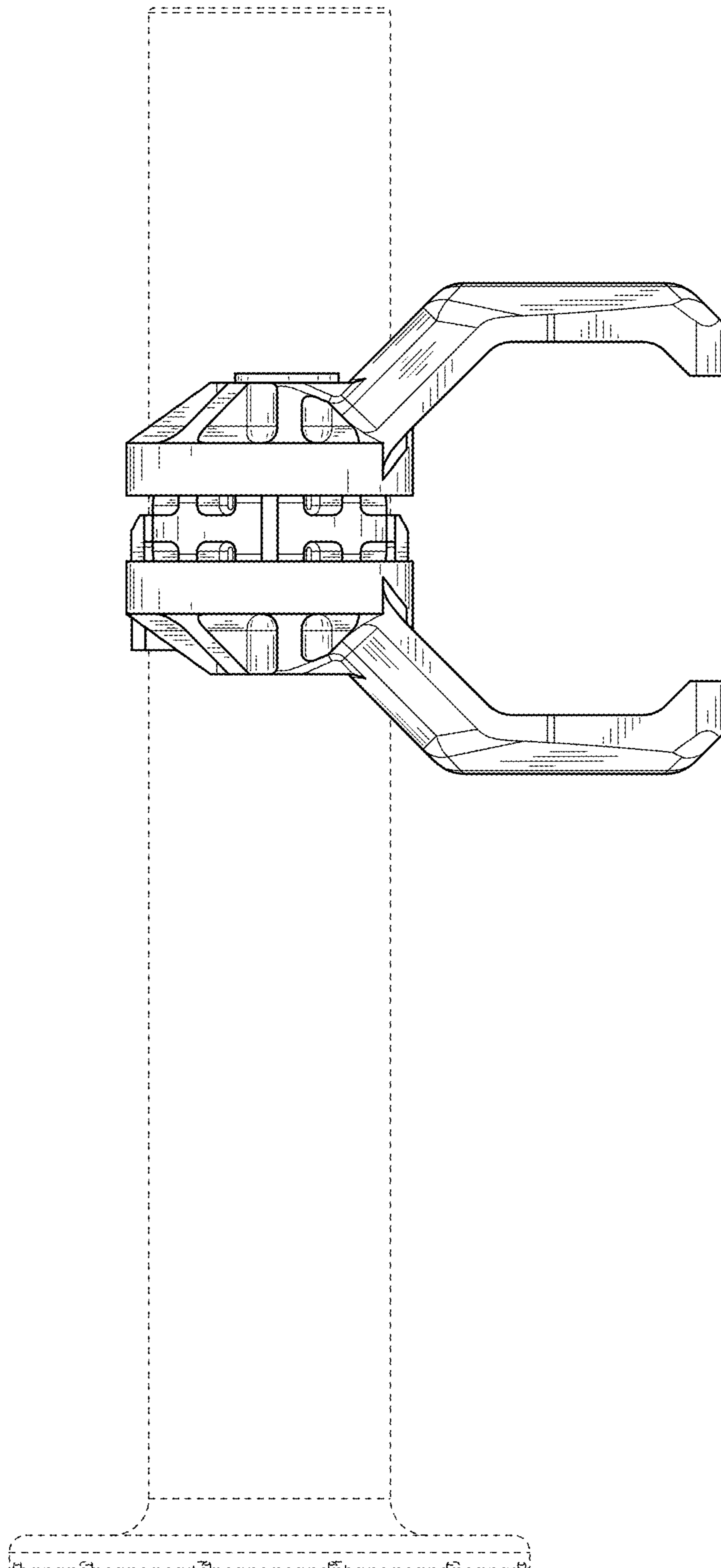


FIG. 2

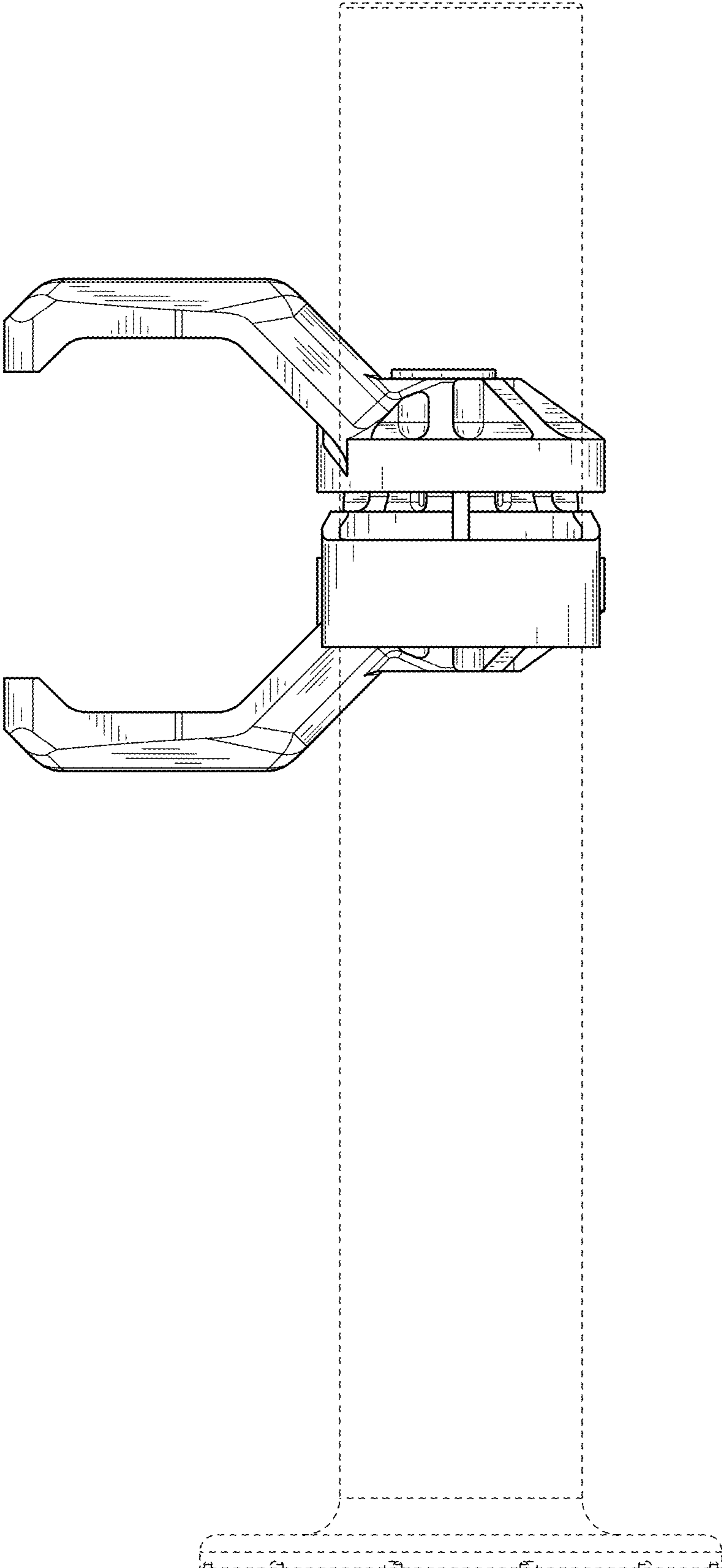


FIG. 3

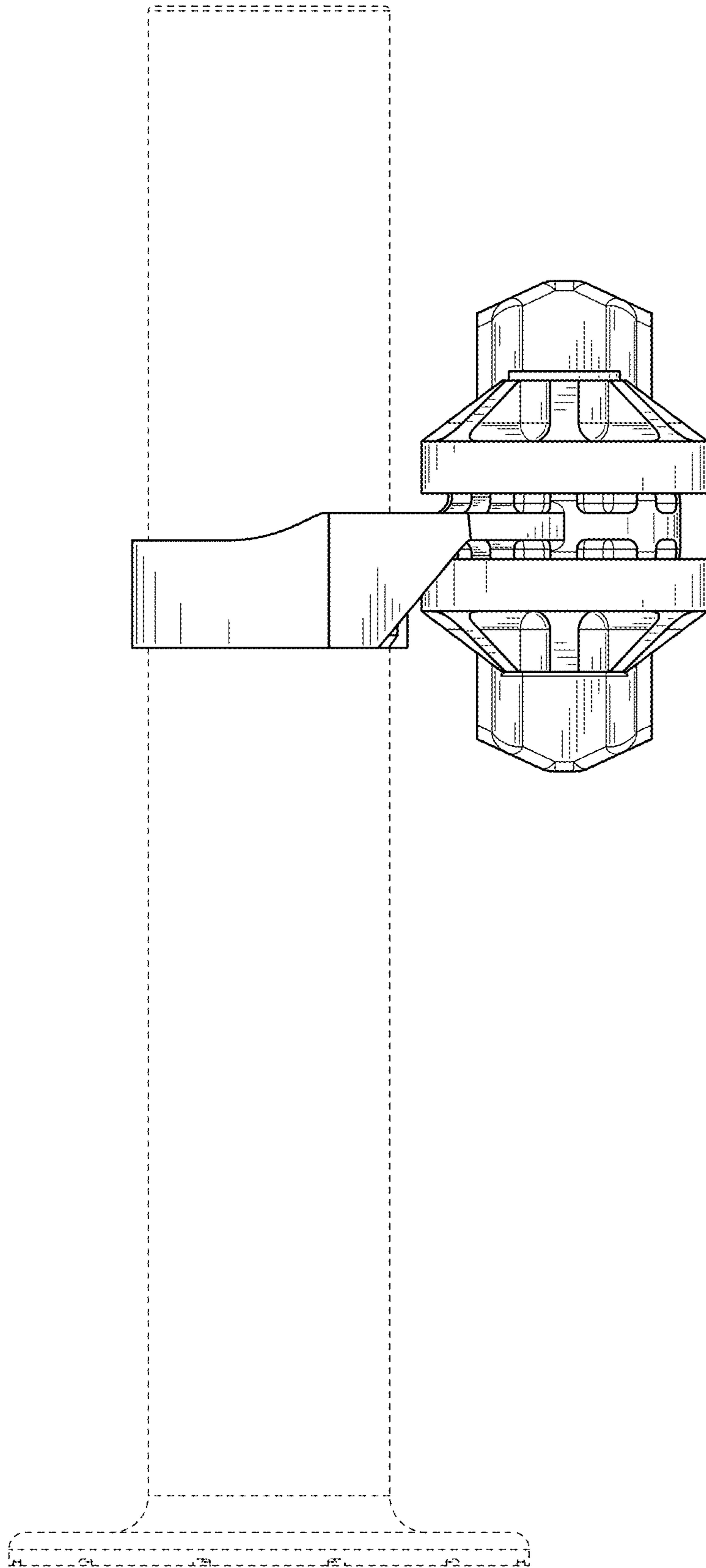


FIG. 4

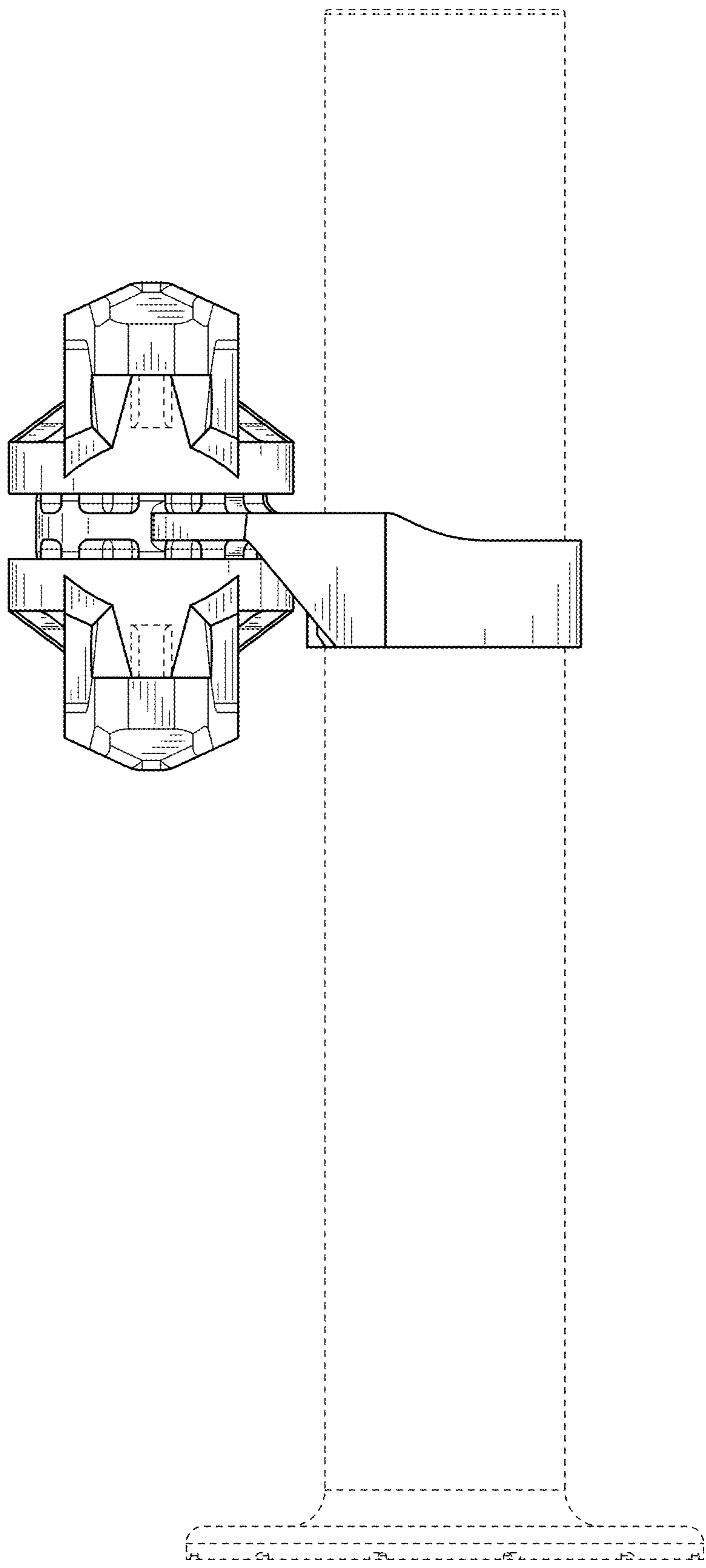


FIG. 5

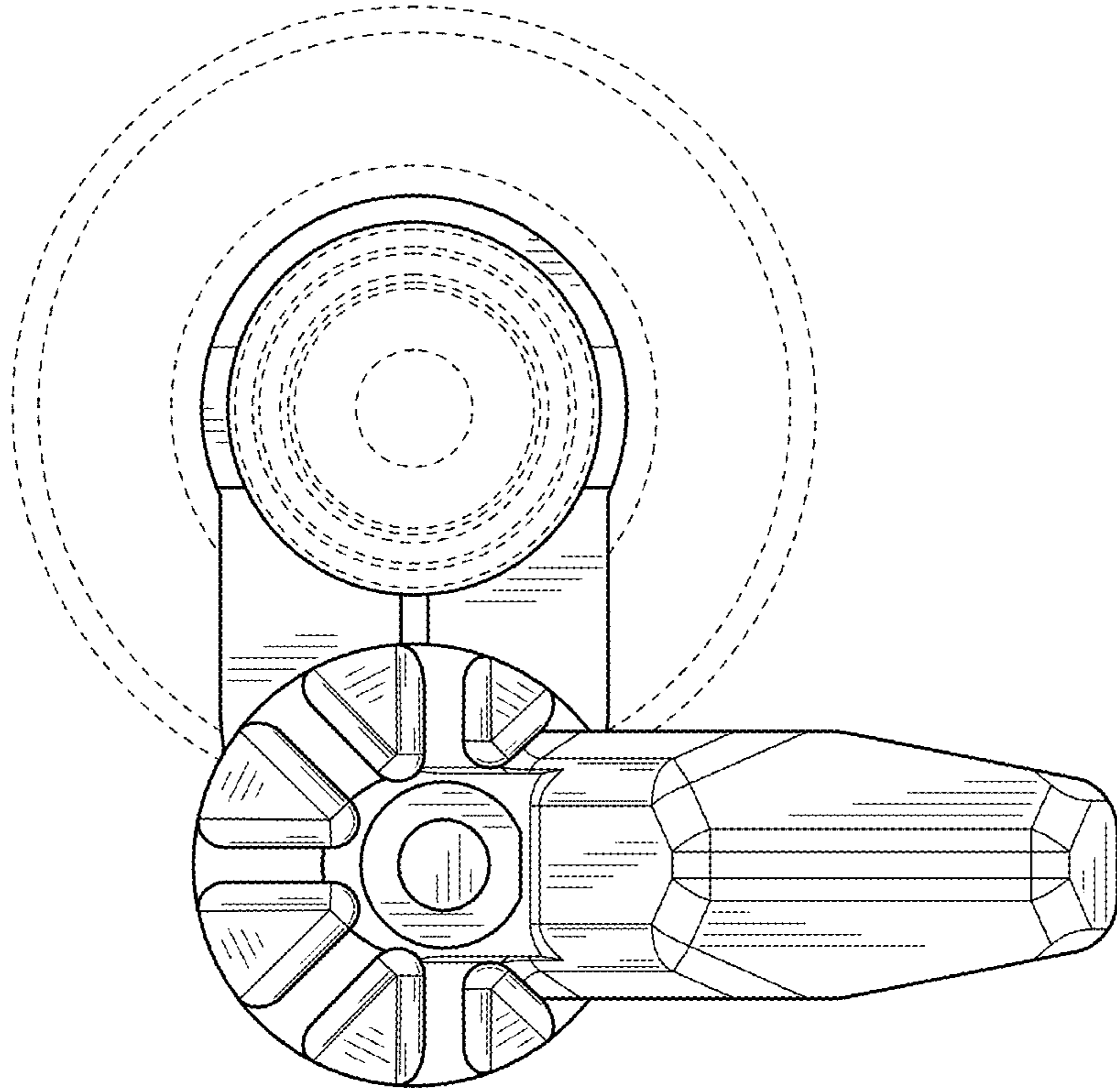


FIG. 6

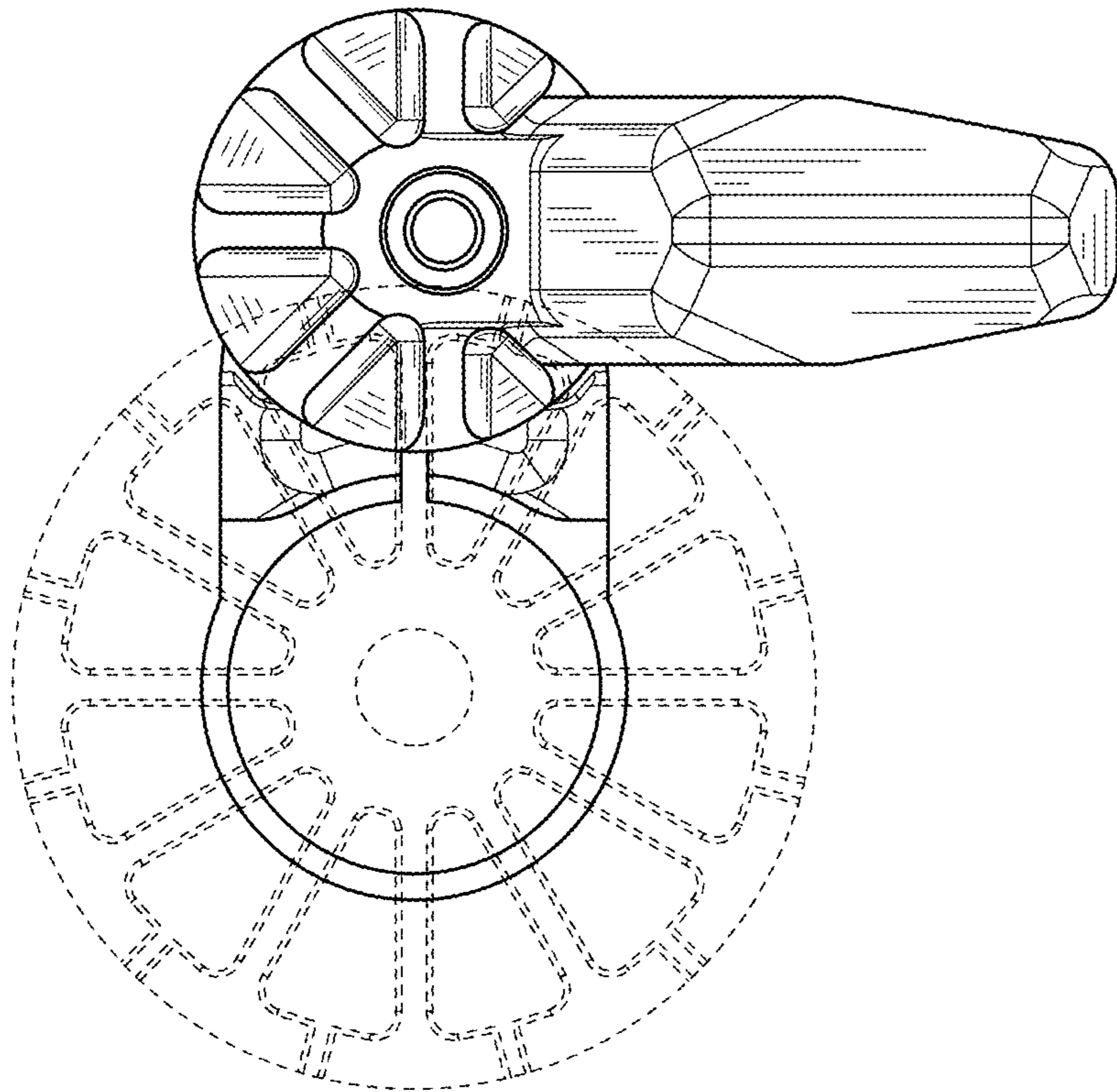


FIG. 7