



US00D777020S

(12) **United States Design Patent**
Zlatic et al.

(10) **Patent No.:** **US D777,020 S**
(45) **Date of Patent:** **** *Jan. 24, 2017**

(54) **BOTTLE HOLDER, ADAPTER AND CLAMP ASSEMBLY**

(71) Applicants: **Doug Zlatic**, North Royalton, OH (US);
Michael W. Jackson, Wooster, OH (US)

(72) Inventors: **Doug Zlatic**, North Royalton, OH (US);
Michael W. Jackson, Wooster, OH (US)

(73) Assignee: **GOJO Industries, Inc.**, Akron, OH (US)

(*) Notice: This patent is subject to a terminal disclaimer.

(**) Term: **14 Years**

(21) Appl. No.: **29/444,095**

(22) Filed: **Jan. 25, 2013**

(51) **LOC (10) Cl.** **08-08**

(52) **U.S. Cl.**
USPC **D8/394**

(58) **Field of Classification Search**
USPC .. D8/72, 394, 395, 396, 373, 374; D15/138;
248/313, 316.1, 316.2, 226.11, 228.6,
248/230.6, 231.71; 269/97; D30/121,
D30/133; D9/455, 443; D6/545; 222/103;
24/278, 486, 489, 505
CPC A47K 10/14; A47G 1/21; A47G 25/0657;
F16B 7/1418; F16B 7/044; F16B
7/04; B25B 1/2484; B65D 35/28; A62C
13/78

See application file for complete search history.

(56) **References Cited**

U.S. PATENT DOCUMENTS

D269,156 S * 5/1983 Slinkard D8/396
4,444,358 A * 4/1984 Spohn et al. 239/284.1
D279,836 S * 7/1985 Tanaka D12/420
D292,160 S * 10/1987 Thomas D7/622

D328,216 S * 7/1992 Steed D6/567
D339,782 S * 9/1993 Yoder D12/223
D340,018 S * 10/1993 Yoder D12/223
D355,337 S * 2/1995 Eisenbraun et al. D7/620
D361,461 S * 8/1995 Linzenbold D6/556
D365,512 S * 12/1995 Mason D8/394
D389,334 S * 1/1998 Attridge D3/10
D393,998 S * 5/1998 Anderson D8/394
D457,410 S * 5/2002 Von Fange D8/73
D494,471 S * 8/2004 Chou D9/455
D500,222 S * 12/2004 Haas D6/545
D505,328 S * 5/2005 Chou D9/455
D593,859 S * 6/2009 Barnum D9/455
D659,302 S * 5/2012 Rose D30/133
D668,522 S * 10/2012 Henderson D8/73
D700,971 S * 3/2014 Alvarado D24/199

(Continued)

Primary Examiner — John Windmuller

Assistant Examiner — Steven Czyz

(74) *Attorney, Agent, or Firm* — Renner Kenner Greive
Bobak Taylor & Weber

(57) **CLAIM**

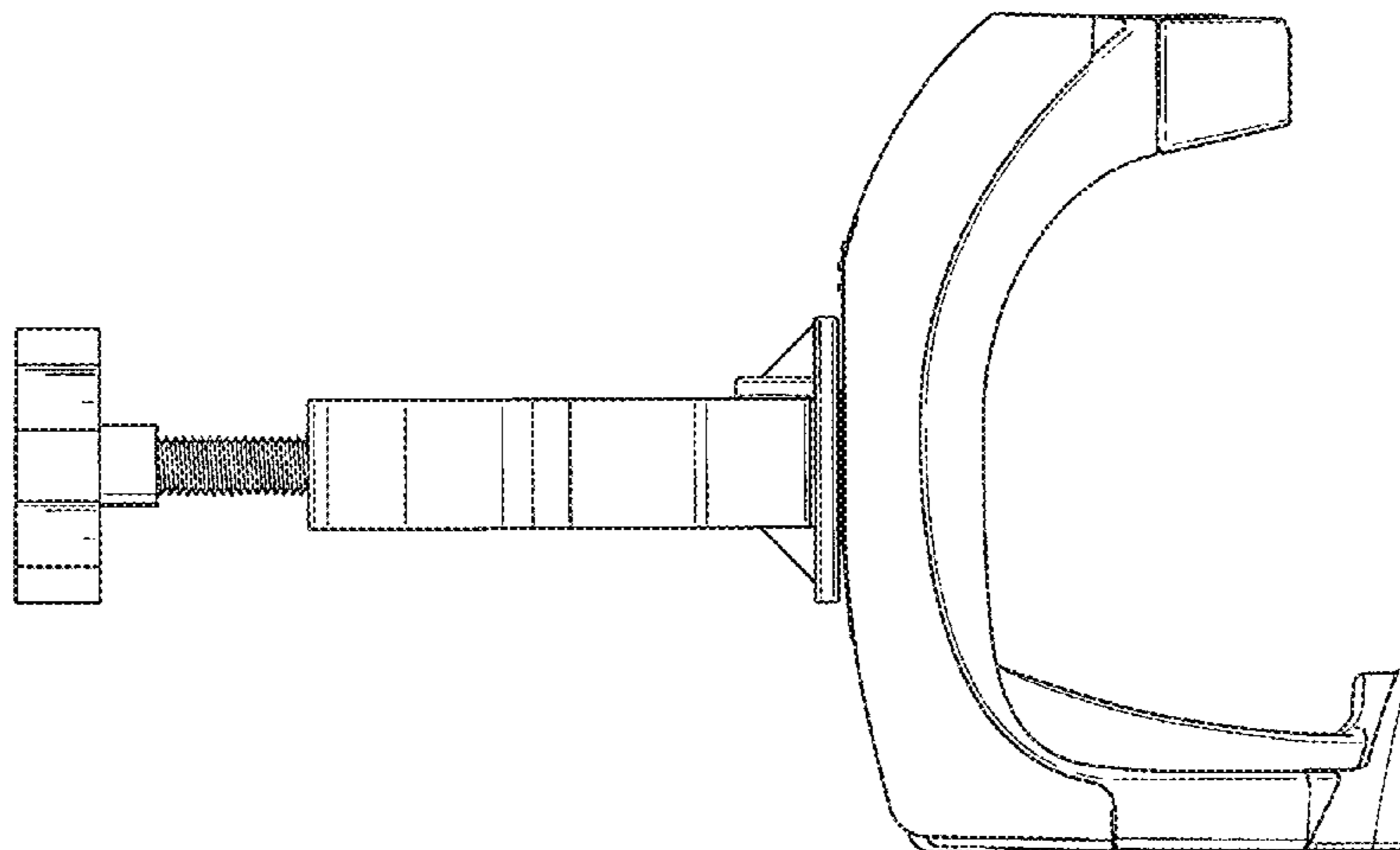
We claim the ornamental design for bottle holder, adapter and clamp assembly, as shown and described.

DESCRIPTION

FIG. 1 is a right-side elevational view of the bottle holder, adapter and clamp assembly of this invention;
FIG. 2 is a left-side elevational view thereof;
FIG. 3 is a top plan view thereof;
FIG. 4 is a bottom plan view thereof;
FIG. 5 is a front elevational view thereof;
FIG. 6 is a rear elevational view thereof;
FIG. 7 is a left-side elevational view of an alternative configuration thereof;
FIG. 8 is a left-side elevational view of another alternative configuration thereof; and,
FIG. 9 is a top plan view of yet another alternative configuration thereof.

In the drawings, the broken lines form no part of the design to be patented.

1 Claim, 9 Drawing Sheets



(56)

References Cited

U.S. PATENT DOCUMENTS

D711,731 S * 8/2014 Sugiura D8/396
D724,346 S * 3/2015 Lim et al. D6/553
2012/0181405 A1* 7/2012 Zlatic et al. 248/313

* cited by examiner

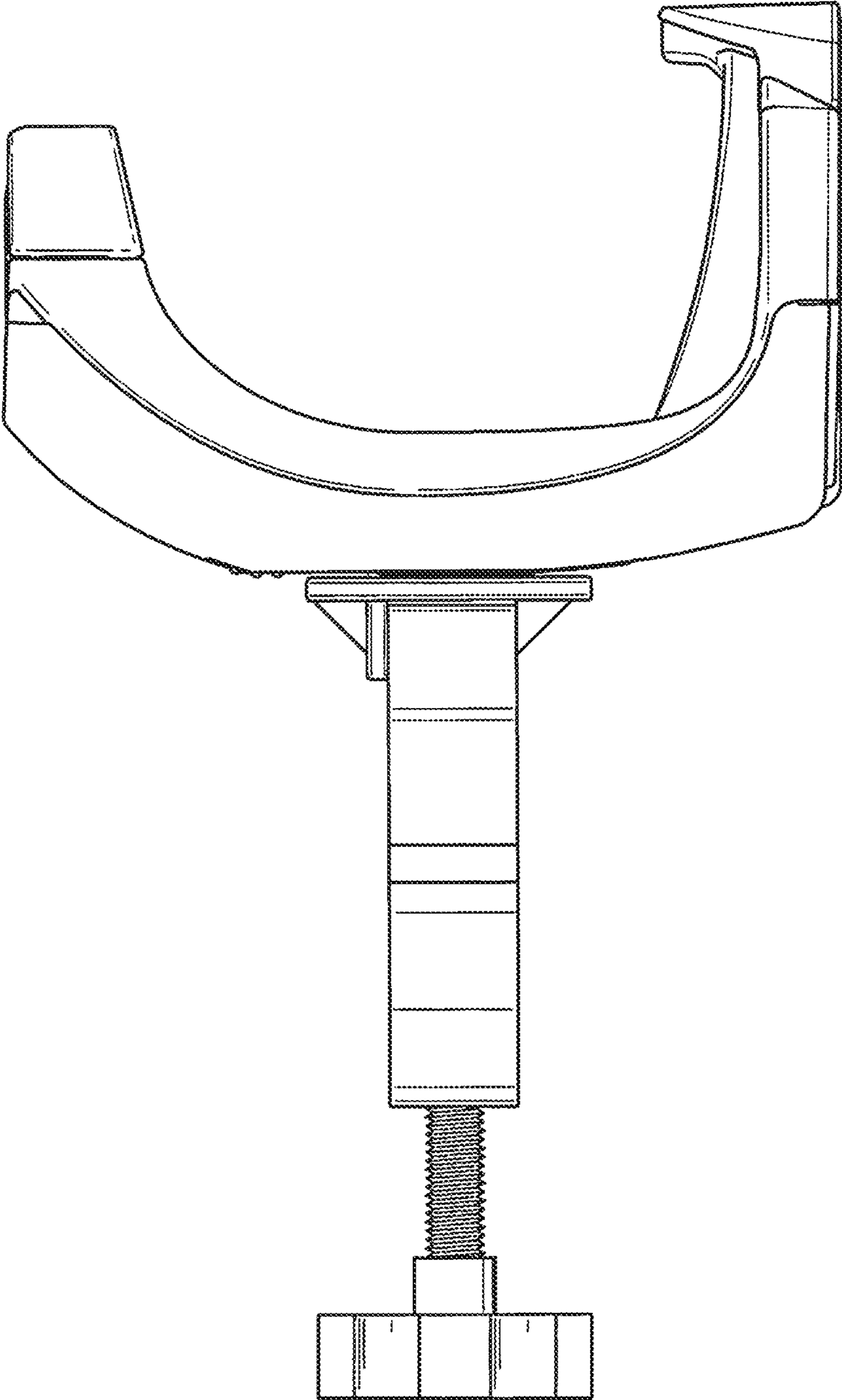


FIG. 1

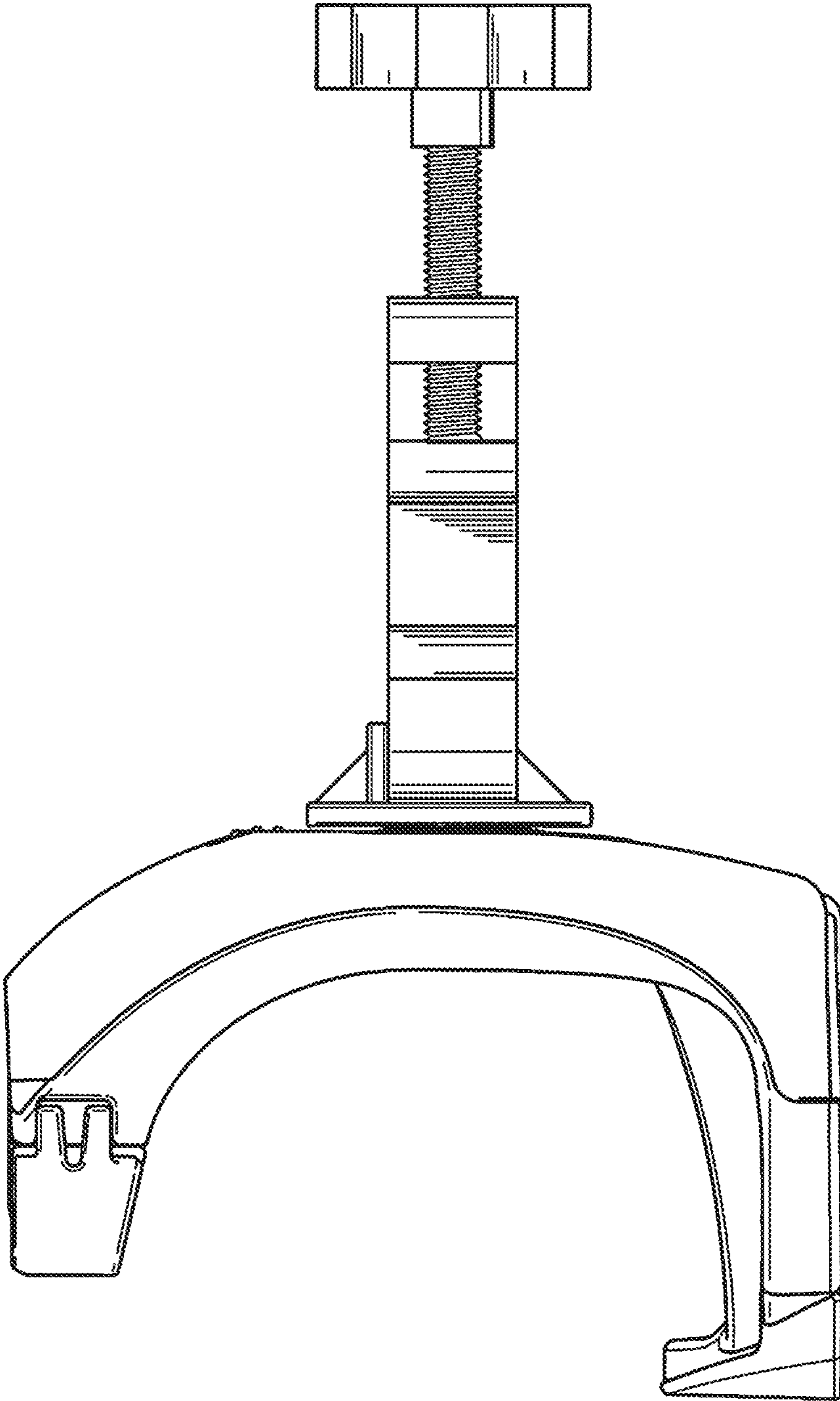


FIG. 2

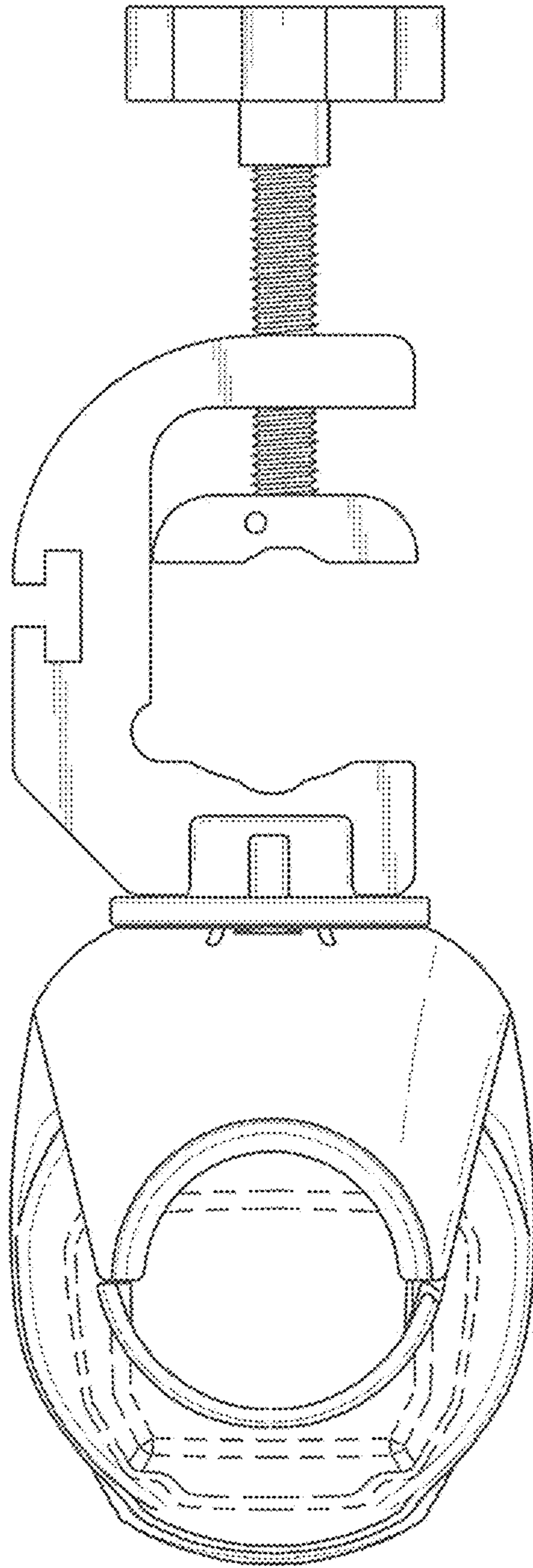


FIG. 3

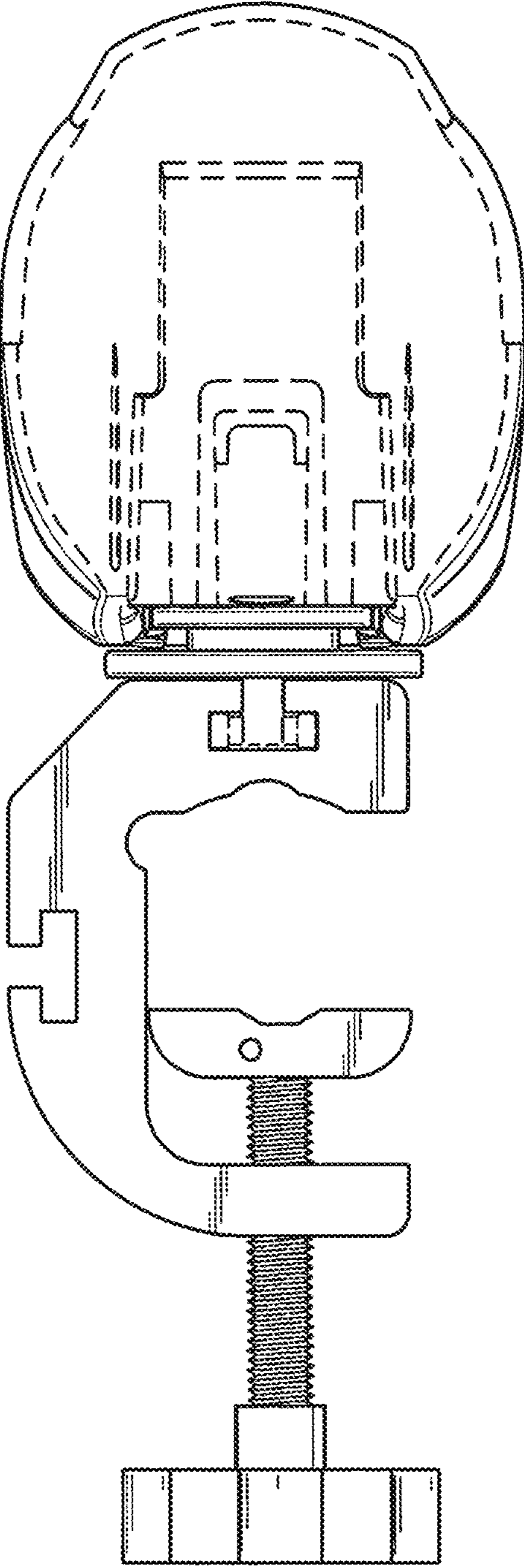


FIG. 4

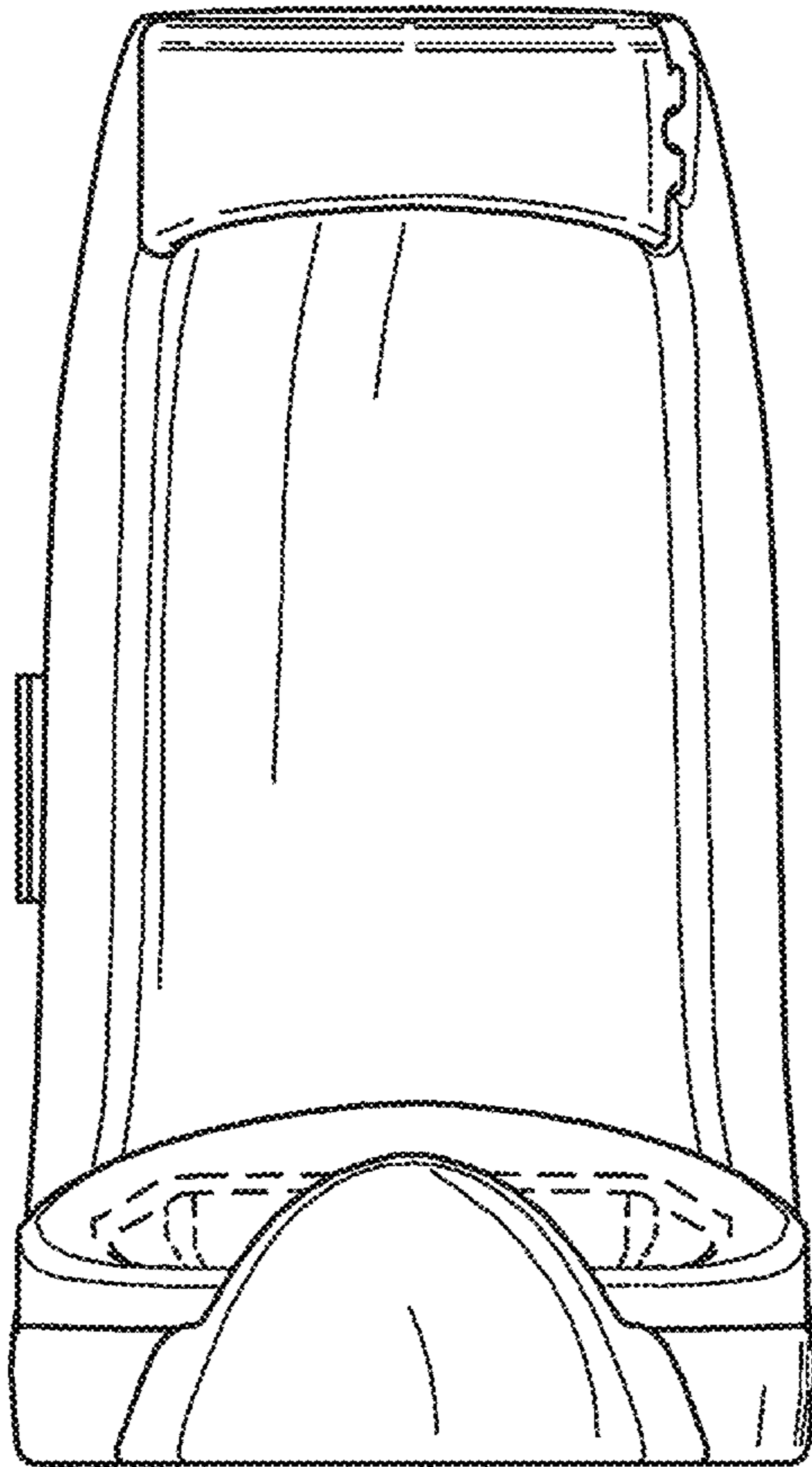


FIG. 5

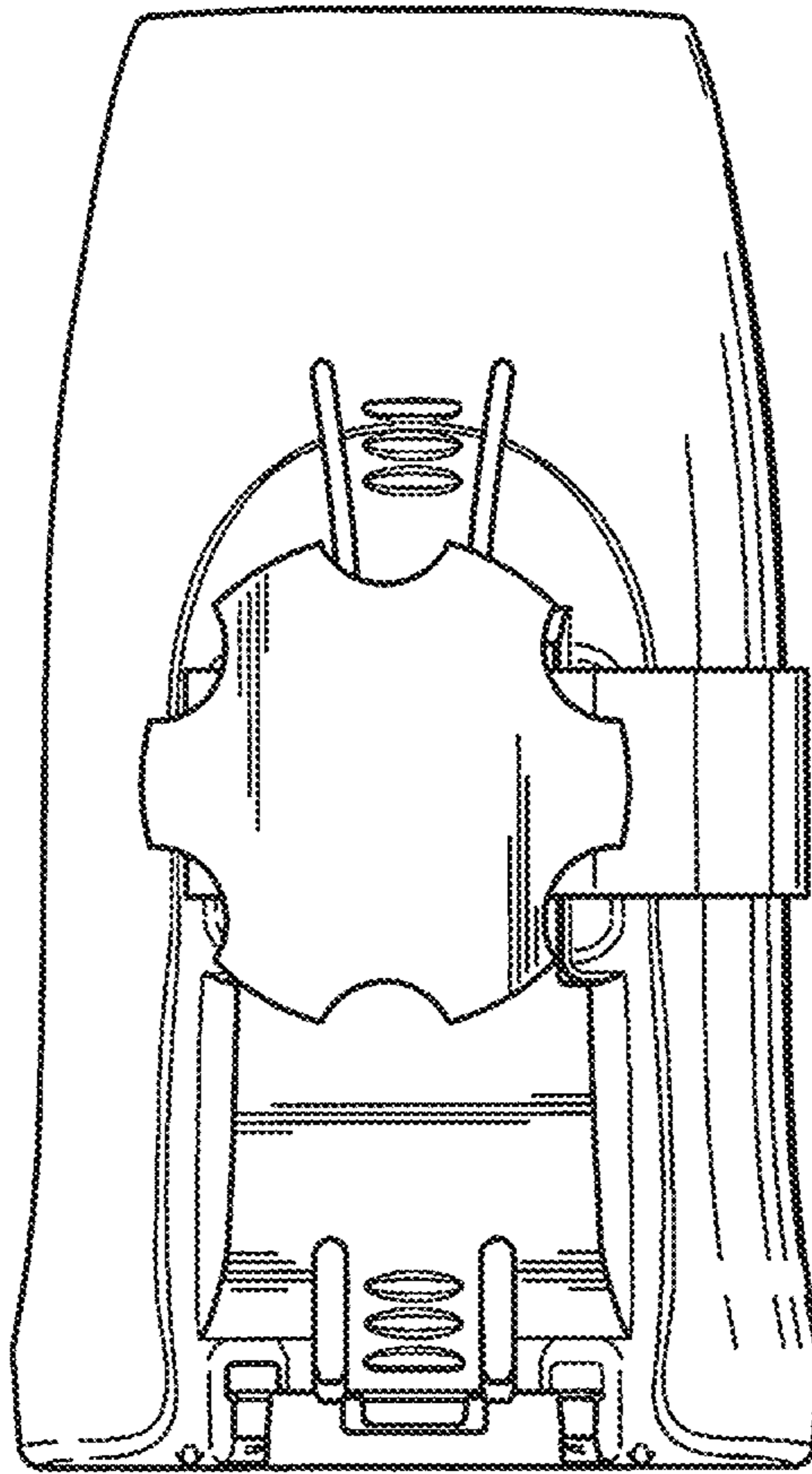


FIG. 6

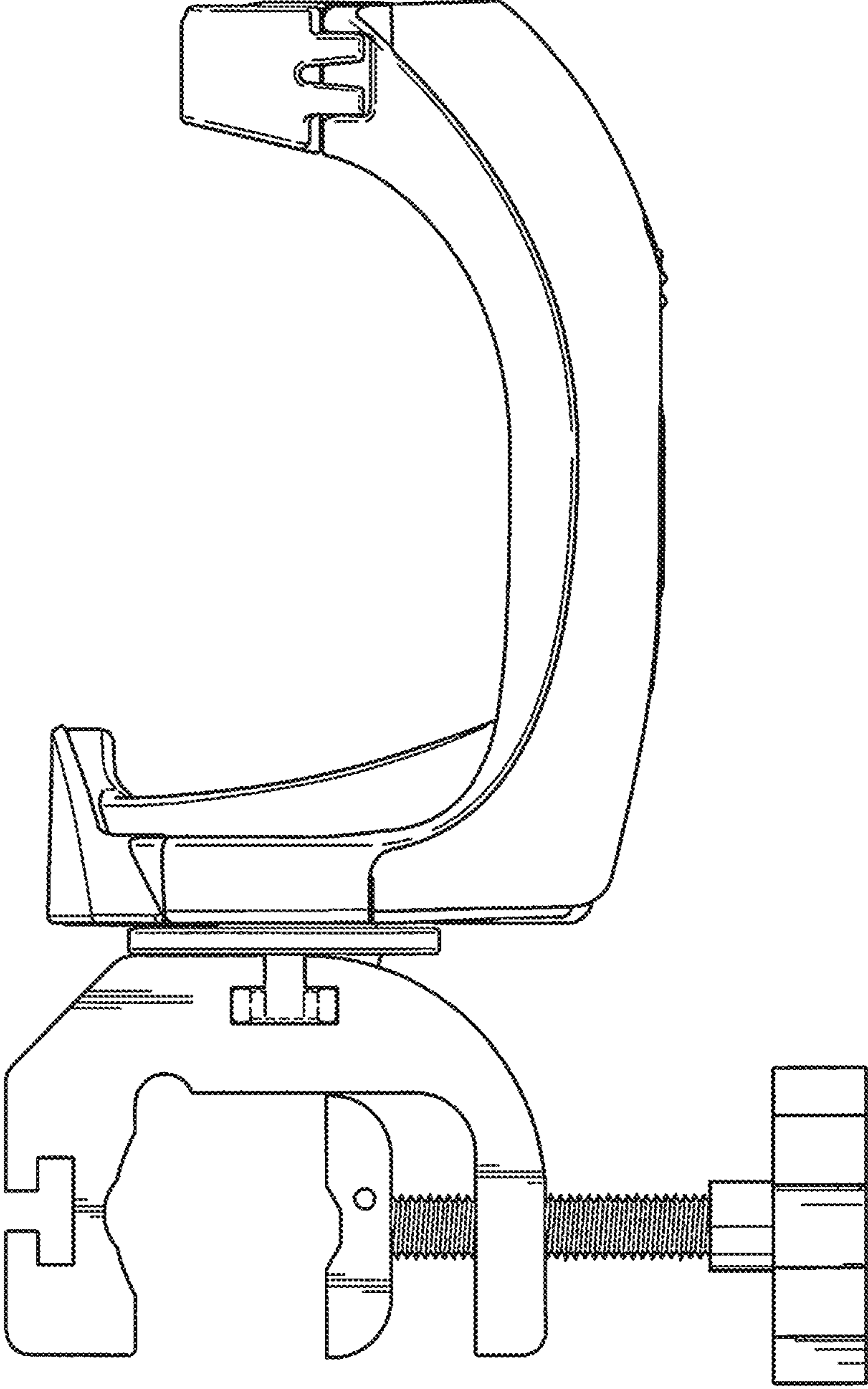


FIG. 7

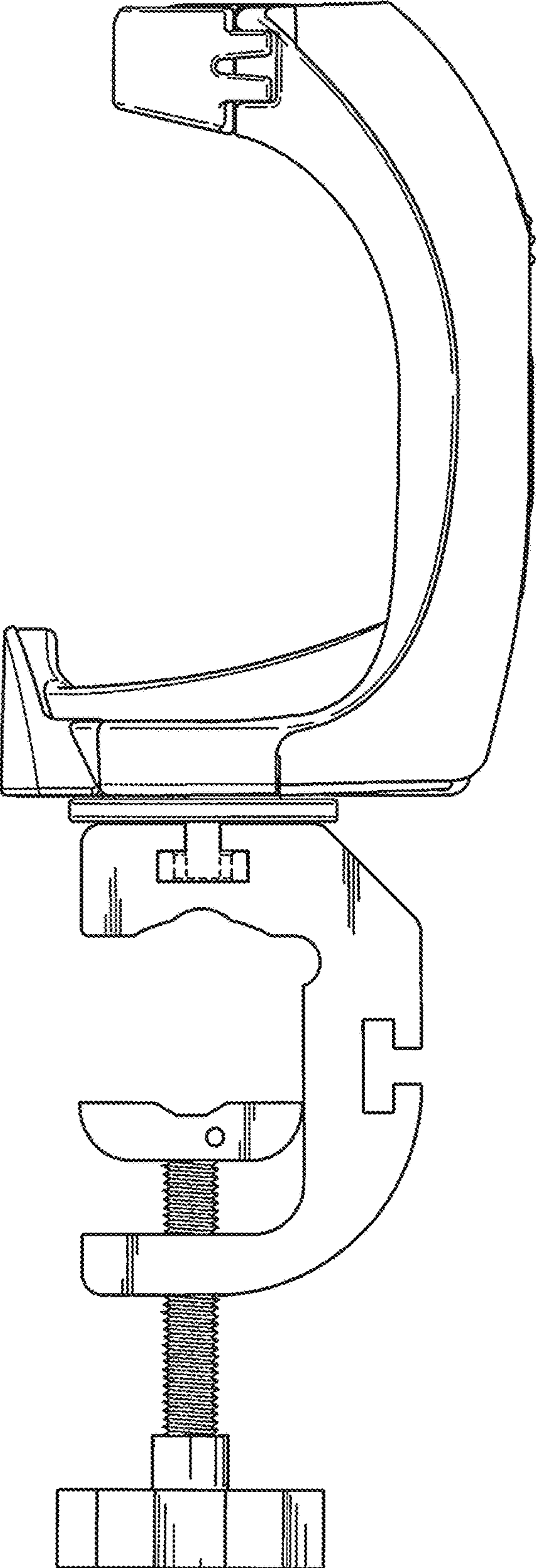


FIG. 8

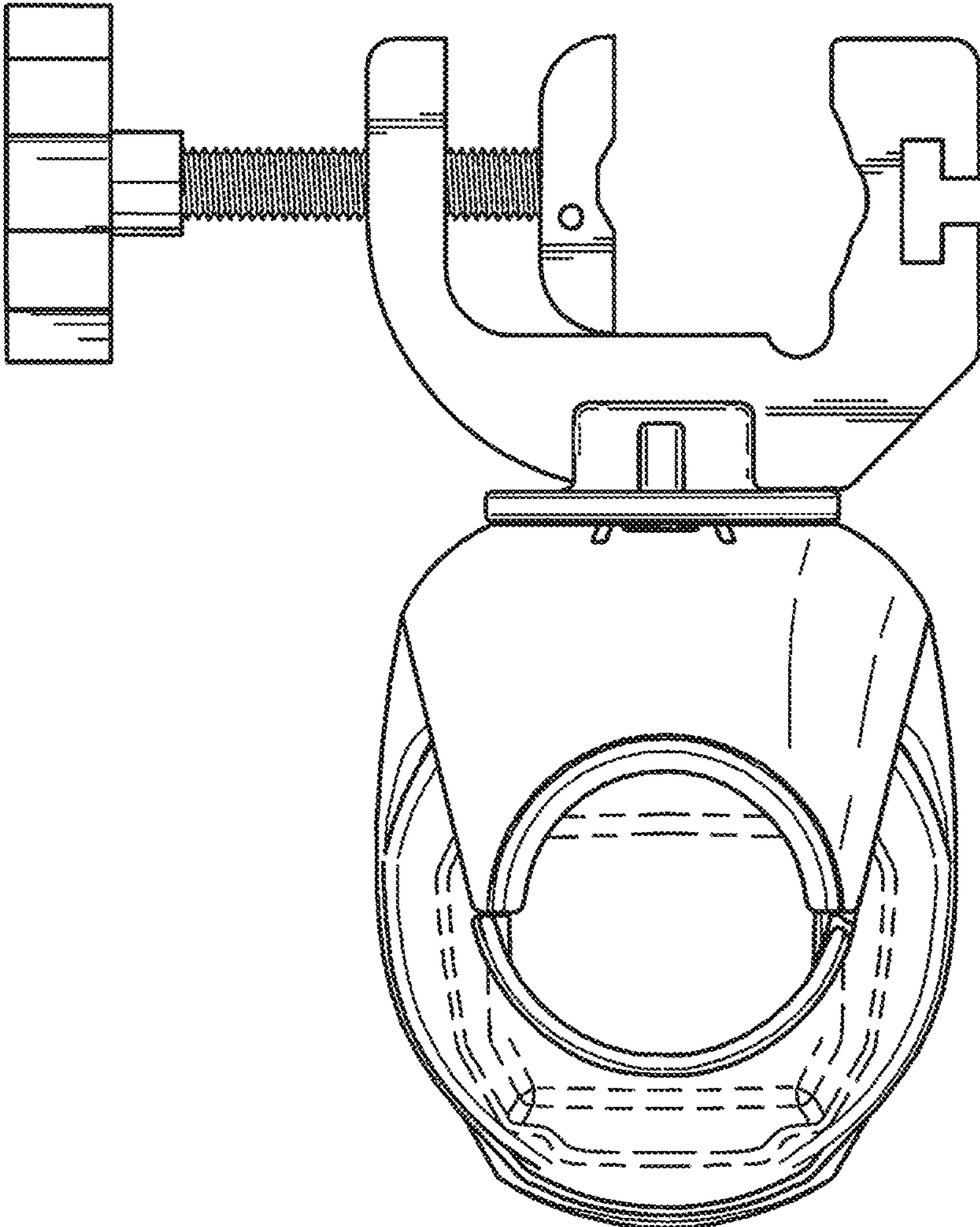


FIG. 9