



US00D777019S

(12) **United States Design Patent**
Yamazaki et al.

(10) **Patent No.:** **US D777,019 S**

(45) **Date of Patent:** **** Jan. 24, 2017**

(54) **CUSHION**

(71) Applicant: **DAIWA KASEI KOGYO**
KABUSHIKI KAISHA, Okazaki-shi,
Aichi-ken (JP)

(72) Inventors: **Takaaki Yamazaki**, Okazaki (JP);
Makoto Kato, Okazaki (JP)

(73) Assignee: **DAIWA KASEI KOGYO**
KABUSHIKI KAISHA, Okazaki-shi,
Aichi-ken (JP)

(**) Term: **14 Years**

(21) Appl. No.: **29/508,458**

(22) Filed: **Nov. 6, 2014**

(30) **Foreign Application Priority Data**

May 8, 2014 (JP) 2014-009860
May 8, 2014 (JP) 2014-009861

(51) **LOC (10) Cl.** **08-08**

(52) **U.S. Cl.**
USPC **D8/382**

(58) **Field of Classification Search**
USPC D8/382, 387, 394, 397, 499, 388, 389,
D8/395, 402
CPC E05F 5/022; F16F 1/44; F16F 7/00;
F16F 9/003; F16B 21/086; Y10T 16/6285;
Y10T 16/628

See application file for complete search history.

(56) **References Cited**

U.S. PATENT DOCUMENTS

5,549,271 A * 8/1996 Hamaekers F16F 7/00
248/562
D723,906 S * 3/2015 Kato D8/382
D752,952 S * 4/2016 Barz D8/349

2003/0088940 A1* 5/2003 Nakagaki E05F 5/022
16/86 R
2006/0272425 A1* 12/2006 Maeda B60R 13/0206
73/842
2007/0234527 A1* 10/2007 Aoyama E05F 5/022
24/297

(Continued)

Primary Examiner — Sandra Snapp

Assistant Examiner — Ieisha Price

(74) *Attorney, Agent, or Firm* — Ladas & Parry LLP

(57) **CLAIM**

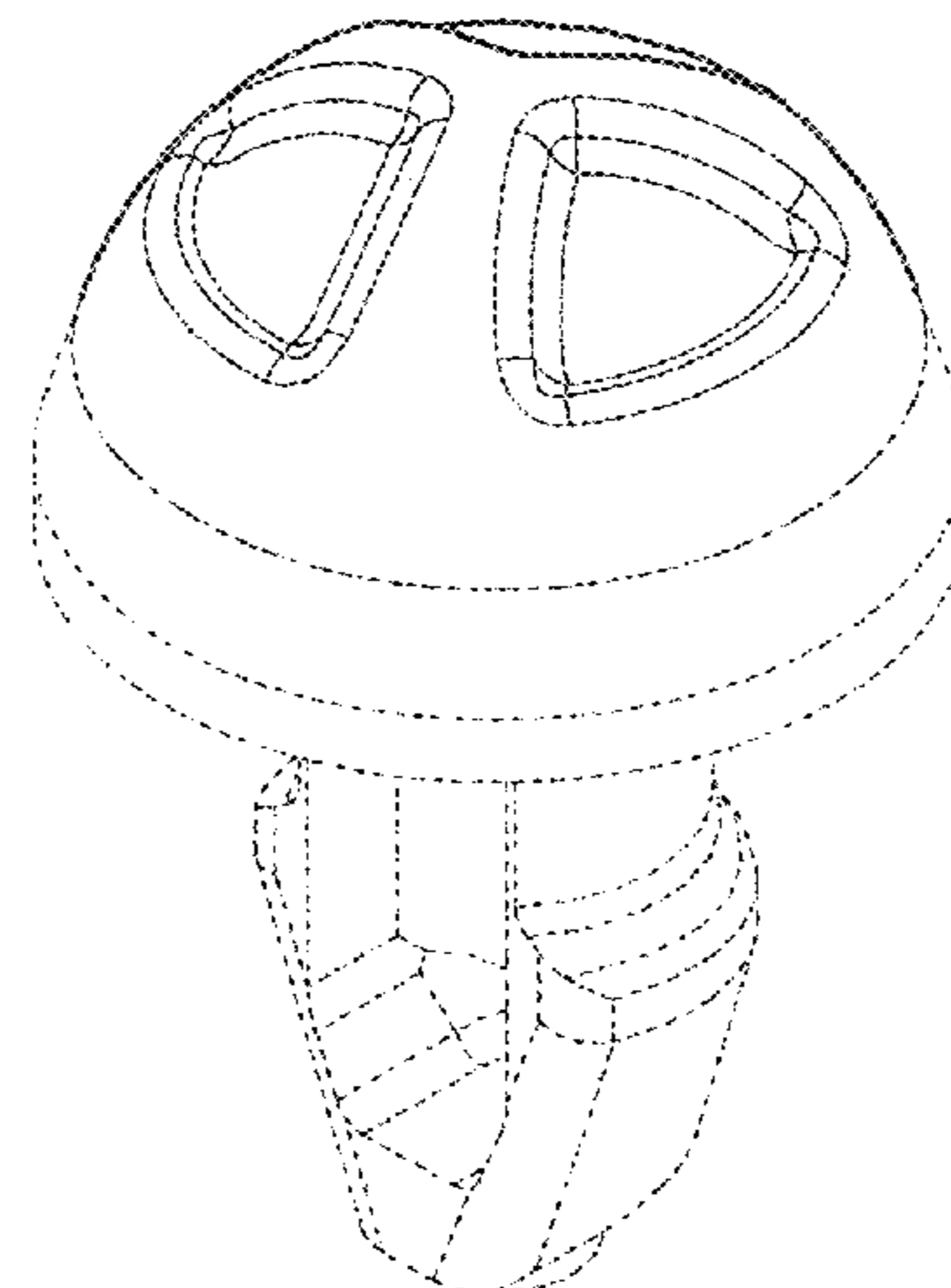
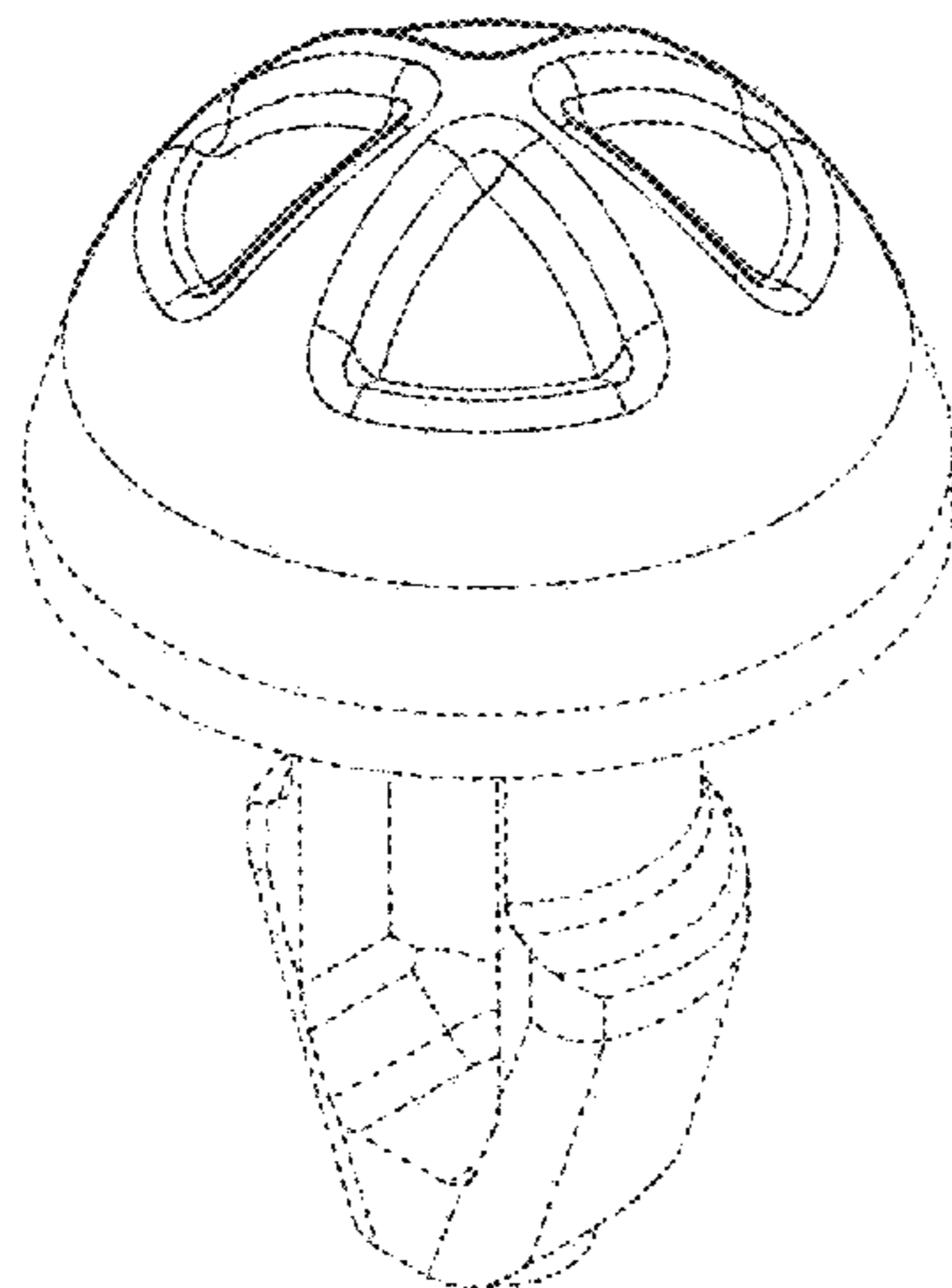
The ornamental design for a cushion, as shown and described.

DESCRIPTION

FIG. 1 is a perspective view of the first embodiment of a cushion showing our new design;
FIG. 2 is a front elevation view thereof;
FIG. 3 is a right side elevation view thereof;
FIG. 4 is a left side elevation view thereof;
FIG. 5 is a top plan view thereof;
FIG. 6 is a bottom plan view thereof;
FIG. 7 is a sectional view taken along line 7-7 in FIG. 5;
FIG. 8 is a perspective view of a second embodiment of the cushion shown in FIG. 1;
FIG. 9 is a front elevation view thereof;
FIG. 10 is a rear elevation view thereof;
FIG. 11 is a right side elevation view thereof;
FIG. 12 is a left side elevation view thereof;
FIG. 13 is a top plan view thereof;
FIG. 14 is a bottom plan view thereof; and,
FIG. 15 is a sectional view taken along line 15-15 in FIG. 9.
The evenly spaced broken lines shown in the drawings illustrate portions of the cushion, and form no part of the claimed design.

The dot-dash-dot lines shown in the drawings define the bounds of the claim, and form no part thereof.

1 Claim, 8 Drawing Sheets



(56)

References Cited

U.S. PATENT DOCUMENTS

2010/0192335	A1 *	8/2010	Ukai	F16F 1/373 24/591.1
2011/0030177	A1 *	2/2011	Ukai	F16B 21/086 24/458
2011/0167590	A1 *	7/2011	Ukai	E05F 5/022 16/85
2011/0283490	A1 *	11/2011	Sugiyama	F16F 1/371 24/457
2012/0246896	A1 *	10/2012	Kaji	E05F 5/022 24/682.1
2013/0219658	A1 *	8/2013	Krajewski	E05F 5/022 16/82
2014/0196261	A1 *	7/2014	Kamiya	E05F 5/022 24/591.1

* cited by examiner

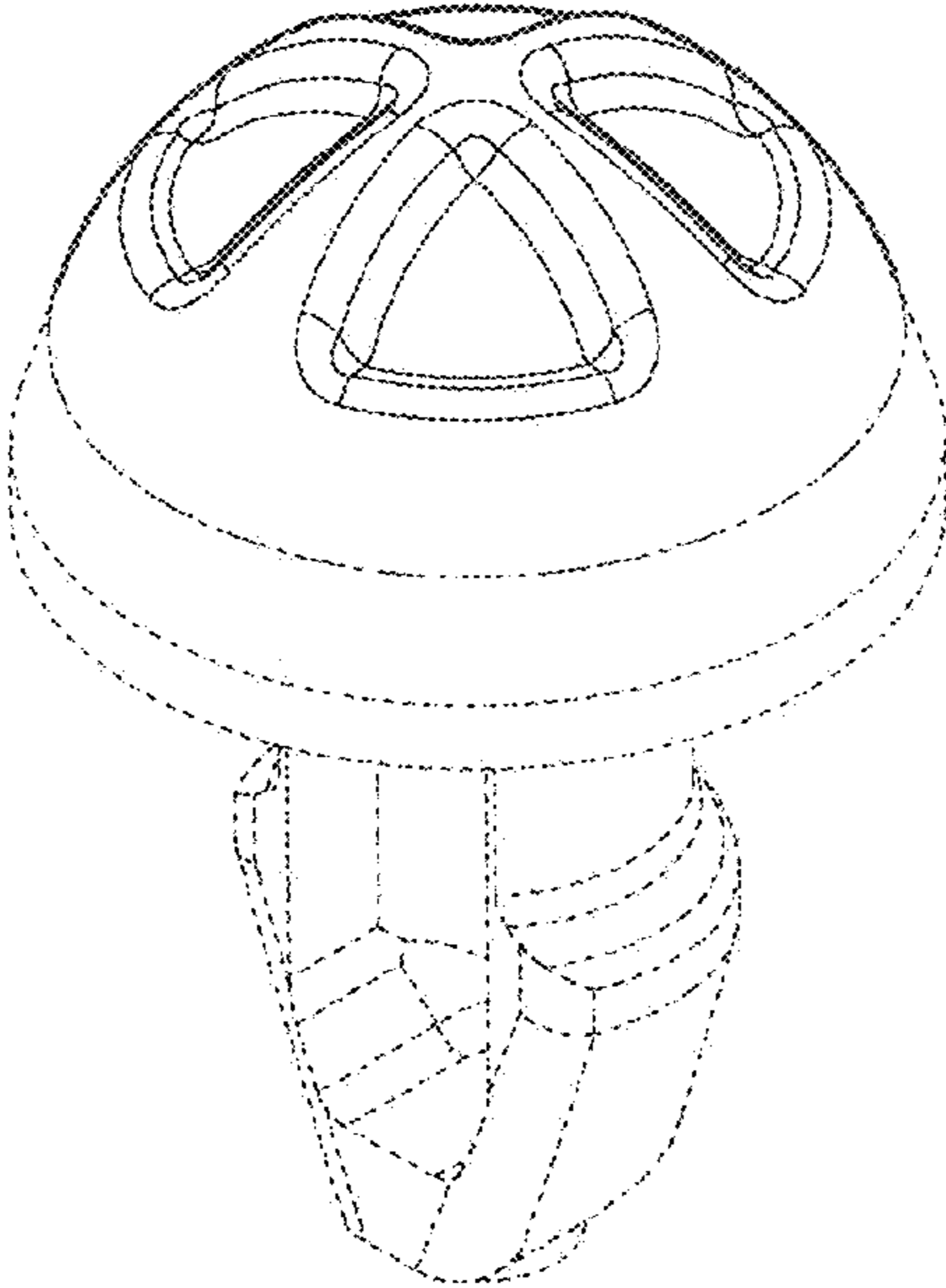


FIG. 1

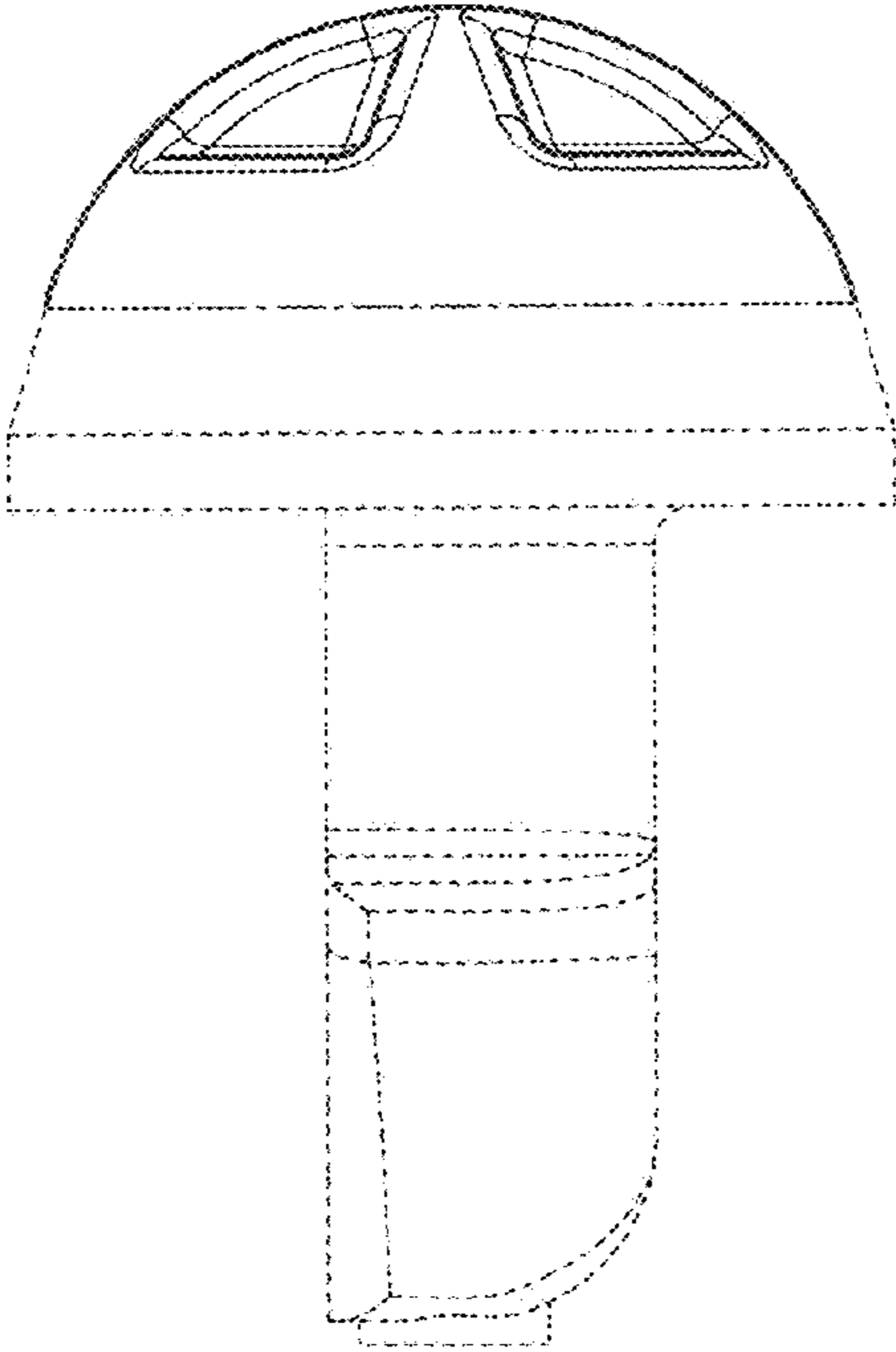


FIG. 2

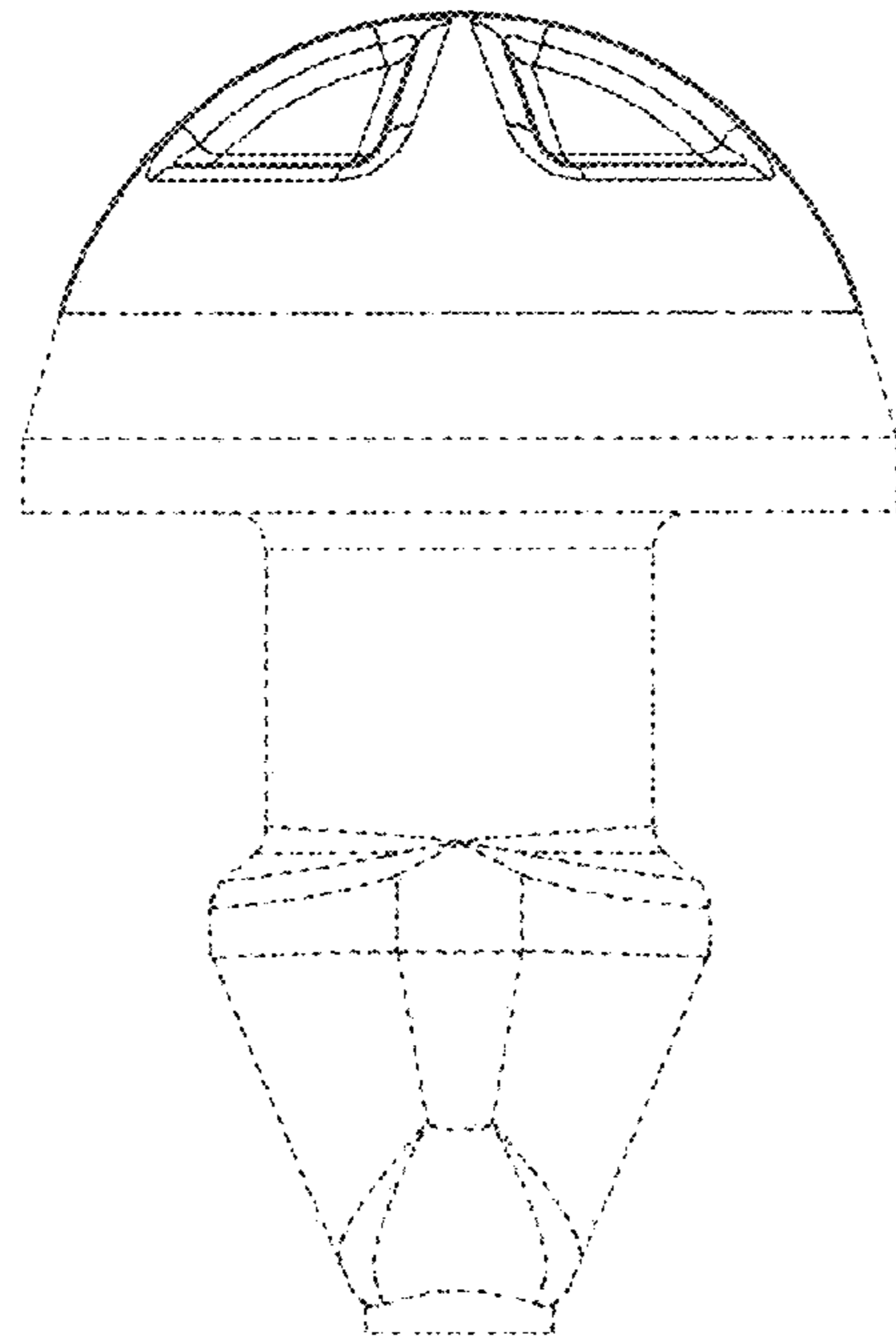


FIG. 3

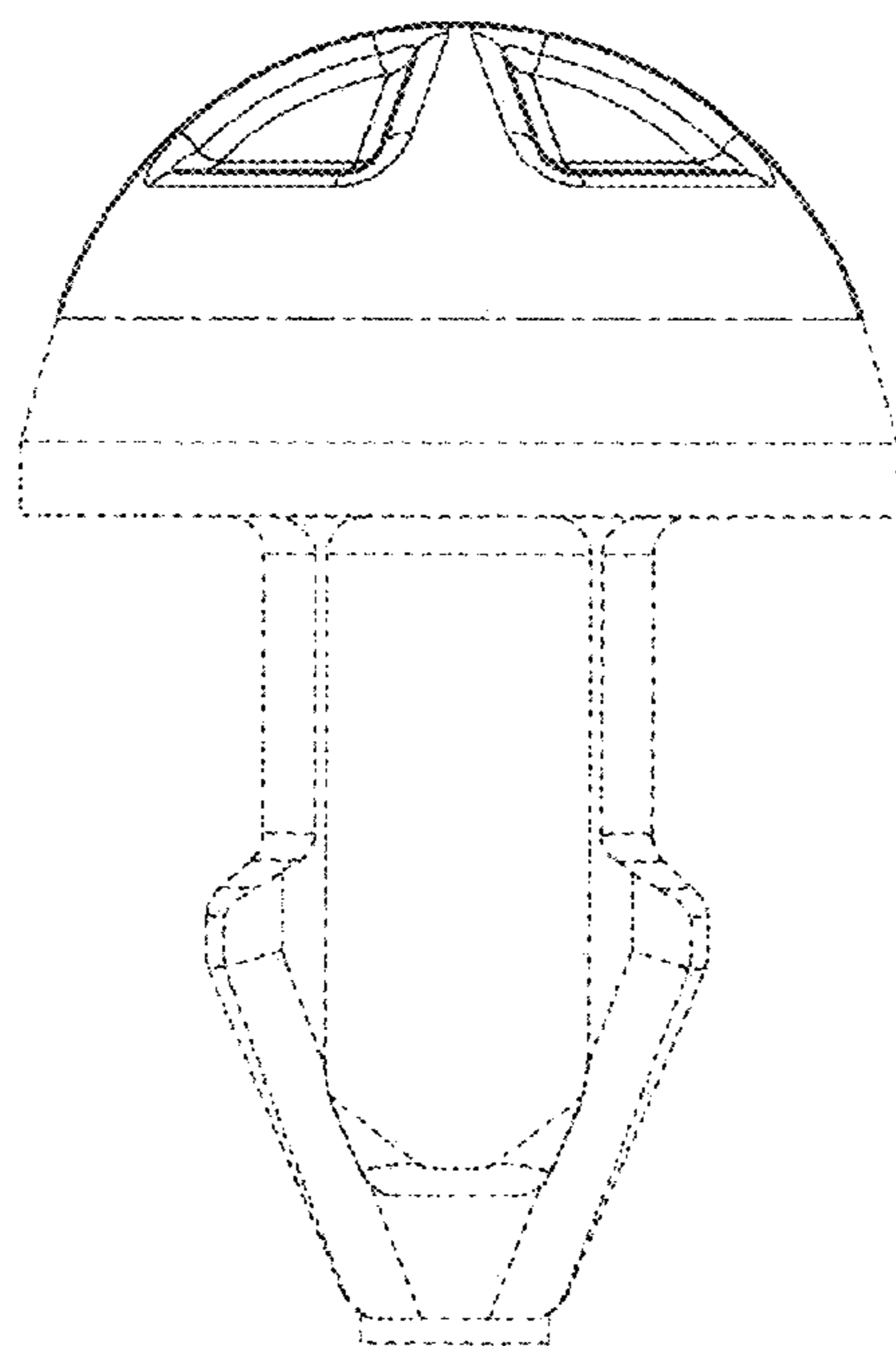


FIG. 4

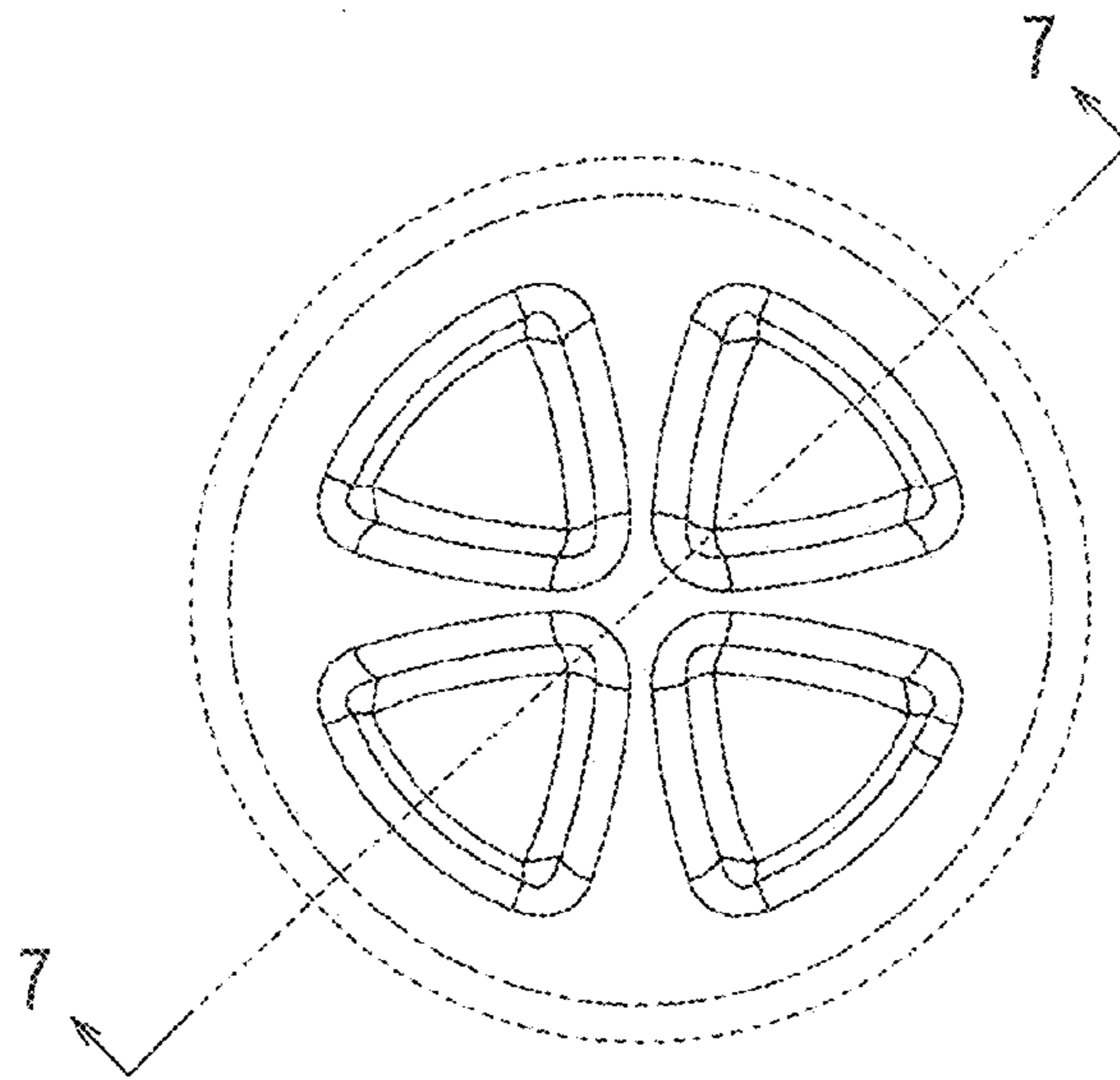


FIG. 5

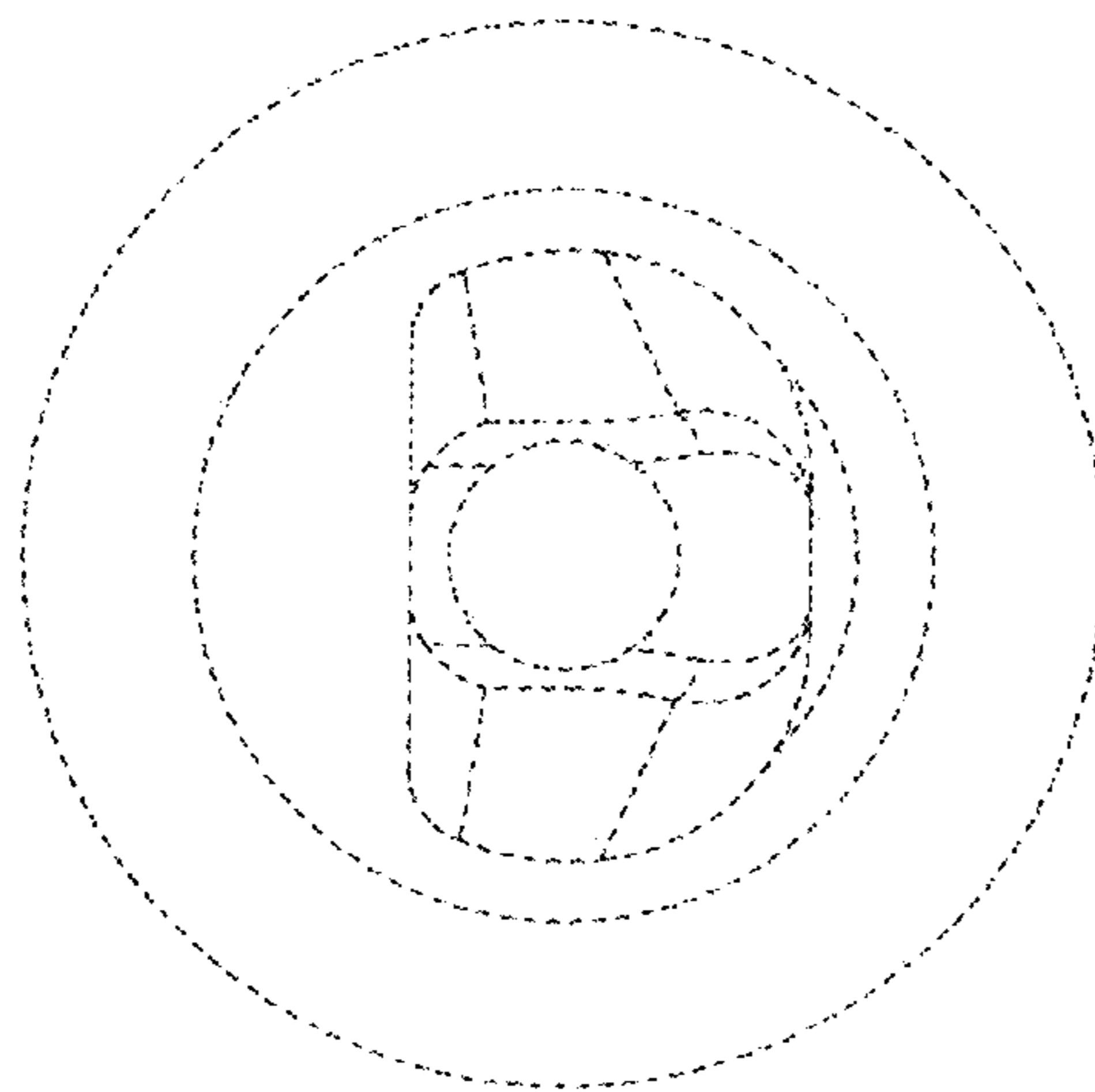


FIG. 6

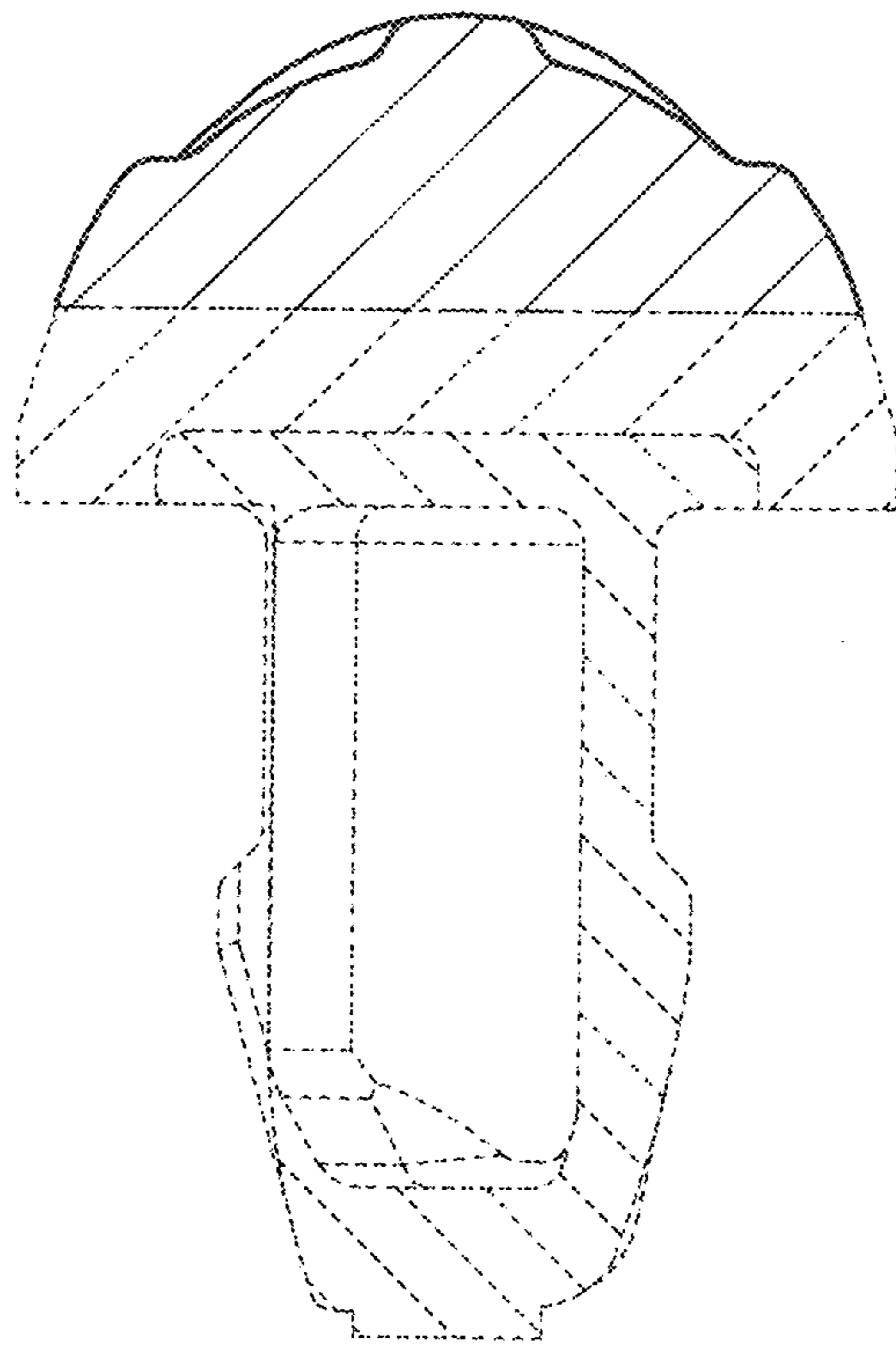


FIG. 7

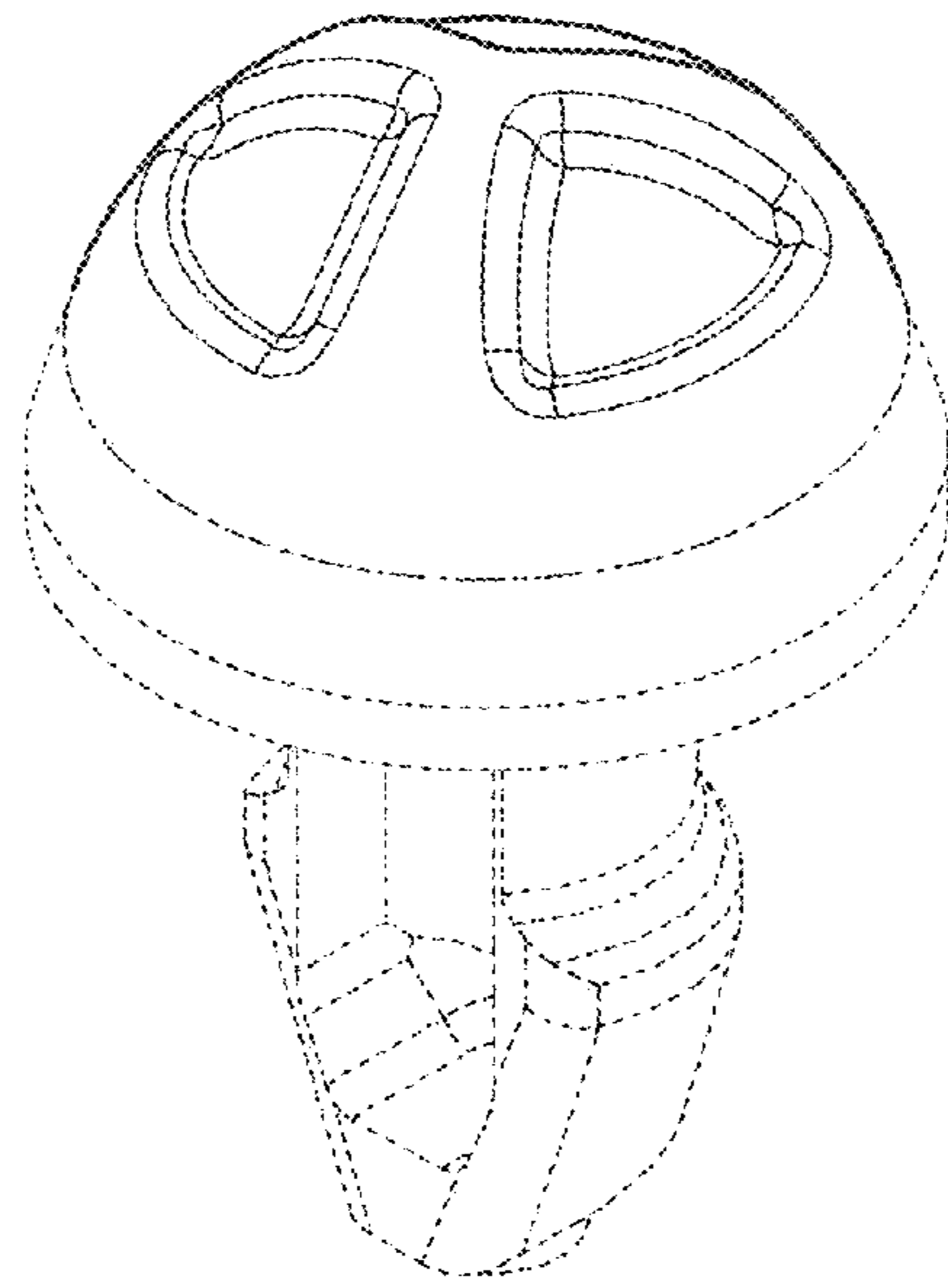


FIG. 8

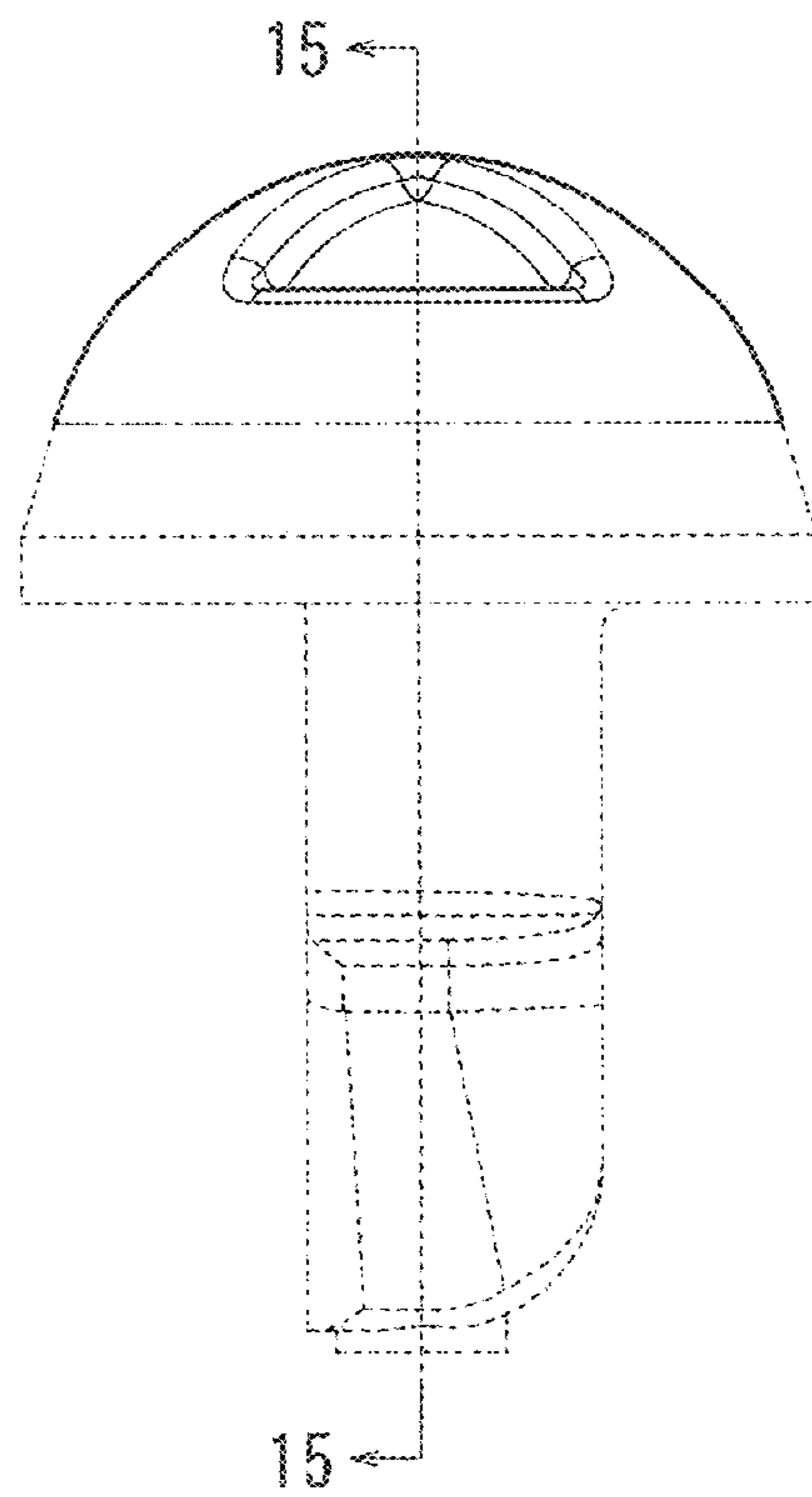


FIG. 9

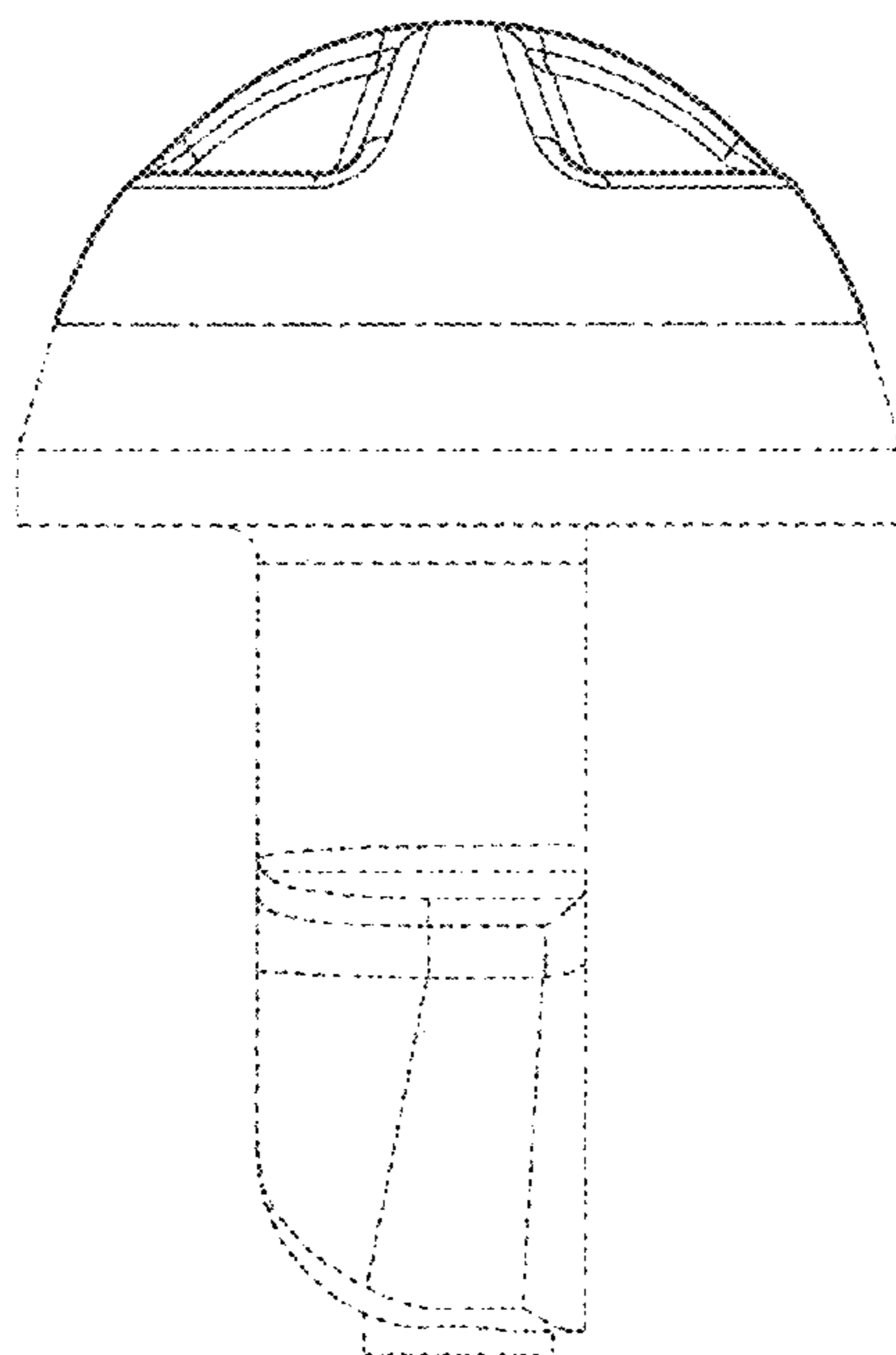


FIG. 10

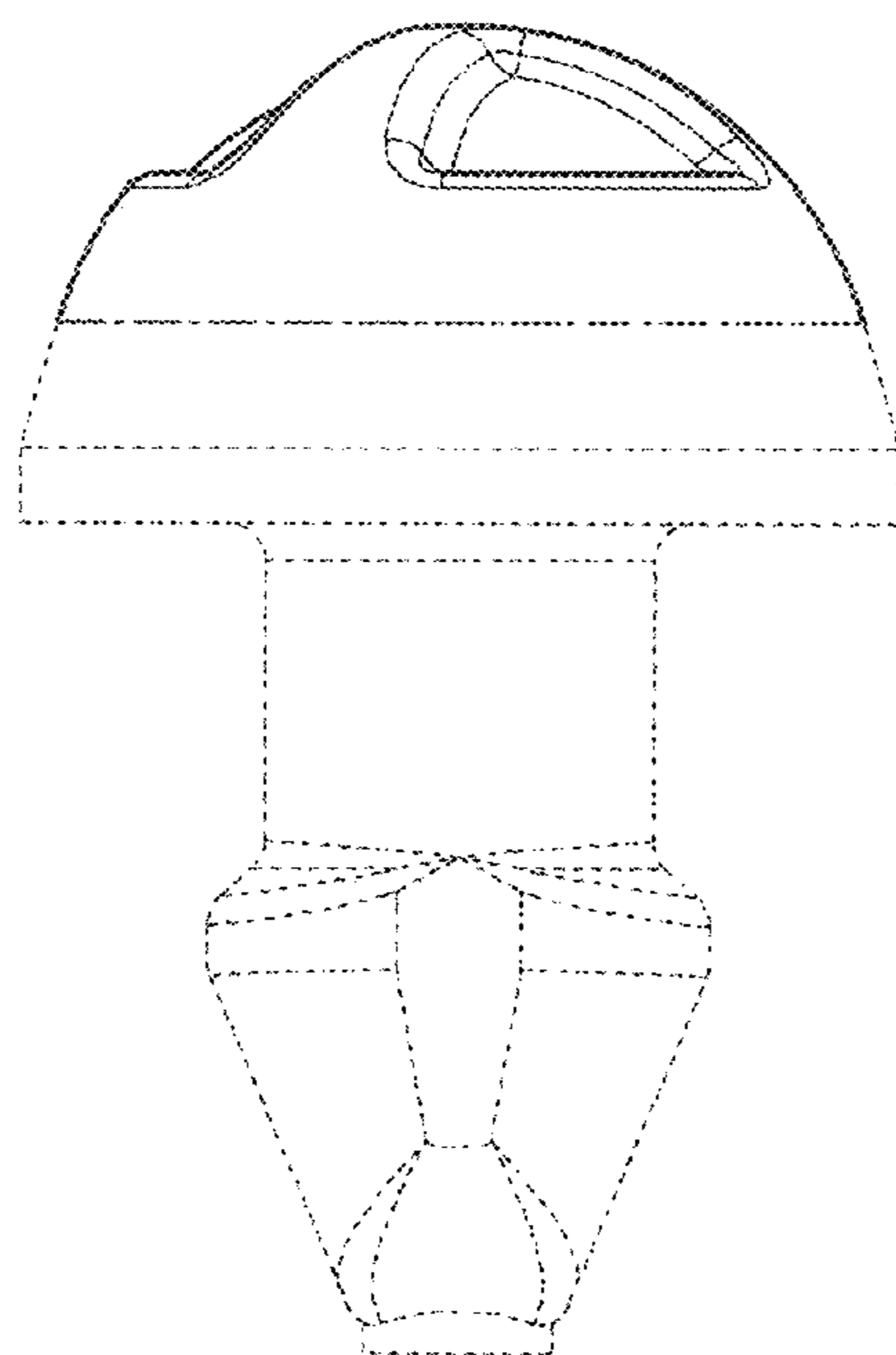


FIG. 11

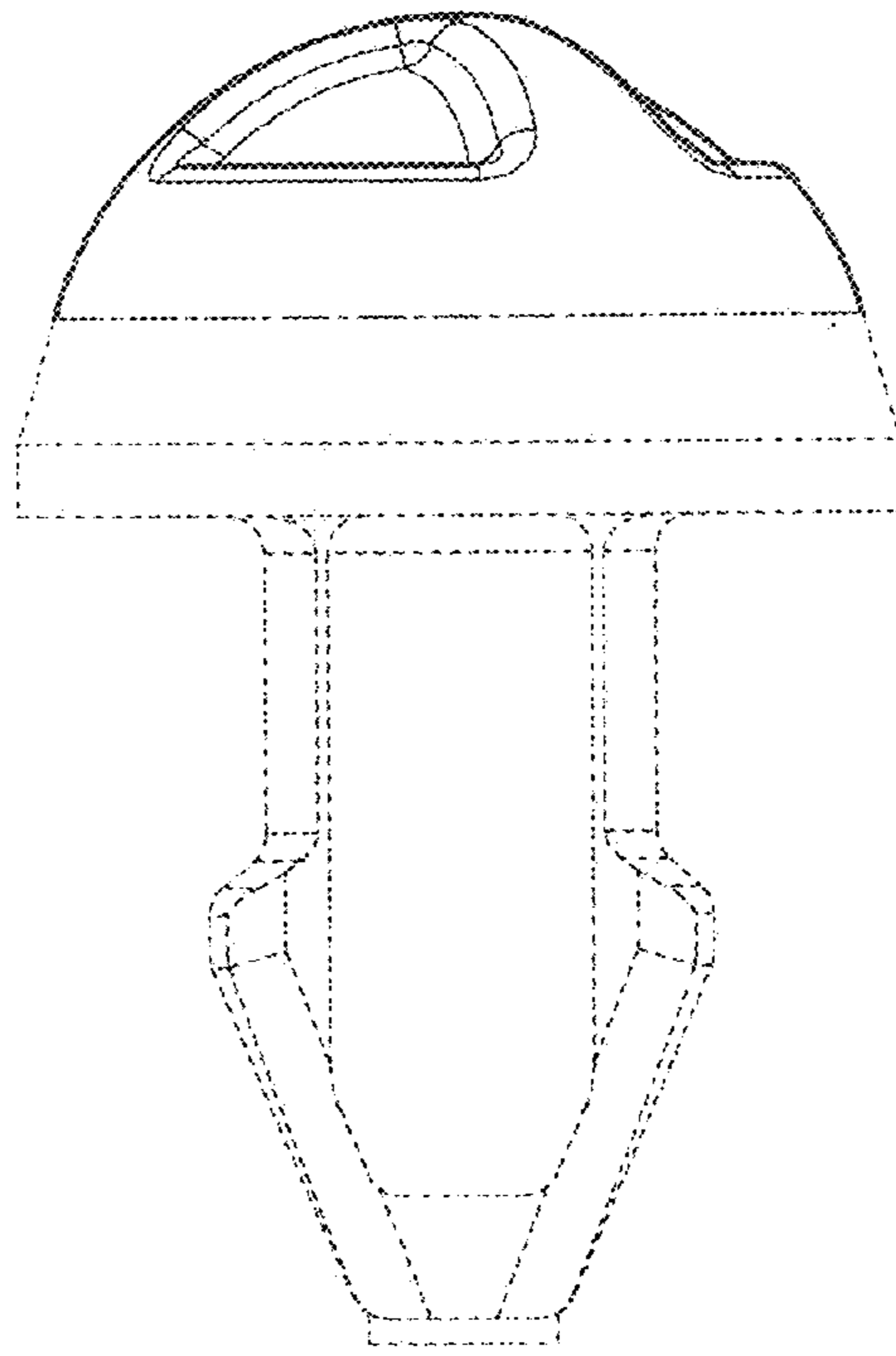


FIG. 12

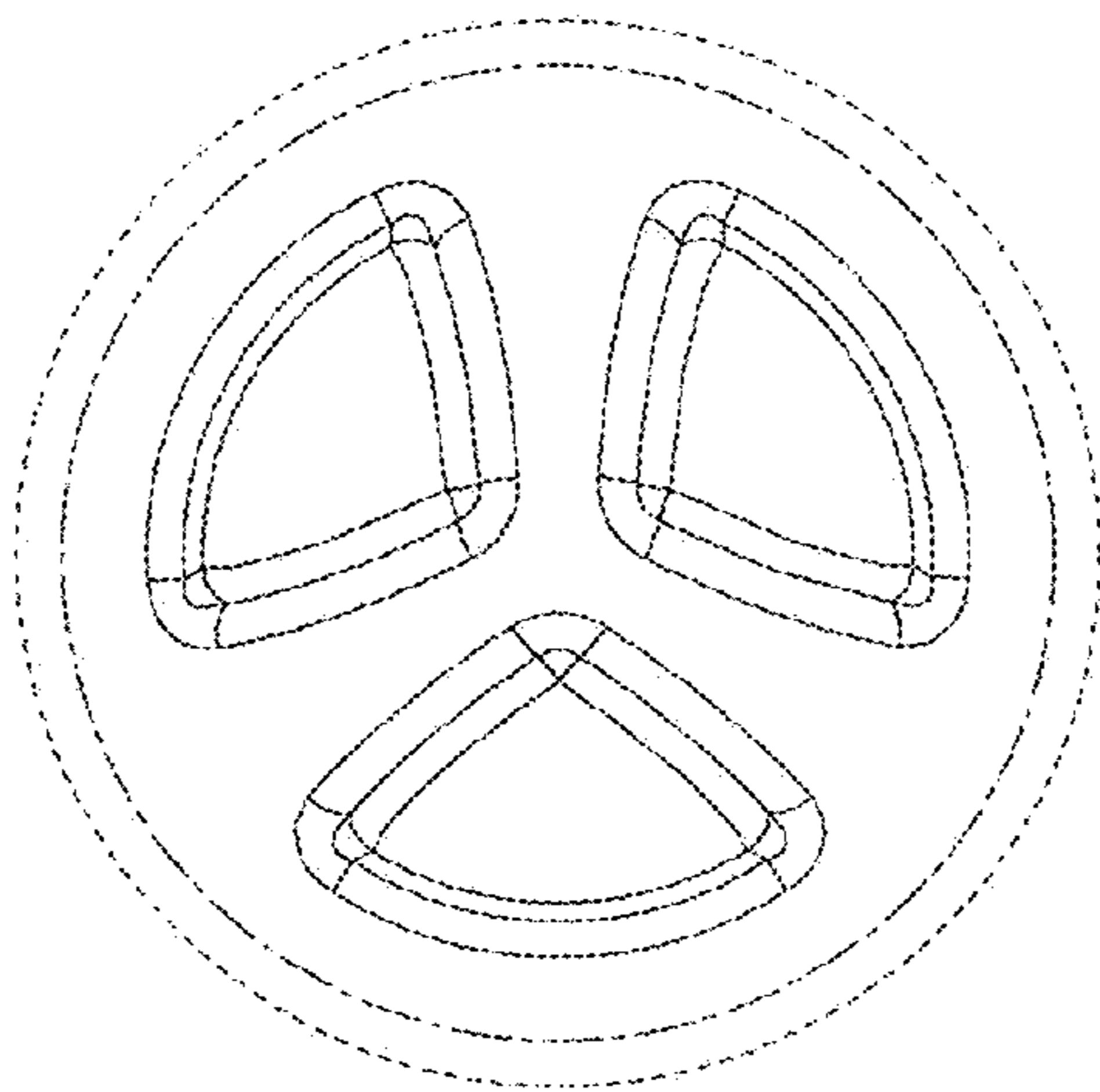


FIG. 13

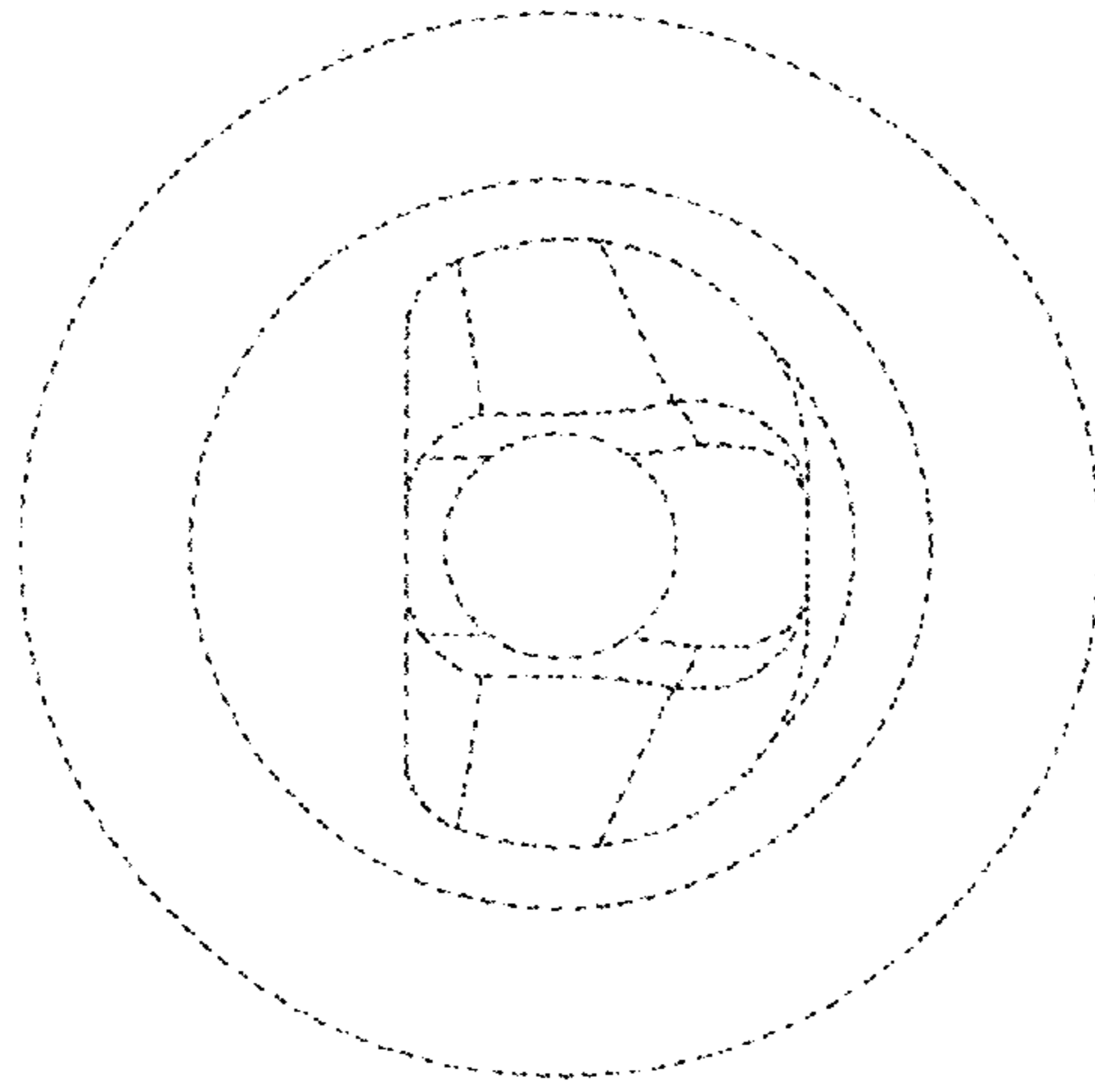


FIG. 14

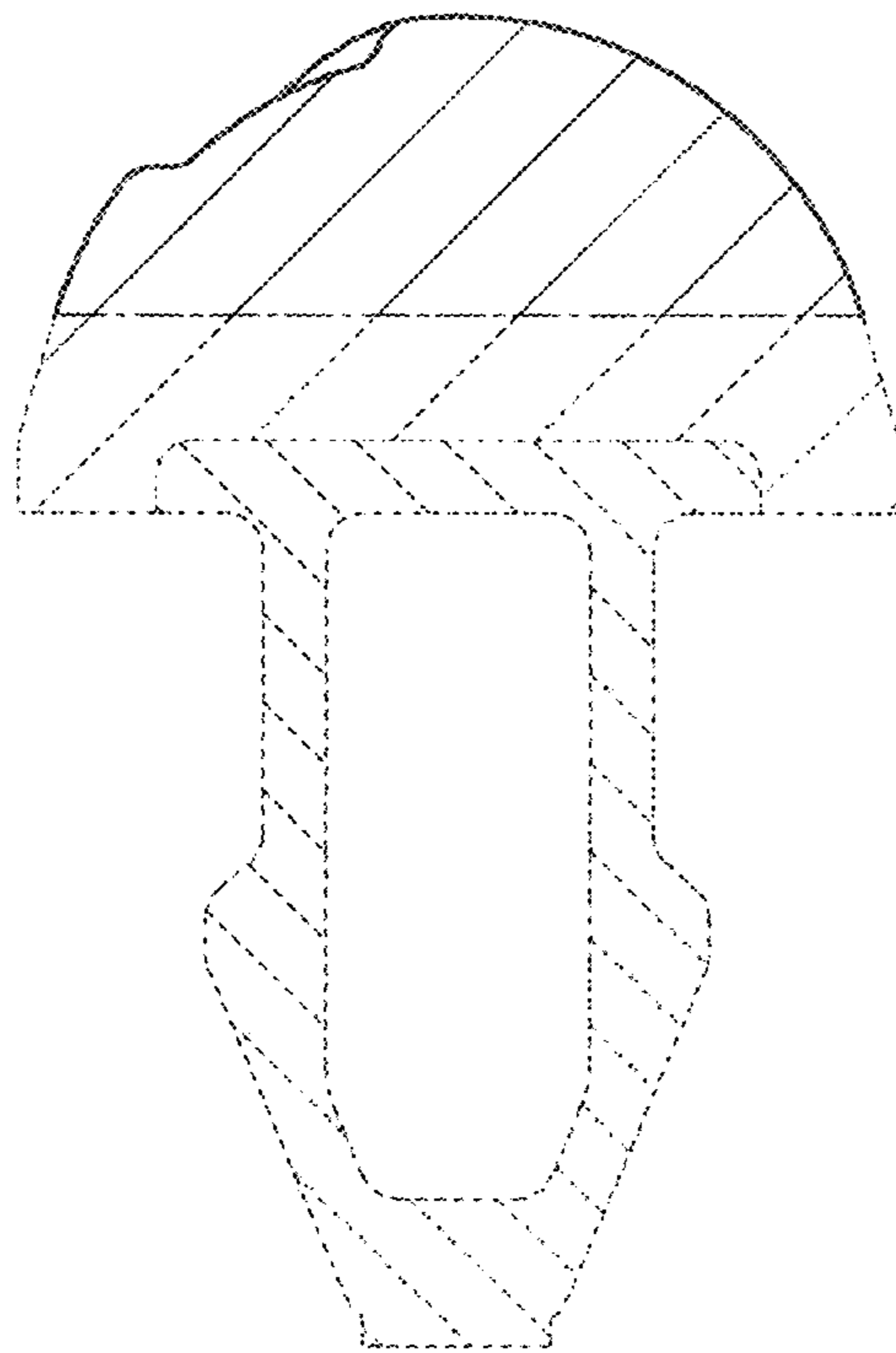


FIG. 15