



US00D777018S

(12) **United States Design Patent**  
**Boehnen et al.**

(10) **Patent No.:** **US D777,018 S**  
(45) **Date of Patent:** **\*\* Jan. 24, 2017**

(54) **CARTON DIVIDER**

(71) Applicant: **Liberty Hardware Mfg. Corp.**,  
Winston-Salem, NC (US)

(72) Inventors: **Patrick William Boehnen**,  
Summerfield, NC (US); **Matthew  
Klein**, Apex, NC (US)

(73) Assignee: **Liberty Hardware Mfg. Corp.**,  
Winston-Salem, NC (US)

(\*\*) Term: **14 Years**

(21) Appl. No.: **29/520,313**

(22) Filed: **Mar. 13, 2015**

(51) **LOC (10) Cl.** ..... **08-05**

(52) **U.S. Cl.**  
USPC ..... **D8/381**

(58) **Field of Classification Search**  
USPC ..... D8/381, 380; 248/235, 237, 242, 245,  
248/249

(Continued)

(56) **References Cited**

**U.S. PATENT DOCUMENTS**

D43,274 S \* 11/1912 Goodwin ..... D6/349  
1,841,620 A 1/1932 McCoy

(Continued)

**FOREIGN PATENT DOCUMENTS**

GB 827312 3/1958  
JP 2001095657 A 4/2001

**OTHER PUBLICATIONS**

[www.thermatru.com/trade-professional/doorgallerydisplays.aspx](http://www.thermatru.com/trade-professional/doorgallerydisplays.aspx),  
“Door Gallery Displays”, Jul. 10, 2010, 31 pages.

(Continued)

*Primary Examiner* — Lakiya Rogers

*Assistant Examiner* — Harold Blackwell, II

(74) *Attorney, Agent, or Firm* — Lora J. Graentzdoerffer

(57) **CLAIM**

The ornamental design for a carton divider, as shown and described.

**DESCRIPTION**

FIG. 1 is a perspective view of a carton divider showing our design;

FIG. 2 is a front elevation view;

FIG. 3 is a rear elevation view;

FIG. 4 is a top plan view;

FIG. 5 is a bottom plan view;

FIG. 6 is a left side elevation view; where the right side elevation view is a mirror image thereof;

FIG. 7 is a perspective view of a second embodiment;

FIG. 8 is a front elevation view of the embodiment of FIG. 7;

FIG. 9 is a rear elevation view of the embodiment of FIG. 7;

FIG. 10 is a top plan view of the embodiment of FIG. 7;

FIG. 11 is a bottom plan view of the embodiment of FIG. 7;

FIG. 12 is a left side elevation view of the embodiment of FIG. 7; where the right side elevation view is a mirror image thereof;

FIG. 13 is a perspective view of a third embodiment;

FIG. 14 is a front elevation view of the embodiment of FIG. 13;

FIG. 15 is a rear elevation view of the embodiment of FIG. 13;

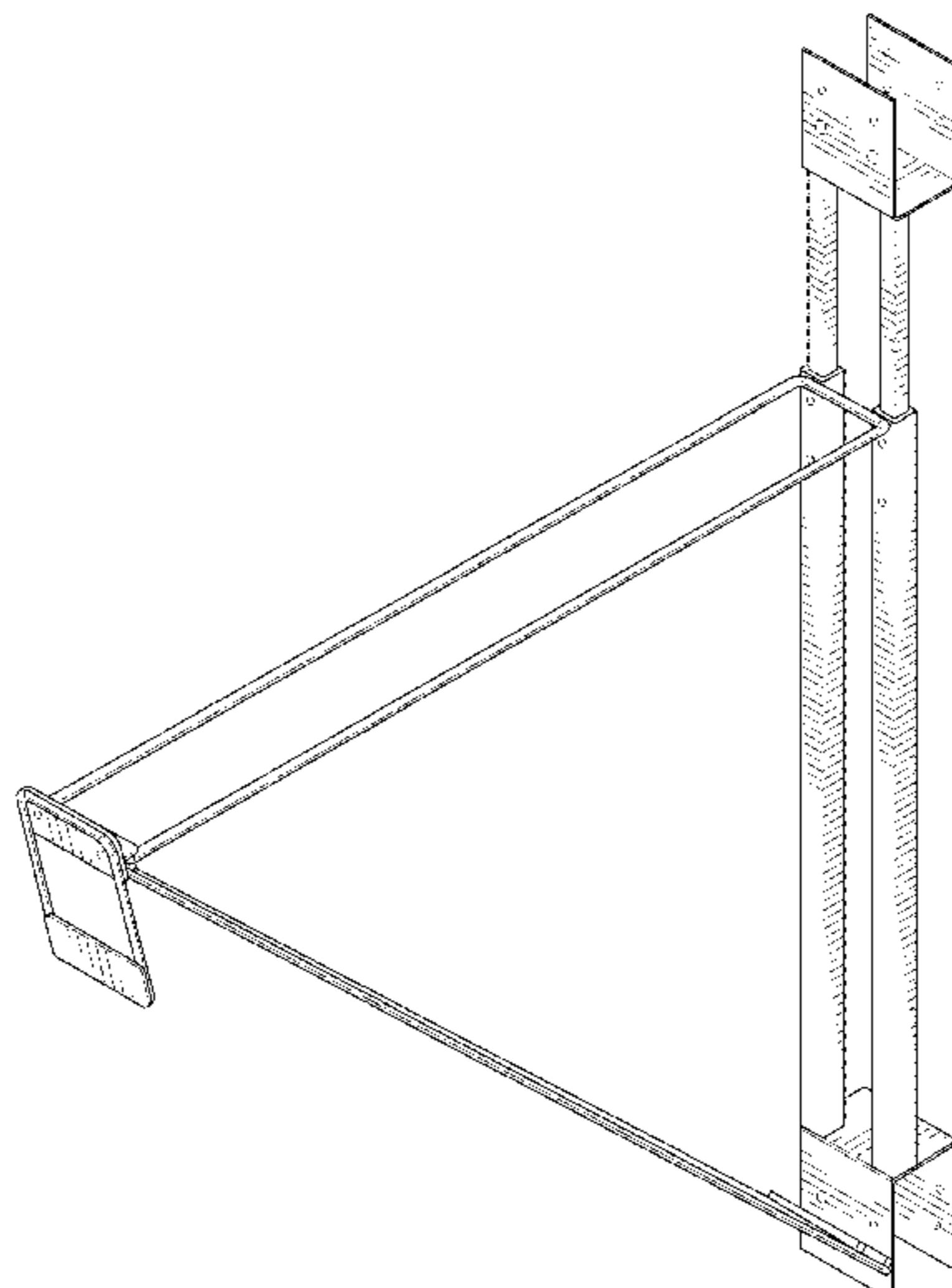
FIG. 16 is a top plan view of the embodiment of FIG. 13;

FIG. 17 is a bottom plan view of the embodiment of FIG. 13; and,

FIG. 18 is a left side elevation view of the embodiment of FIG. 13; where the right side elevation view is a mirror image thereof.

The broken lines in the drawings illustrate portions of the carton divider which forms no part of the claimed design.

**1 Claim, 12 Drawing Sheets**



(58) **Field of Classification Search**  
 CPC ..... A47F 7/0014; A47F 5/103  
 See application file for complete search history.

(56) **References Cited**

U.S. PATENT DOCUMENTS

2,113,288 A 4/1938 Berger  
 2,223,770 A 12/1940 Nagle  
 D129,731 S 9/1941 Luttrell  
 2,290,104 A 7/1942 Larson  
 D165,358 S 12/1951 Baldwin  
 2,937,743 A 5/1960 Buttery et al.  
 2,944,679 A 7/1960 Rubenstein  
 3,033,356 A 5/1962 Meyerson  
 3,121,511 A 2/1964 Whitehead  
 3,347,357 A 10/1967 De Soto et al.  
 3,361,330 A 1/1968 Arneson  
 D211,321 S 6/1968 Ullmann  
 3,388,787 A 6/1968 Growney  
 3,468,593 A 9/1969 Catlett  
 3,517,801 A 6/1970 Cote  
 D224,692 S 8/1972 Gray  
 3,732,633 A 5/1973 Margolis et al.  
 D227,351 S 6/1973 Winton  
 3,777,883 A 12/1973 Hackenberg  
 4,109,786 A 8/1978 Roccaforte et al.  
 4,342,268 A 8/1982 Grava  
 4,385,687 A 5/1983 Dutcher  
 4,520,978 A \* 6/1985 Taub ..... A47F 5/0823  
 211/57.1  
 4,720,876 A 1/1988 Tomei et al.  
 D323,986 S 2/1992 Ferrero  
 D332,744 S 1/1993 McCooey  
 D343,075 S 1/1994 Cappel, III  
 D349,458 S 8/1994 Verdaguer  
 5,368,486 A 11/1994 Kurzman  
 5,372,278 A 12/1994 Leight  
 5,503,278 A 4/1996 Ishmael  
 5,675,936 A 10/1997 Kurth et al.  
 5,823,339 A 10/1998 Dunham et al.  
 5,848,446 A 12/1998 DeBraal  
 5,860,526 A 1/1999 Burke, Jr.  
 D405,369 S 2/1999 Dohner  
 D409,858 S 5/1999 Reed  
 5,941,384 A 8/1999 Schonhardt et al.  
 D417,978 S 12/1999 Reed  
 6,102,206 A 8/2000 Pride  
 6,102,502 A 8/2000 Melillo et al.  
 6,170,675 B1 1/2001 Follman et al.  
 D451,801 S 12/2001 Schillinger  
 D454,067 S 3/2002 Schoening et al.  
 D461,974 S 8/2002 Hayden  
 D466,804 S 12/2002 Solland  
 D469,349 S 1/2003 Meeker et al.  
 D548,066 S \* 8/2007 Welch ..... D8/381  
 7,264,126 B1 9/2007 Bergeron  
 D556,031 S \* 11/2007 Johnson ..... D8/381  
 D588,905 S 3/2009 Meeks et al.  
 D600,110 S 9/2009 Cain  
 D607,724 S 1/2010 Dreier et al.

7,748,527 B2 7/2010 Wisecarver et al.  
 7,828,151 B2 11/2010 Murdoch et al.  
 7,900,784 B1 3/2011 Weigand et al.  
 D639,652 S 6/2011 Abdalkhani et al.  
 8,191,707 B2 6/2012 McDonald et al.  
 D668,540 S 10/2012 Lutzig  
 D668,889 S \* 10/2012 Theisen ..... A47F 7/148  
 D6/678.4  
 D685,260 S 7/2013 Thielemier  
 D689,360 S 9/2013 Adams  
 D690,593 S 10/2013 Kaps et al.  
 D694,099 S 11/2013 Ensslen, III et al.  
 D699,563 S 2/2014 McAdam  
 D709,363 S 7/2014 Boehnen et al.  
 D710,713 S 8/2014 Fath  
 8,915,381 B2 \* 12/2014 Brozak ..... A47F 7/0021  
 108/61  
 D758,771 S \* 6/2016 Austin, III ..... D6/683.1  
 D763,023 S \* 8/2016 Austin, III ..... D6/683.1  
 2001/0002660 A1 6/2001 Riga et al.  
 2002/0134030 A1 9/2002 Conway  
 2003/0189018 A1 \* 10/2003 Hopkins ..... A47F 5/01  
 211/90.02  
 2004/0238465 A1 12/2004 Mercure  
 2004/0245195 A1 12/2004 Pride  
 2006/0043032 A1 3/2006 McHugh  
 2006/0196838 A1 9/2006 Mercure et al.  
 2007/0045204 A1 3/2007 Huard et al.  
 2008/0277363 A1 11/2008 McDonough  
 2009/0115299 A1 5/2009 Ricereto  
 2010/0107497 A1 5/2010 Hulst et al.  
 2010/0181267 A1 7/2010 Theisen  
 2011/0035871 A1 2/2011 Seymour et al.  
 2012/0259743 A1 10/2012 Pate, Jr.  
 2013/0325670 A1 12/2013 Austin, III et al.  
 2015/0208875 A1 \* 7/2015 Austin, III ..... A47F 7/0042  
 4/607  
 2016/0262555 A1 \* 9/2016 Boehnen ..... A47F 5/08

OTHER PUBLICATIONS

<http://www.johnsonhardware.com/doordisplay.htm>, "Johnson Hardware Door Panel Display Unit", Dec. 16, 2010, 2 pages.  
 Quality Craft, "Installation Manual Shower Unit", Model No. 961WUX006WHI, Mar. 9, 2011, 14 pages.  
 U.S. Appl. No. 29/480,762, entitled "Shower Door Display", filed Jan. 29, 2014, 16 pages.  
 U.S. Appl. No. 29/480,761, entitled "Shower Door Display", filed Jan. 29, 2014, 14 pages.  
 U.S. Appl. No. 29/480,731, entitled "Handle for Door Packaging", filed Jan. 29, 2014, 7 pages.  
 U.S. Appl. No. 29/480,730, entitled "Packaging Castors", filed Jan. 29, 2014, 3 pages.  
 U.S. Appl. No. 29/480,728, entitled "Door Packaging", filed Jan. 29, 2014, 14 pages.  
 U.S. Appl. No. 14/167,235, entitled "Shower Door Glass Pane Packaging Assembly", filed Jan. 29, 2014, 16 pages.  
 U.S. Appl. No. 14/167,230, entitled "Shower Door Assembly Display", filed Jan. 29, 2014, 17 pages.

\* cited by examiner

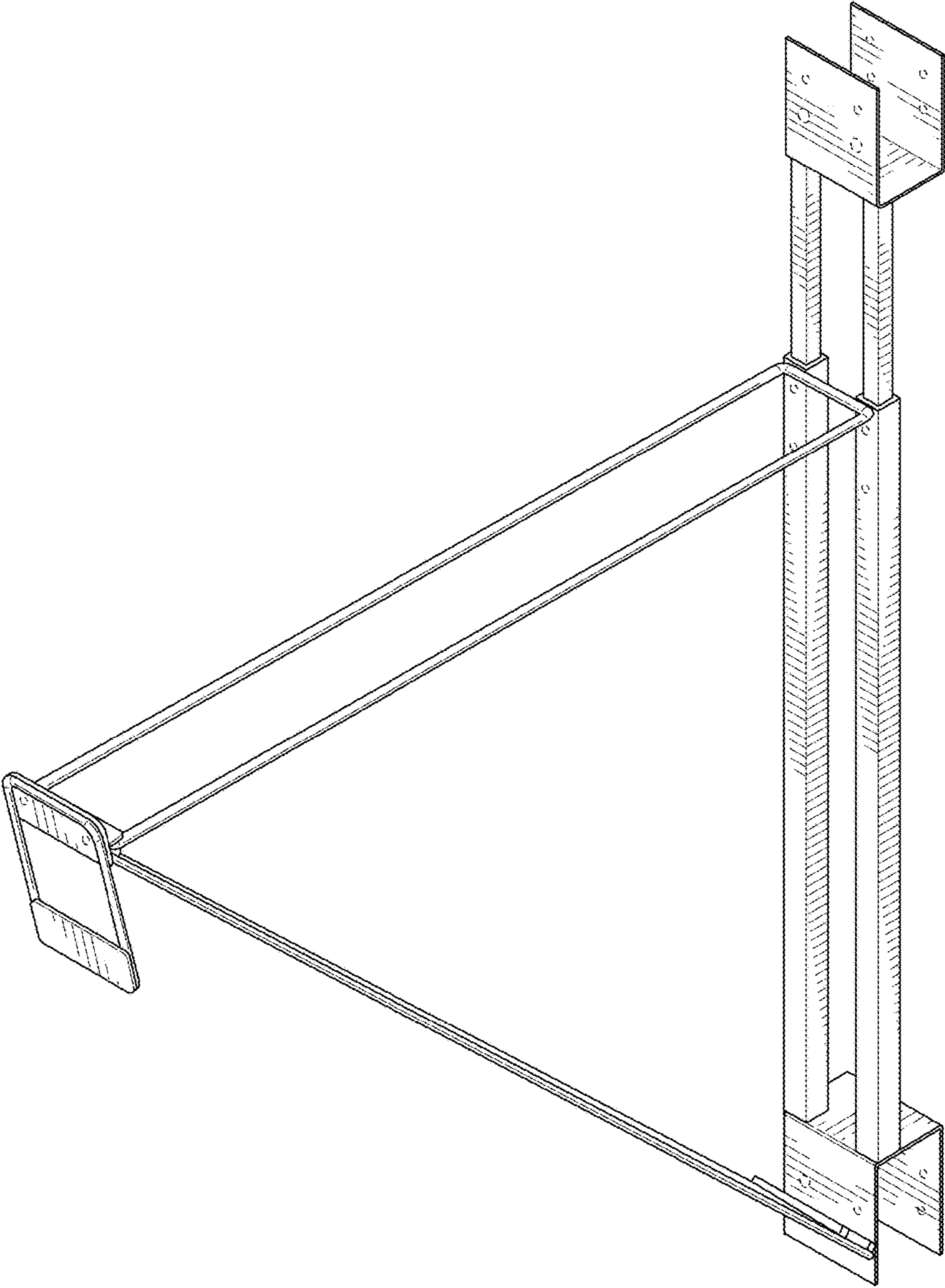
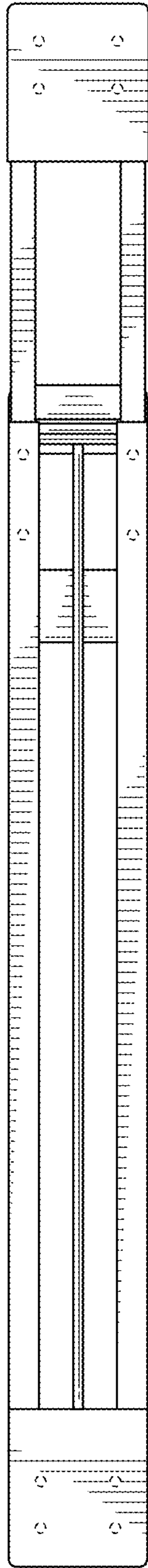
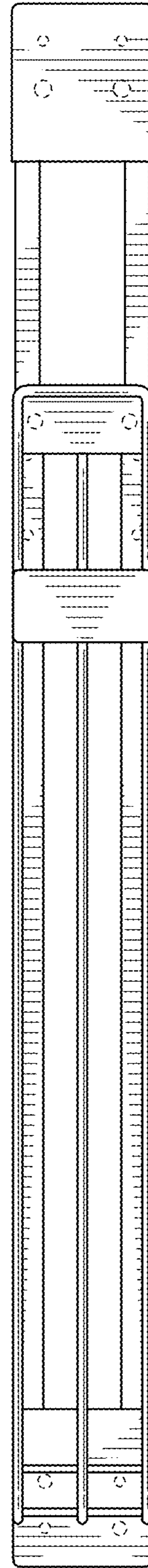


FIG. 1



**FIG. 2**



**FIG. 3**

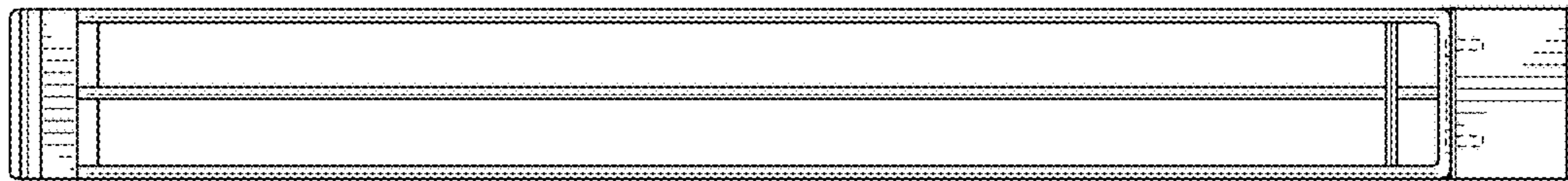


FIG. 4

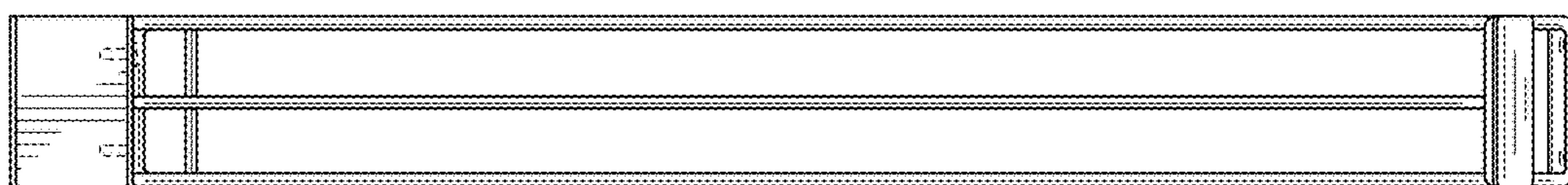


FIG. 5

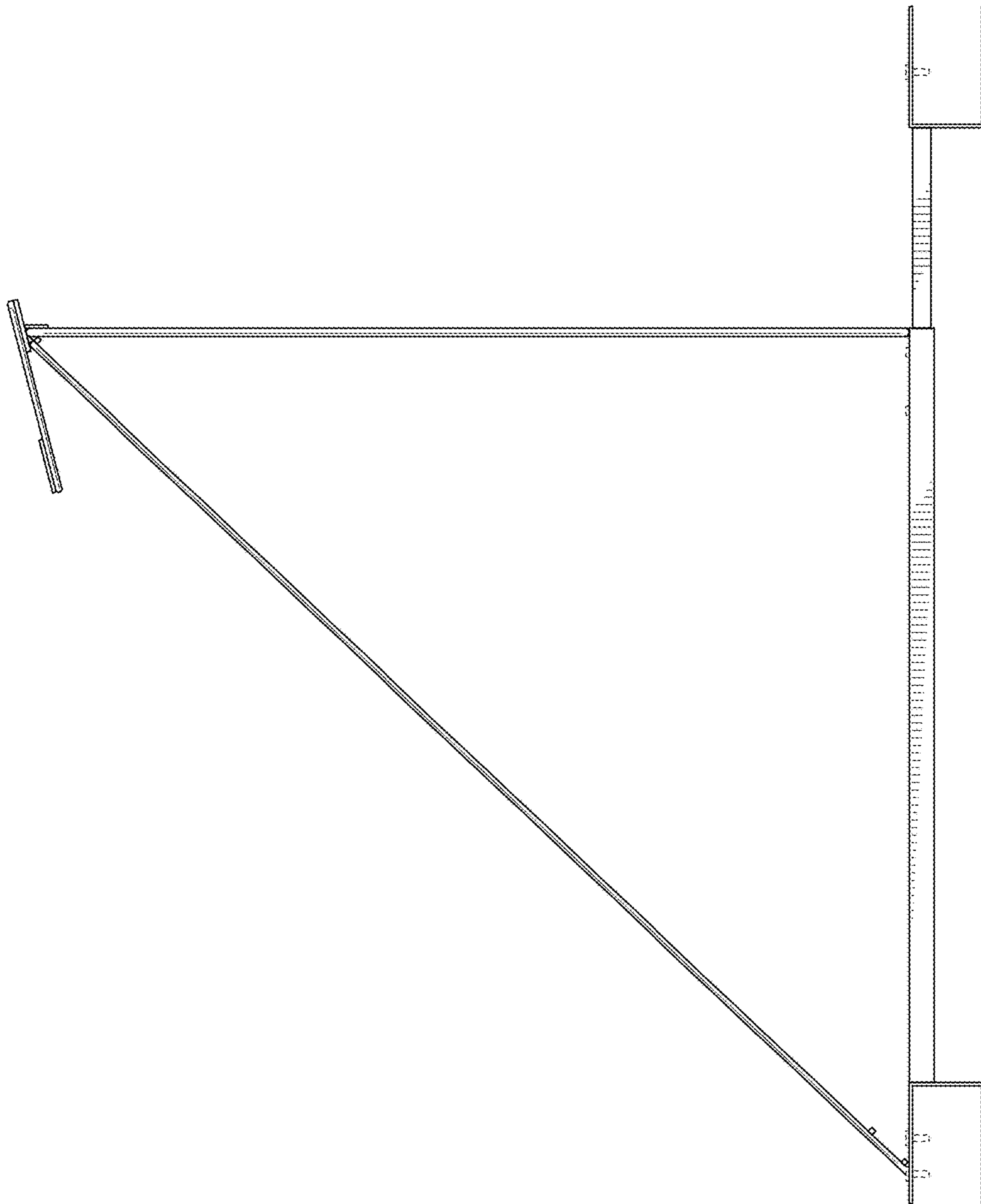


FIG. 6

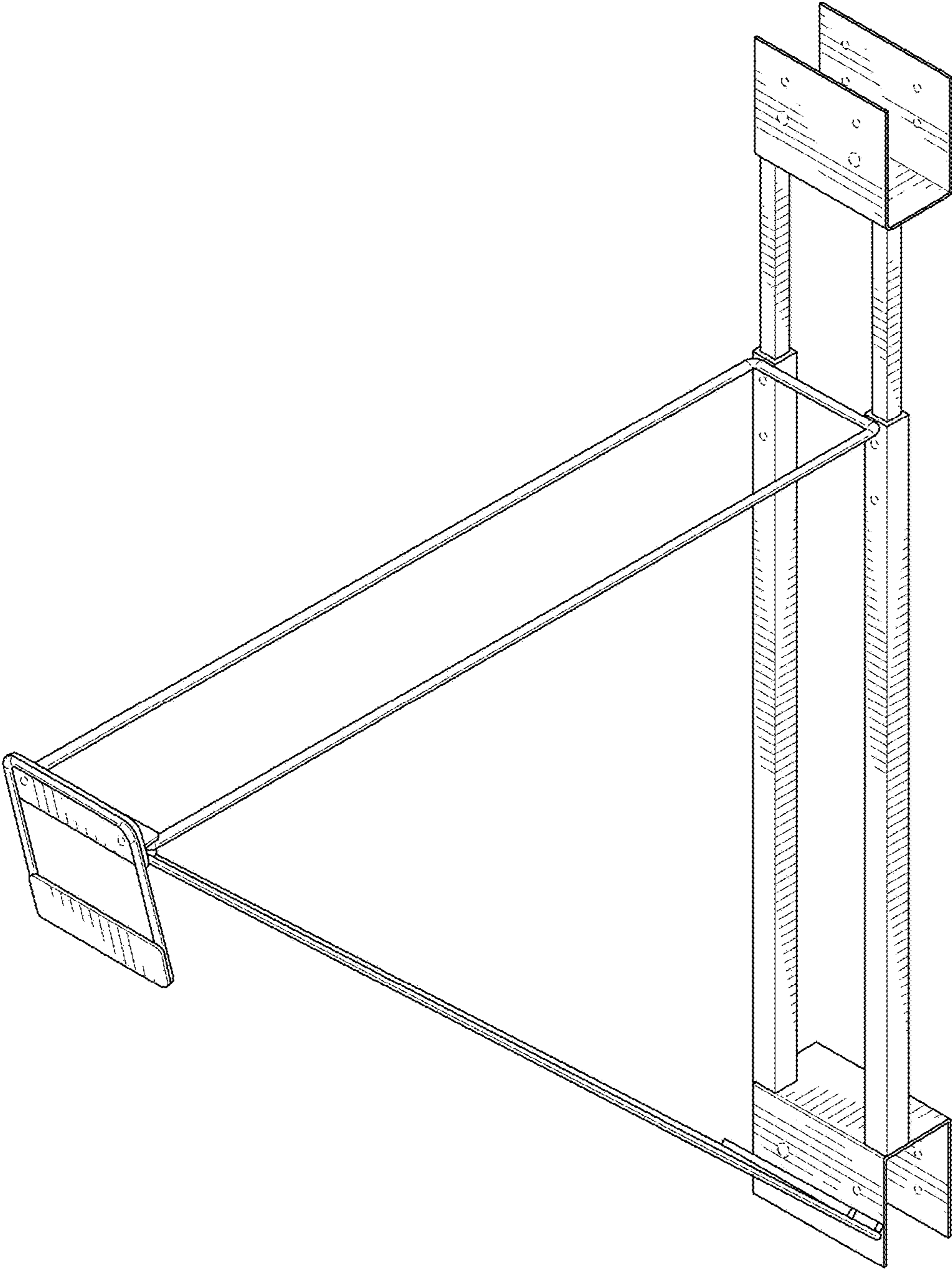
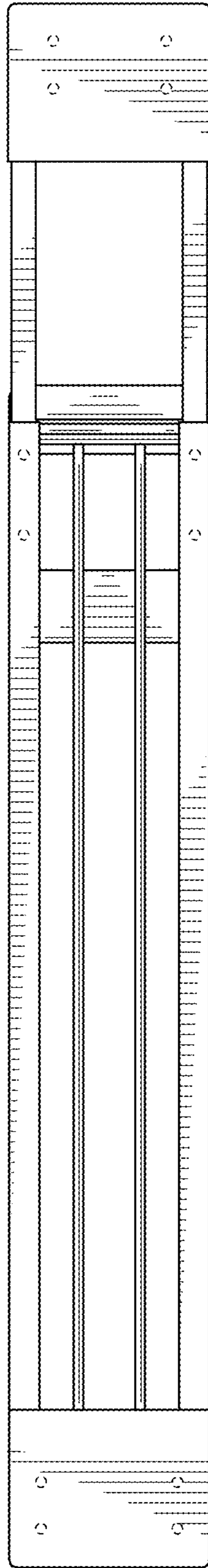
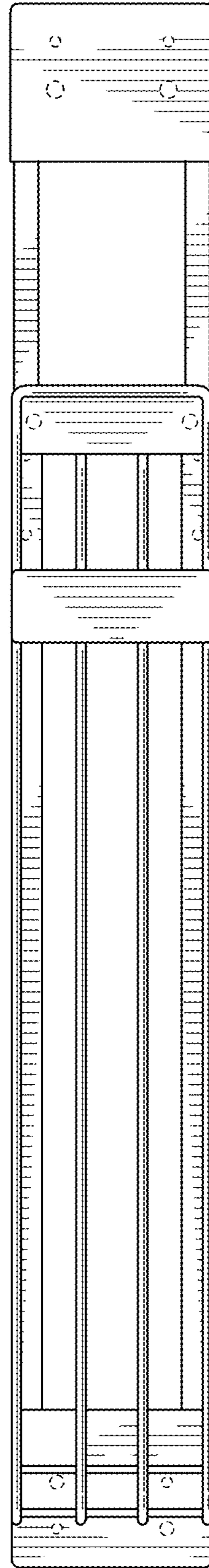


FIG. 7



**FIG. 8**



**FIG. 9**



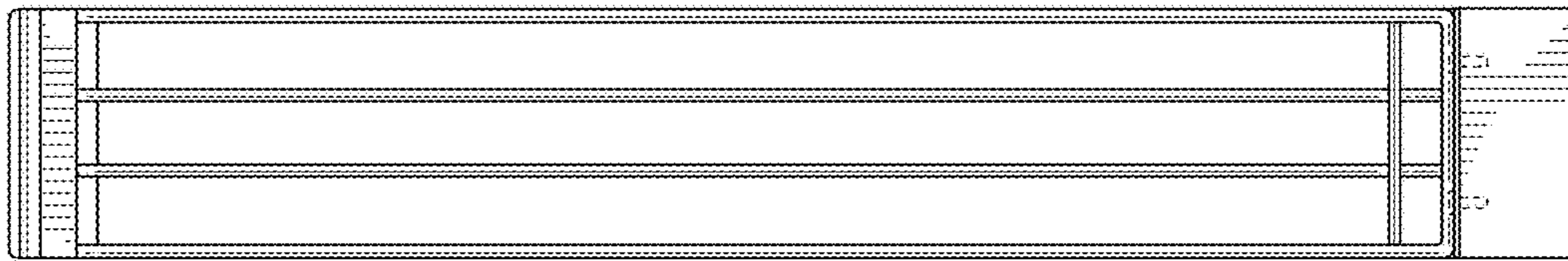


FIG. 10



FIG. 11

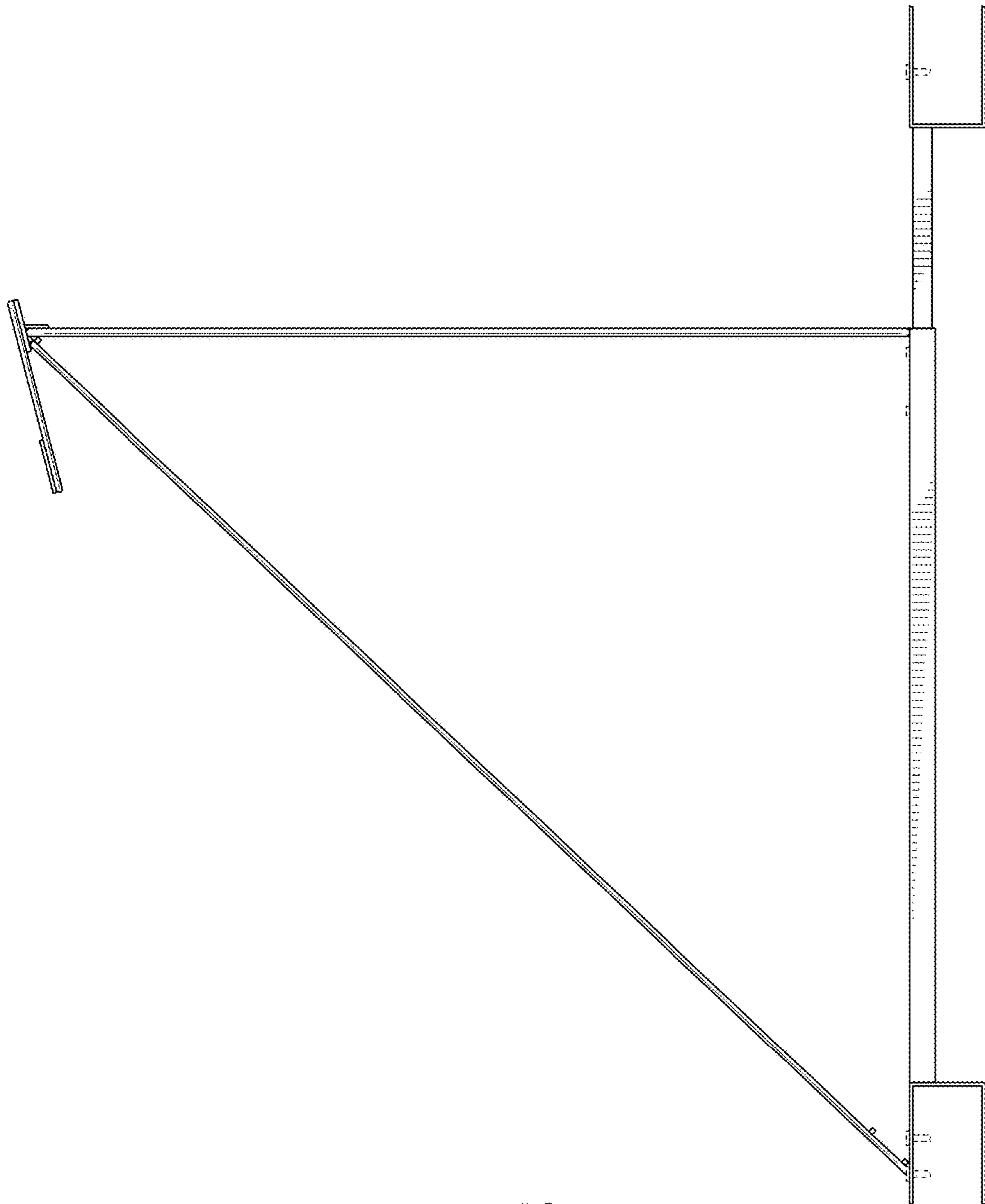


FIG. 12

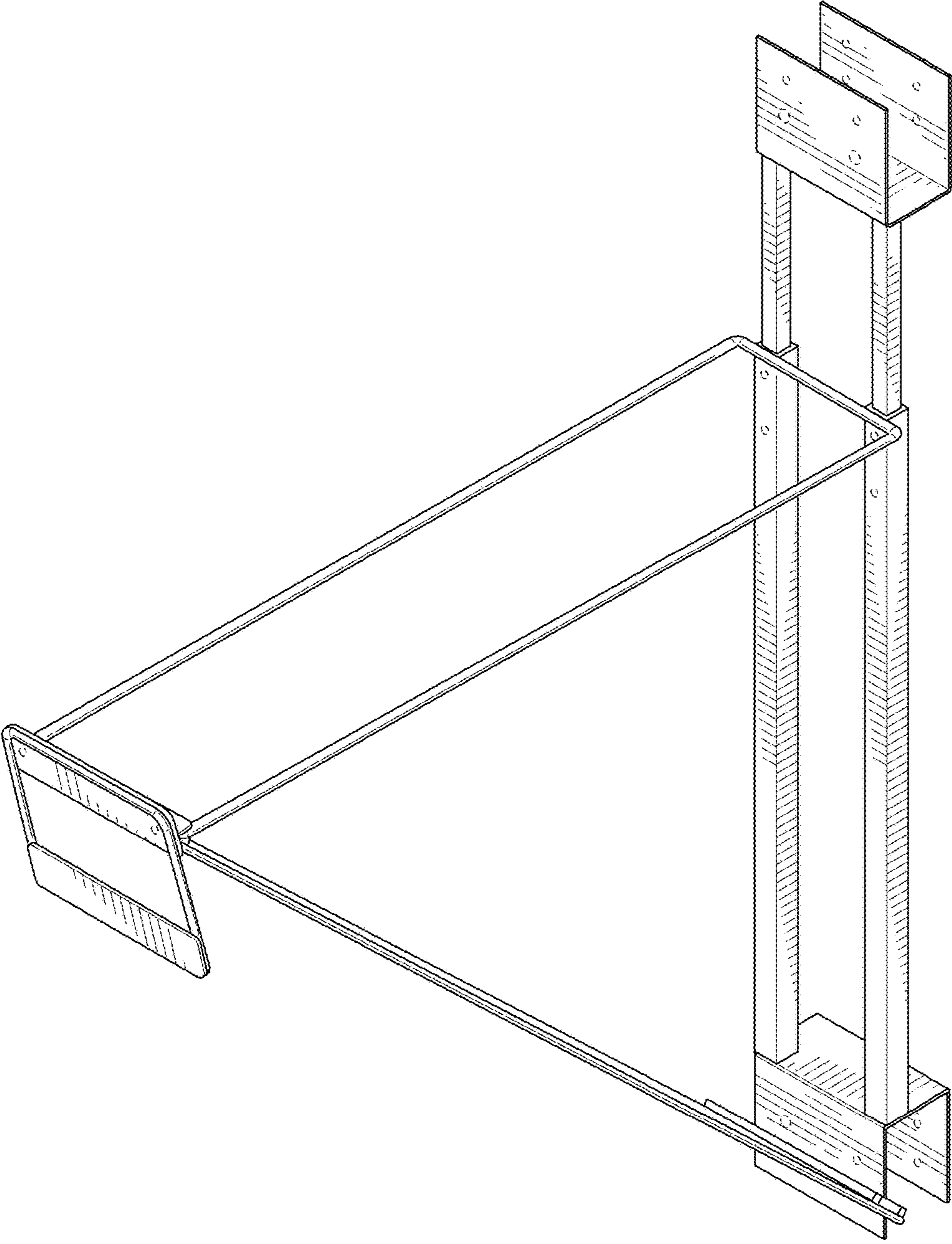
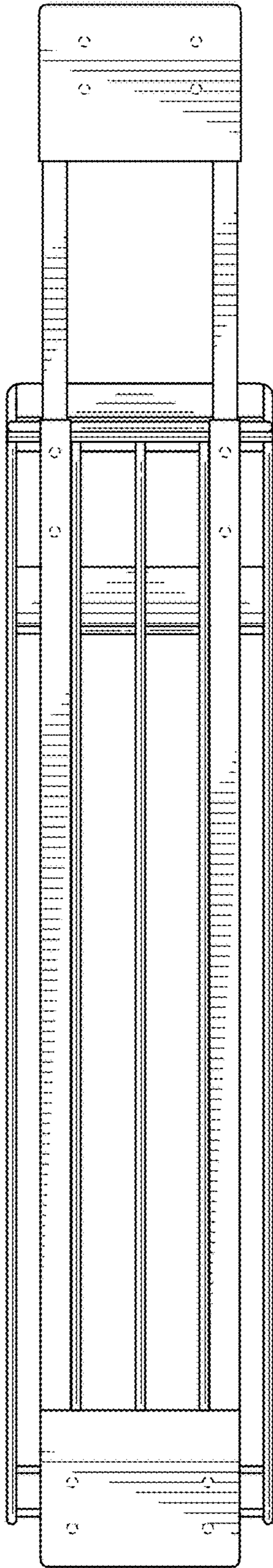
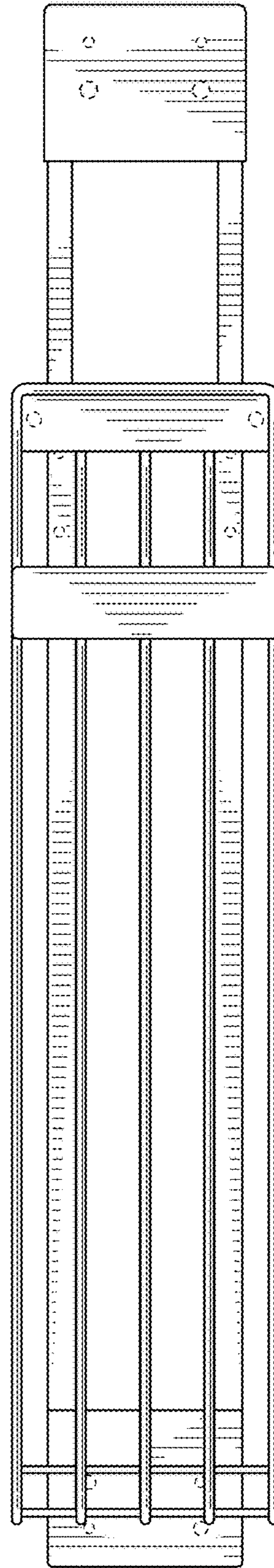


FIG. 13



**FIG. 14**



**FIG. 15**

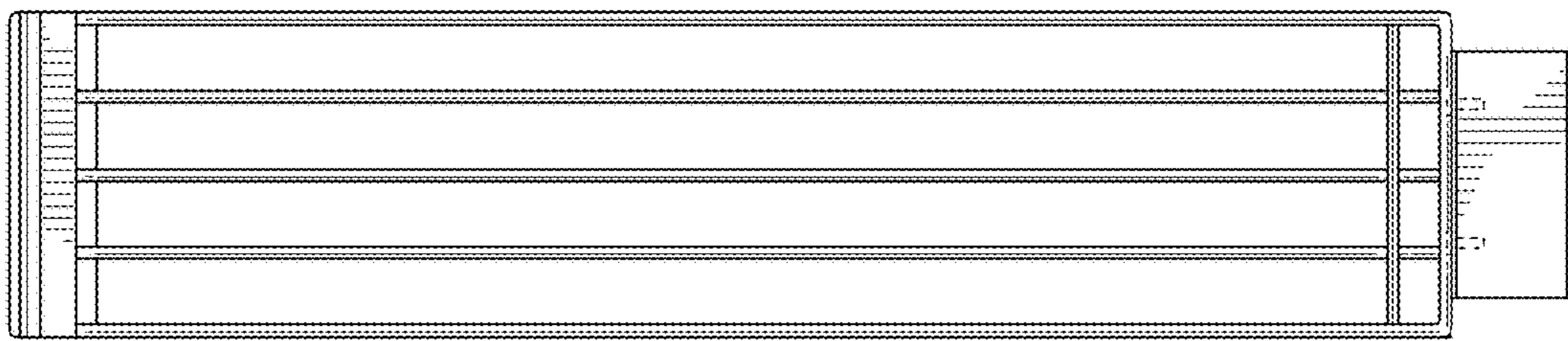


FIG. 16

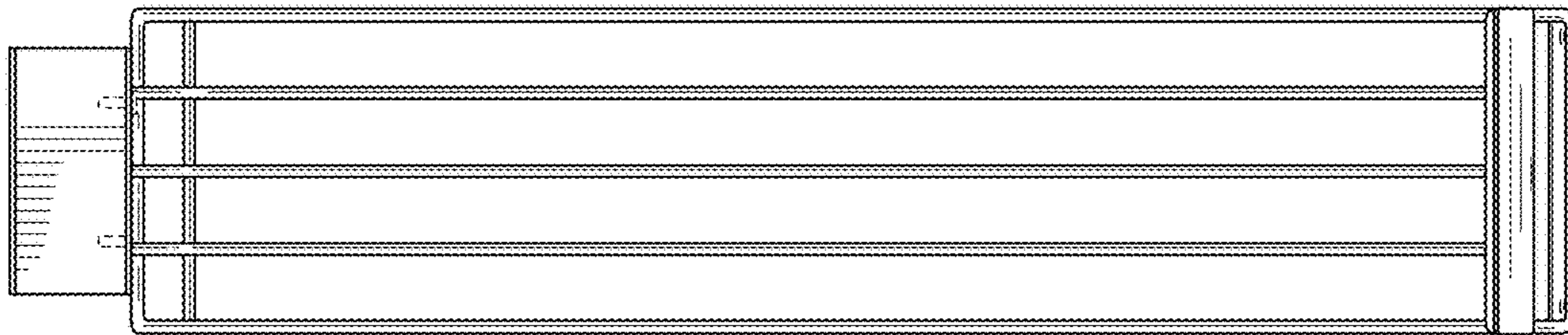
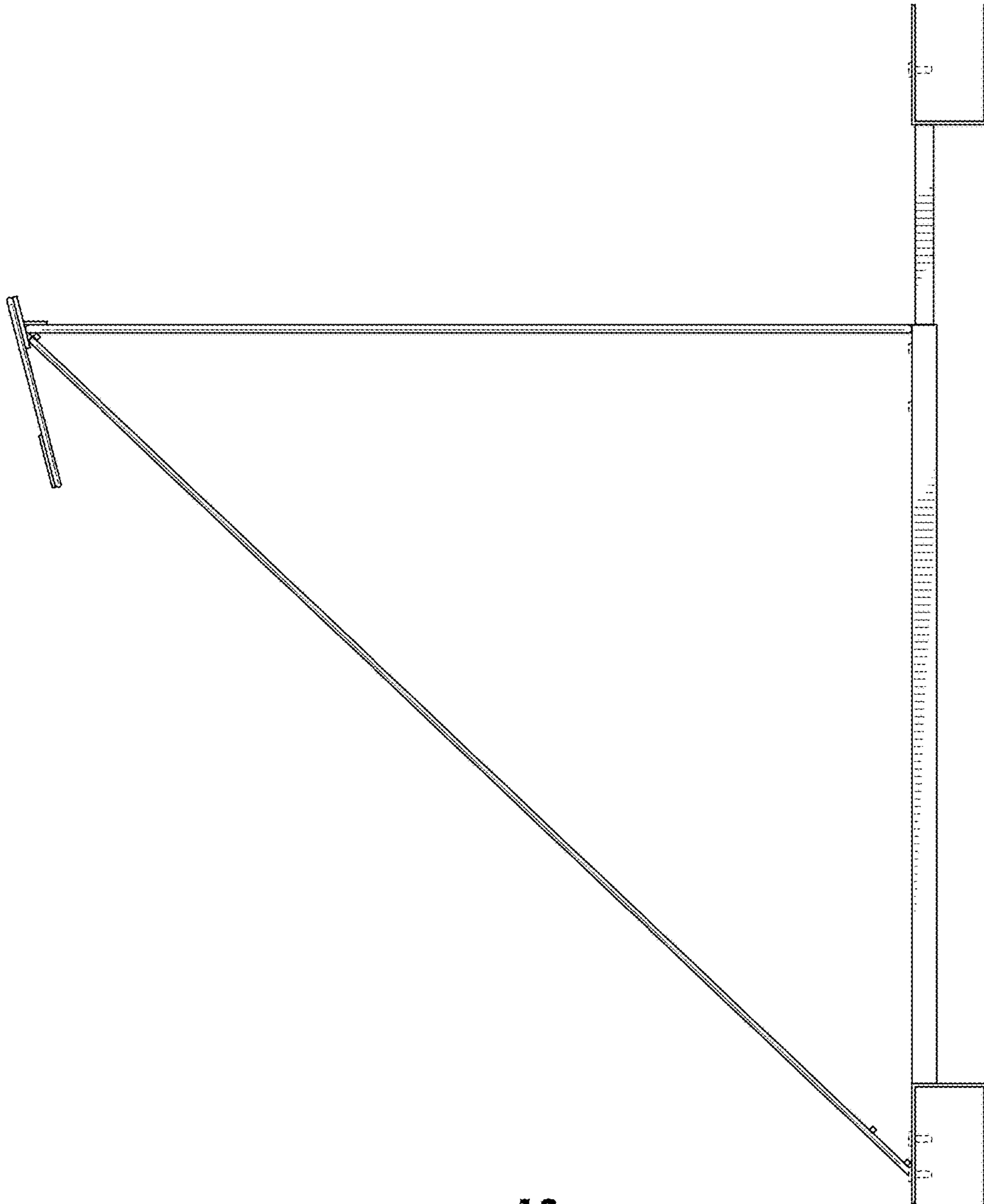


FIG. 17



**FIG. 18**