



US00D777017S

(12) **United States Design Patent**
Anderson et al.

(10) **Patent No.:** **US D777,017 S**
(45) **Date of Patent:** **** Jan. 24, 2017**

(54) **HOSE REEL ENCLOSURE**

(56) **References Cited**

(71) Applicant: **Suncast Technologies, LLC**, Palm Beach Gardens, FL (US)

U.S. PATENT DOCUMENTS

(72) Inventors: **Torrence Anderson**, Overland Park, KS (US); **Michael Thuma**, La Grange, IL (US); **Michael R. Vogler**, Oswego, IL (US)

D418,739	S	*	1/2000	Whitehead et al.	D8/359
D432,002	S	*	10/2000	Anderson et al.	D8/359
D478,803	S	*	8/2003	Markley	D8/359
D661,977	S	*	6/2012	Donnelly et al.	D8/358
D702,537	S	*	4/2014	Hyp et al.	D8/359
2007/0018026	A1	*	1/2007	Uffner et al.	242/395

(73) Assignee: **Suncast Technologies, LLC**, Palm Beach Gardens, FL (US)

* cited by examiner

(**) Term: **14 Years**

Primary Examiner — Robert M Spear

Assistant Examiner — Eliza Bennett-Hattan

(21) Appl. No.: **29/486,903**

(74) *Attorney, Agent, or Firm* — McHale & Slavin, P.A.

(22) Filed: **Apr. 3, 2014**

(57) **CLAIM**

The ornamental design for a hose reel enclosure, as shown and described.

(51) **LOC (10) Cl.** **08-05**

(52) **U.S. Cl.**
USPC **D8/359**

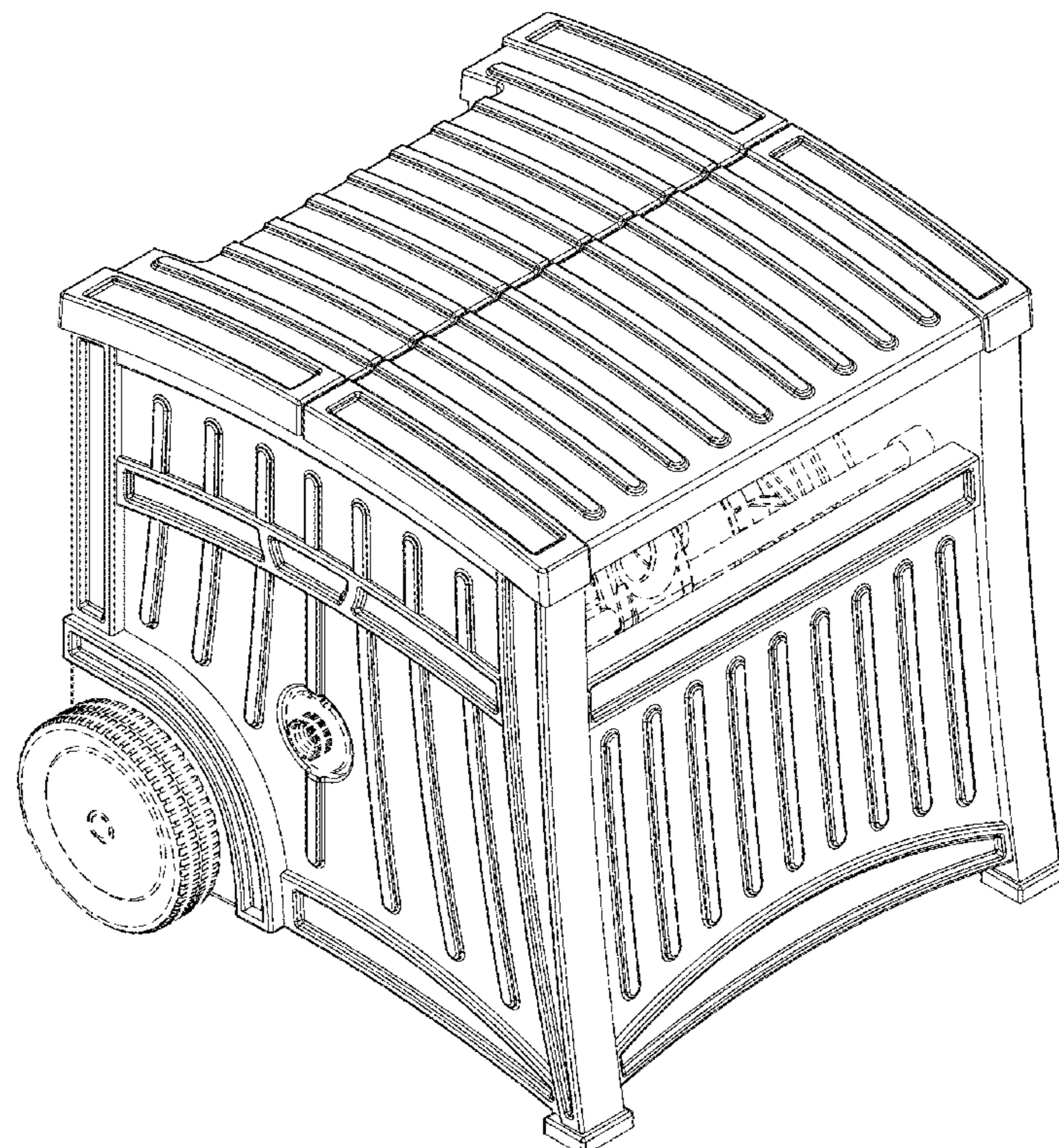
DESCRIPTION

(58) **Field of Classification Search**
USPC D8/358, 360, 356, 359, 383, 380, 381;
D6/515; D12/96, 106, 400, 223, 217;
D10/72; D19/67; D13/137.4; D34/14, 19,
D34/24, 25
CPC . B65H 75/40; B65H 2701/33; B65H 75/4471;
B65H 54/585; B65H 2701/34; B65H
51/22; B65H 75/08; B65H 75/02; B65H
2301/41485; B65H 2701/32; B65H
75/4468; B65H 2301/414323; B65H
2301/414325

FIG. 1 is a front left perspective view of the hose reel enclosure of the present invention;
FIG. 2 is a front right perspective view thereof;
FIG. 3 is a front view thereof;
FIG. 4 is a rear view thereof;
FIG. 5 is a left side view thereof;
FIG. 6 is a right side view thereof; and,
FIG. 7 is a top view thereof.
The portions of the hose reel enclosure illustrated in broken lines form no part of the claimed subject matter.

See application file for complete search history.

1 Claim, 7 Drawing Sheets



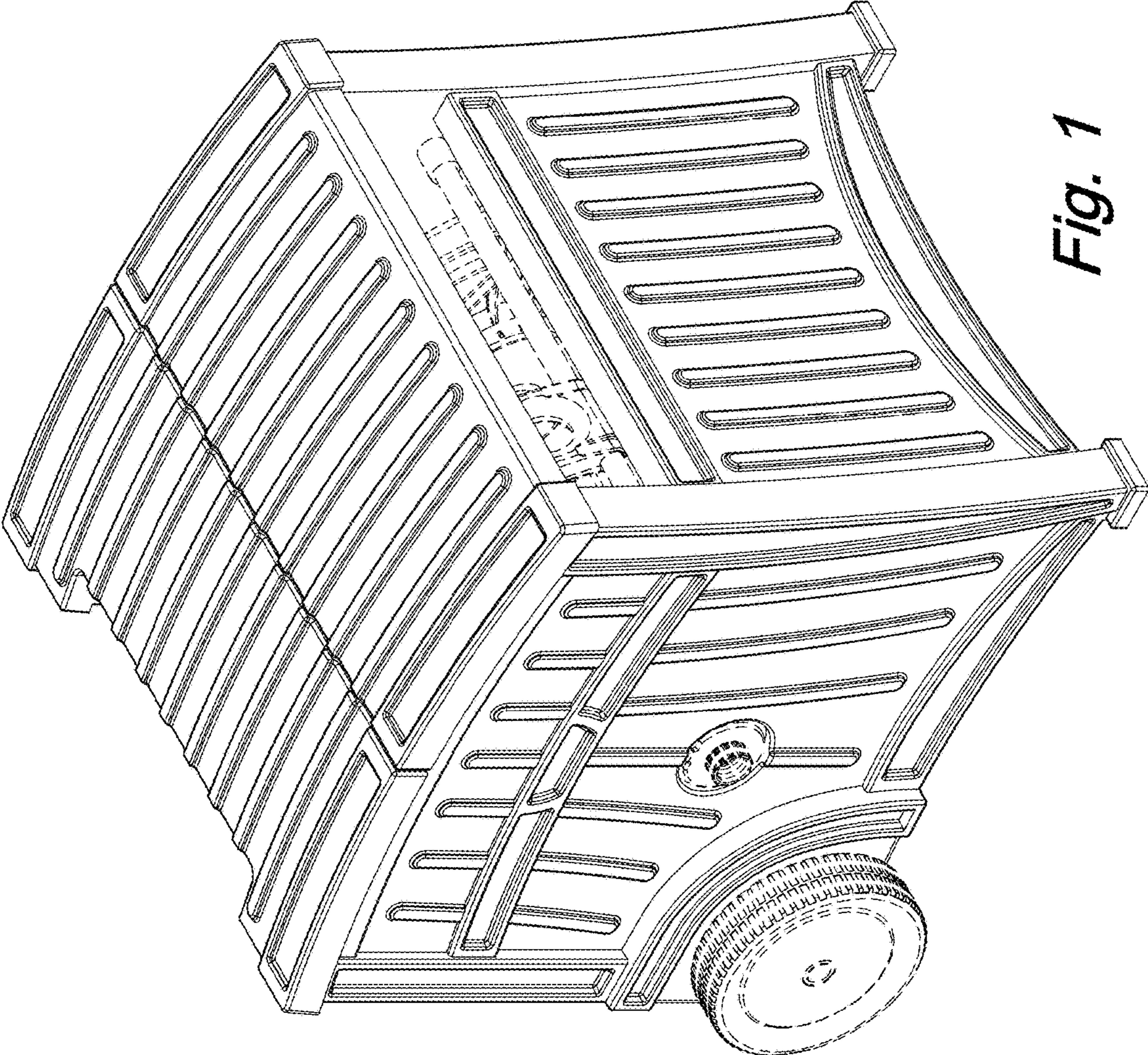


Fig. 1

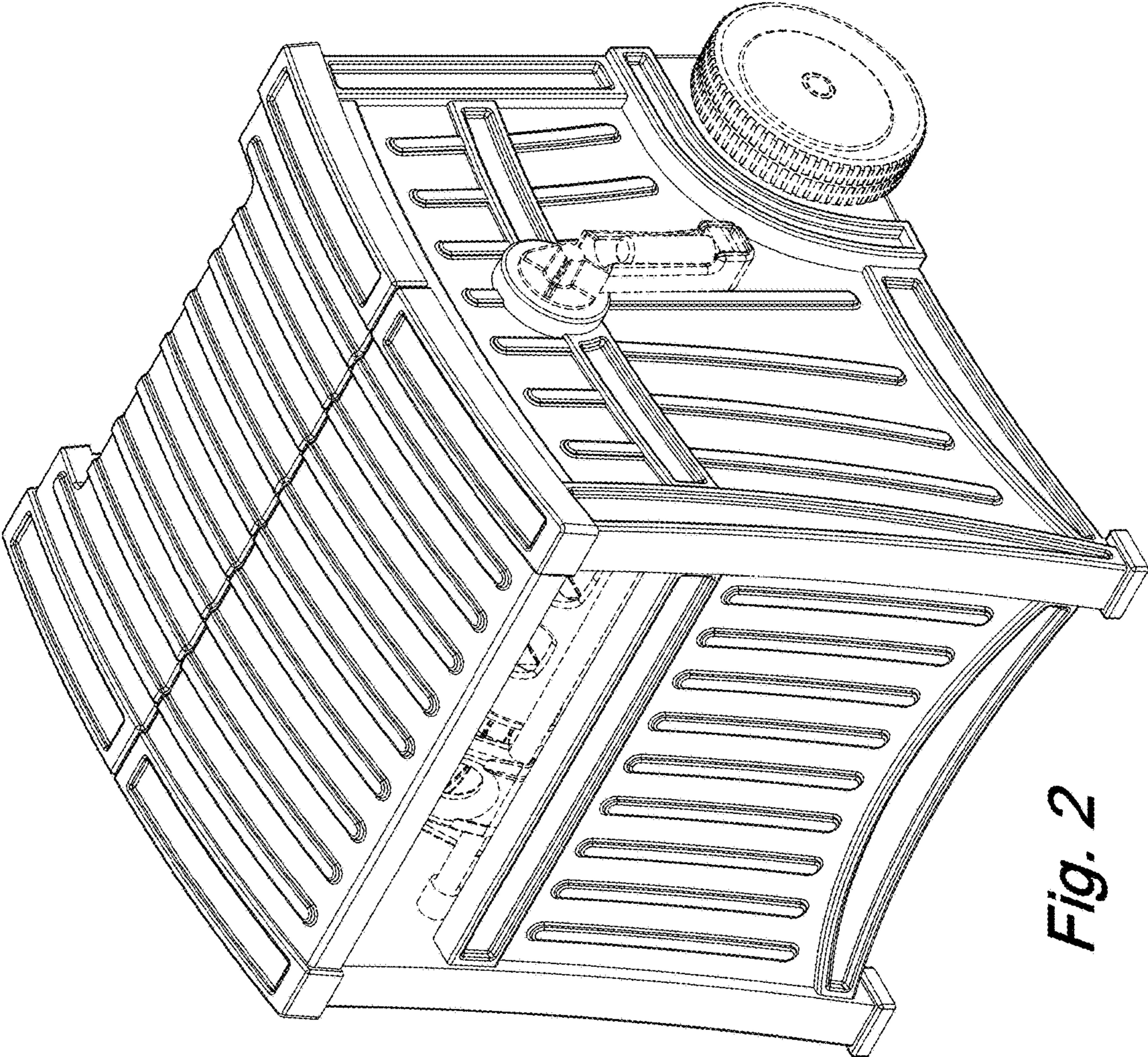


Fig. 2

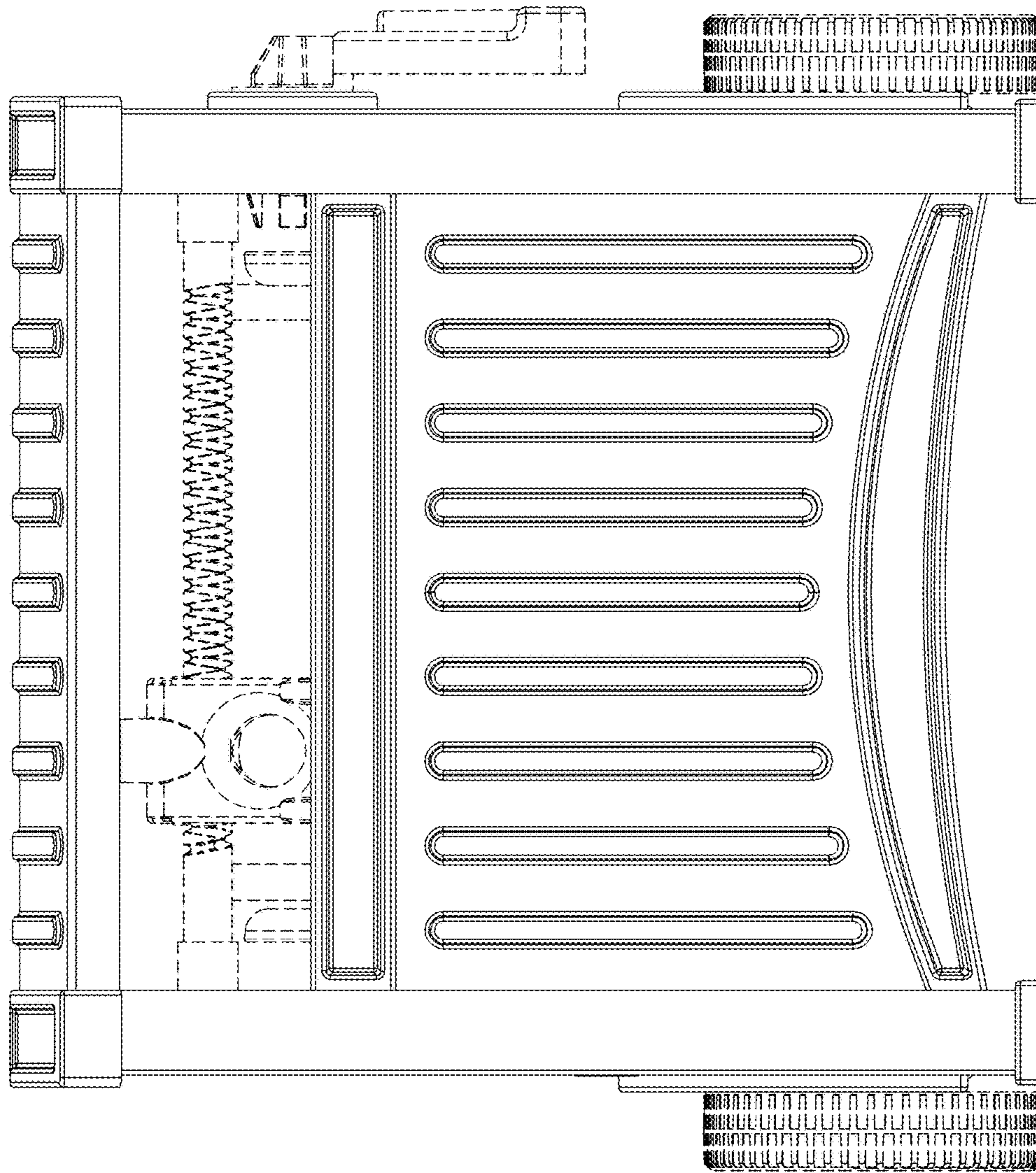


Fig. 3

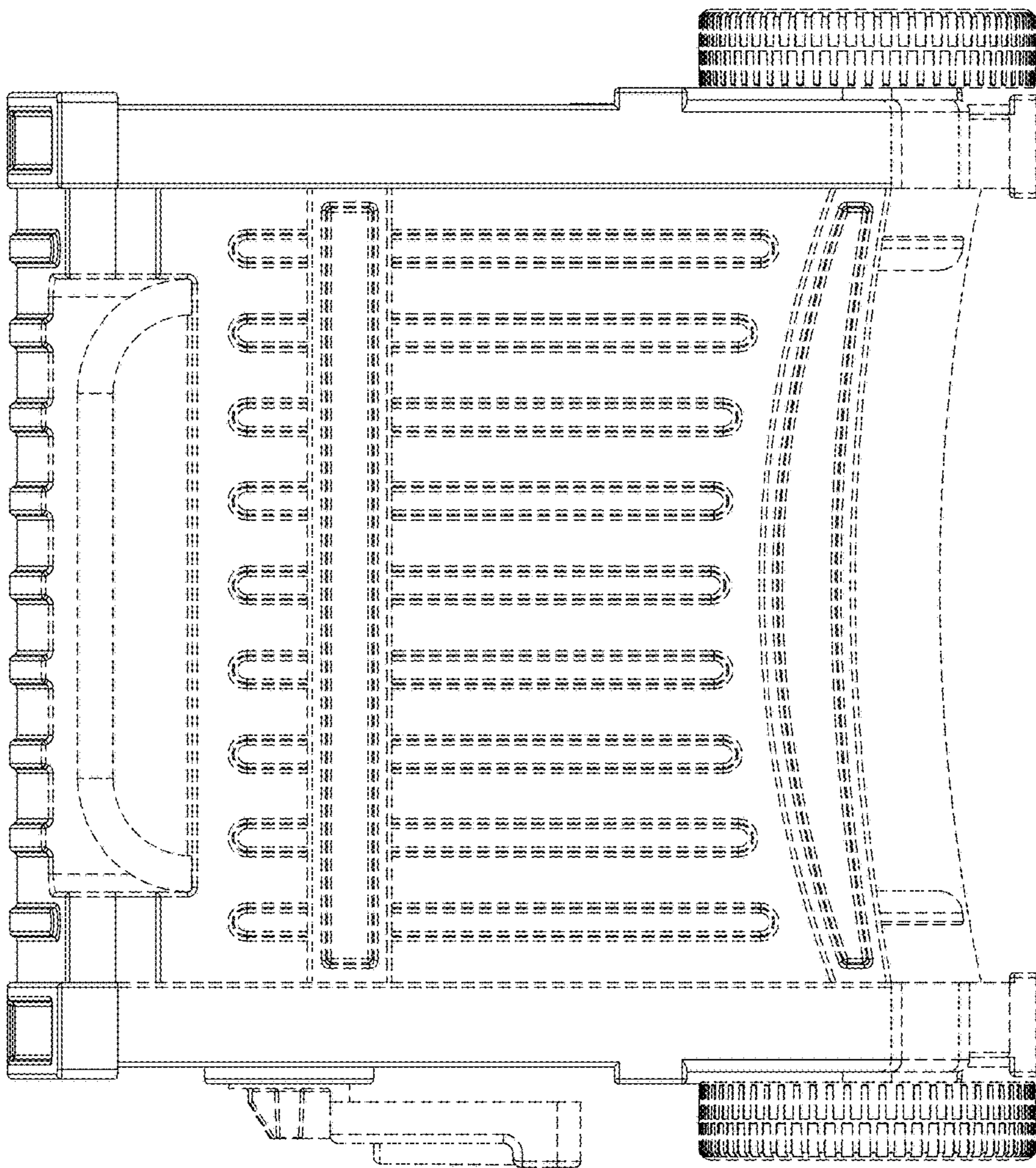


Fig. 4

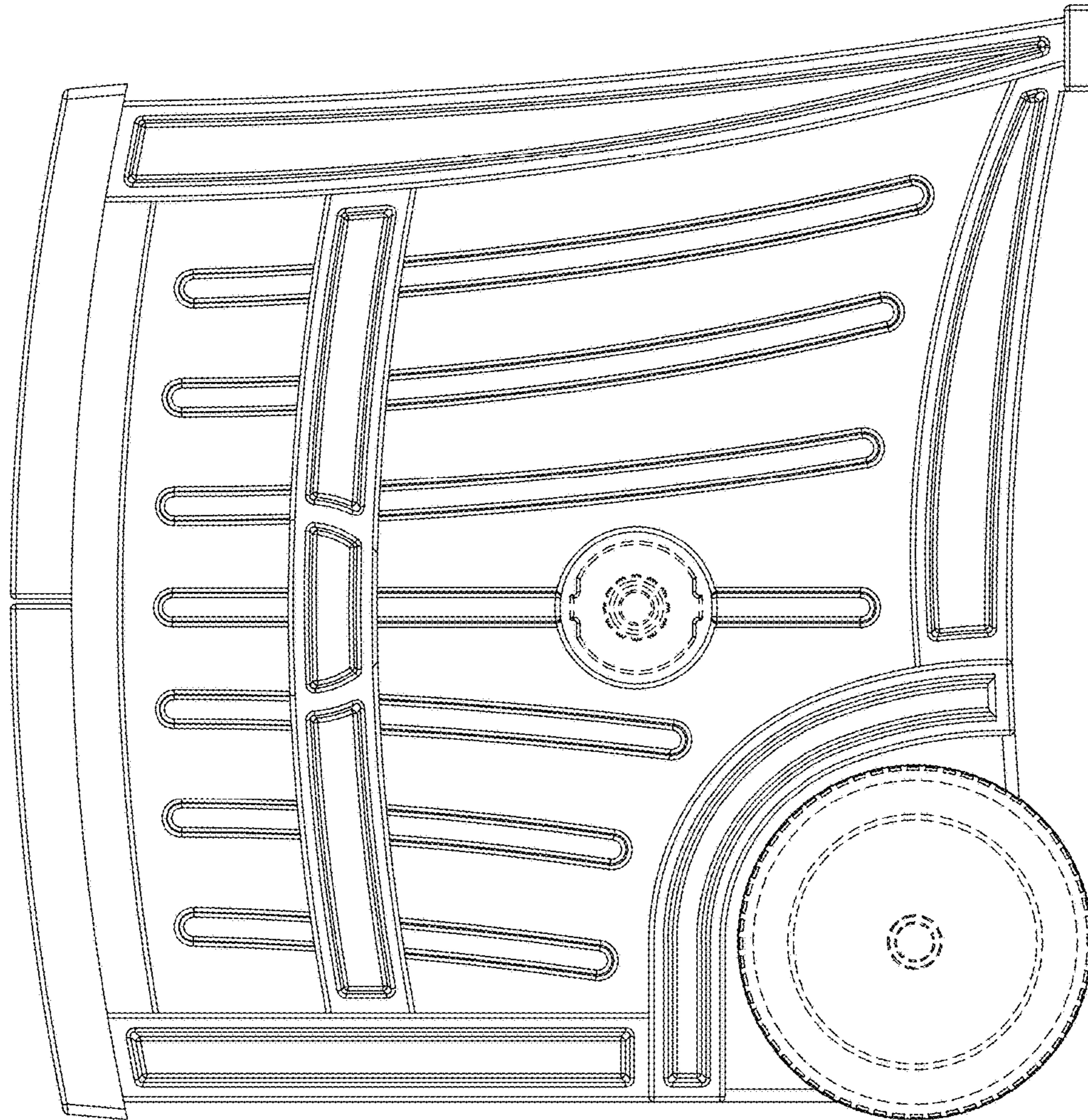


Fig. 5

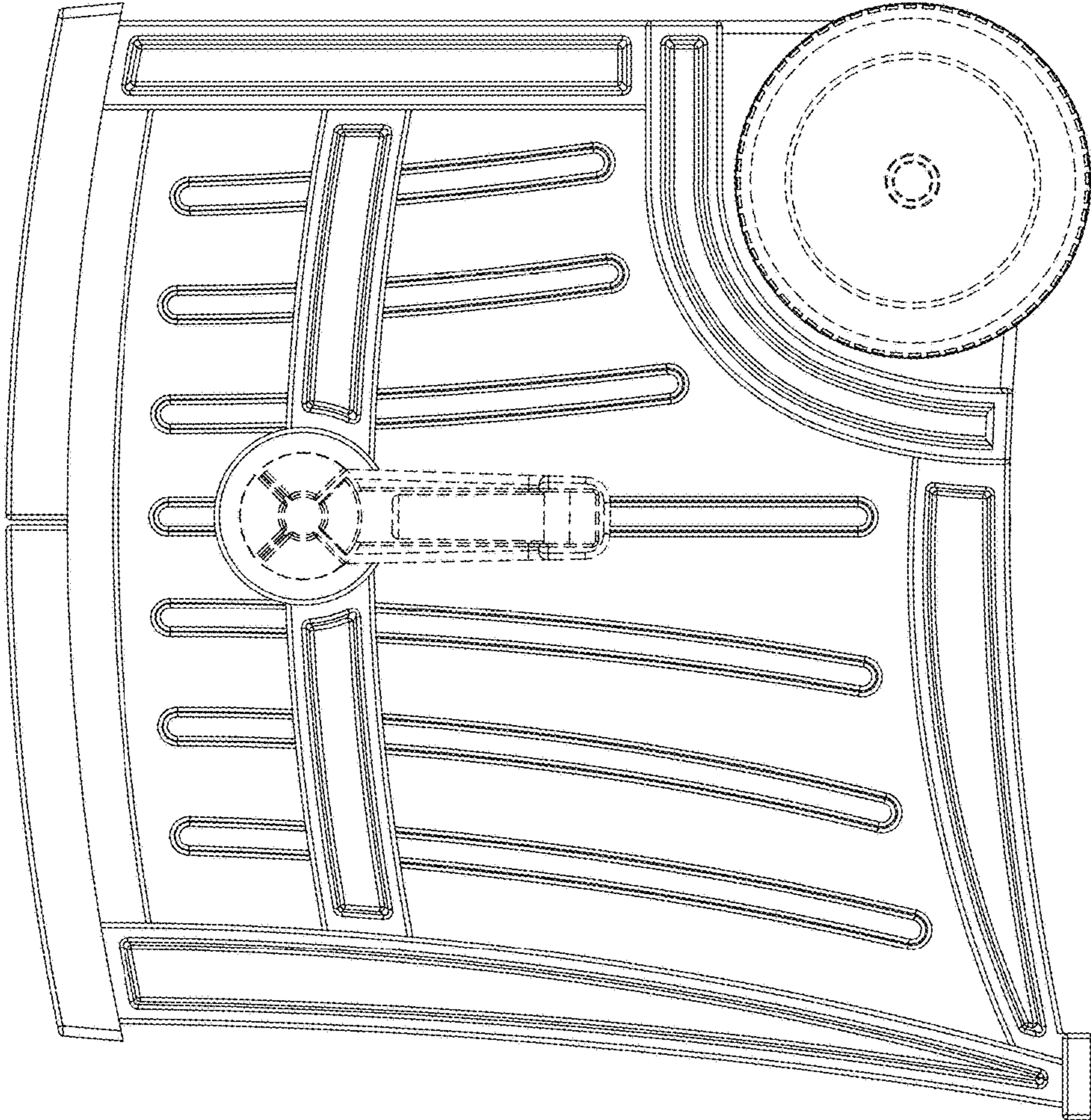


Fig. 6

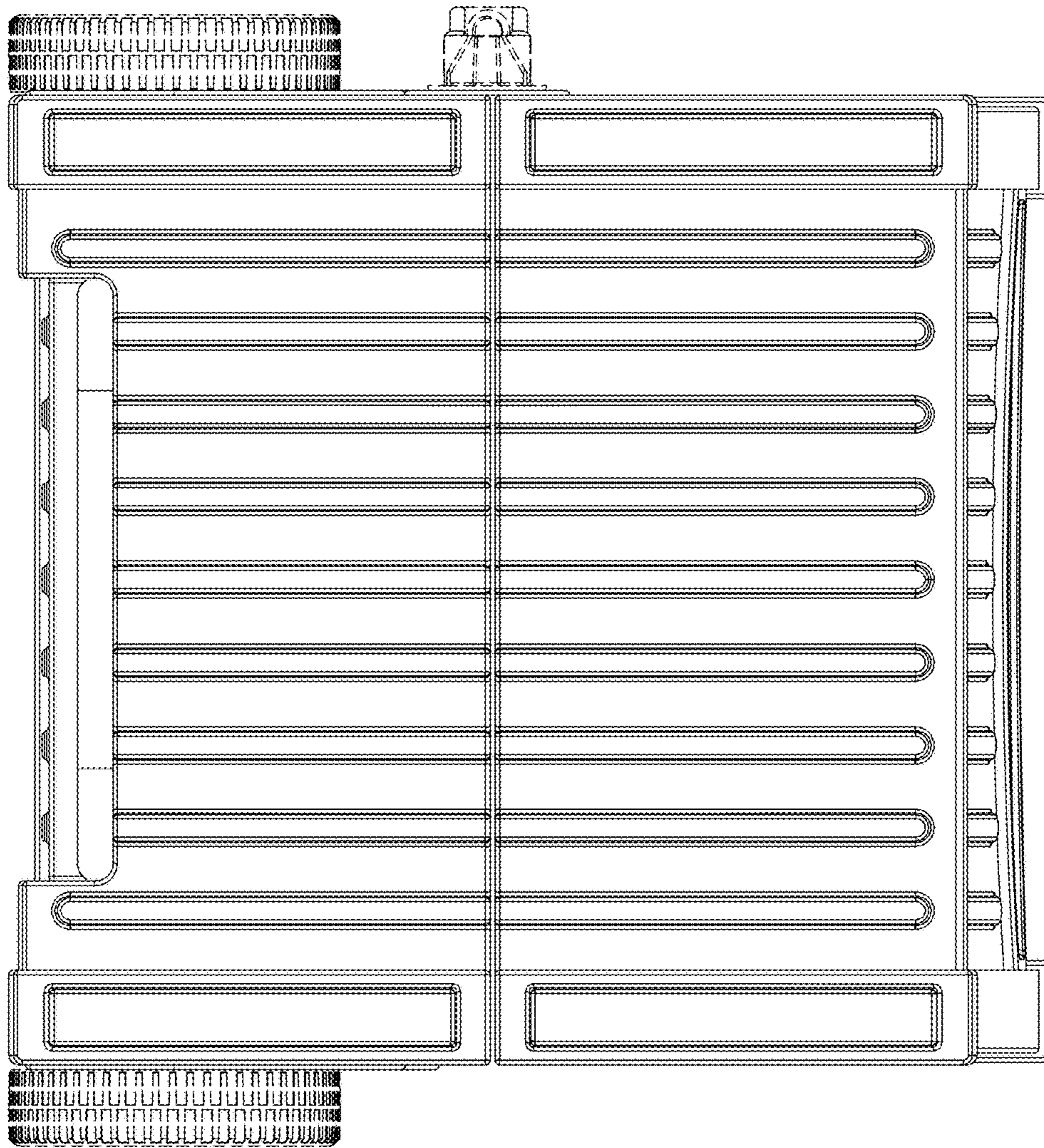


Fig. 7