



US00D777015S

(12) **United States Design Patent**
Deveci

(10) **Patent No.:** **US D777,015 S**
(45) **Date of Patent:** **** Jan. 24, 2017**

(54) **ALL-DIRECTIONAL SEISMIC (RESTRAINT) SPRING MOUNT WITH HOUSING**

(71) Applicant: **Acrefine Engineering Services, Ltd.**,
Essex (GB)

(72) Inventor: **Martin M. Deveci**, London (GB)

(73) Assignee: **ACREFINE ENGINEERING SERVICES, LTD.** (GB)

(**) Term: **14 Years**

(21) Appl. No.: **29/507,524**

(22) Filed: **Oct. 28, 2014**

(51) **LOC (10) Cl.** **08-05**

(52) **U.S. Cl.**
USPC **D8/354**; D8/349

(58) **Field of Classification Search**
USPC D8/354, 349, 71, 394, 380, 363, 382,
D8/384, 387, 395, 397, 499; 52/167,
52/167.7, 506.08, 747.1; 248/343
CPC B60G 2202/25; B60G 2202/412;
B60G 2202/43; B60G 2204/128; B60G
2204/129; B60G 2206/41; B60G
2206/1877; E04H 9/021; E04H
9/02; E04B 9/18; E04B 2009/186; E04B
2001/8272; E04B 1/98; F16F
15/046; F16F 15/085; F16F 15/04; F16F
15/02; F16F 7/10; F16F 7/104; F16F
7/1005; F16F 7/108; F16F 3/04; F16F
2230/007; F16M 1/00

See application file for complete search history.

(56) **References Cited**

U.S. PATENT DOCUMENTS

3,348,796 A * 10/1967 Baratoff F16F 7/02
188/268
4,040,590 A * 8/1977 Baratoff F16F 15/02
188/268

4,079,926 A * 3/1978 Nunes F16F 1/06
248/610
D250,088 S * 10/1978 McDonald, Jr. D8/355
4,219,918 A * 9/1980 Klann B25B 27/304
254/10.5
4,356,992 A * 11/1982 Benkert F16F 15/067
248/573
D304,714 S * 11/1989 Tanifuzi D12/1
D336,600 S * 6/1993 Edlund D8/71
D338,383 S * 8/1993 Edlund D8/71
5,242,147 A * 9/1993 Kemeny F16F 7/08
248/635
D366,944 S * 2/1996 Maxwell D25/138
D402,184 S * 12/1998 Smith D13/129
7,028,432 B2 * 4/2006 Manos E04B 9/18
248/343
7,028,969 B2 * 4/2006 Meisel E04H 9/021
248/562

(Continued)

Primary Examiner — Mark Goodwin

(74) *Attorney, Agent, or Firm* — Clark Hill PLC; James R. Foley

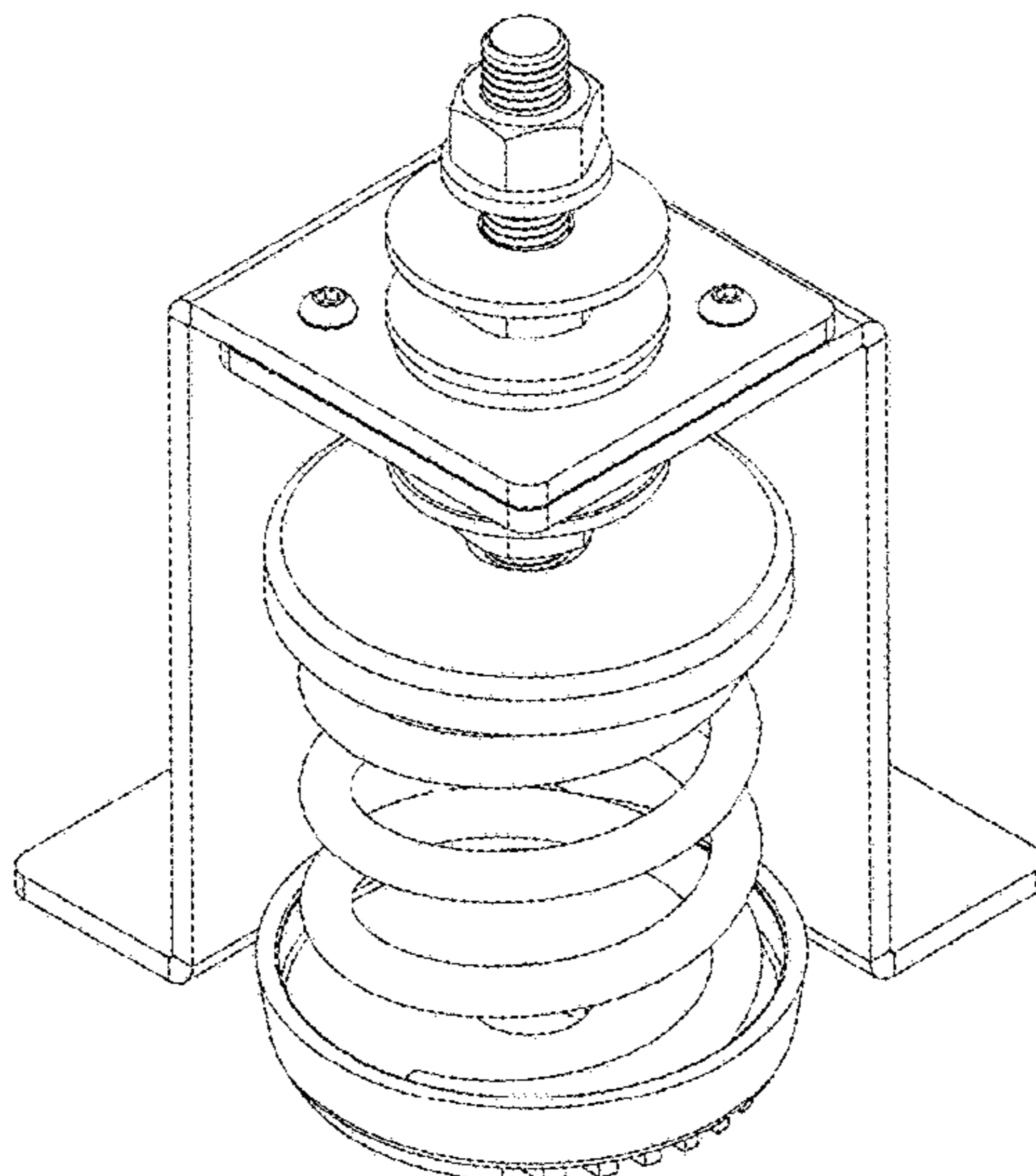
(57) **CLAIM**

The ornamental design for an all-directional seismic (restraint) spring mount with housing, as shown and described.

DESCRIPTION

FIG. 1. is a front view of the all-directional seismic (restraint) spring mount with housing;
FIG. 2. is a rear view thereof;
FIG. 3. is a side view thereof;
FIG. 4. is a top view thereof;
FIG. 5. is a bottom view thereof;
FIG. 6. is a perspective front and side view thereof;
FIG. 7. is a perspective rear and side view thereof; and,
FIG. 8. is a disassembled front and side view thereof.

1 Claim, 2 Drawing Sheets



(56)

References Cited

U.S. PATENT DOCUMENTS

7,077,250 B2 * 7/2006 Folkens F16F 9/16
 188/380
 D541,645 S * 5/2007 Hutton D8/387
 D553,477 S * 10/2007 Kuzukawa D8/354
 D563,205 S * 3/2008 Kuzukawa D8/354
 7,503,553 B2 * 3/2009 Brannan B62D 33/10
 267/248
 D619,880 S * 7/2010 MacDonald D8/354
 7,757,441 B1 * 7/2010 Whittaker B60N 2/0232
 248/562
 D624,398 S * 9/2010 Ham D8/499
 D625,585 S * 10/2010 Kramer D8/380
 D628,539 S * 12/2010 Tezak D13/152
 D643,705 S * 8/2011 Maeda D3/318
 D654,747 S * 2/2012 Deveci D6/582
 D661,576 S * 6/2012 Mathur D8/380
 D662,404 S * 6/2012 Zhang D8/380
 D662,405 S * 6/2012 Zhang D8/380
 D662,406 S * 6/2012 Zhang D8/380
 D662,407 S * 6/2012 Mathur D8/380
 D662,408 S * 6/2012 Mathur D8/380

D662,809 S * 7/2012 Zhang D8/380
 D664,029 S * 7/2012 Mathur D8/380
 D670,160 S * 11/2012 Bitarchas D8/394
 8,733,027 B1 * 5/2014 Marston F24J 2/5249
 24/525
 D729,052 S * 5/2015 Summers D8/387
 9,181,674 B2 * 11/2015 El Nagggar E02D 7/22
 9,316,279 B2 * 4/2016 Meisel F16F 3/04
 D764,249 S * 8/2016 Deveci D8/72
 2003/0051958 A1 * 3/2003 Esche F16F 7/1005
 188/379
 2004/0036002 A1 * 2/2004 Meisel E04H 9/021
 248/638
 2004/0216398 A1 * 11/2004 Manos E04B 9/18
 52/167.1
 2012/0328374 A1 * 12/2012 El Nagggar E02D 7/22
 405/233
 2014/0161560 A1 * 6/2014 Steffl F16B 37/0864
 411/432
 2014/0191104 A1 * 7/2014 Meisel E04H 9/021
 248/624
 2016/0060838 A1 * 3/2016 El Nagggar E02D 7/22
 405/241

* cited by examiner

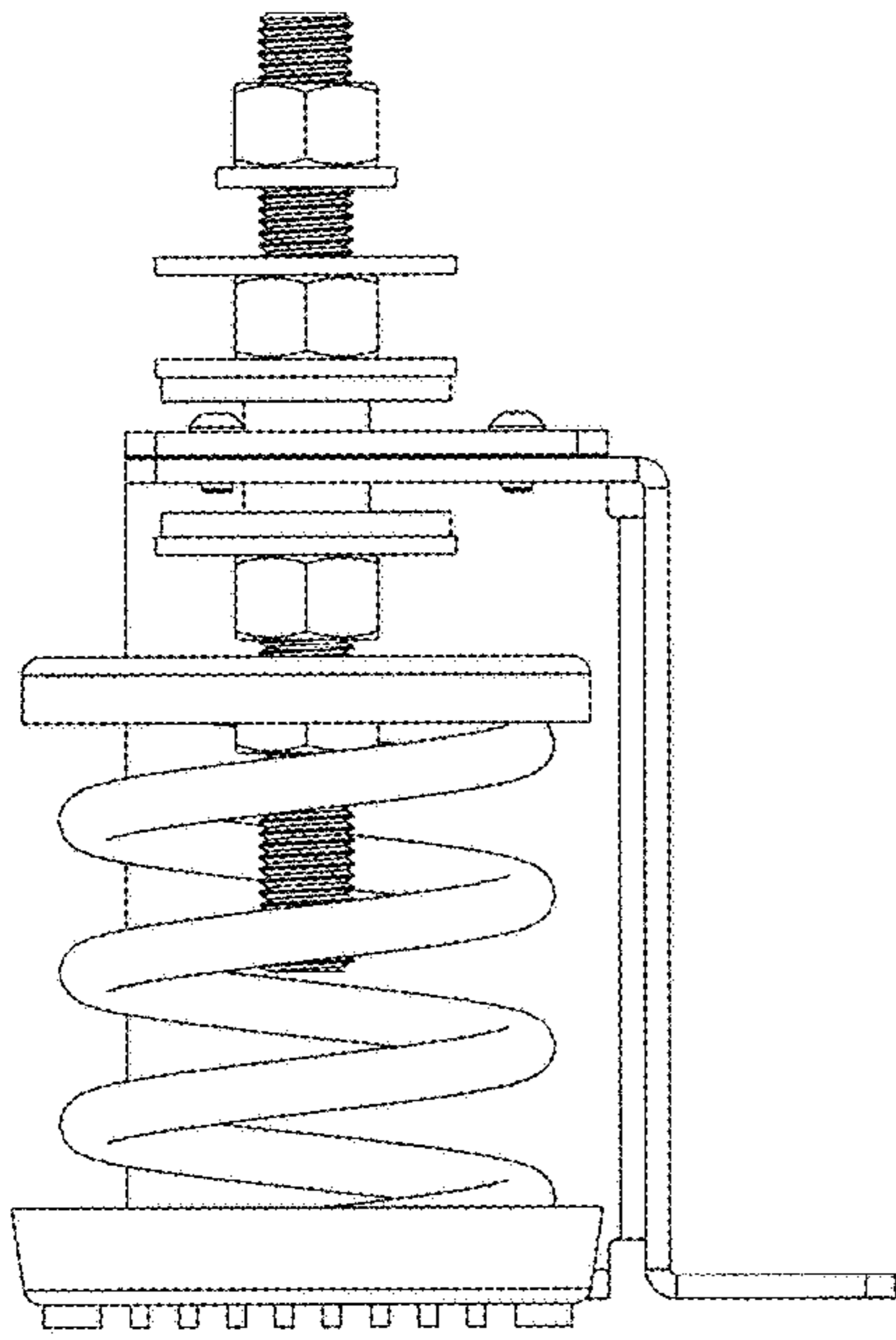


Fig. 1

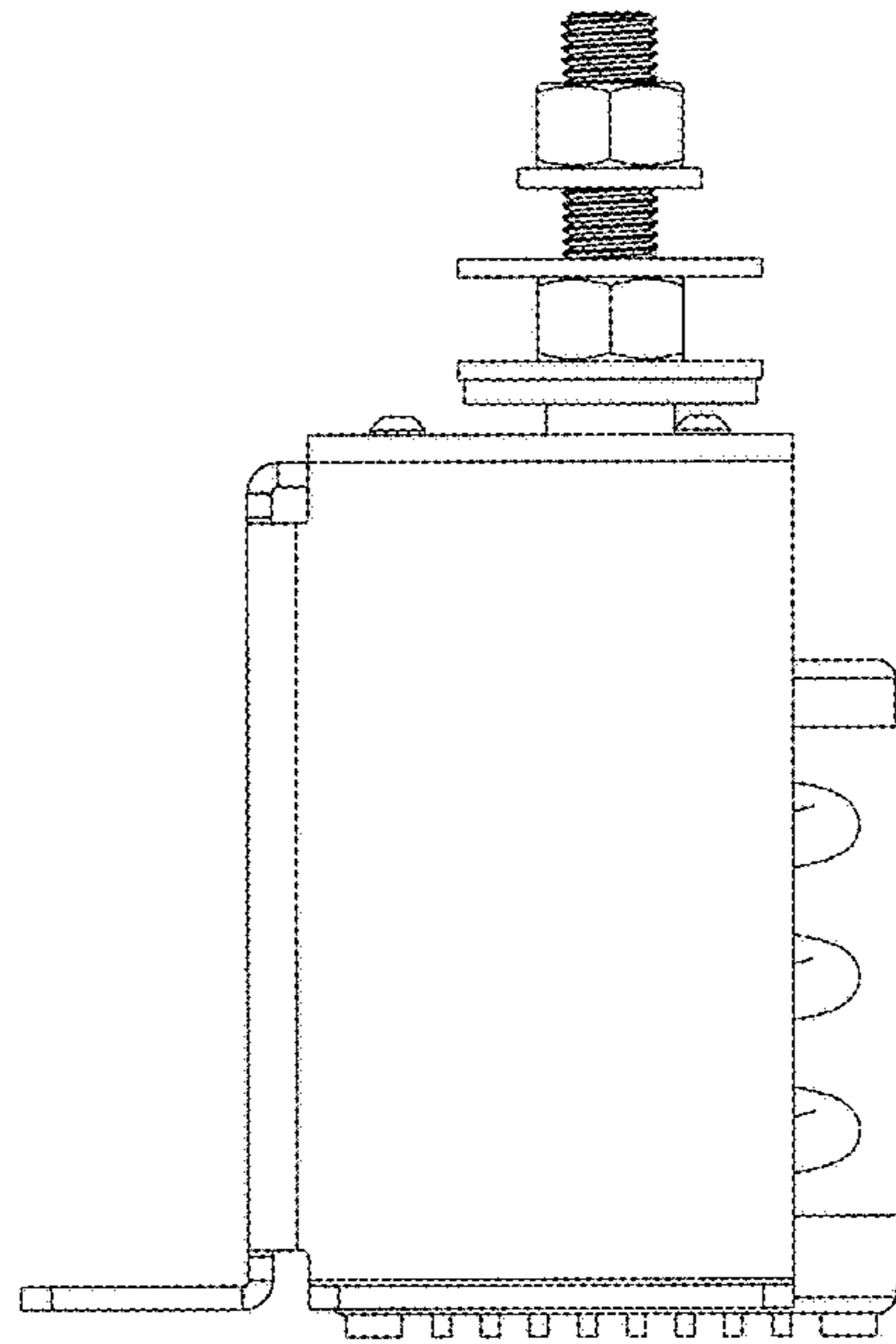


Fig. 2

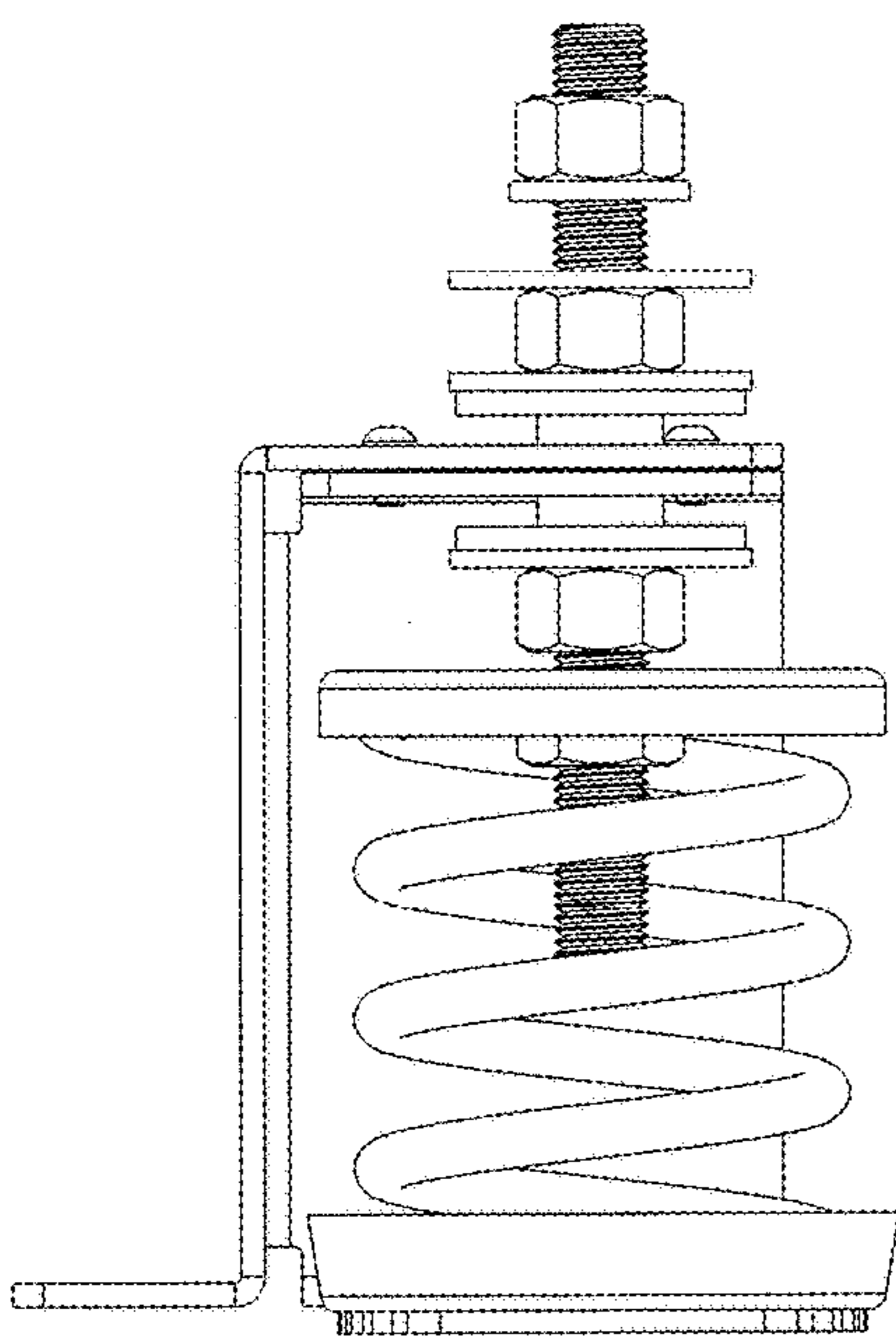


Fig. 3

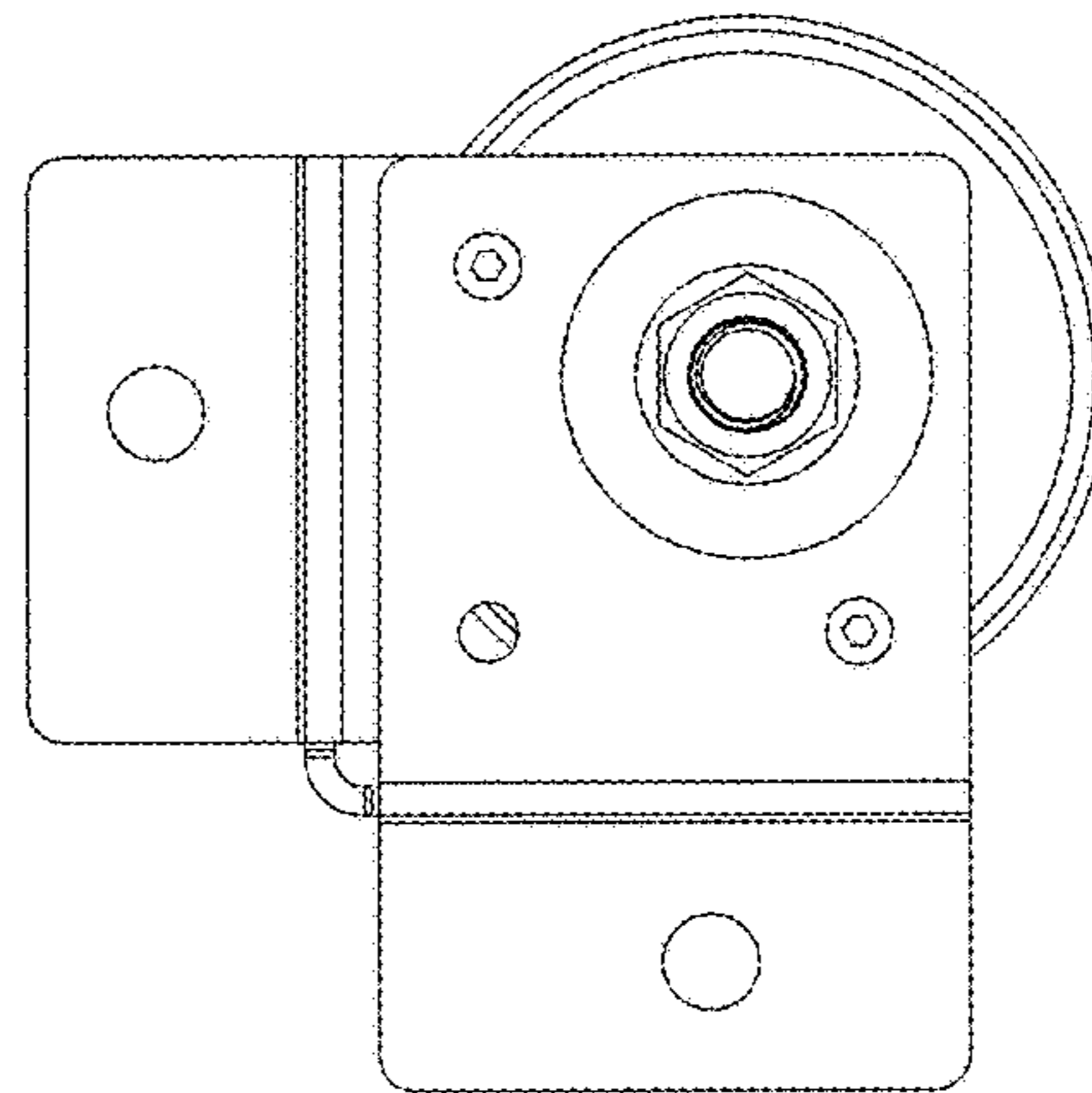


Fig. 4

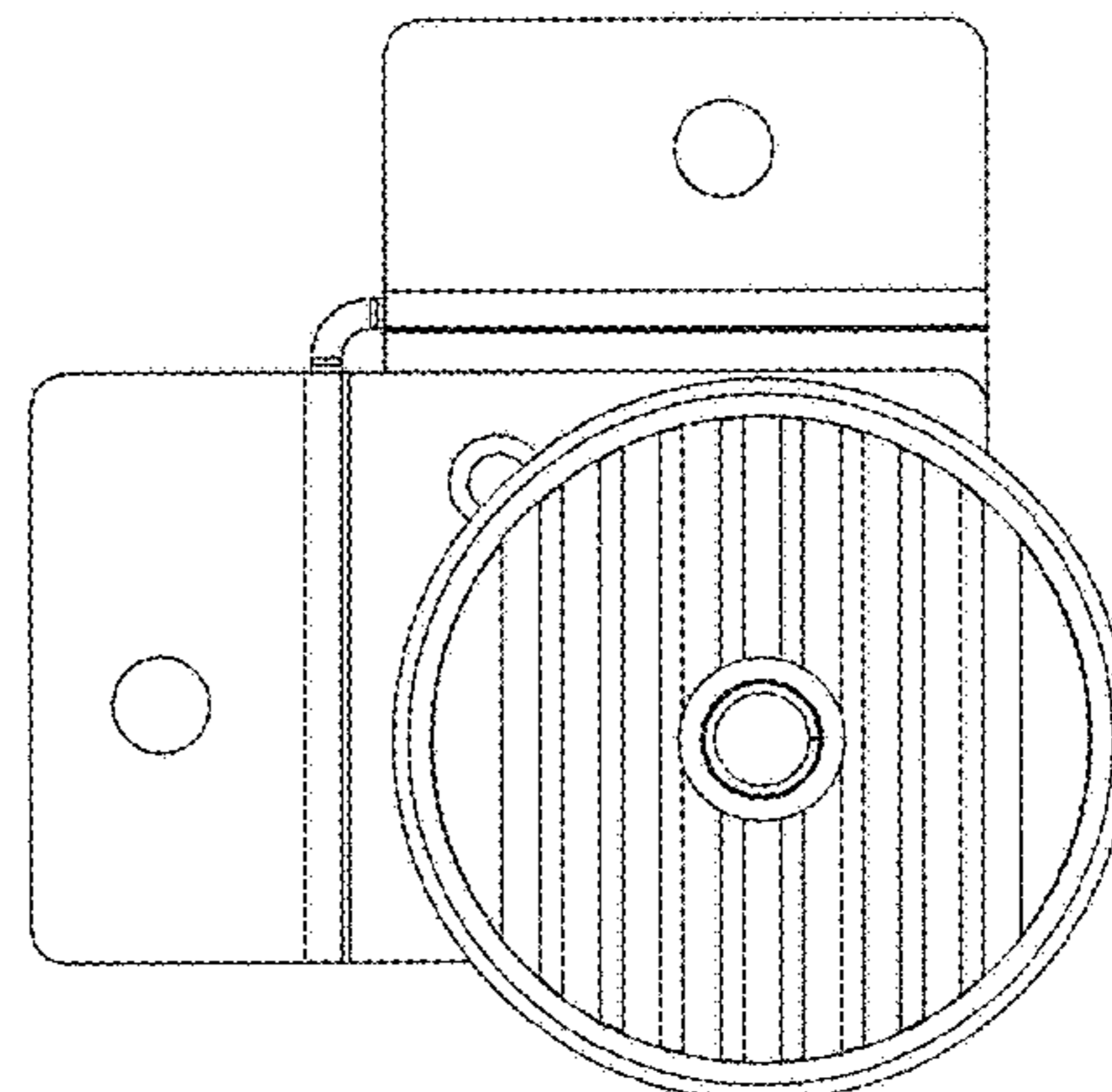


Fig. 5

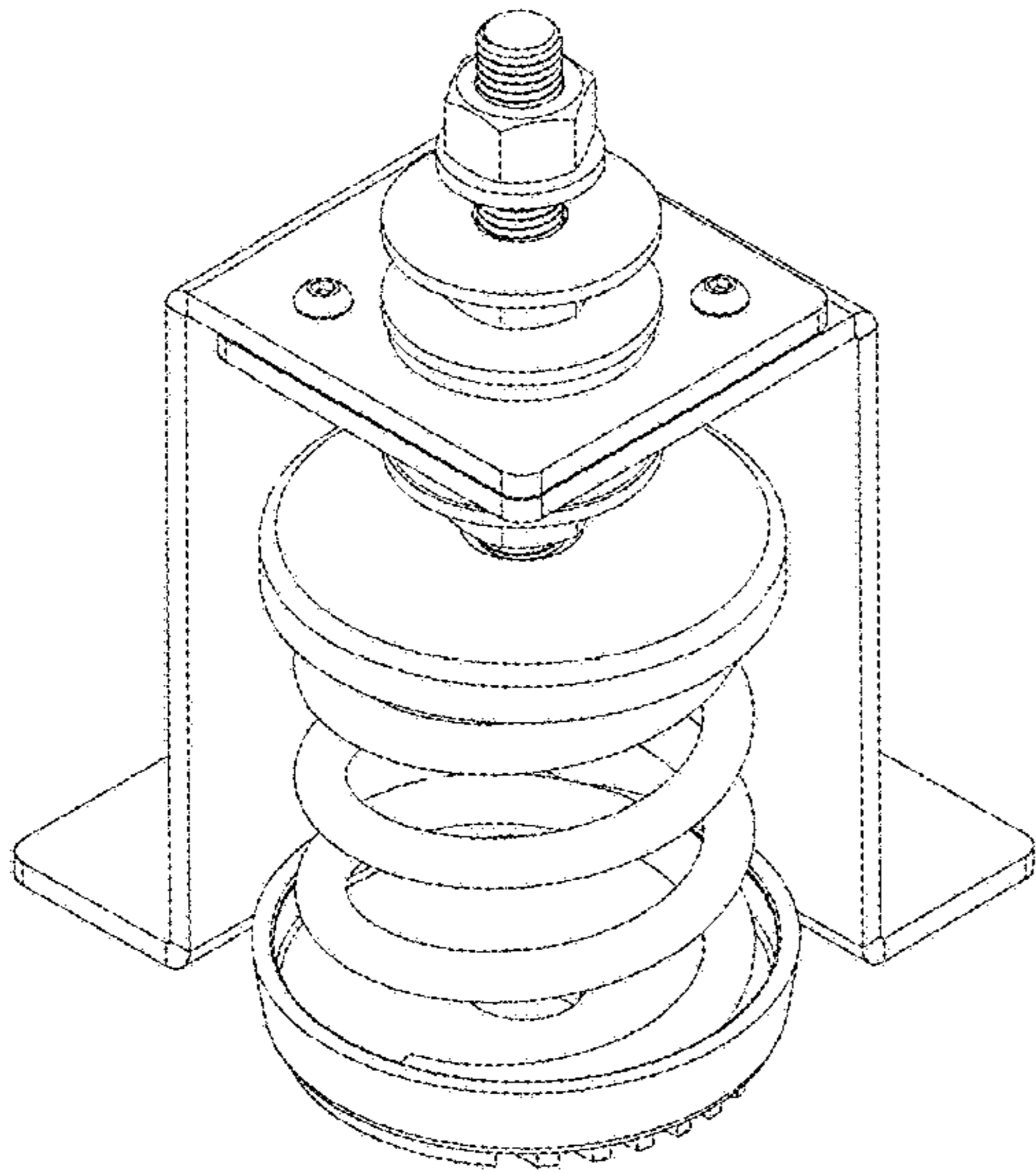


Fig. 6

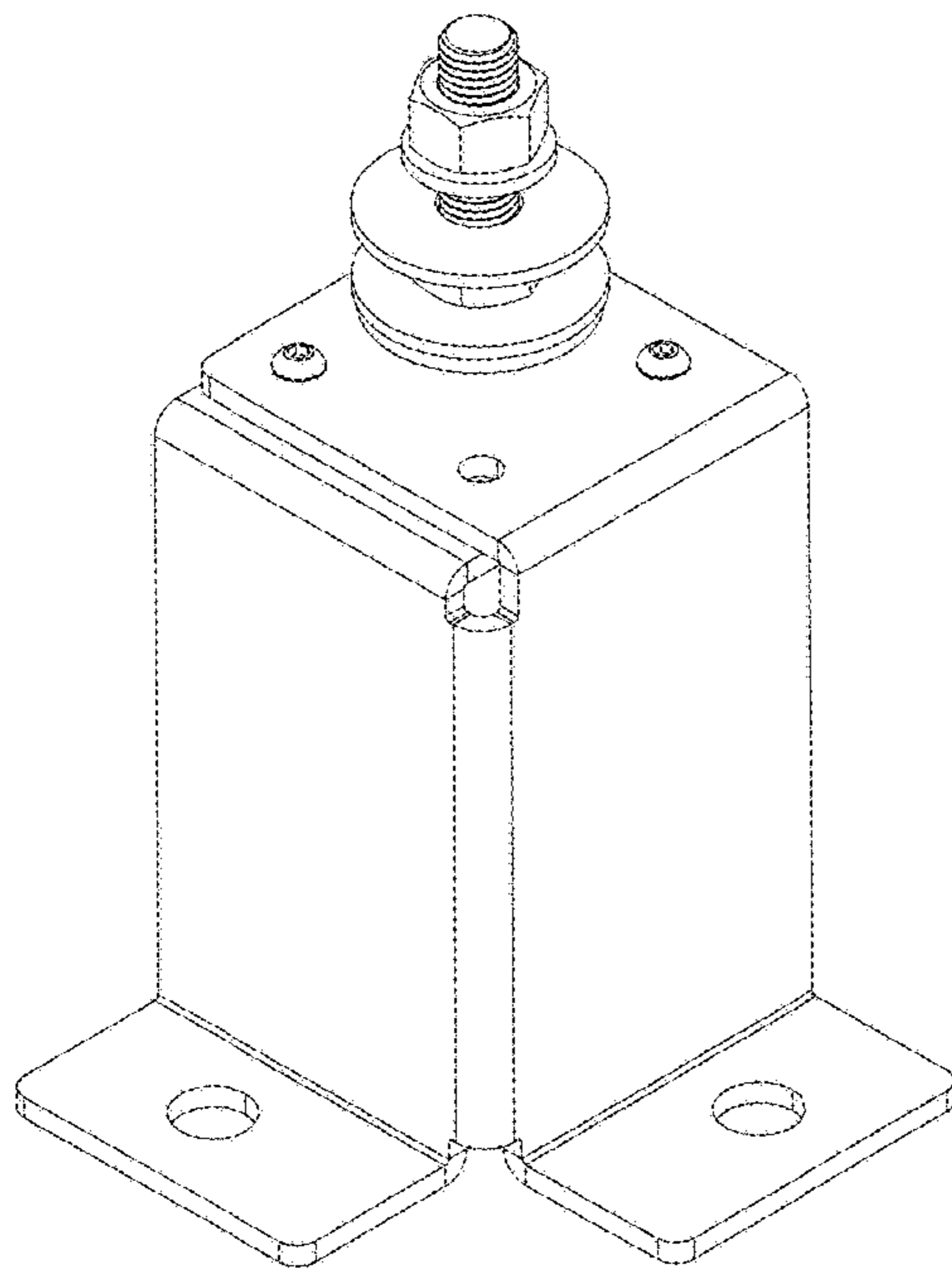


Fig. 7

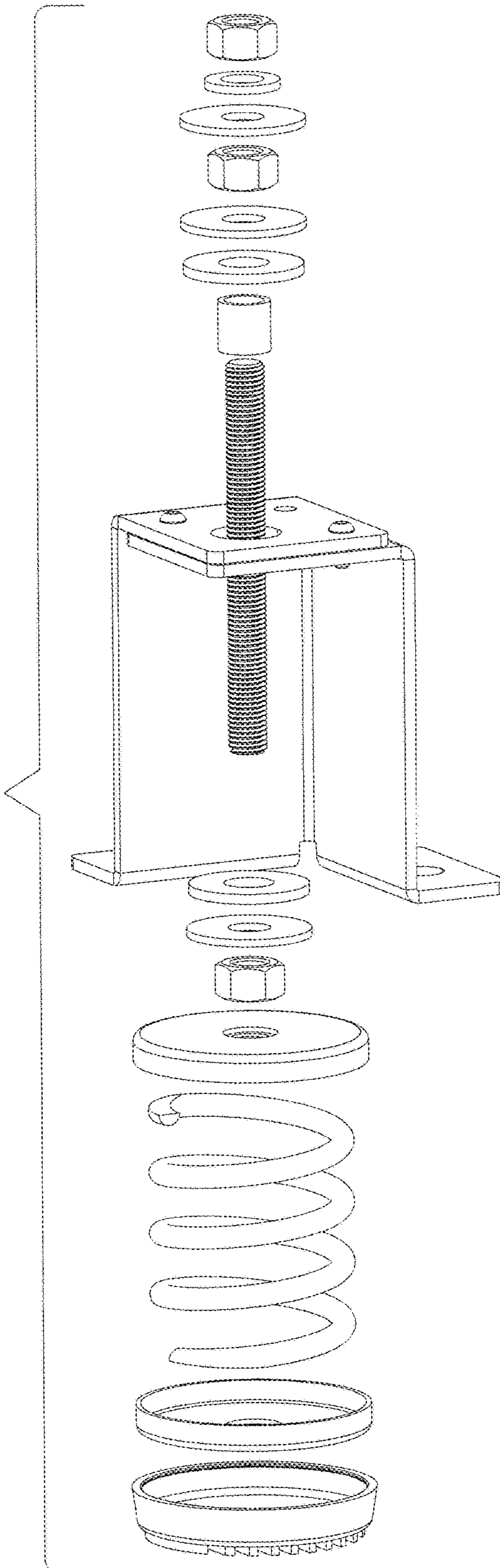


Fig. 8