



US00D777014S

(12) **United States Design Patent**  
**Wolfer**

(10) **Patent No.:** **US D777,014 S**  
(45) **Date of Patent:** **\*\* Jan. 24, 2017**

(54) **INTEGRATED STIFFENER**

(71) Applicant: **Servi-Sure, LLC**, Chicago, IL (US)

(72) Inventor: **Michael Joseph Wolfer**, Riverside, IL (US)

(73) Assignee: **Servi-Sure, LLC**, Chicago, IL (US)

(\*\*) Term: **14 Years**

(21) Appl. No.: **29/499,210**

(22) Filed: **Aug. 12, 2014**

(51) **LOC (10) Cl.** ..... **08-08**

(52) **U.S. Cl.**  
USPC ..... **D8/354**

(58) **Field of Classification Search**  
USPC ..... D8/349, 354; D12/31, 345; 244/119  
CPC ..... B64F 5/0009; B64F 5/00; E04B 5/17;  
E04B 5/29; E04G 11/42; E04G  
11/44; E04G 11/00; E05D 15/16; E05D  
15/24; E06B 3/32; E06B 3/48; C25D  
17/06; C25D 17/08  
See application file for complete search history.

6,508,909 B1 \* 1/2003 Cerezo Pancorbo ... B29C 70/44  
156/245

6,766,984 B1 \* 7/2004 Ochoa ..... B64C 1/12  
244/119

7,134,629 B2 \* 11/2006 Johnson ..... B61D 17/041  
244/119

7,325,771 B2 \* 2/2008 Stulc ..... B64C 1/069  
244/119

7,527,222 B2 \* 5/2009 Biornstad ..... B29C 53/587  
244/119

7,798,340 B2 \* 9/2010 Lin ..... C25D 17/08  
204/297.06

8,353,479 B2 \* 1/2013 Tacke ..... B64C 1/061  
244/119

8,480,030 B2 \* 7/2013 Stephan ..... B64C 1/12  
244/117 R

8,899,522 B2 \* 12/2014 Vinue Santolalla .... B64C 1/064  
244/119

(Continued)

*Primary Examiner* — Mark Goodwin  
(74) *Attorney, Agent, or Firm* — Knobbe, Martens, Olson & Bear, LLP

(57) **CLAIM**

The ornamental design for an integrated stiffener, as shown and described.

(56) **References Cited**

U.S. PATENT DOCUMENTS

3,118,545 A \* 1/1964 Rosner ..... C25D 17/08  
204/297.09

3,290,238 A \* 12/1966 Wierwille ..... C25D 17/08  
204/297.1

3,366,567 A \* 1/1968 Elbaum ..... C25D 17/08  
204/297.07

4,828,202 A \* 5/1989 Jacobs ..... B64C 1/06  
118/268

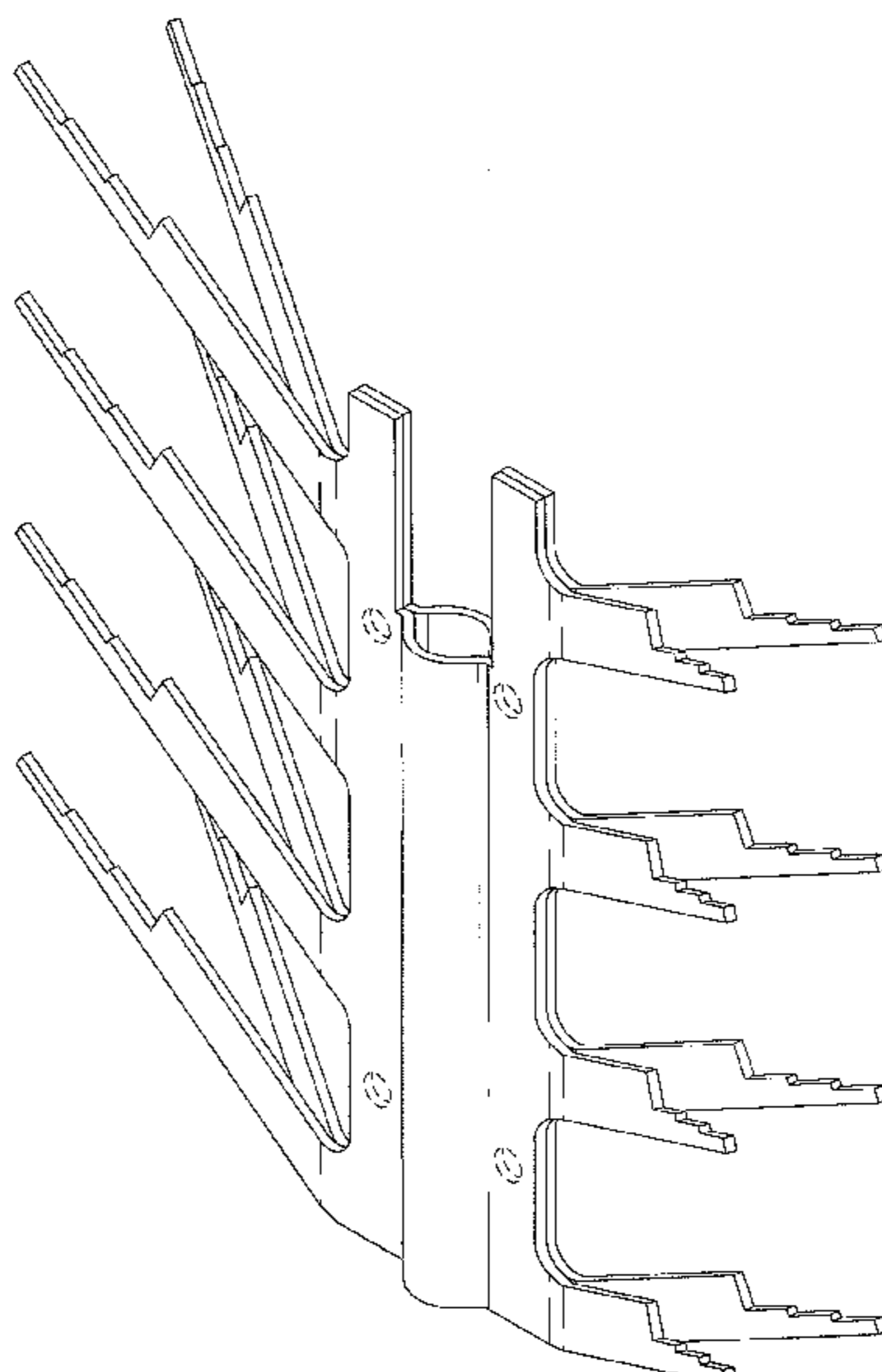
6,170,157 B1 \* 1/2001 Munk ..... B23P 21/00  
244/123.1

6,371,821 B1 \* 4/2002 McCarthy ..... A63B 31/11  
441/64

**DESCRIPTION**

FIG. 1 is a front perspective view of the integrated stiffener of the present design;  
FIG. 2 is a front elevational view thereof, the rear elevational view being a mirror image thereof;  
FIG. 3 is a right side elevational view thereof, the left side elevational view being a mirror image thereof;  
FIG. 4 is a top plan view thereof; and,  
FIG. 5 is a bottom plan view thereof.  
Broken lines are used to illustrate features of the integrated stiffener which form no part of the claimed design.

**1 Claim, 4 Drawing Sheets**



(56)

**References Cited**

U.S. PATENT DOCUMENTS

9,199,417 B1 \* 12/2015 Rotter ..... B29C 70/32  
D752,944 S \* 4/2016 Wolfer ..... D8/300  
2008/0142461 A1 \* 6/2008 Lin ..... C25D 17/08  
211/113  
2015/0034763 A1 \* 2/2015 Marin ..... B64C 1/061  
244/119  
2015/0321742 A1 \* 11/2015 Mialhe ..... B64C 1/06  
244/119  
2016/0244185 A1 \* 8/2016 Pham ..... B64F 5/0009

\* cited by examiner

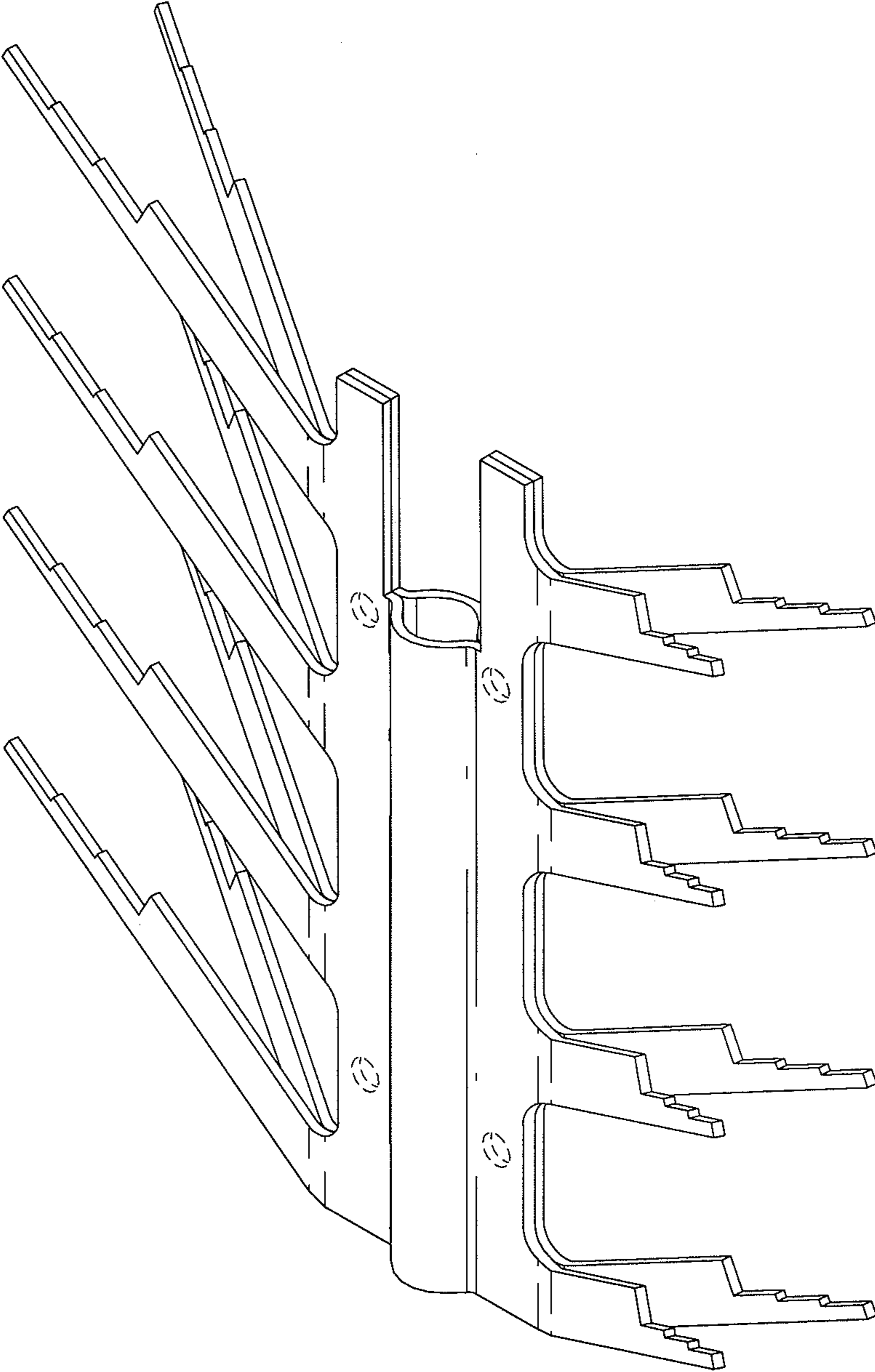


FIG. 1

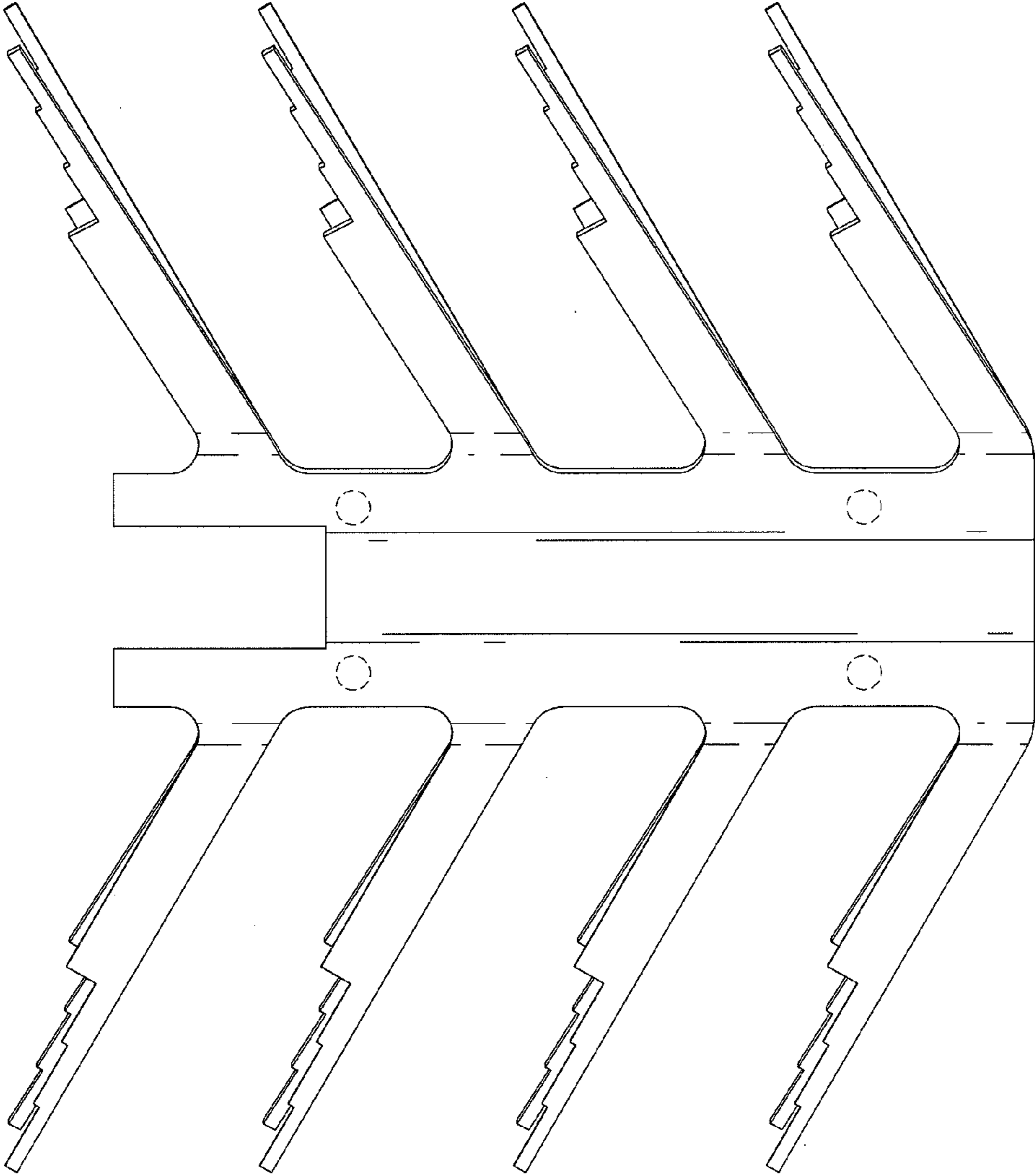


FIG. 2

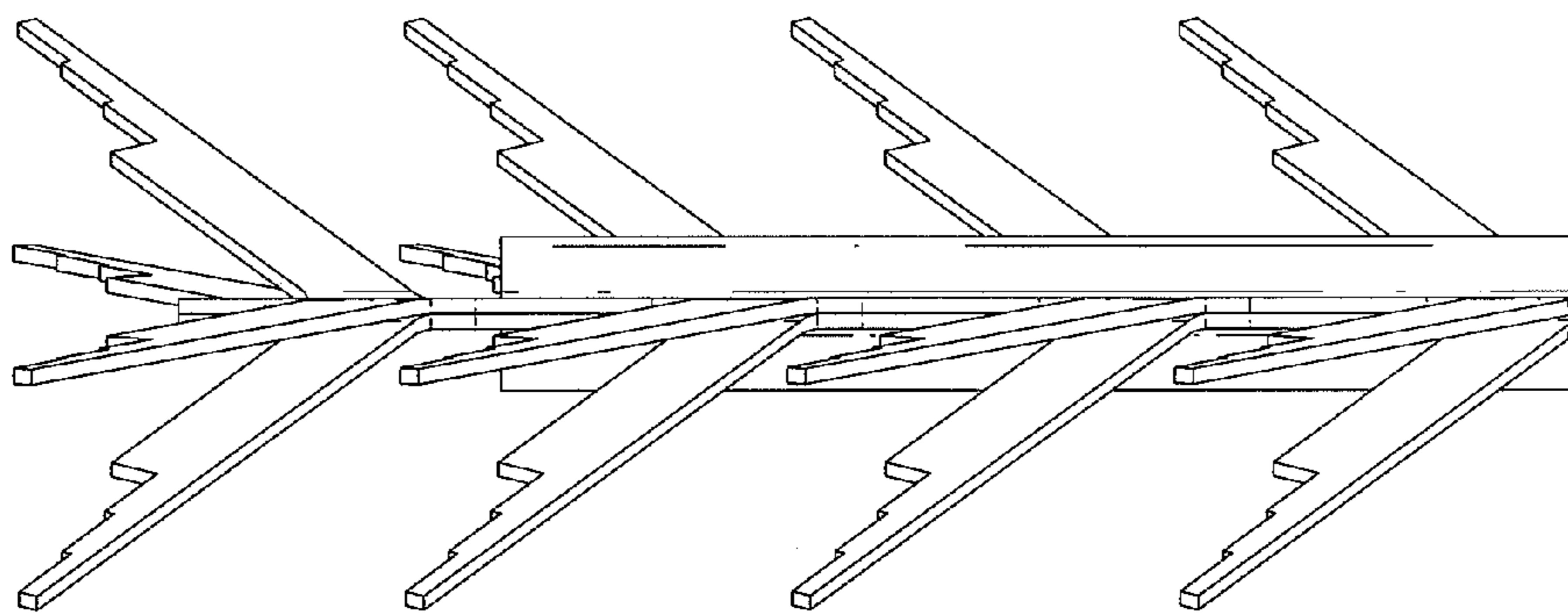


FIG. 3

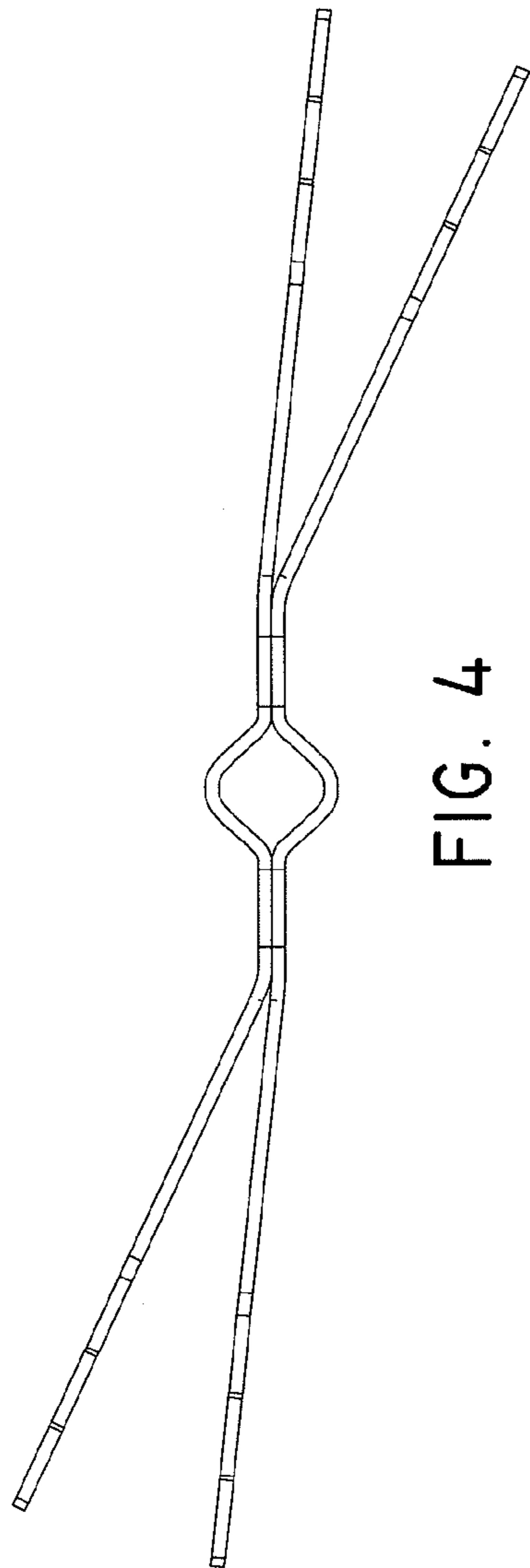


FIG. 4

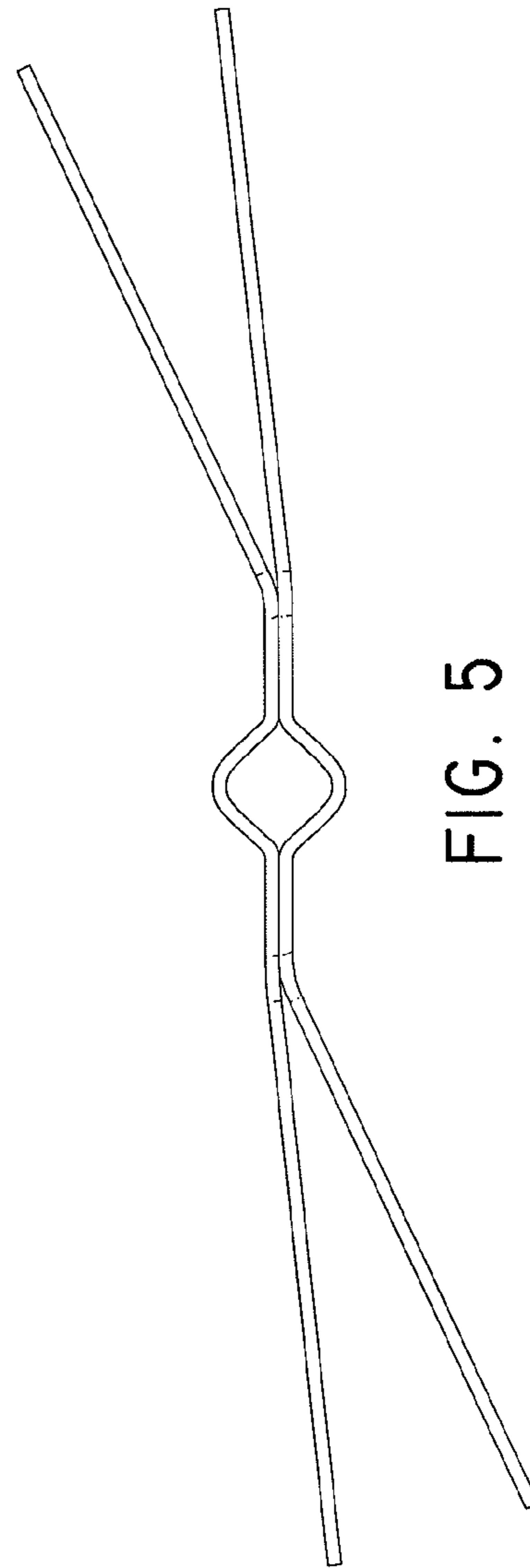


FIG. 5