



US00D777012S

(12) **United States Design Patent** (10) **Patent No.:** **US D777,012 S**
Johnson (45) **Date of Patent:** **** Jan. 24, 2017**

(54) **HEART AND DIAMOND LOCK**
(71) Applicant: **Brent E. Johnson**, Wheeling, IL (US)
(72) Inventor: **Brent E. Johnson**, Wheeling, IL (US)
(**) Term: **14 Years**
(21) Appl. No.: **29/522,880**
(22) Filed: **Apr. 3, 2015**
(51) **LOC (10) Cl.** **11-05**
(52) **U.S. Cl.**
USPC **D8/351**
(58) **Field of Classification Search**
USPC D8/330, 331, 336, 338, 339, 340, 343,
D8/350-353, 300, 301; 70/14, 20, 51, 57,
70/57.1, 91, 107, 141, 472, 277, 279.1,
70/284-286, 314, DIG. 44; 292/2, 32,
292/137, 288, 289, 290, 292
CPC G05B 19/00; G05B 15/00; E05B 49/00;
E05B 49/02; E05B 9/00; E05B
17/00; E05B 37/00; E05B 3/00; E05B
13/103; E05B 1/00; E05B 47/00; Y10T
70/8324; Y10T 70/8459; Y10T 70/8514;
Y10T 70/8568
See application file for complete search history.

D368,653 S * 4/1996 Lyons D11/132
D397,307 S * 8/1998 Shenhav D11/79
D397,308 S * 8/1998 Shenhav D11/79
D397,638 S * 9/1998 Shenhav D11/81
D474,992 S * 5/2003 Deorah D11/40
D484,823 S * 1/2004 Pachachi D11/56
D542,165 S * 5/2007 Ayr-Popowski D10/106.1
D566,524 S * 4/2008 Daas D8/347
D567,137 S * 4/2008 Rydlewicz D11/90
D603,686 S * 11/2009 Sinisi D8/351
D611,441 S * 3/2010 Johansson D14/138 AB
D690,617 S * 10/2013 Lawlor D11/103
D703,026 S * 4/2014 Wu D8/350
D712,301 S * 9/2014 Tipp D11/56
D720,213 S * 12/2014 Lee D9/629
D731,738 S * 6/2015 Jackson D99/3
D741,063 S * 10/2015 Broyles D3/271.1
D741,722 S * 10/2015 Oaknin D9/629

* cited by examiner

Primary Examiner — Mark Goodwin
(74) *Attorney, Agent, or Firm* — Blanchard & Associates

(57) **CLAIM**

The ornamental design for a heart and diamond lock, as shown and described.

DESCRIPTION

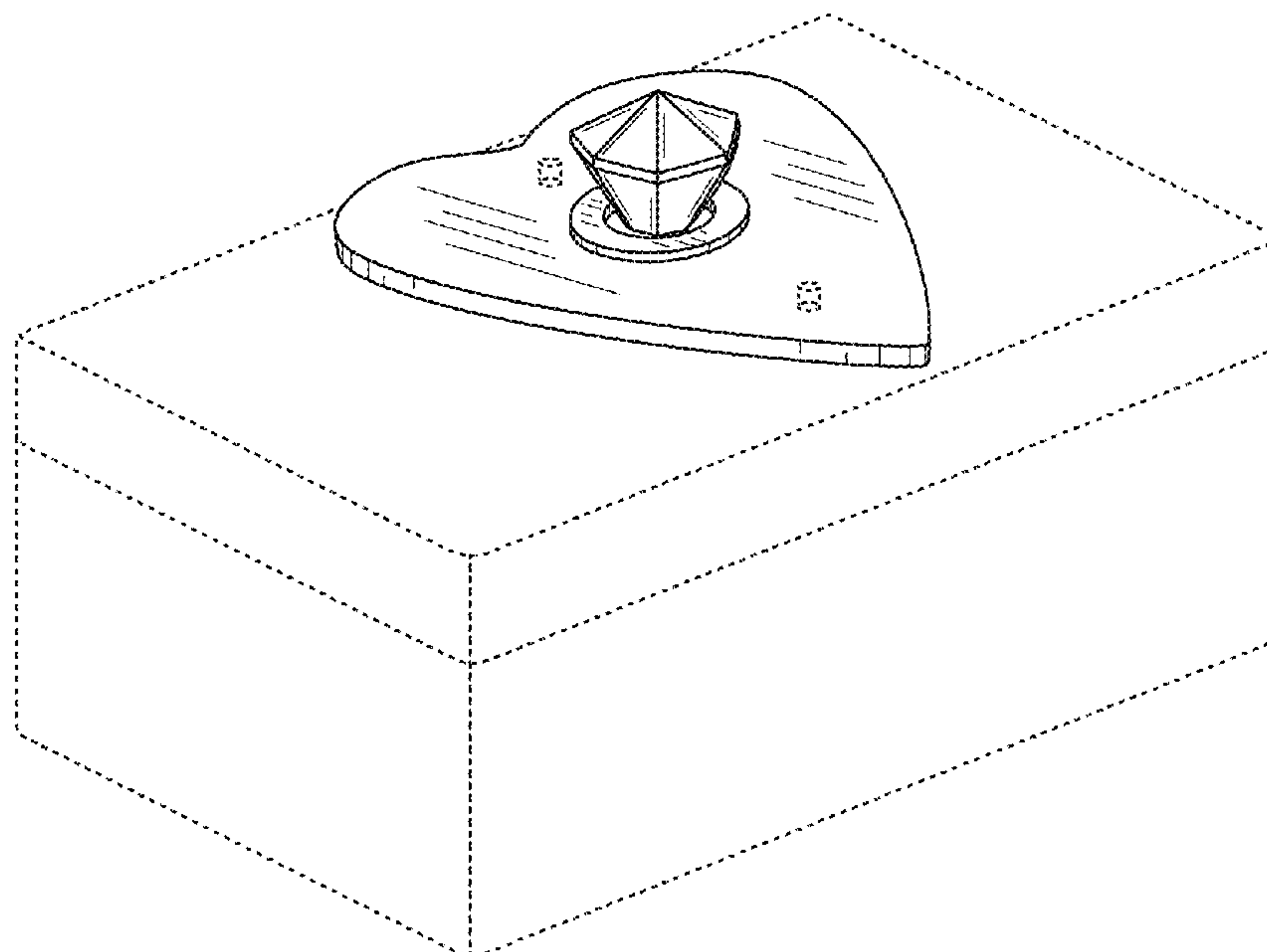
FIG. 1 is a perspective view of a heart and diamond lock, showing my new, original and ornamental design; FIG. 2 is a front elevational view thereof; FIG. 3 is a back elevational view thereof; FIG. 4 is a top plan view thereof; FIG. 5 is a bottom plan view thereof; FIG. 6 is a left side elevational view thereof; and, FIG. 7 is a right side elevational view thereof. The broken line showing is included for the purpose of illustrating and forms no part of the claimed design.

1 Claim, 3 Drawing Sheets

(56) **References Cited**

U.S. PATENT DOCUMENTS

D6,614 S * 4/1873 Bringman D8/307
D132,246 S * 5/1942 Clarke D11/136
D205,904 S * 10/1966 Smith D8/312
D250,699 S * 1/1979 Barr D11/103
D261,742 S * 11/1981 McTighe D11/56
4,534,190 A * 8/1985 Stanich E05B 67/02
70/54
D308,284 S * 6/1990 Bergman D11/56



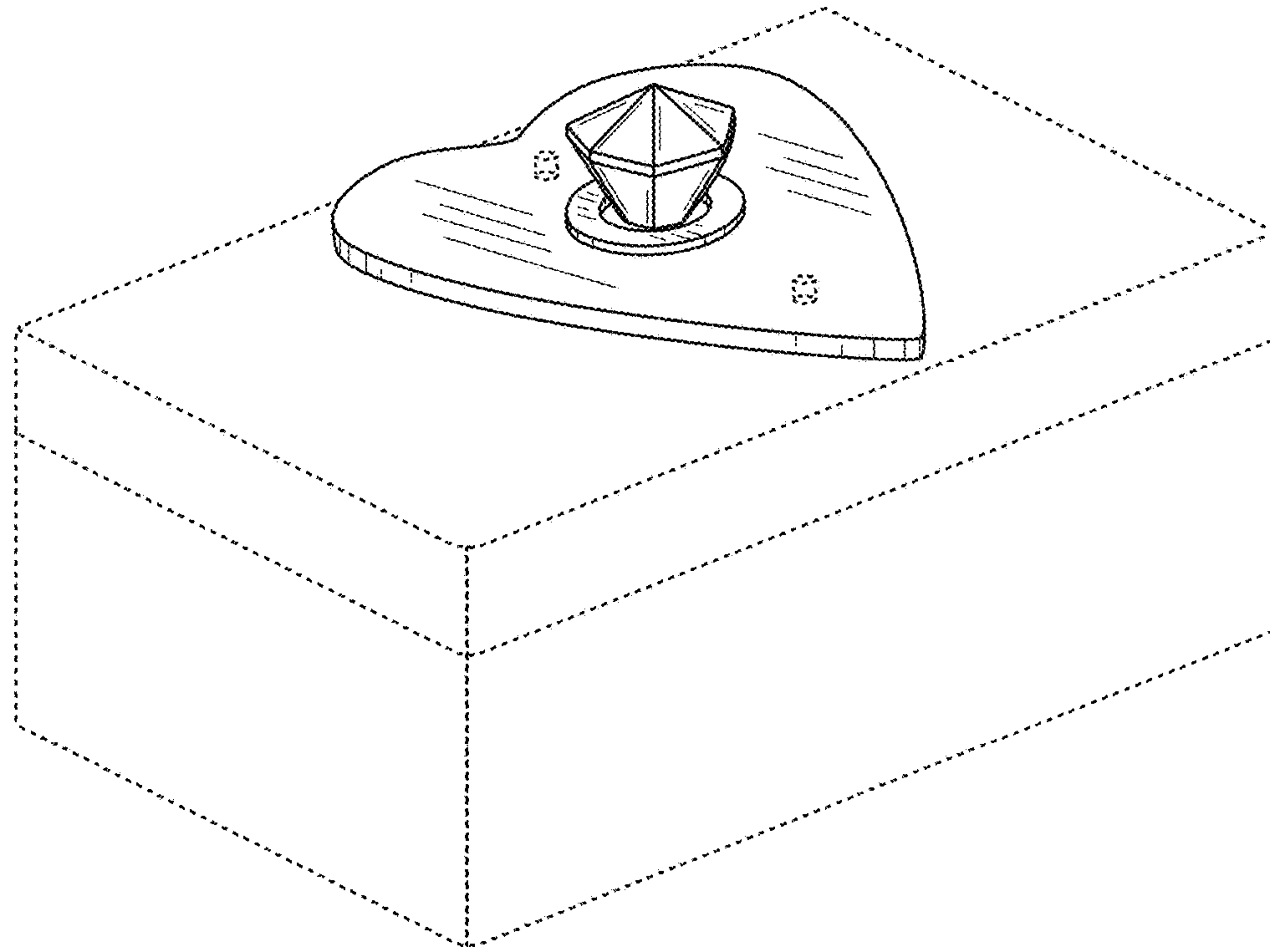


FIGURE 1

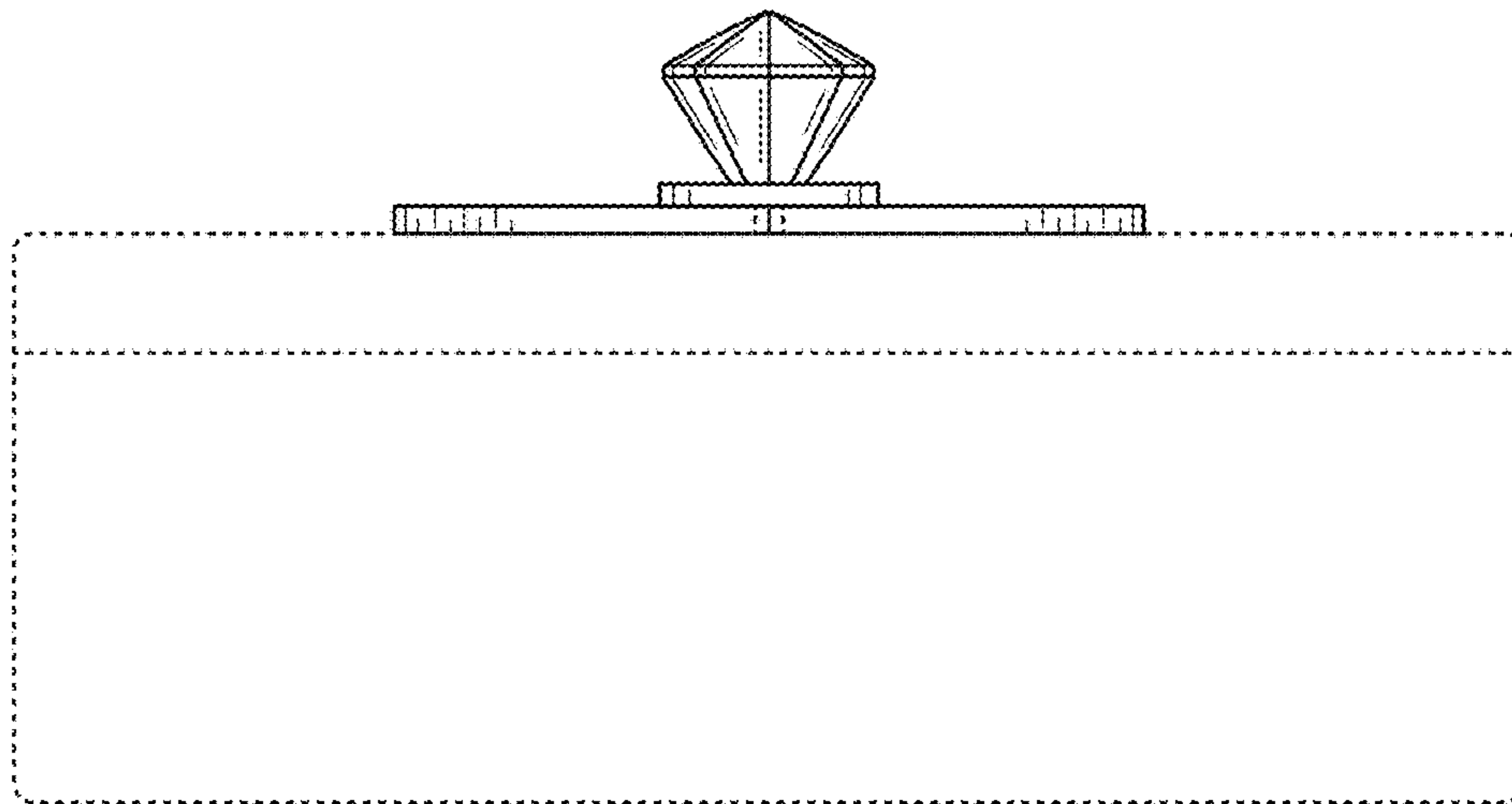


FIGURE 2

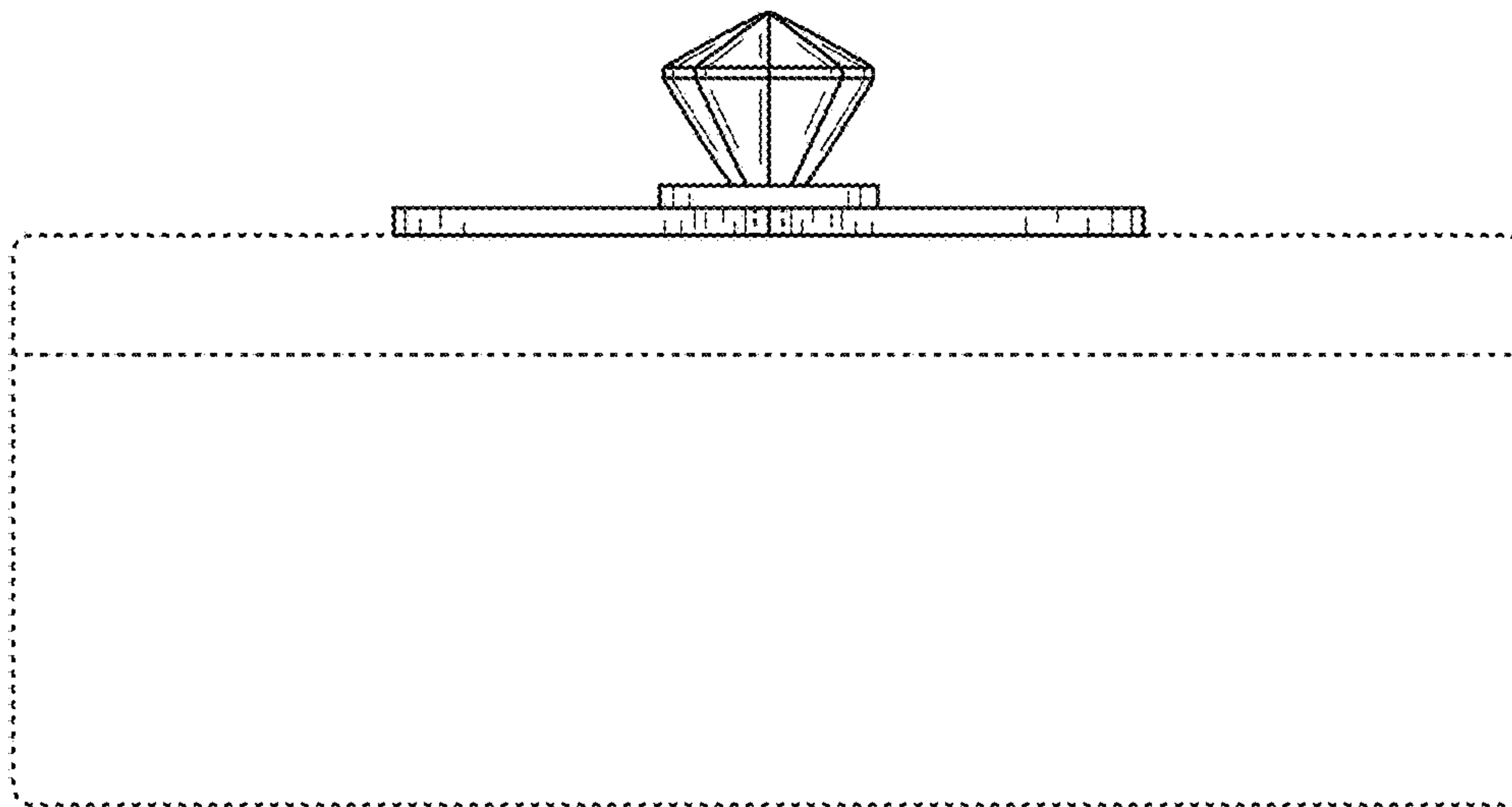


FIGURE 3

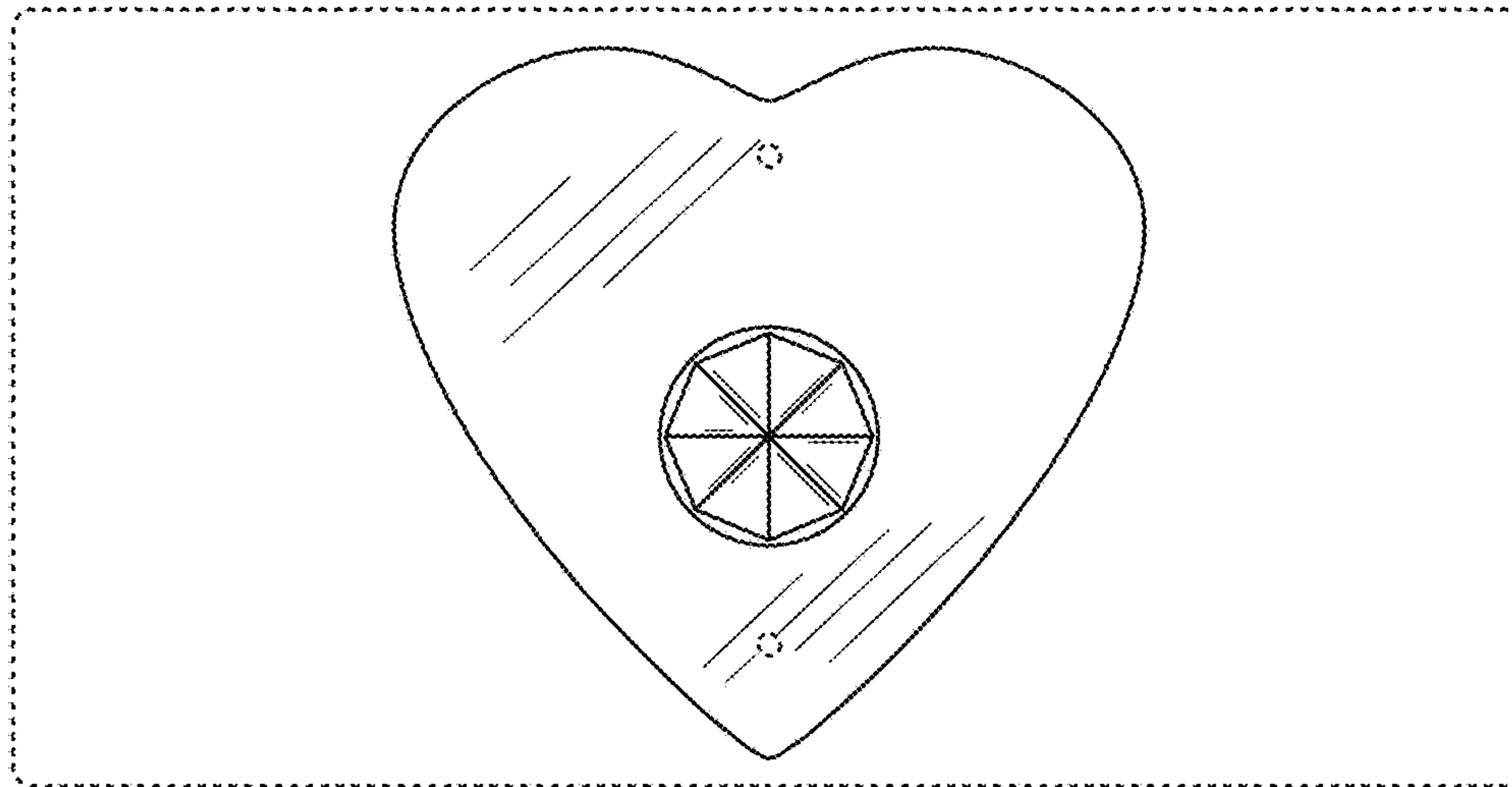


FIGURE 4

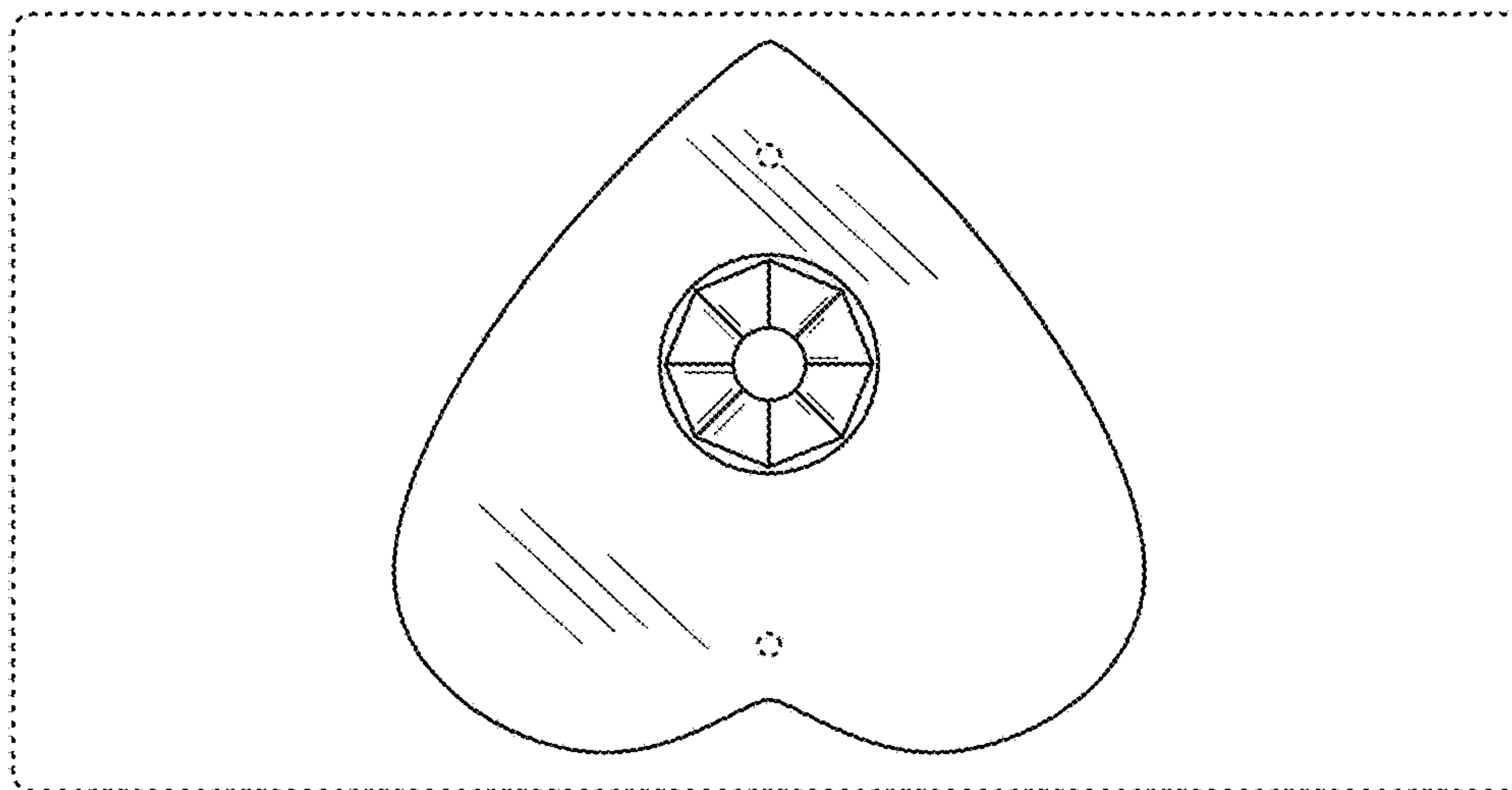


FIGURE 5

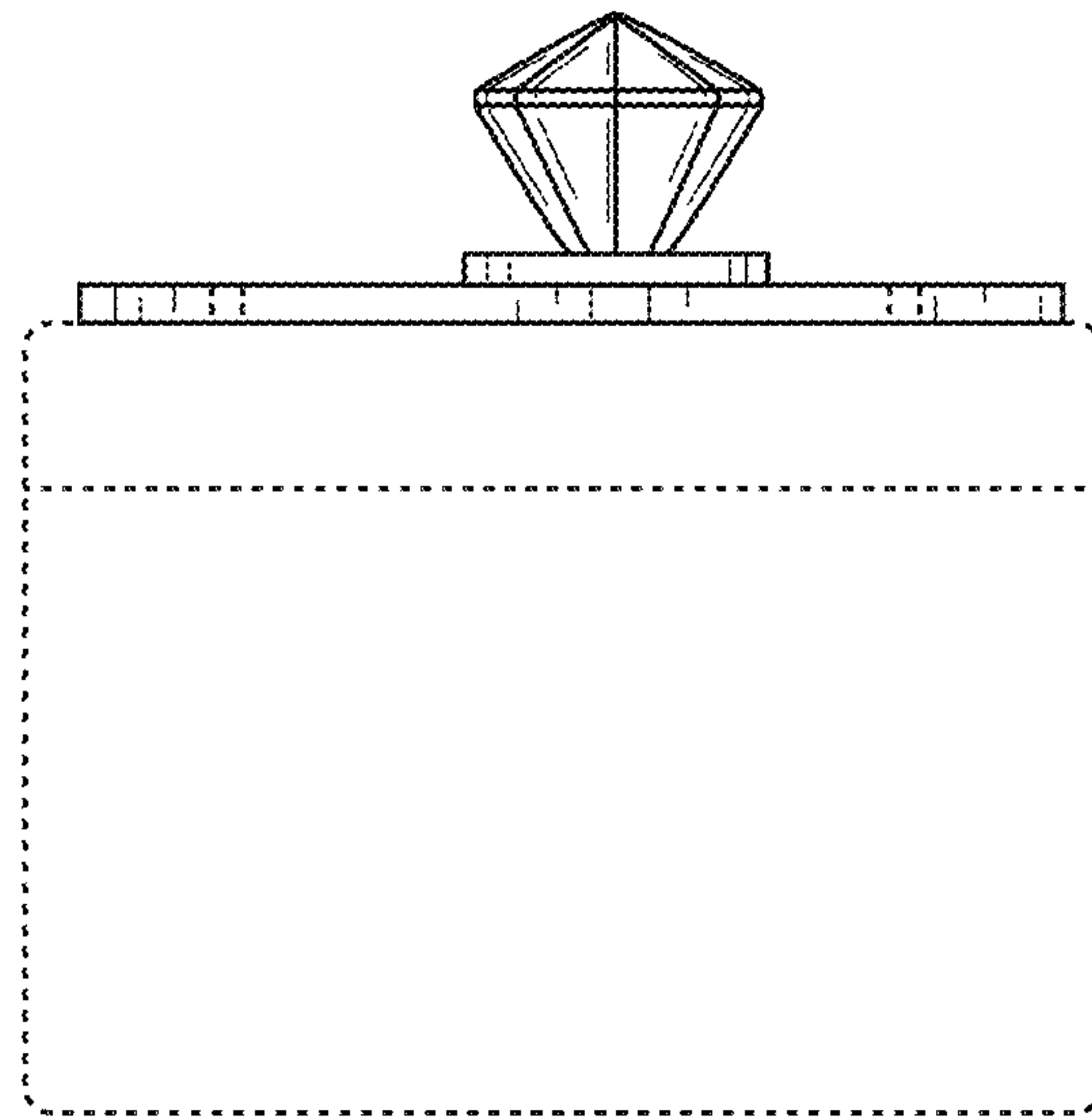


FIGURE 6

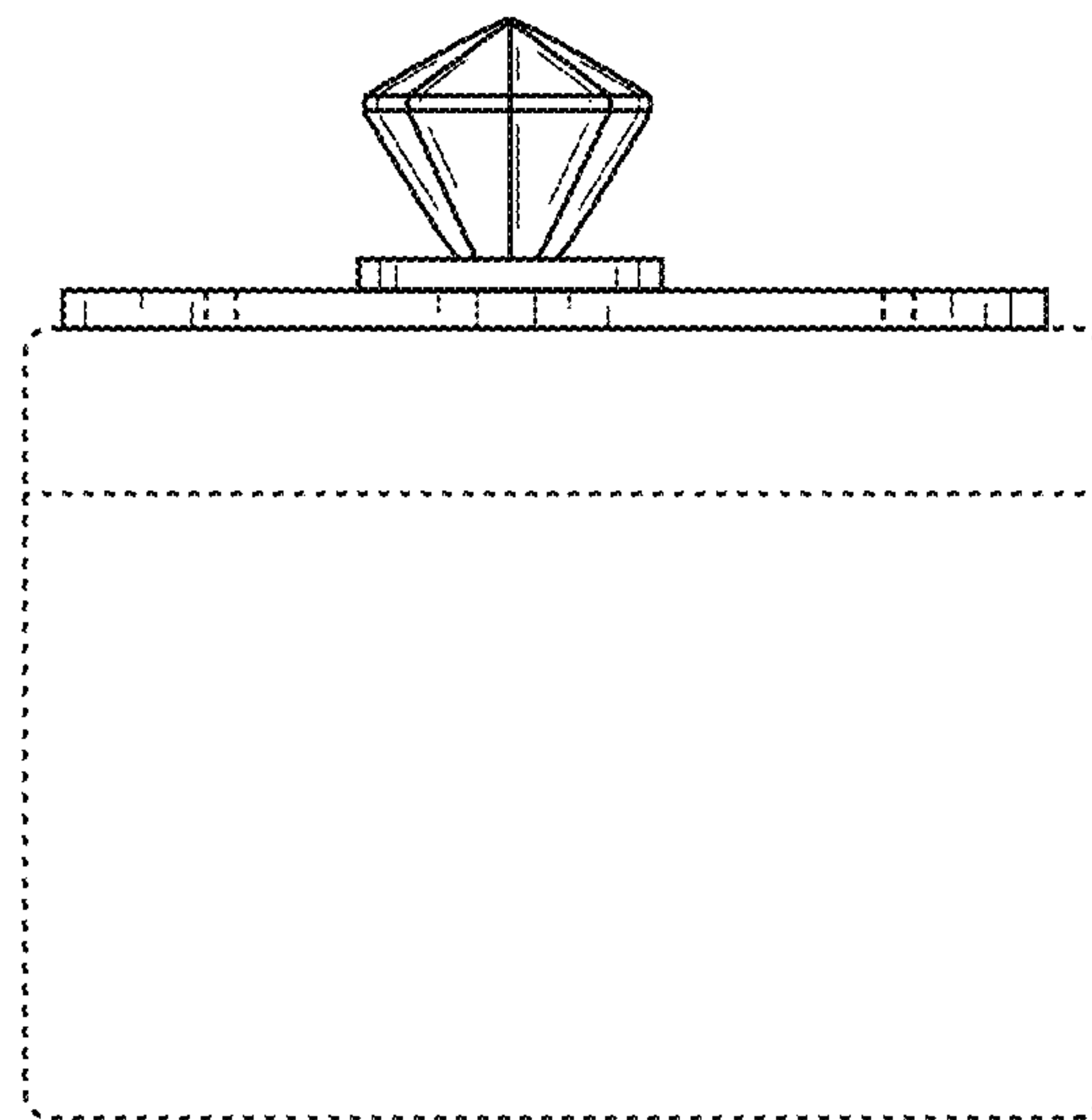


FIGURE 7