



US00D777010S

(12) **United States Design Patent**
Sarnowski et al.

(10) **Patent No.:** **US D777,010 S**

(45) **Date of Patent:** **** Jan. 24, 2017**

- (54) **ROLLER SLAM LATCH KEEPER**
- (71) Applicant: **GEM Products, Inc.**, Orange Park, FL (US)
- (72) Inventors: **Jason Sarnowski**, Jacksonville, FL (US); **Matthew Stewart Onorato**, Jacksonville, FL (US)
- (**) Term: **15 Years**
- (21) Appl. No.: **29/547,611**
- (22) Filed: **Dec. 4, 2015**
- (51) **LOC (10) Cl.** **08-07**
- (52) **U.S. Cl.**
USPC **D8/331**
- (58) **Field of Classification Search**
USPC ... D8/330, 331, 335, 339, 302, 343; 70/141, 70/208; 292/336.3, 169, 358, 359, 170, 292/175, 165, 224, 140-145, 240-242, 292/DIG. 14, DIG. 30, DIG. 31, DIG. 4
CPC E05C 1/12; E05C 1/02; E05C 3/12; E05C 3/08; E05C 19/00; E05B 3/00
See application file for complete search history.

- 5,603,535 A * 2/1997 Antonucci E05B 65/0835
292/128
- 5,934,716 A * 8/1999 Koveal E05C 1/10
292/175
- D425,393 S * 5/2000 Larsen D8/302
- D458,110 S * 6/2002 Landeros D8/331
- D678,750 S * 3/2013 Tung D8/331
- 8,393,655 B2 * 3/2013 Barge E05C 17/52
292/340
- 8,430,435 B2 * 4/2013 Juga E05B 63/0056
292/163
- 9,290,980 B2 * 3/2016 Kramer E05F 5/04
- 9,309,701 B2 * 4/2016 Jeffries B25H 3/02

* cited by examiner

Primary Examiner — Prabhakar Deshmukh
(74) *Attorney, Agent, or Firm* — Seyfarth Shaw LLP

(57) **CLAIM**

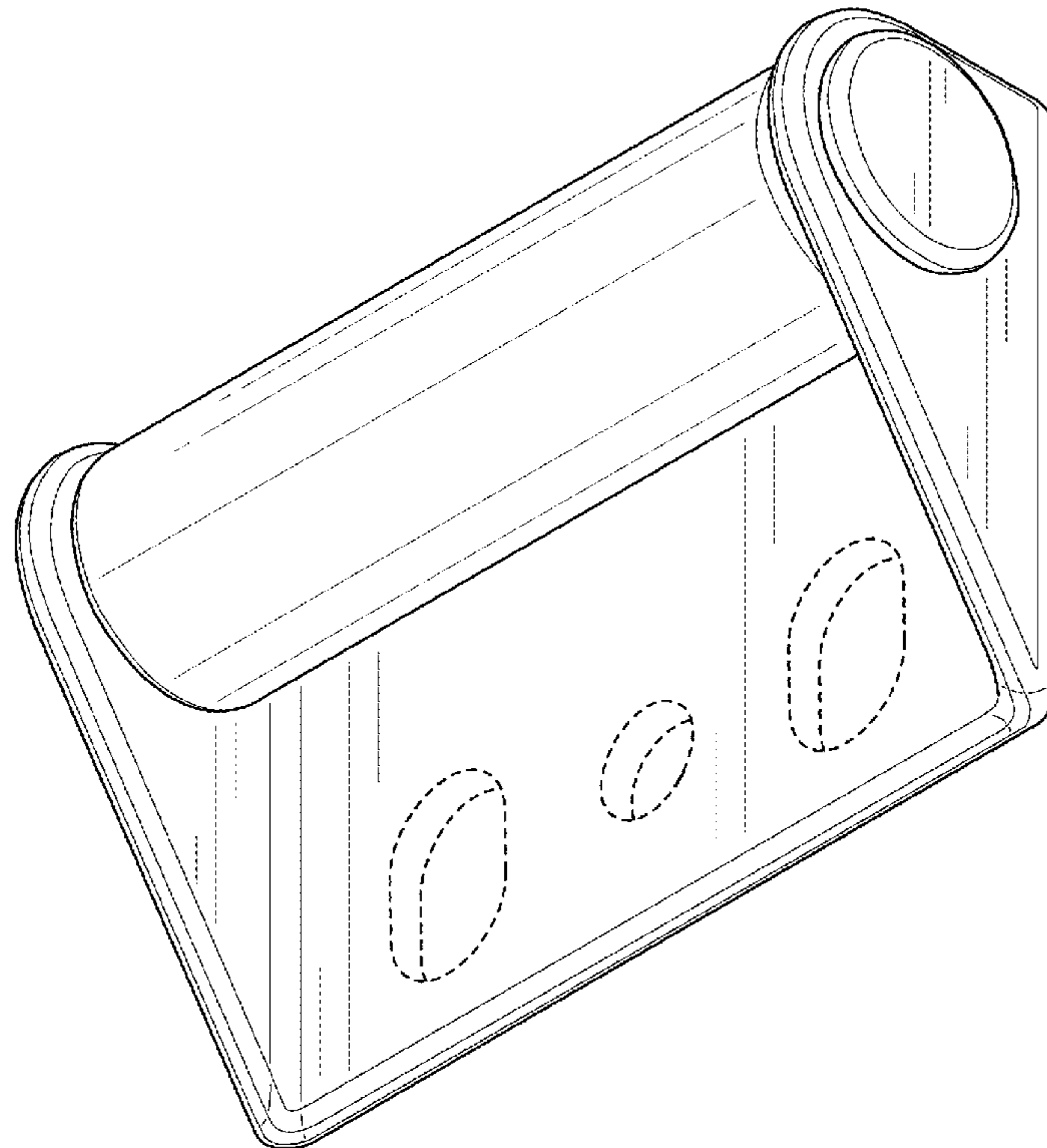
The ornamental design for a roller slam latch keeper, as shown and described.

DESCRIPTION

FIG. 1 is a perspective side view of an embodiment of our roller slam latch keeper;
FIG. 2 is a front view thereof;
FIG. 3 is a rear view thereof;
FIG. 4 is left side view thereof;
FIG. 5 is a right side view thereof;
FIG. 6 is a top view thereof; and,
FIG. 7 is a bottom view thereof.
The broken lines shown in the figures are for environmental purposes only and form no part of the claimed design.

1 Claim, 7 Drawing Sheets

- (56) **References Cited**
U.S. PATENT DOCUMENTS
3,841,674 A * 10/1974 Bisbing E05B 5/00
292/175
3,850,464 A * 11/1974 Bisbing E05B 5/00
292/175
D347,155 S * 5/1994 Schlack D8/331



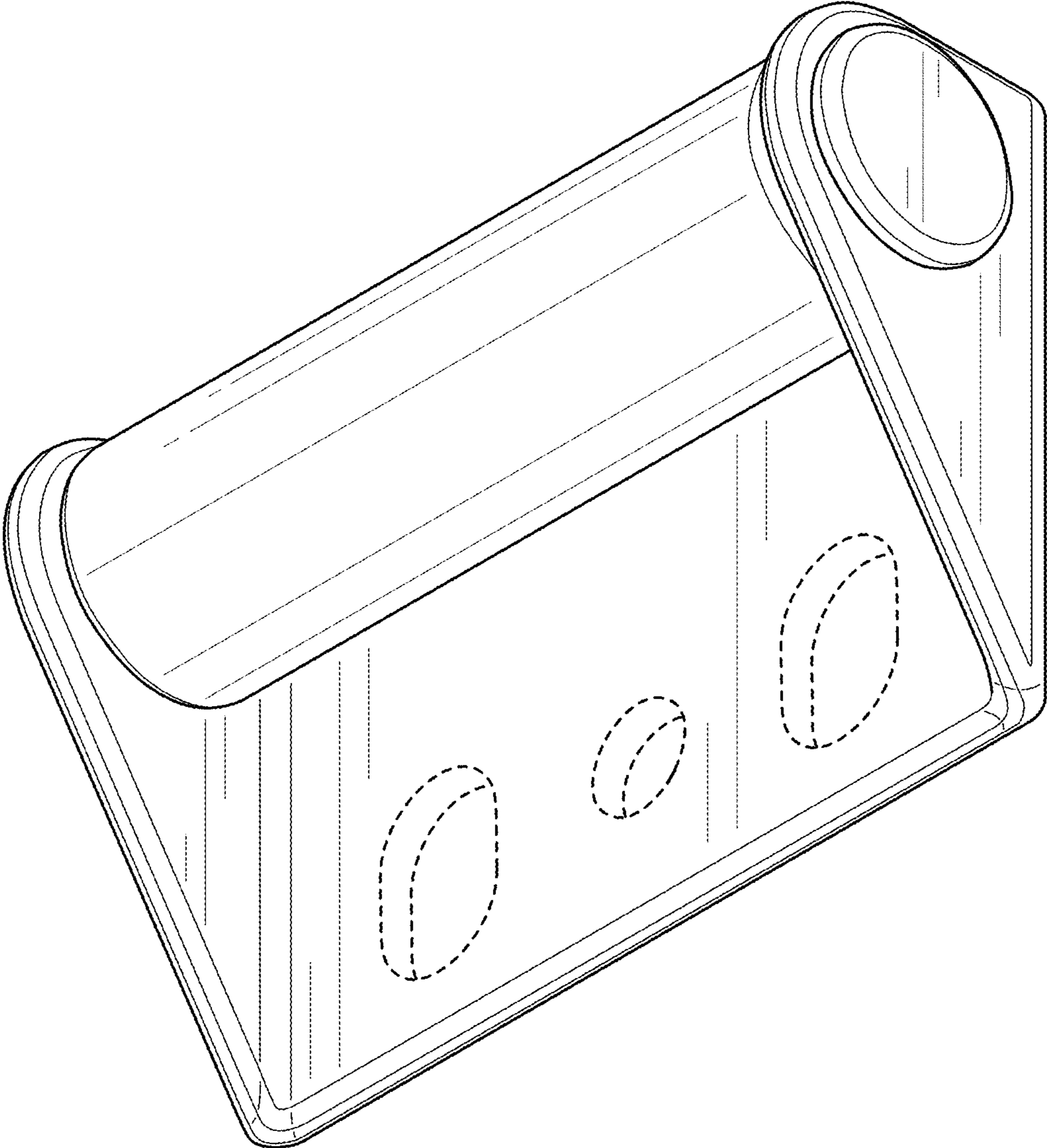


FIG. 1

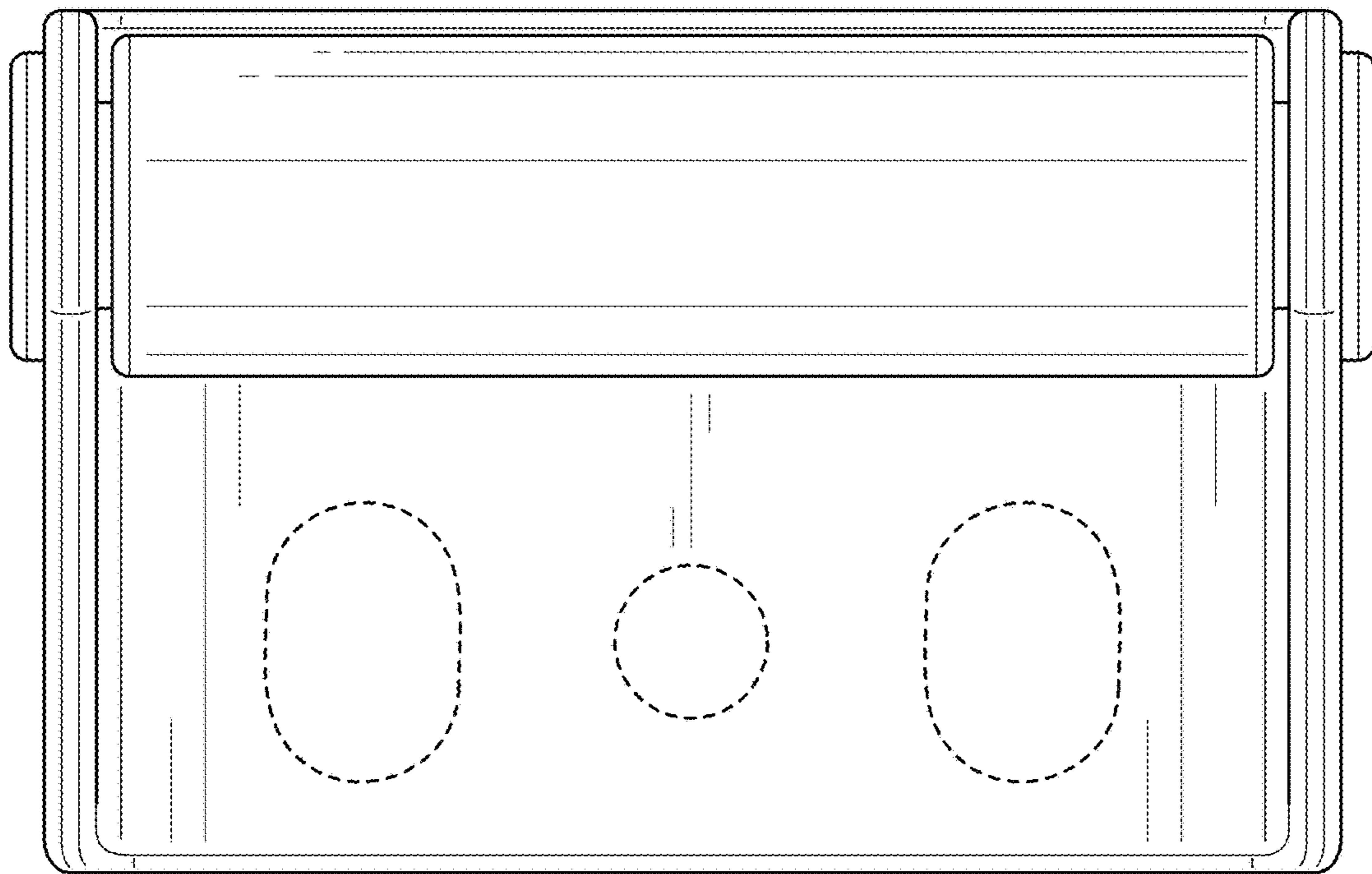


FIG. 2

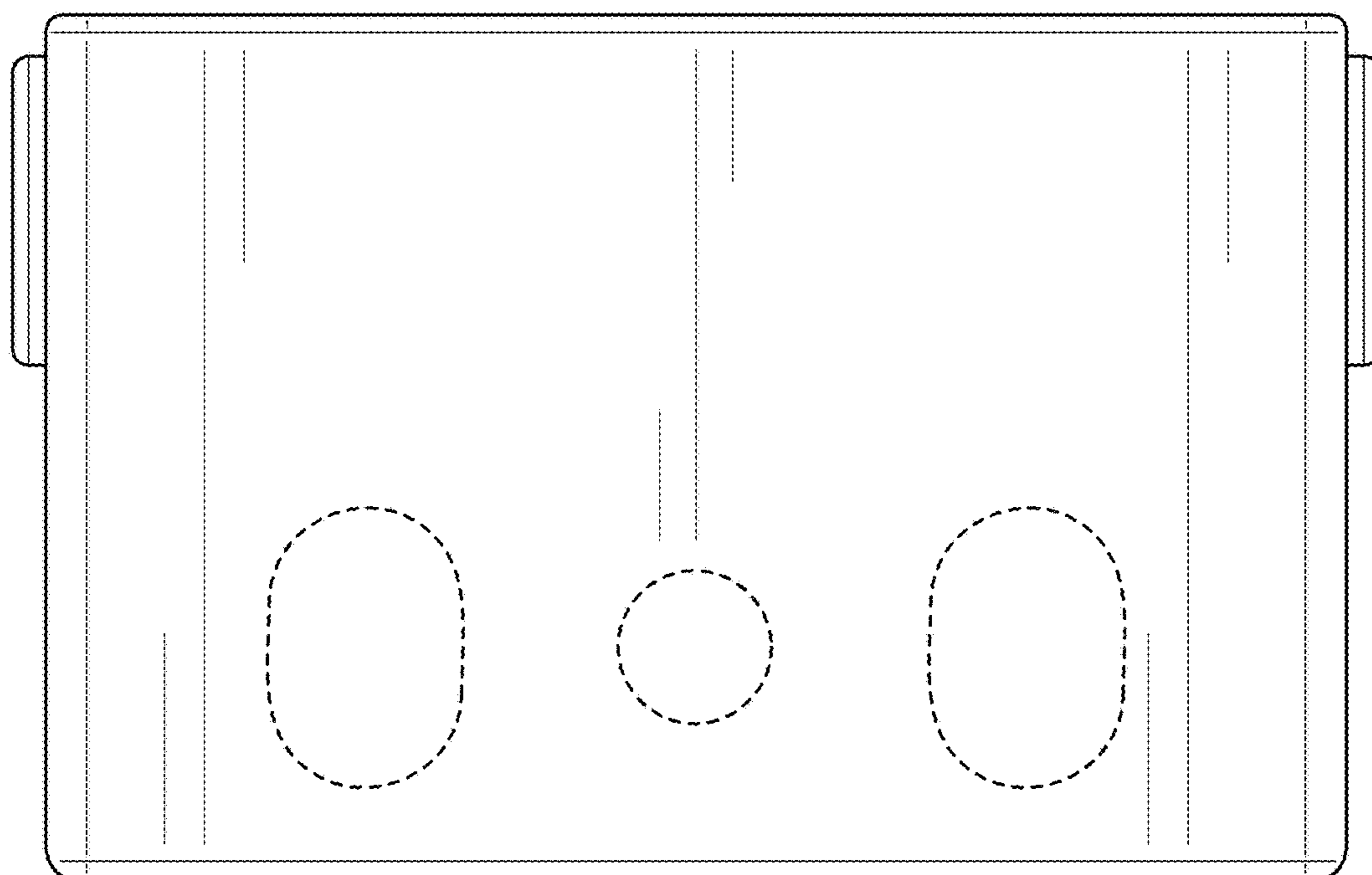


FIG. 3

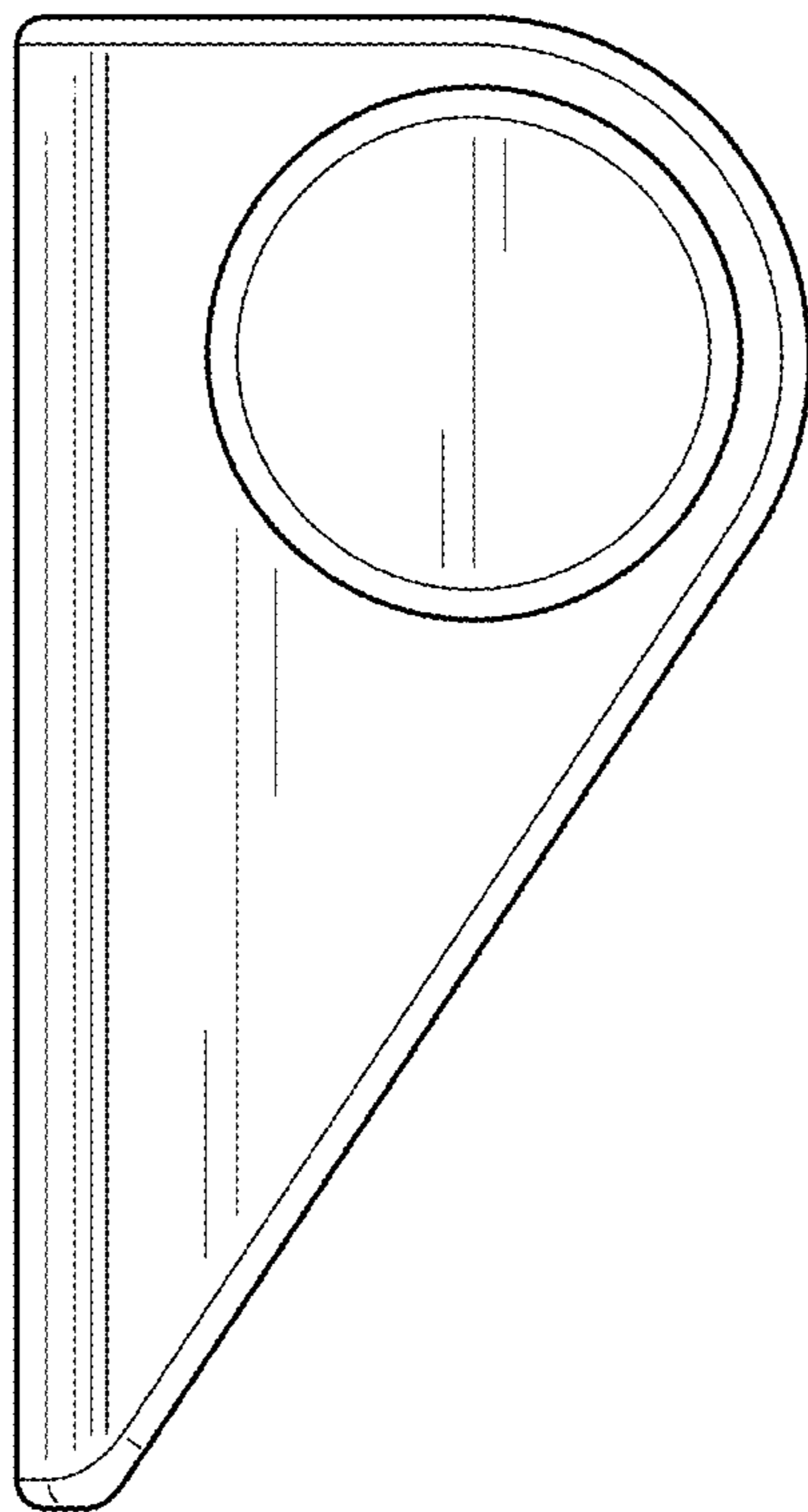


FIG. 4

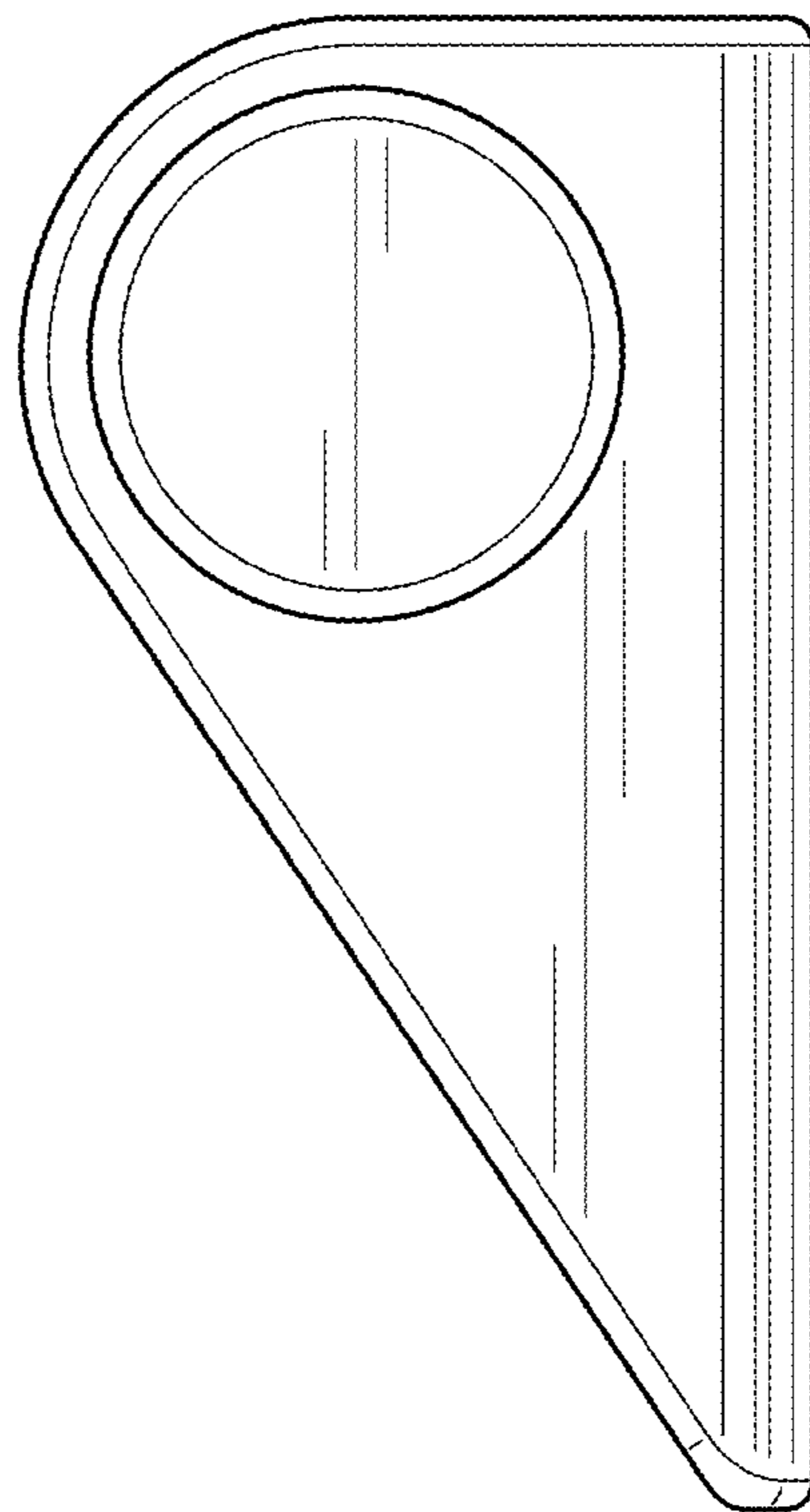


FIG. 5

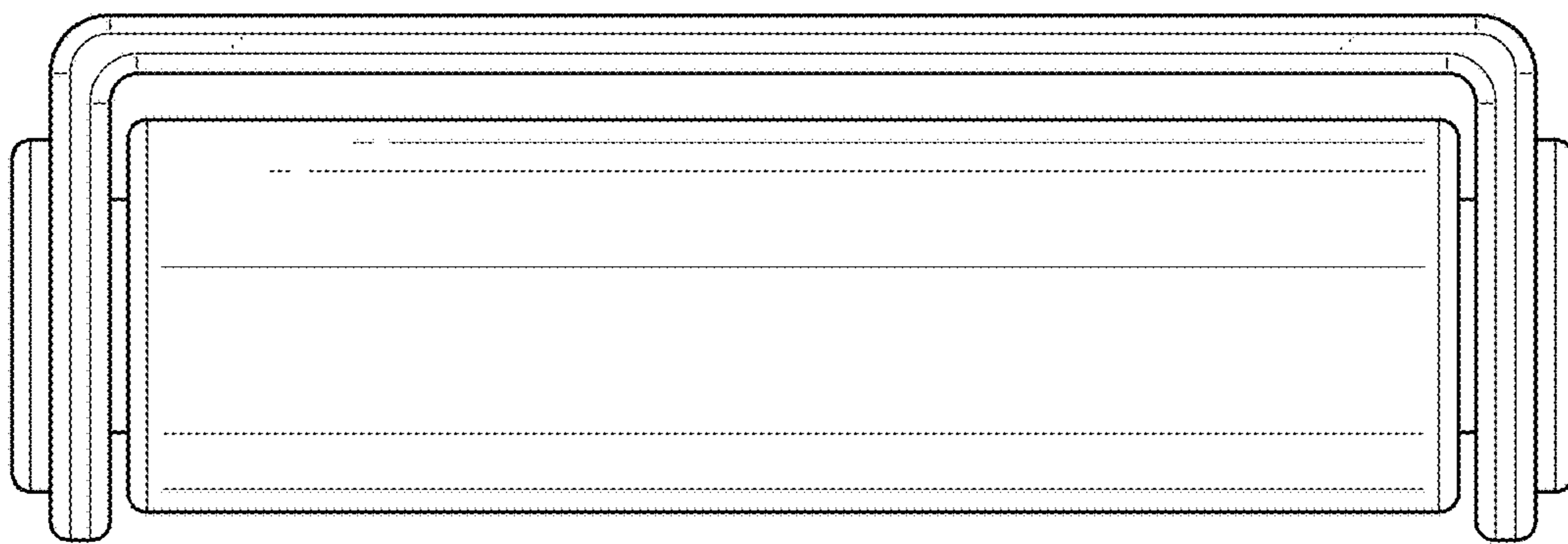


FIG. 6

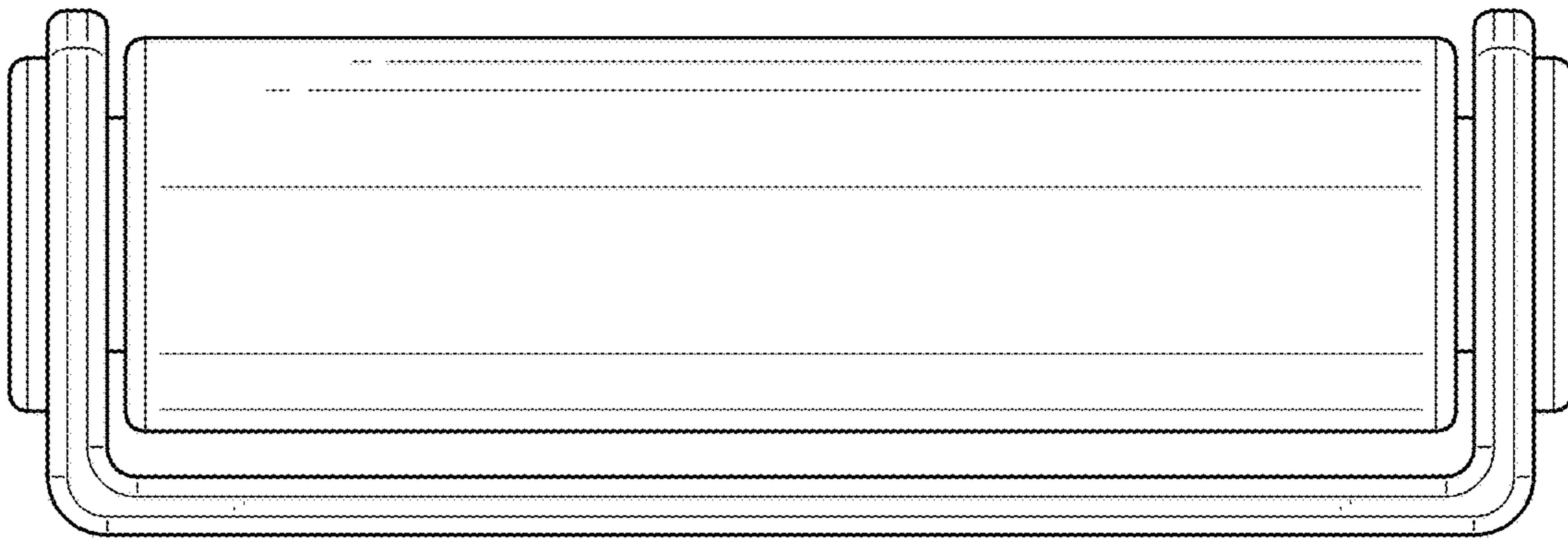


FIG. 7