



US00D777009S

(12) **United States Design Patent**
Joo

(10) **Patent No.:** **US D777,009 S**
(45) **Date of Patent:** **** Jan. 24, 2017**

- (54) **DOOR HANDLE FOR WASHING MACHINE**
- (71) Applicant: **Samsung Electronics Co., Ltd.**,
Suwon-si, Gyeonggi-do (KR)
- (72) Inventor: **Ahjung Joo**, Seoul (KR)
- (73) Assignee: **SAMSUNG ELECTRONICS CO., LTD.**,
Gyeonggi-Do (KR)
- (**) Term: **15 Years**
- (21) Appl. No.: **29/542,894**
- (22) Filed: **Oct. 19, 2015**
- (51) **LOC (10) Cl.** **08-06**
- (52) **U.S. Cl.**
USPC **D8/320; D32/25**
- (58) **Field of Classification Search**
USPC D8/300, 315-320, DIG. 1; D23/250, 254;
D6/546, 549; D7/393, 394, 402; 211/16;
16/110.1, 412, 413, 415, 419, 422, 424,
16/425, DIG. 19; 74/543, 551.1, 551.9,
74/553, 557, 558, 558.5; D3/318, 328;
D32/25
CPC Y10T 16/469; Y10T 16/44; Y10T 16/458;
Y10T 16/498; Y10T 16/476; Y10T
16/459; Y10T 16/466; Y10T
16/4713; Y10T 16/4644; Y10T
16/513; Y10T 16/509; Y10T
16/473; Y10T 16/462; Y10T
16/4701; Y10T 74/20732; Y10T
29/49826; Y10T 16/4719; Y10T 16/455;
Y10T 16/4559; Y10T 74/20828; Y10T
74/20738; Y10T 74/20762; Y10T
16/4628; Y10T 74/20864; Y10T 16/4567;
Y10T 16/4576; Y10T 16/501; Y10T
16/86
See application file for complete search history.

(56) **References Cited**

U.S. PATENT DOCUMENTS

- D175,865 S * 10/1955 Stone D8/319
- D190,627 S * 6/1961 Miller D8/302

- D198,362 S * 6/1964 Munro D8/302
- D228,621 S * 10/1973 Lambertz D8/341
- D390,441 S * 2/1998 Ciesko D8/319
- 5,924,169 A * 7/1999 Lu A45C 13/22
16/405
- D422,288 S * 4/2000 Alvring D15/89
- D422,879 S * 4/2000 Lu D8/319
- D440,238 S * 4/2001 Alvring D15/89
- D440,482 S * 4/2001 Chang D8/319
- D460,265 S * 7/2002 Chang D3/318
- 6,641,186 B2 * 11/2003 Tsai E05B 15/02
292/336.3
- 6,748,773 B2 * 6/2004 Alchin E05B 65/0811
70/100
- D514,423 S * 2/2006 Timothy D8/300
- D521,351 S * 5/2006 Alchin D8/301
- D565,346 S * 4/2008 Bunting D7/394
- 2006/0282987 A1 * 12/2006 Shih B60Q 1/2669
16/412
- 2007/0284894 A1 * 12/2007 Rodawold E05B 77/06
292/336.3

* cited by examiner

Primary Examiner — Derrick Holland
Assistant Examiner — Lauren Calve
(74) *Attorney, Agent, or Firm* — Cantor Colburn LLP

(57) **CLAIM**

The ornamental design for a door handle for washing machine, as shown and described.

DESCRIPTION

FIG. 1 is a perspective view of a door handle for washing machine, showing my new design;
FIG. 2 is a front view thereof;
FIG. 3 is a rear view thereof;
FIG. 4 is a side view thereof;
FIG. 5 is another side view thereof;
FIG. 6 is a top view thereof; and,
FIG. 7 is a bottom view thereof.
The broken lines shown represent unclaimed subject matter and form part of the claimed design.

1 Claim, 6 Drawing Sheets

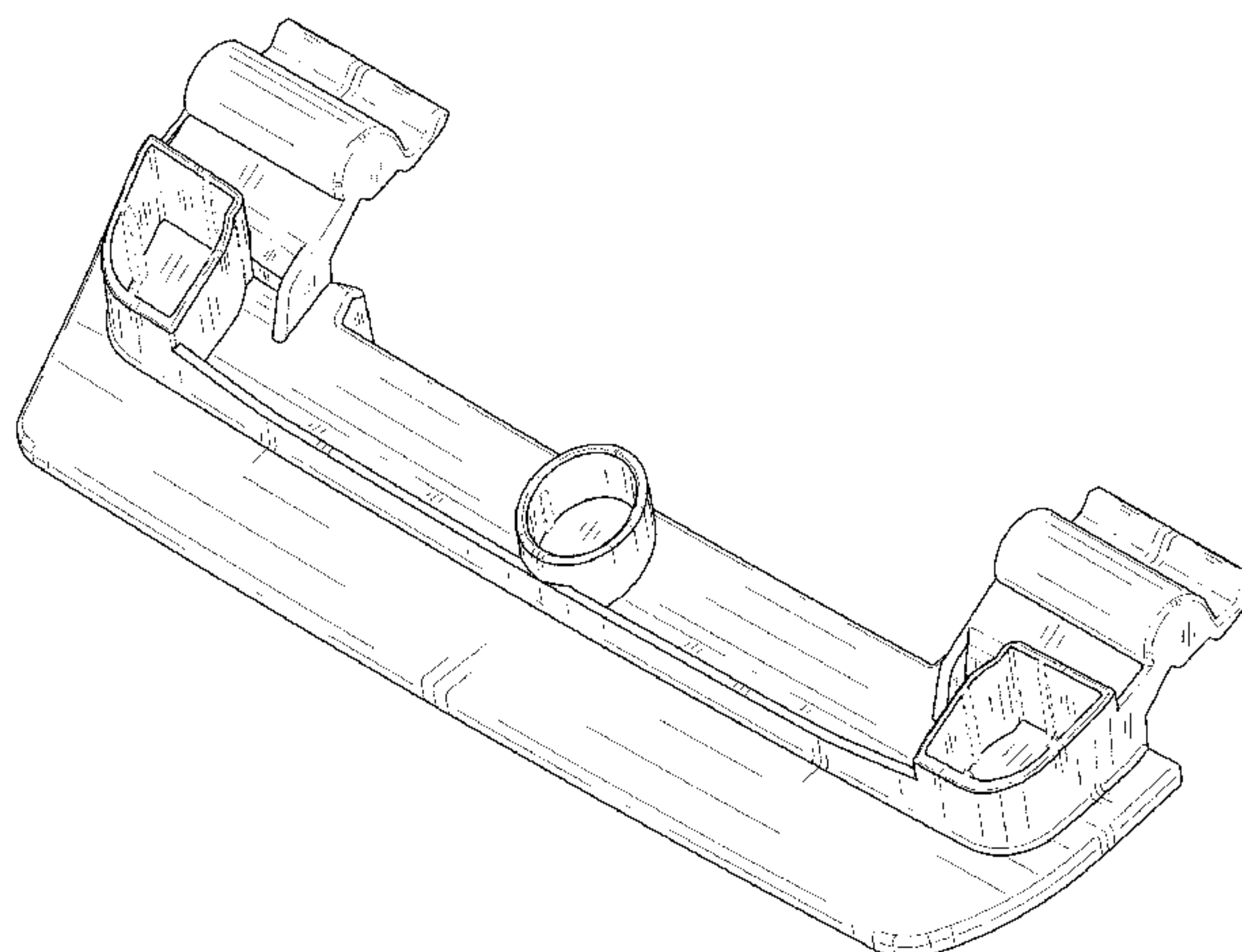


FIG. 1

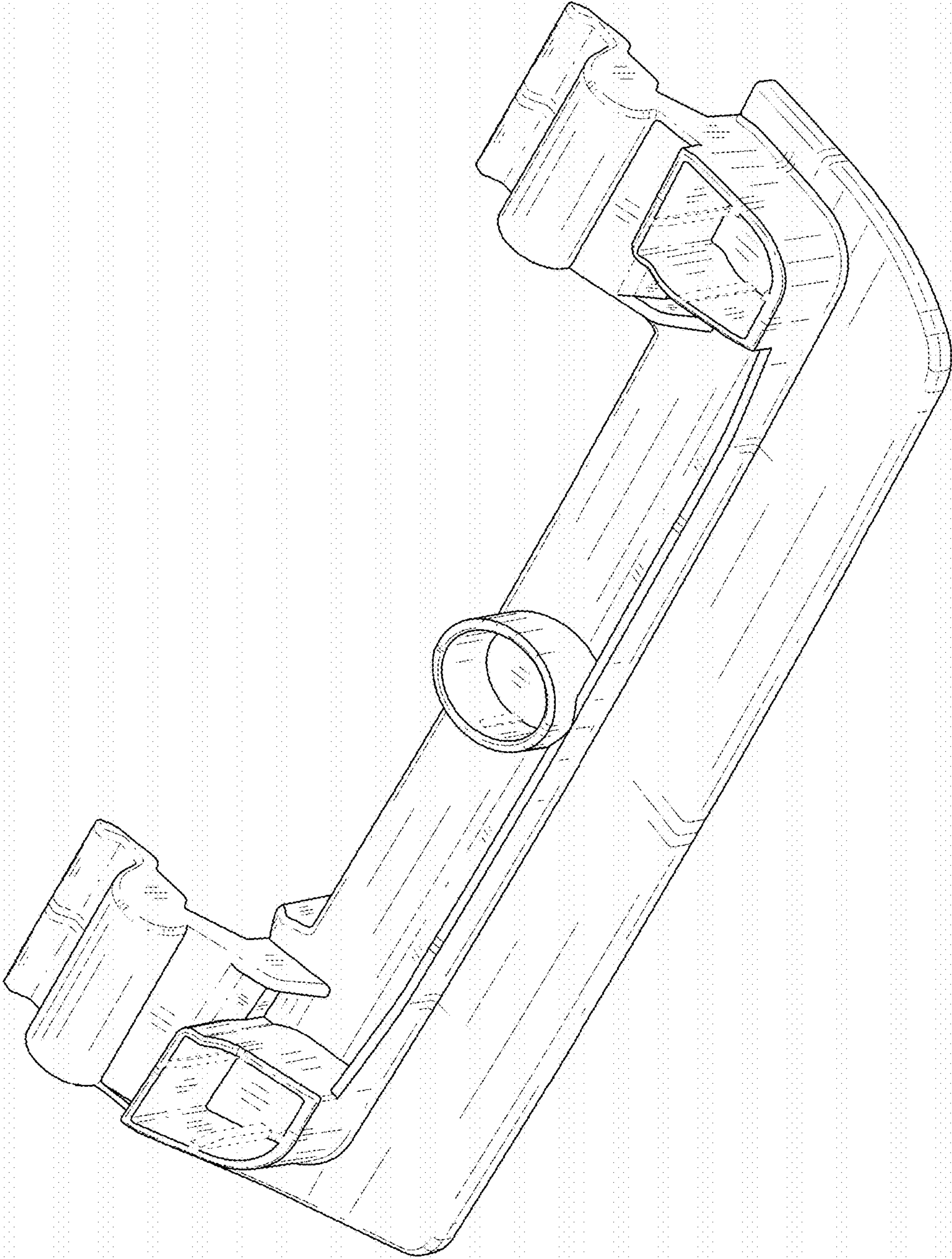


FIG. 2

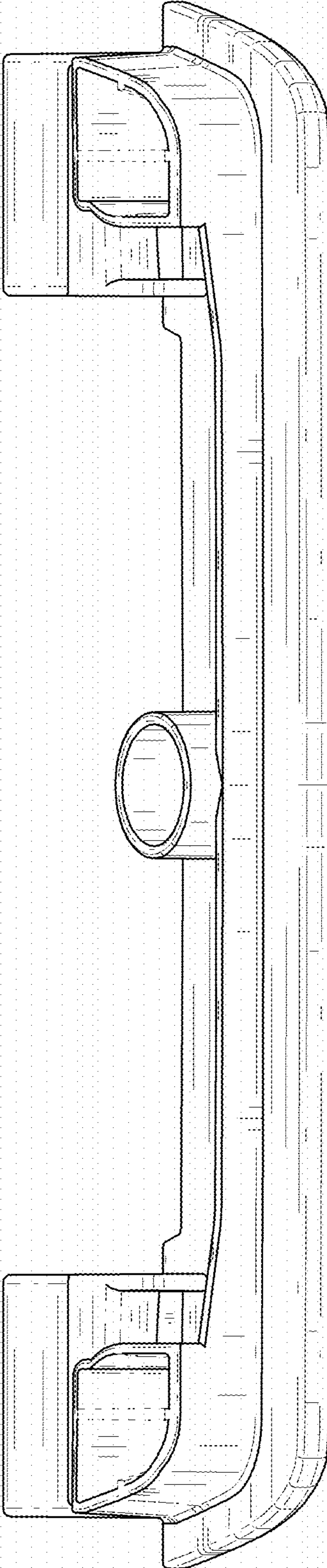


FIG. 3

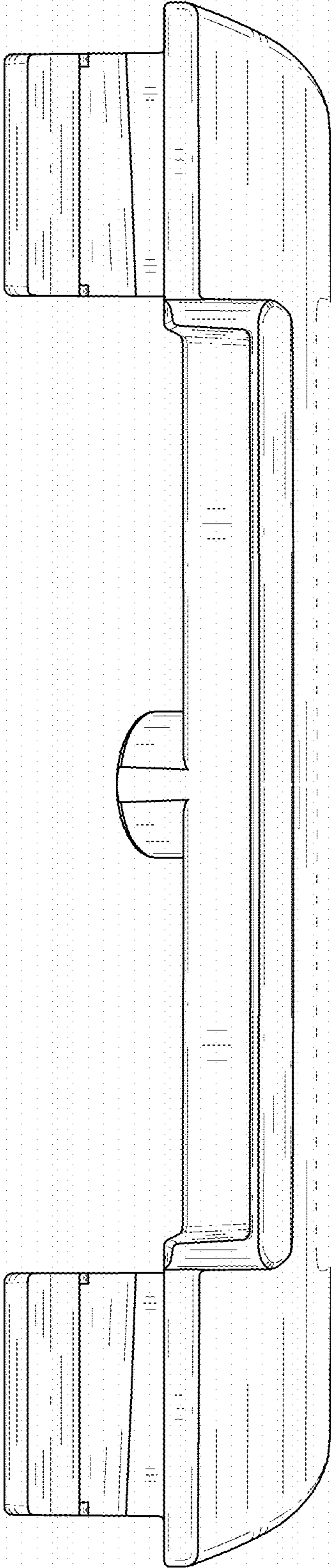


FIG. 4

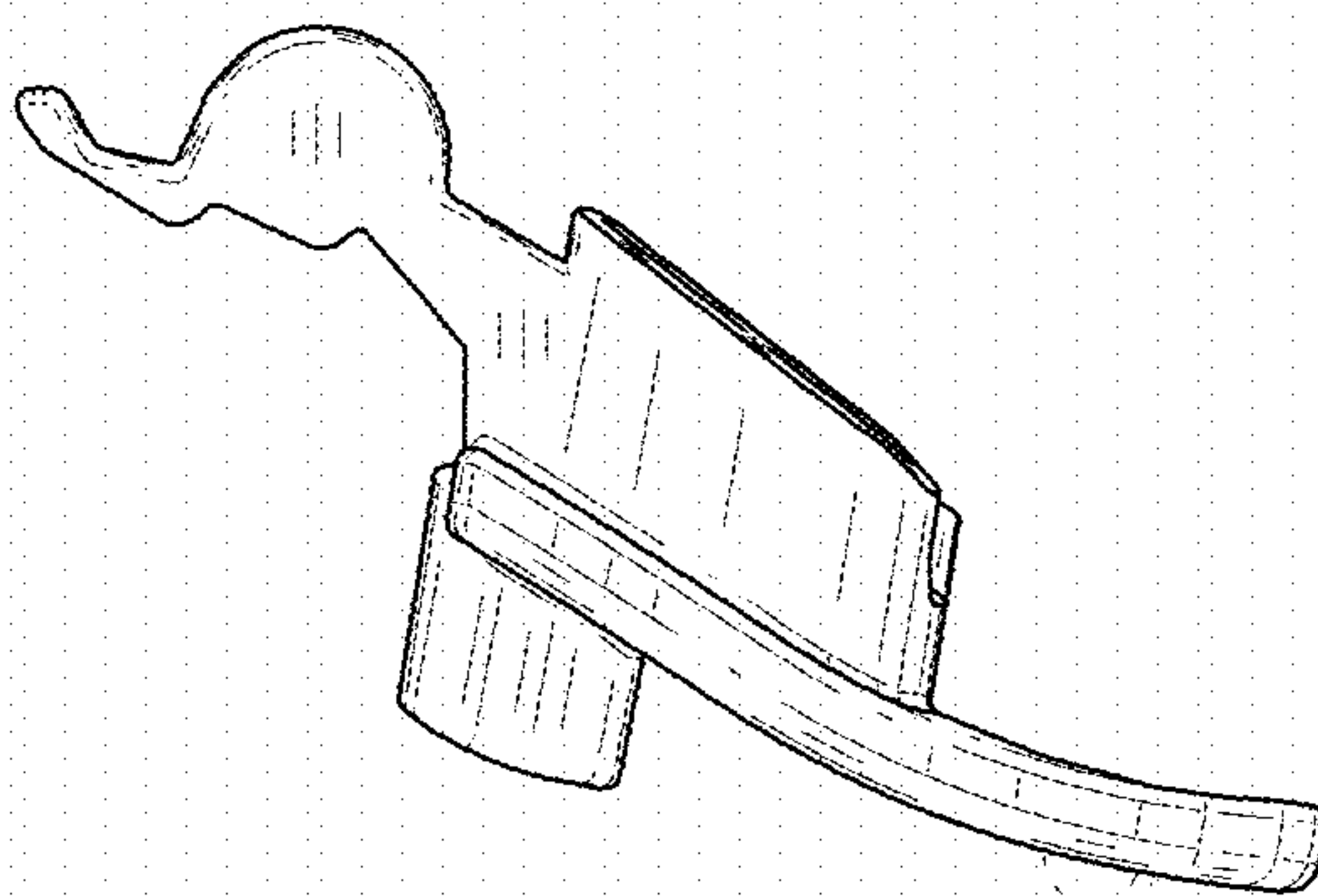


FIG. 5

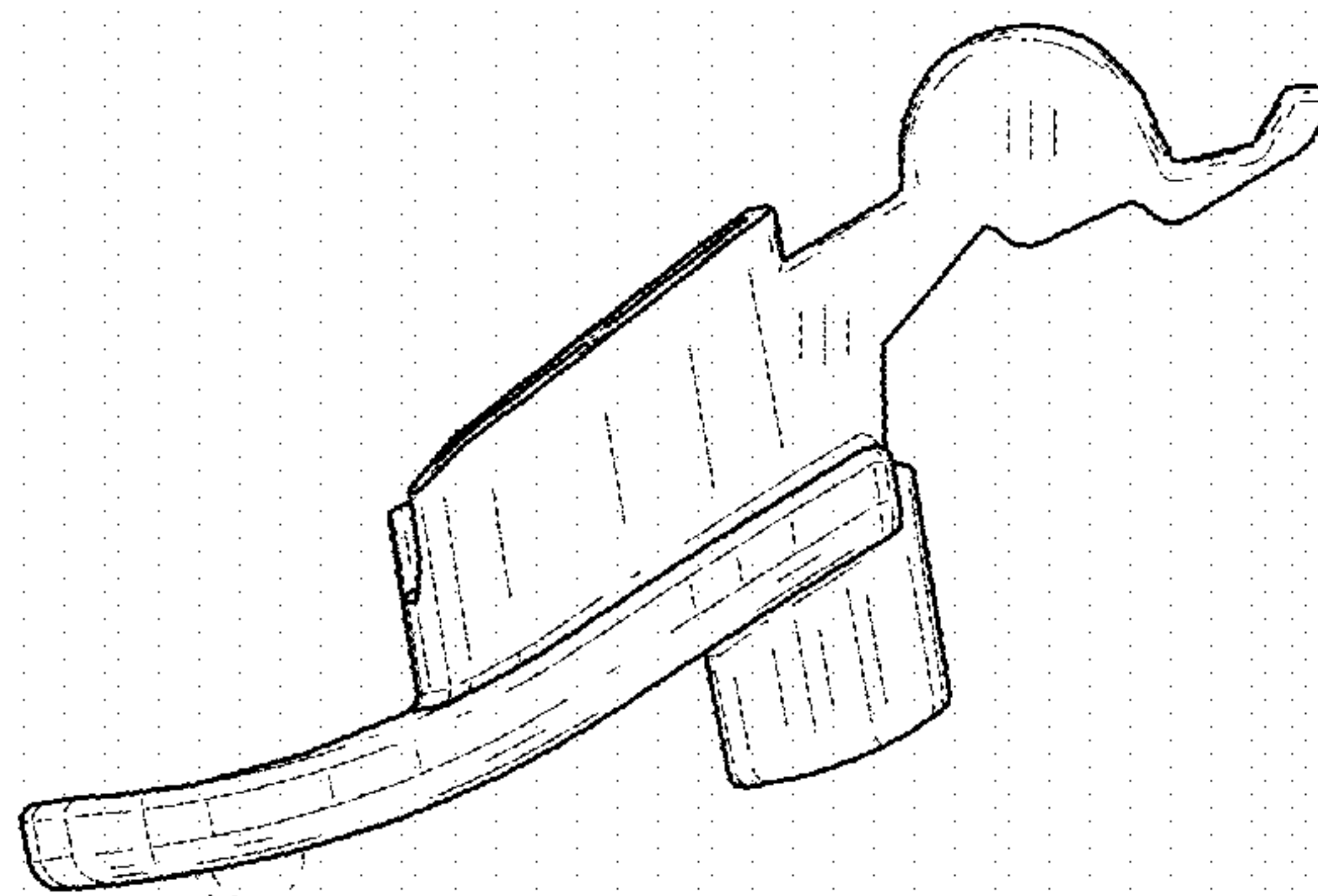


FIG. 6

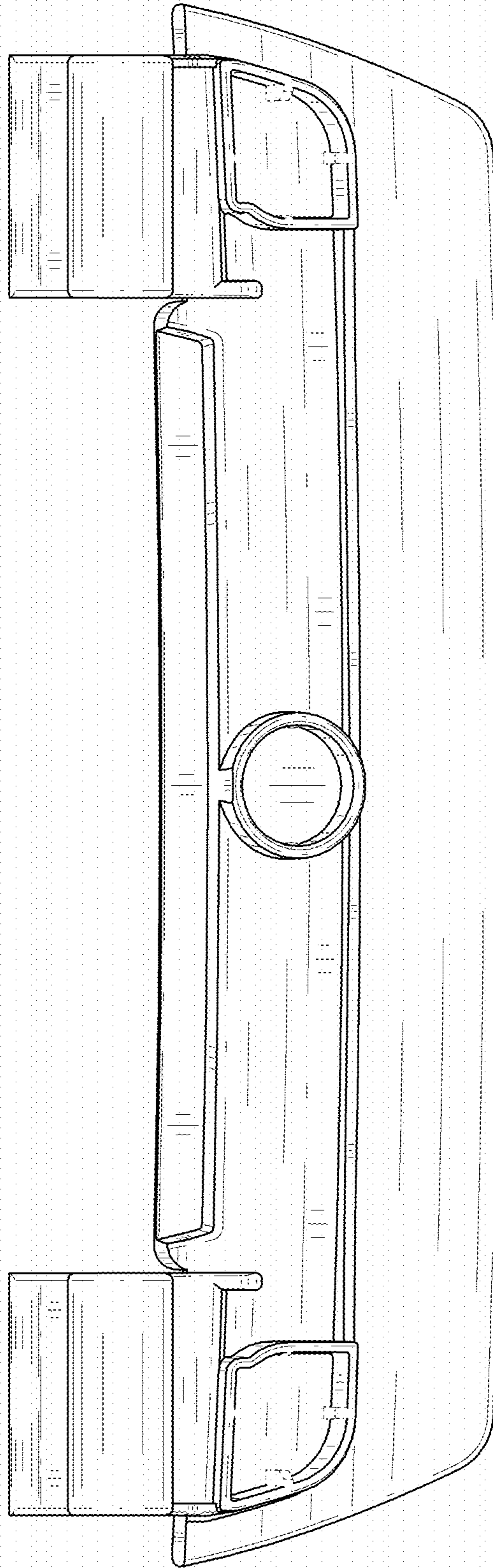


FIG. 7

