



US00D777007S

(12) **United States Design Patent** (10) **Patent No.:** **US D777,007 S**
Park (45) **Date of Patent:** **** Jan. 24, 2017**

(54) **HANDLE FOR ELECTRIC PUMP**
(71) Applicant: **Dukshin Corp., Ltd.**, Incheon (KR)
(72) Inventor: **Kyung Suh Park**, Gyeonggi-do (KR)
(73) Assignee: **Dukshin Corp., Ltd.**, Incheon (KR)
(**) Term: **14 Years**

D699,814 S * 2/2014 Ondarra D23/226
D723,587 S * 3/2015 Park D15/7
2009/0183591 A1* 7/2009 Jesse B25G 1/102
74/551.9

* cited by examiner

Primary Examiner — Derrick Holland
Assistant Examiner — Lauren Calve

(21) Appl. No.: **29/523,459**
(22) Filed: **Apr. 9, 2015**

(51) **LOC (10) Cl.** **08-01**

(52) **U.S. Cl.**
USPC **D8/107**; D23/226

(58) **Field of Classification Search**
USPC D8/105, 107, 300, 303, 307; 16/110.1,
16/421, 426, 430; 81/489, 487, 491;
D15/7-9; D23/223, 226; 239/525-526
CPC Y10T 16/476; Y10T 16/44; Y10T 16/466;
Y10T 16/4713; Y10T 16/469; Y10T
74/20828; Y10T 29/49826; Y10T
74/20732; Y10T 292/57; Y10T 16/4559;
Y10T 74/20864; Y10T 16/459; Y10T
74/20822; Y10T 407/1825; B25G 1/102;
B25G 1/10; B25G 1/06; B25G 3/00
See application file for complete search history.

(56) **References Cited**

U.S. PATENT DOCUMENTS

D554,231 S * 10/2007 Chih D23/213
D564,065 S * 3/2008 Yu D23/223
D642,239 S * 7/2011 Liao D23/213
D648,417 S * 11/2011 Varini D23/226
D661,567 S * 6/2012 Bonzer D8/107
8,348,120 B2 * 1/2013 Wei B25D 11/068
16/110.1
D682,988 S * 5/2013 Hobbs D23/223

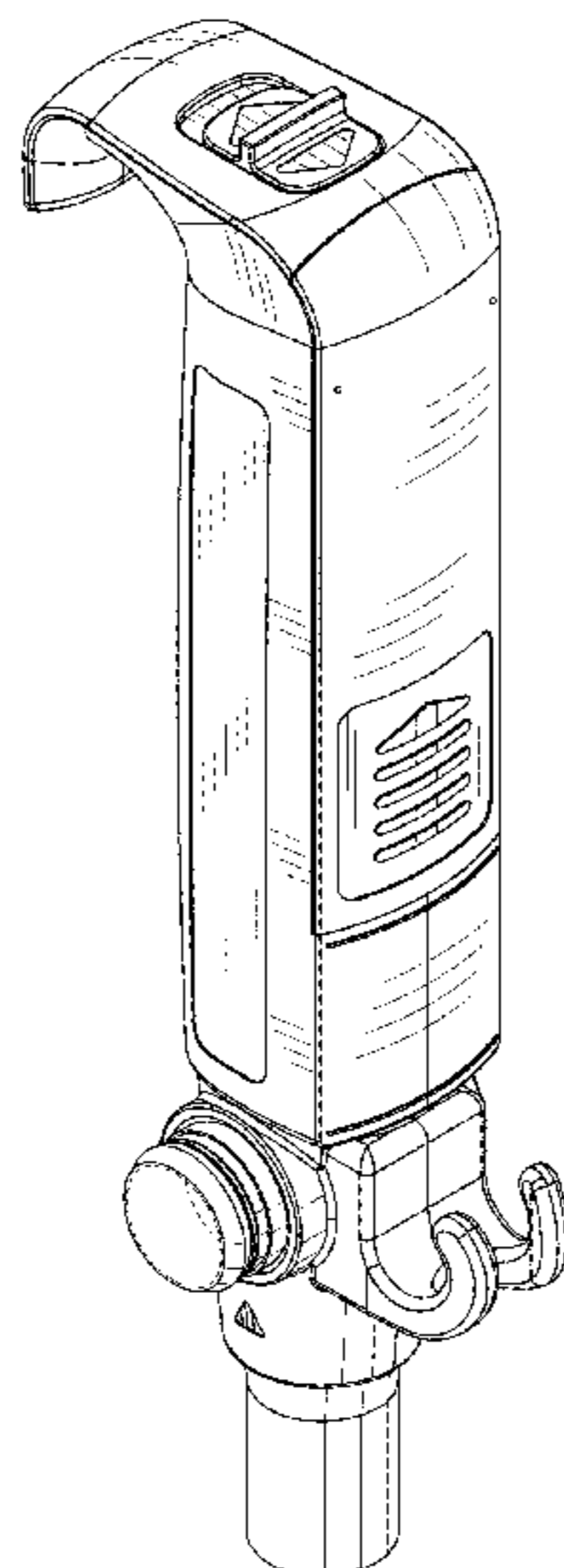
(57) **CLAIM**

The ornamental design for a handle for electric pump, as shown and described.

DESCRIPTION

FIG. 1 is a perspective view of a handle for electric pump according to the present invention;
FIG. 2 is a front view of the handle for electric pump of FIG. 1;
FIG. 3 is a rear view of the handle for electric pump of FIG. 1;
FIG. 4 is a left side view of the handle for electric pump of FIG. 1;
FIG. 5 is a right side view of the handle for electric pump of FIG. 1;
FIG. 6 is a top plan view of the handle for electric pump of FIG. 1;
FIG. 7 is a bottom plan view of the handle for electric pump of FIG. 1;
FIG. 8 is a second perspective view of the handle for electric pump of FIG. 1; and,
FIG. 9 is a third perspective view of the handle for electric pump of FIG. 1 shown in use.
The broken lines shown represent unclaimed subject matter and form no part of the claimed design.

1 Claim, 8 Drawing Sheets



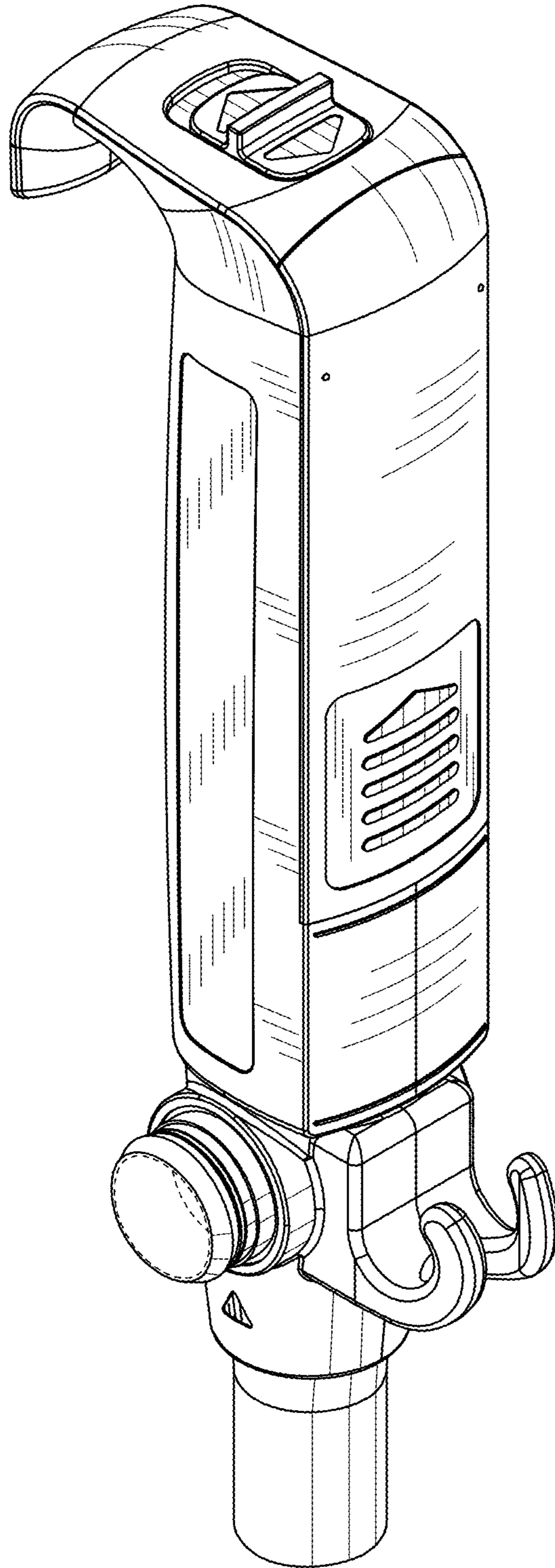


FIG. 1

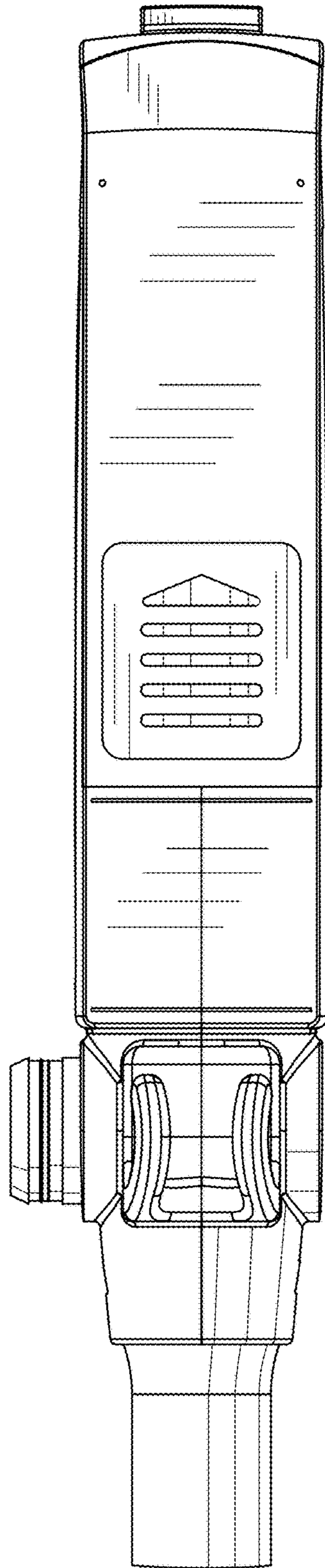


FIG. 2

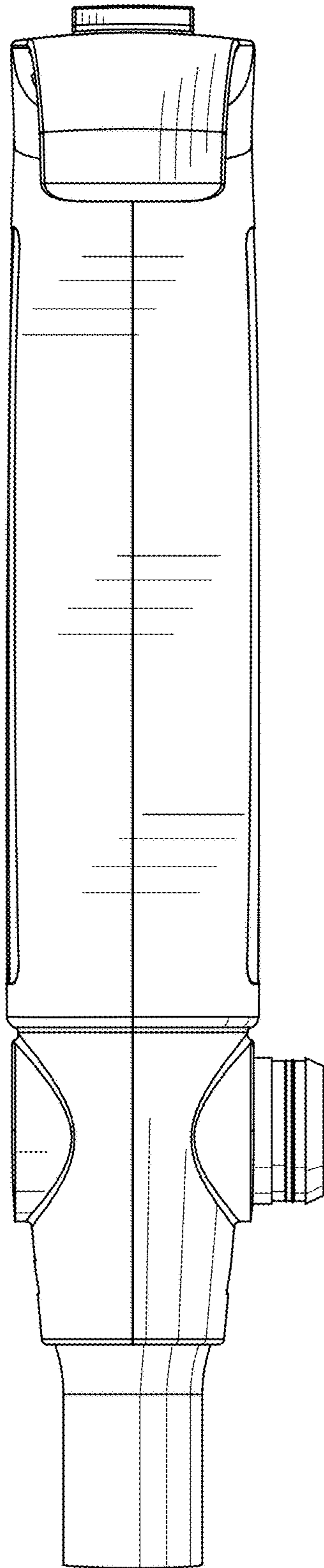


FIG. 3

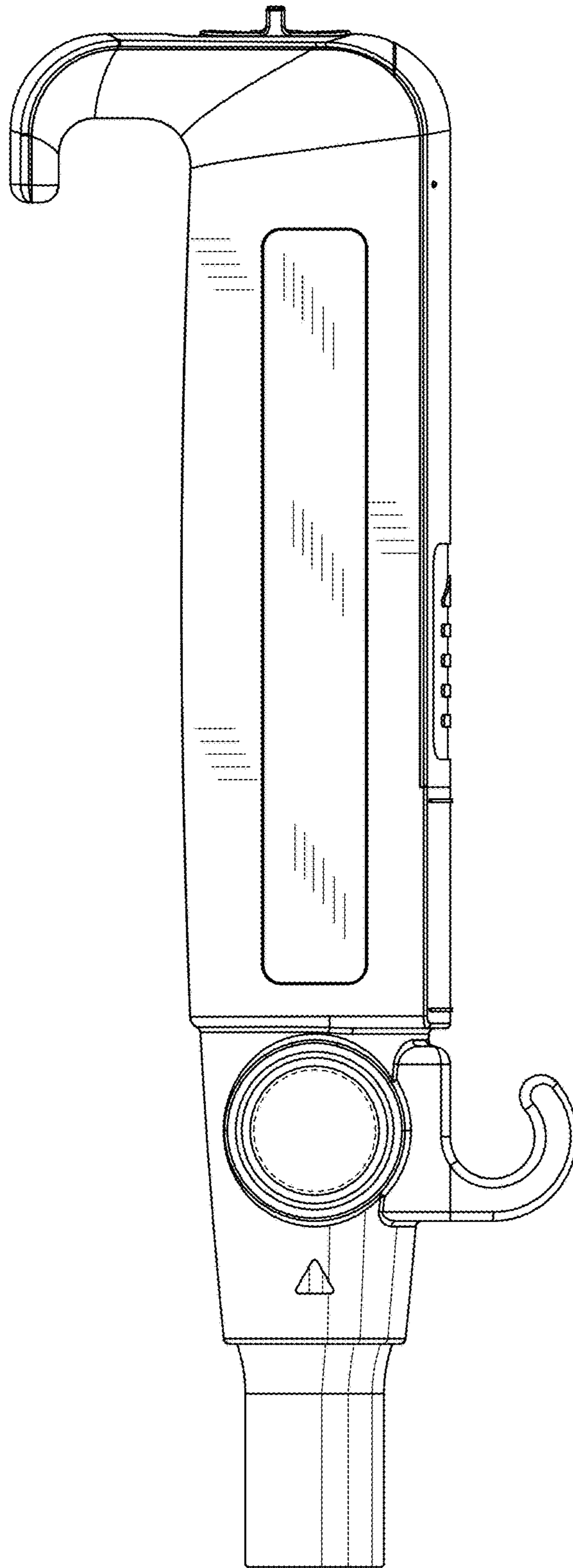


FIG. 4

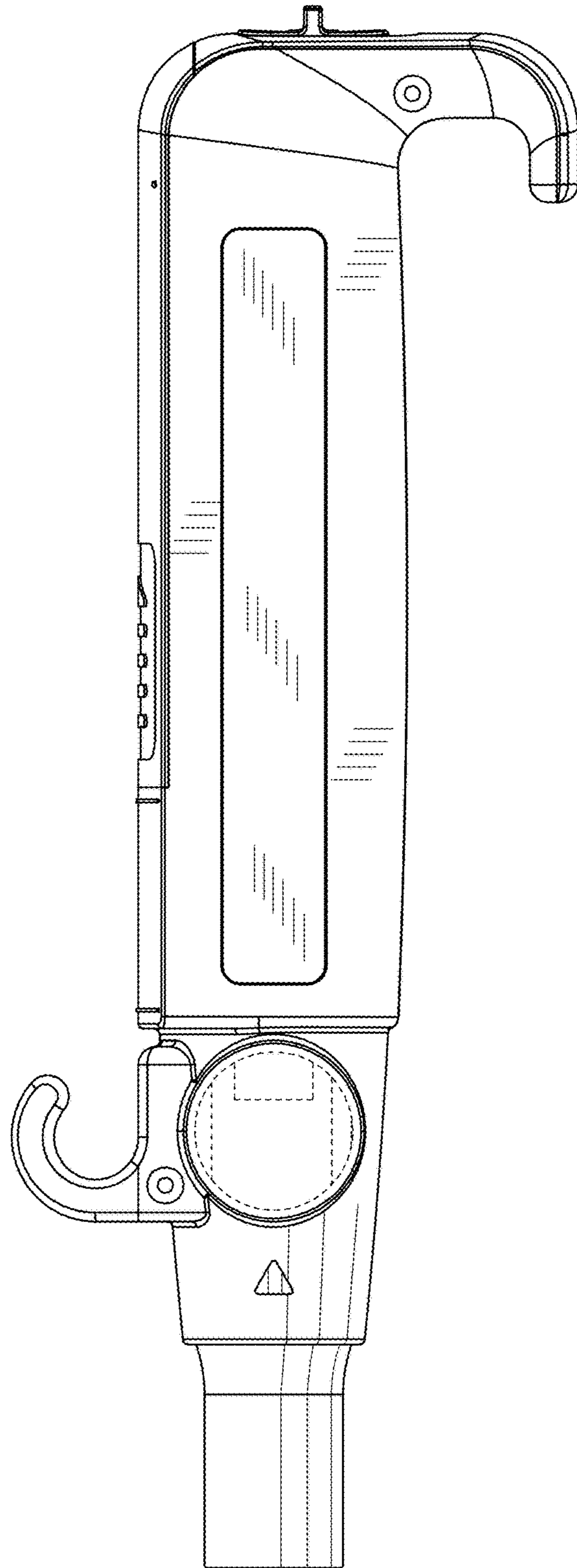


FIG. 5

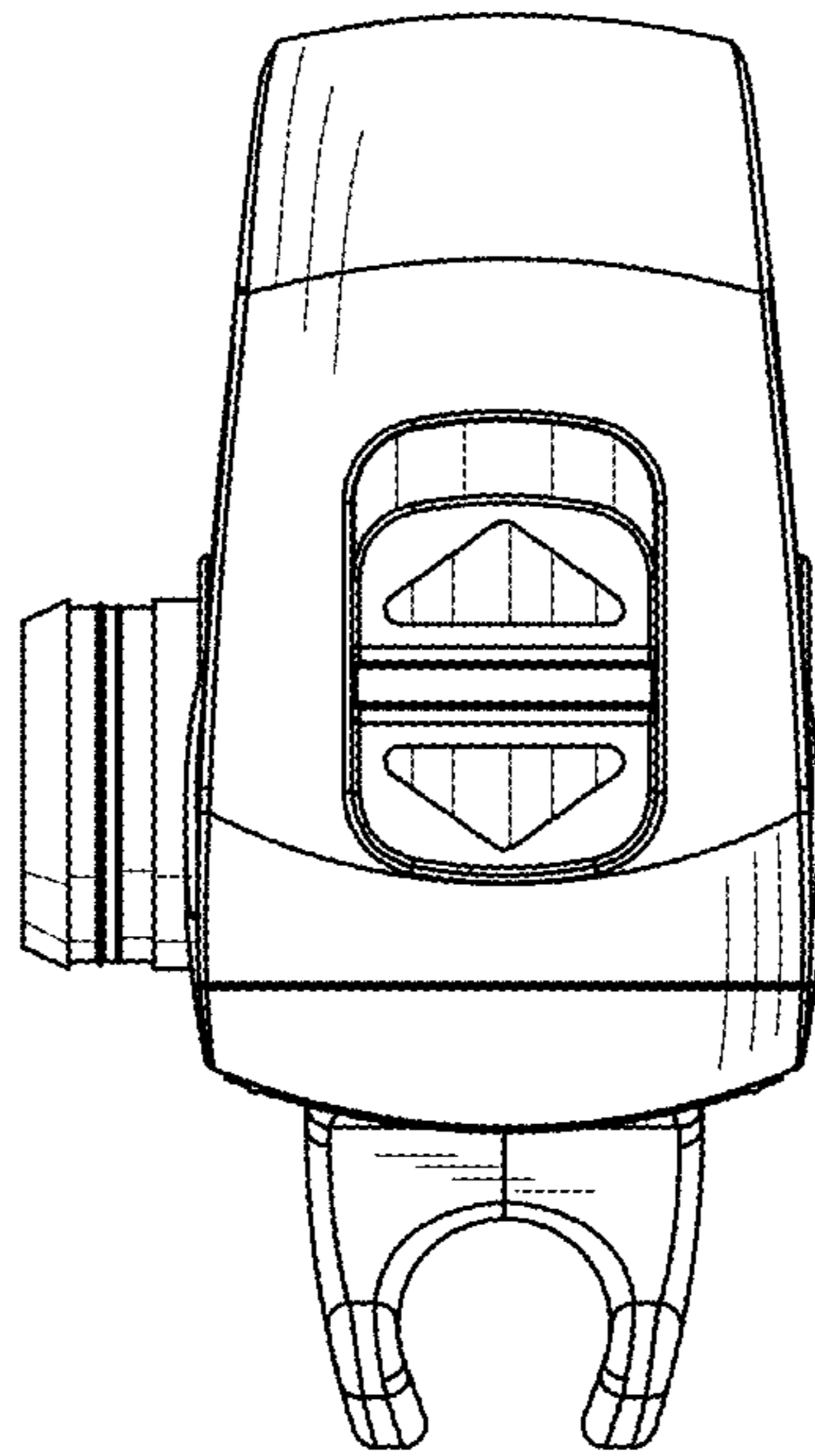


FIG. 6

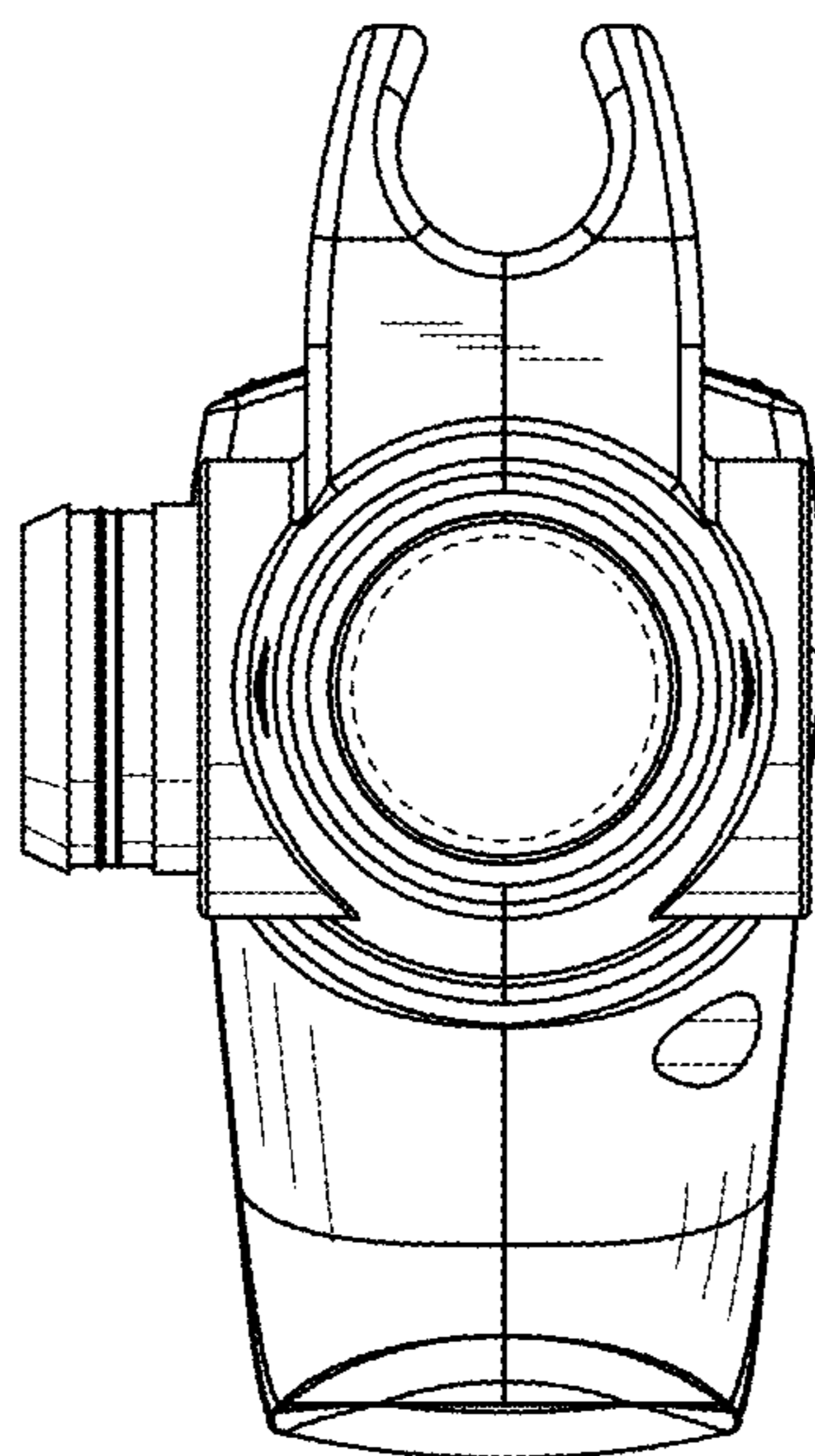


FIG. 7

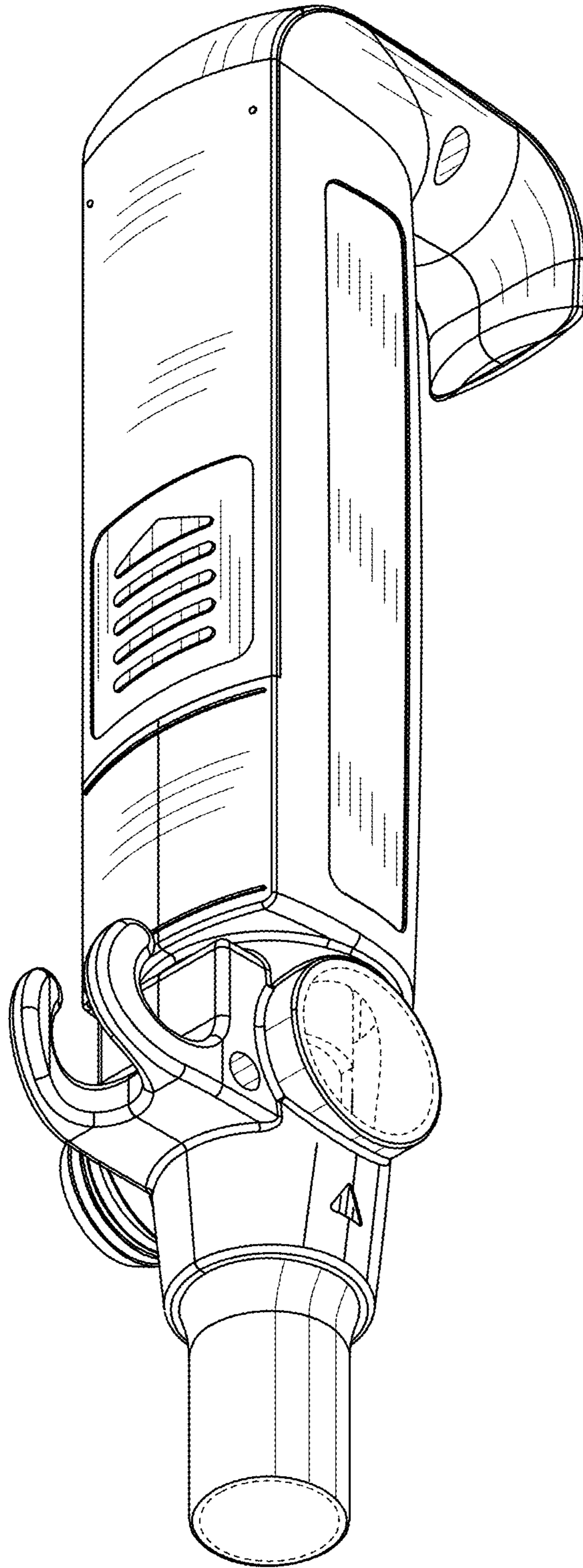


FIG. 8

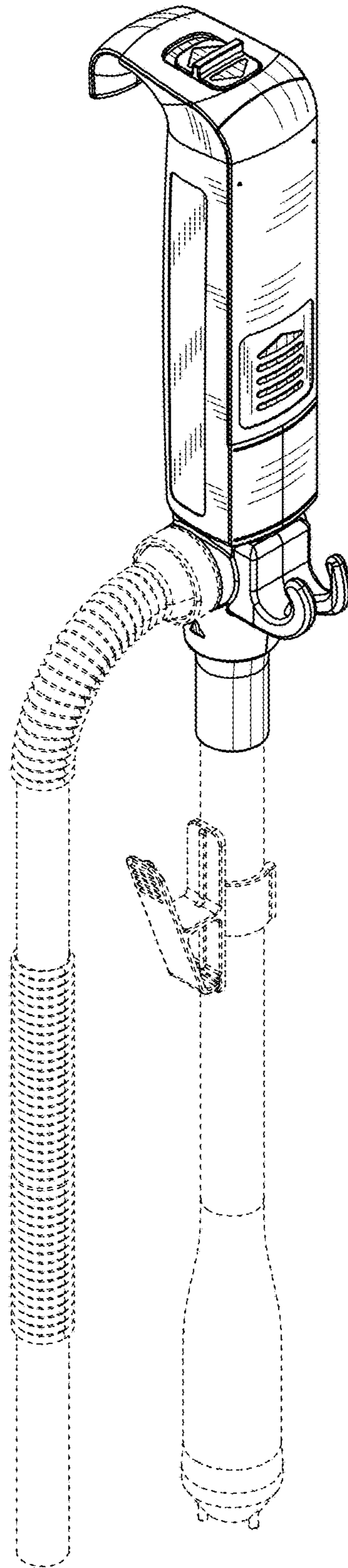


FIG. 9