



US00D777004S

(12) **United States Design Patent**
Heaton

(10) **Patent No.:** **US D777,004 S**
(45) **Date of Patent:** **** Jan. 24, 2017**

(54) **DISPOSAL INSTALLATION SUPPORT MOUNT**

(71) Applicant: **Kenneth G. Heaton**, Orange, CA (US)

(72) Inventor: **Kenneth G. Heaton**, Orange, CA (US)

(**) Term: **15 Years**

(21) Appl. No.: **29/505,735**

(22) Filed: **Jan. 25, 2016**

(51) **LOC (10) Cl.** **08-05**

(52) **U.S. Cl.**
USPC **D8/71**

(58) **Field of Classification Search**
USPC D8/14, 71, 72, 106, 349, 354, 355, 380,
D8/499; D7/375, 387, 388, 386, 213
CPC E03C 1/2665; E03C 1/266; E03C 1/26;
Y10T 29/53909; Y10T 29/53961; Y10T
29/49998; Y10T 29/54; B25B
27/14; B25B 27/00

See application file for complete search history.

(56) **References Cited**

U.S. PATENT DOCUMENTS

1,981,925	A *	11/1934	Russell	B25B 27/00
					29/275
2,852,199	A *	9/1958	Holzer	E03C 1/2665
					241/157
3,081,042	A *	3/1963	Moskovitz	E03C 1/2665
					241/36
3,222,030	A *	12/1965	Thorpe	E04F 15/02452
					248/354.3
3,797,764	A *	3/1974	Guth	E03C 1/2665
					241/46.015
D261,794	S *	11/1981	Bechtel	42/94
D370,403	S *	6/1996	Schenken	D8/355
6,142,460	A *	11/2000	Irwin	B25B 11/00
					269/37

7,185,408	B1 *	3/2007	Keith	E03C 1/266
					29/225
7,458,141	B2 *	12/2008	Goldburt	E03C 1/2665
					241/46.013
7,685,689	B1 *	3/2010	Del Castello	E03C 1/2665
					254/133 R
7,726,631	B2 *	6/2010	Noe	E03C 1/266
					254/100
2002/0171189	A1 *	11/2002	Griggs	A47B 91/02
					269/37
2004/0178289	A1 *	9/2004	Jara-Almonte	E03C 1/2665
					241/46.016

(Continued)

Primary Examiner — Sandra Snapp

Assistant Examiner — Ieisha Price

(74) *Attorney, Agent, or Firm* — I. Michael Bak-Boychuk

(57) **CLAIM**

I claim the ornamental design of a disposal installation support mount, as shown and described.

DESCRIPTION

FIG. 1 is a perspective view taken from the top and front of a disposal installation support mount showing my new design, the broken line showing a disposal exterior portion is illustrative of environmental matter only for the support thereof and forming no part of the claimed design;

FIG. 2 is a top view of the disposal installation support mount;

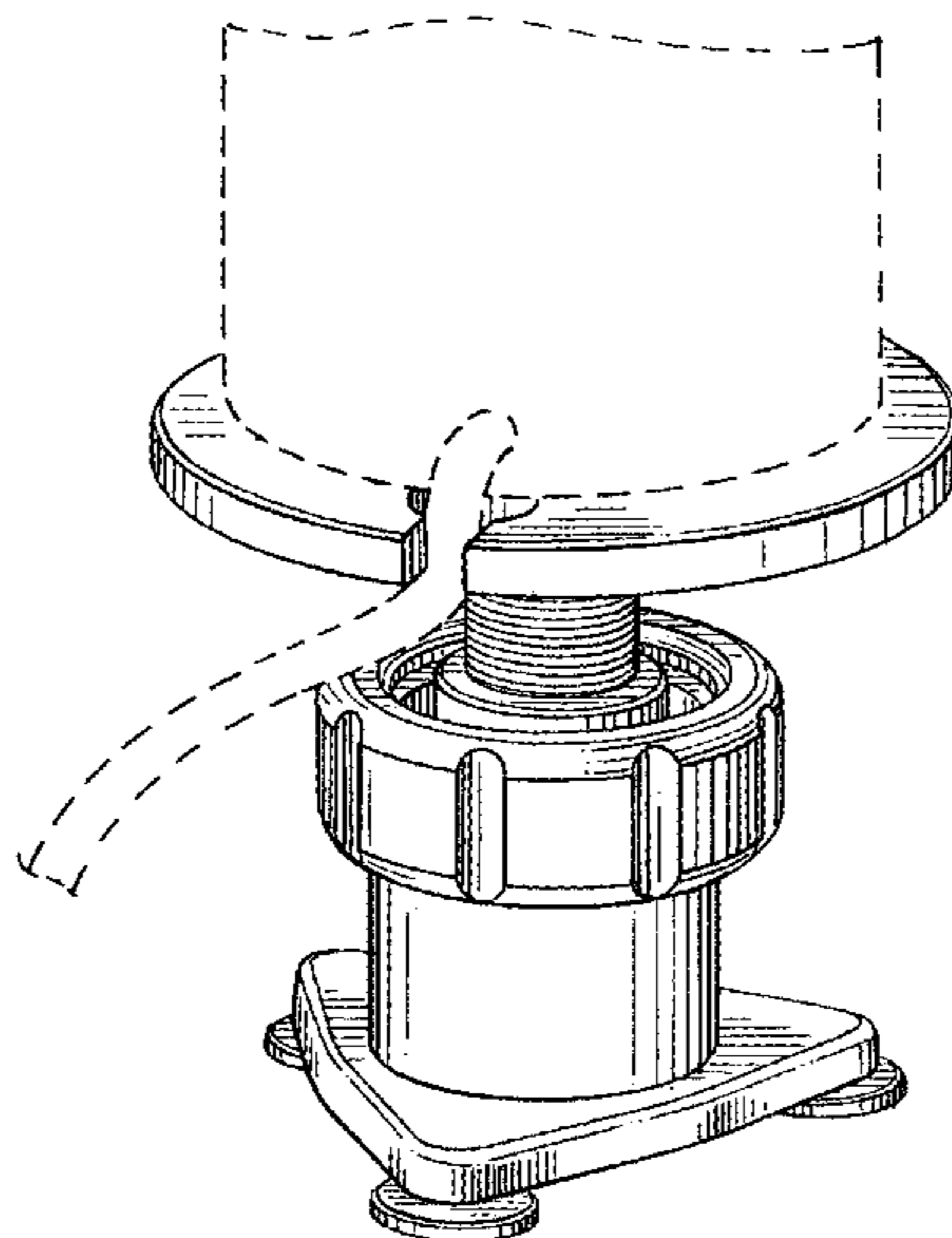
FIG. 3 is a bottom view of the disposal installation support mount;

FIG. 4 is a front view of the disposal installation support mount;

FIG. 5 is a rear view of the disposal installation support mount; and,

FIG. 6 is a right side elevational view of the disposal installation support mount, the left side elevational view being the mirror image thereof.

1 Claim, 6 Drawing Sheets



(56)

References Cited

U.S. PATENT DOCUMENTS

2005/0251983 A1* 11/2005 Heaton E03C 1/2665
29/271
2006/0000075 A1* 1/2006 West B64C 1/06
29/284
2006/0065881 A1* 3/2006 Walton B66F 3/38
254/93 H
2008/0178455 A1* 7/2008 Cox B25B 27/14
29/464

* cited by examiner

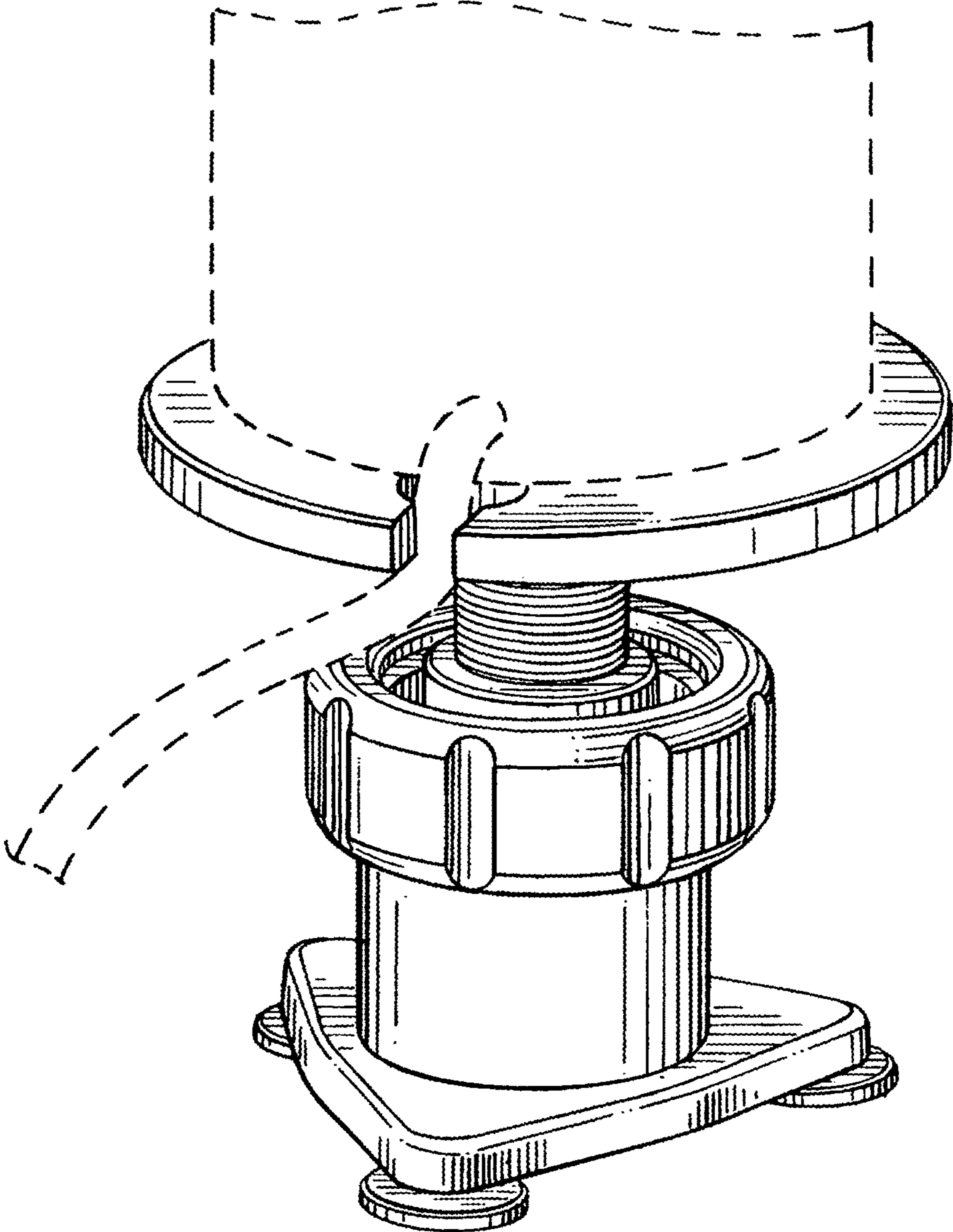


FIG. 1

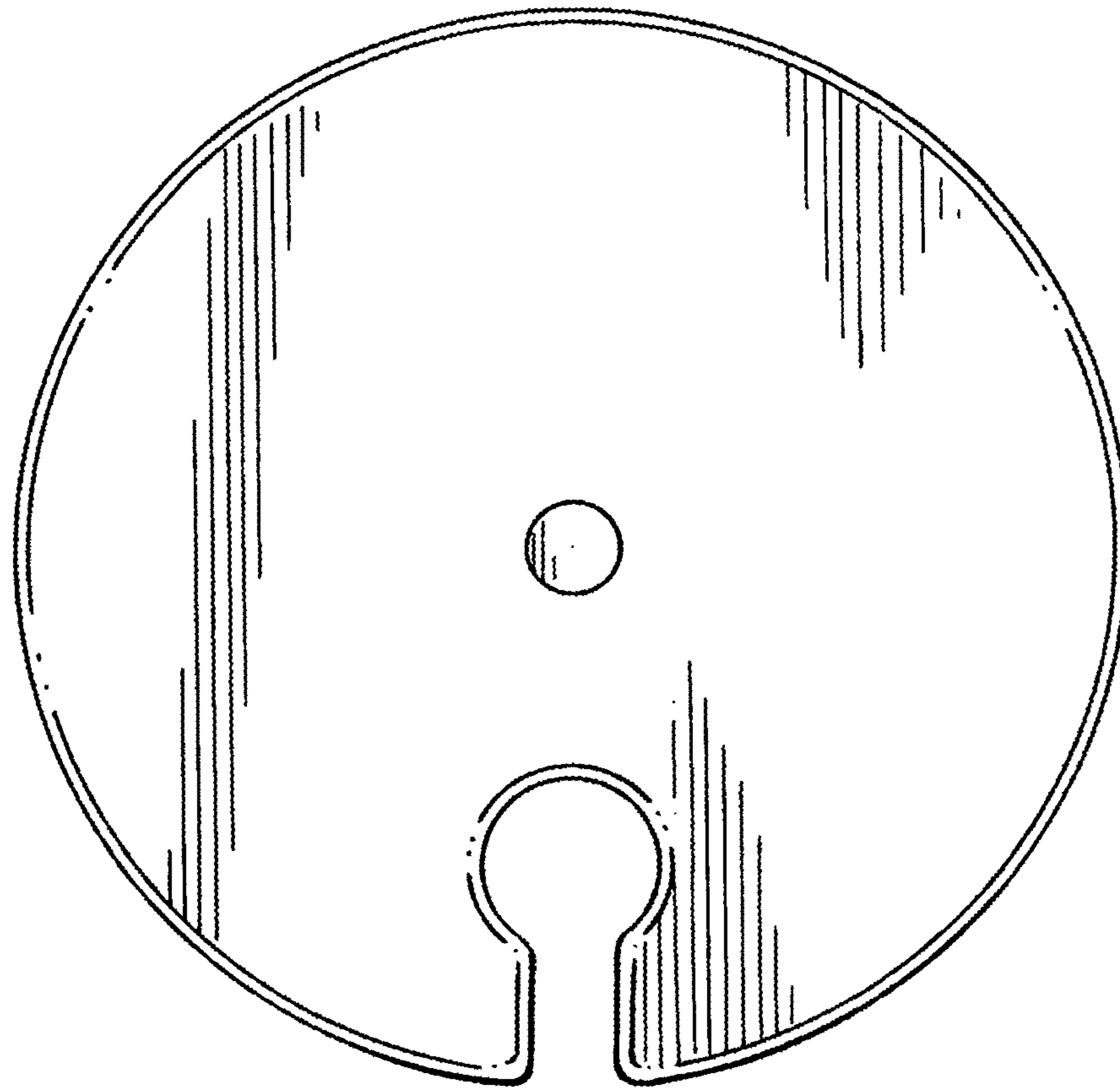


FIG. 2

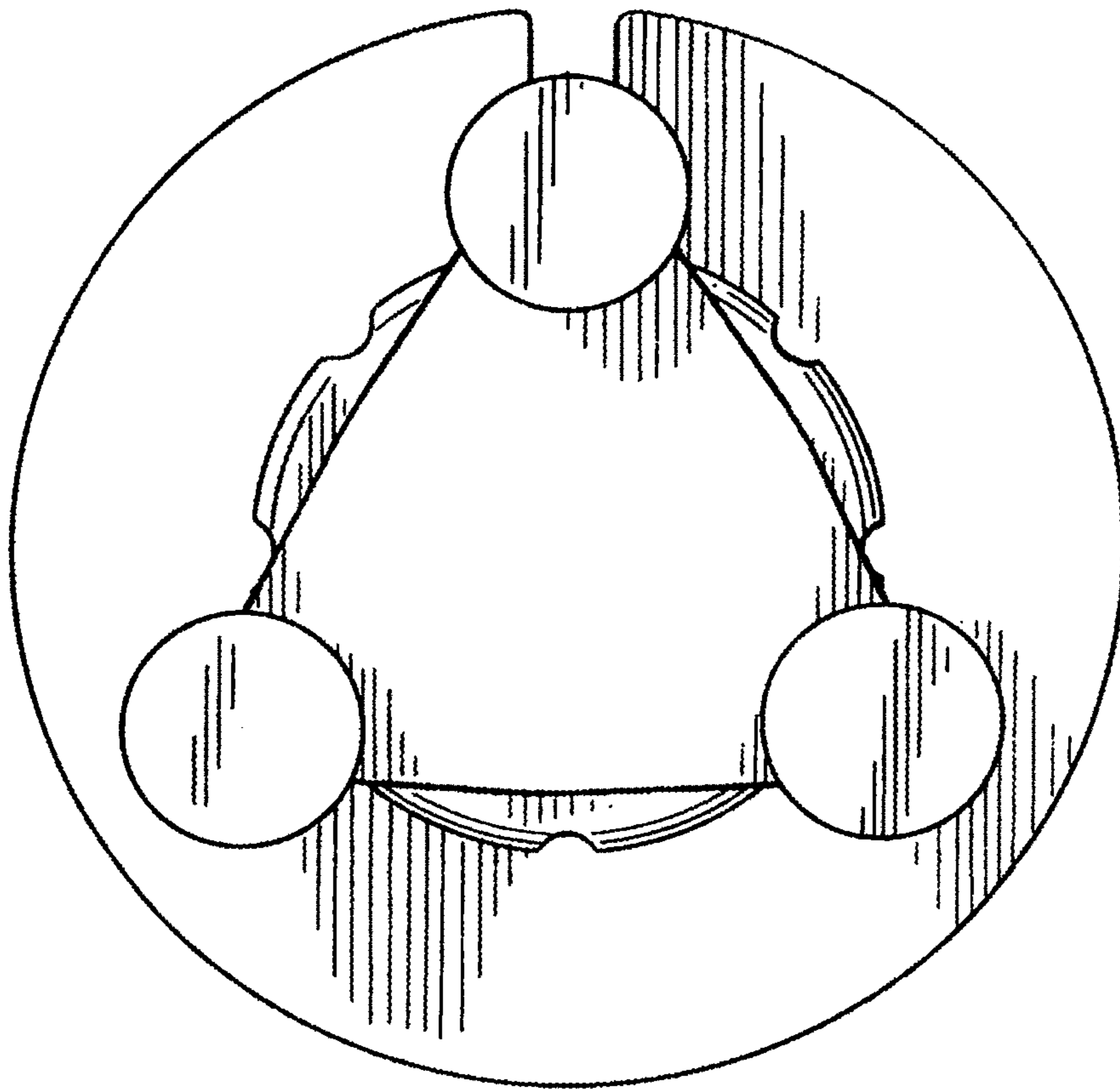


FIG. 3

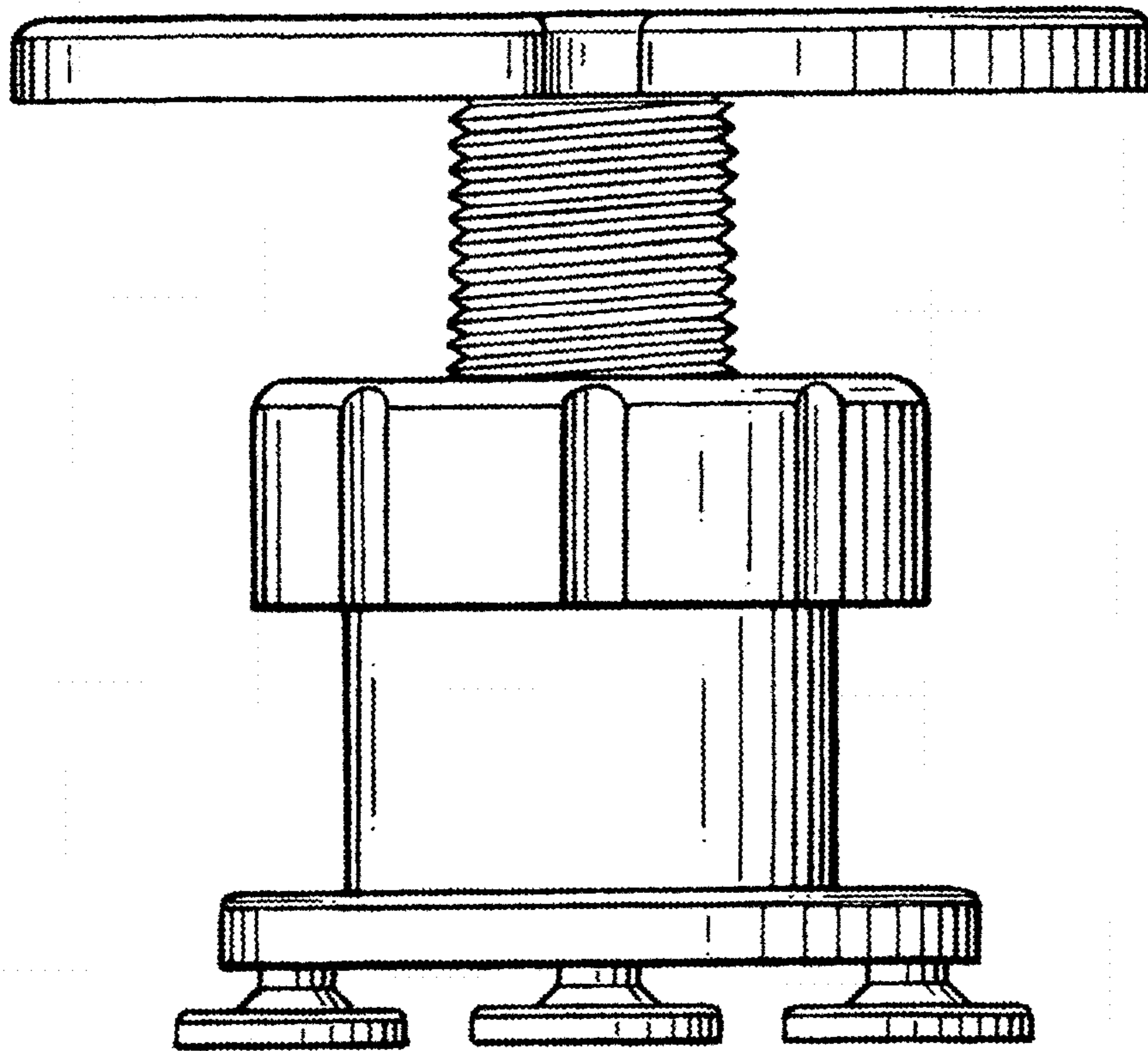


FIG. 4

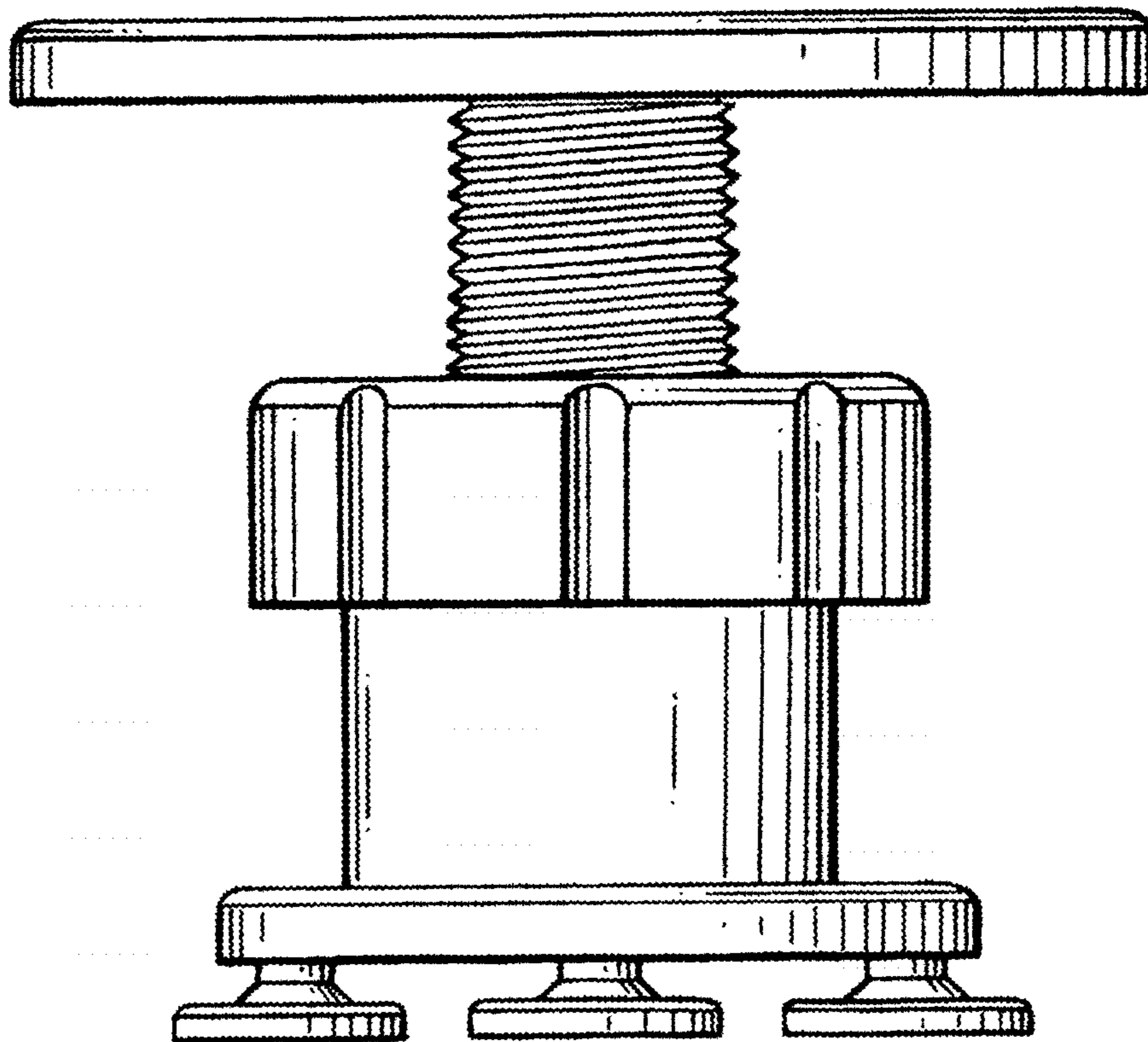


FIG. 5

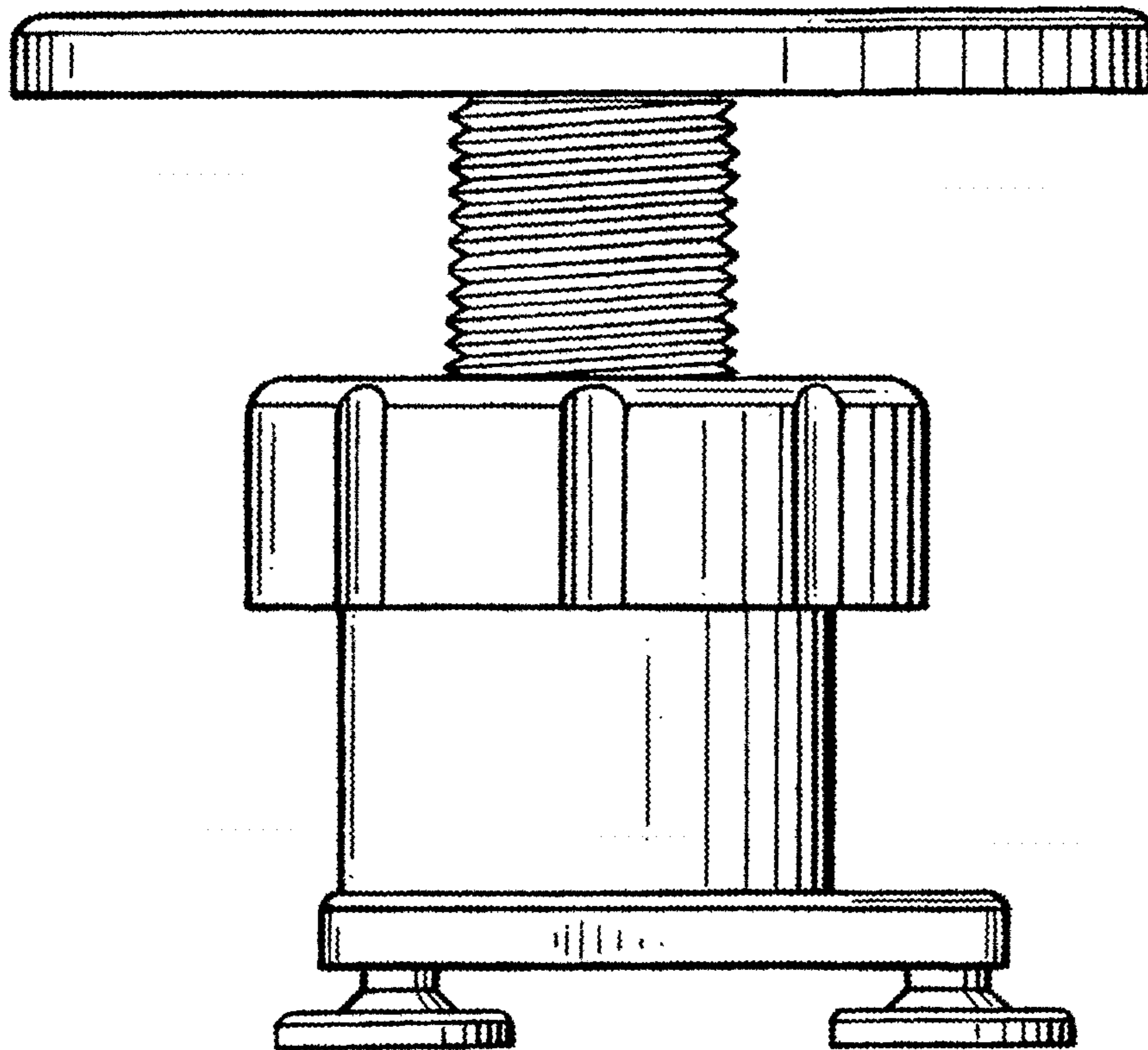


FIG. 6