



US00D777002S

(12) **United States Design Patent**
Carrington

(10) **Patent No.:** **US D777,002 S**
(45) **Date of Patent:** **** Jan. 24, 2017**

- (54) **AGLET REPAIR TOOL**
- (71) Applicant: **Jawara Carrington**, Washington, DC
(US)
- (72) Inventor: **Jawara Carrington**, Washington, DC
(US)
- (**) Term: **14 Years**
- (21) Appl. No.: **29/487,184**
- (22) Filed: **Apr. 7, 2014**
- (51) **LOC (10) Cl.** **08-05**
- (52) **U.S. Cl.**
USPC **D8/51**
- (58) **Field of Classification Search**
USPC D8/4, 5, 51-60
CPC B25B 27/023; B25B 27/02; B25B 27/062;
Y10T 29/53852; Y10T 29/53861
See application file for complete search history.

- D335,805 S * 5/1993 Ransom D8/51
- D373,059 S * 8/1996 Hodges D8/51
- D657,645 S * 4/2012 Scott D8/51
- D741,675 S * 10/2015 Gibson, Jr. D8/52

* cited by examiner

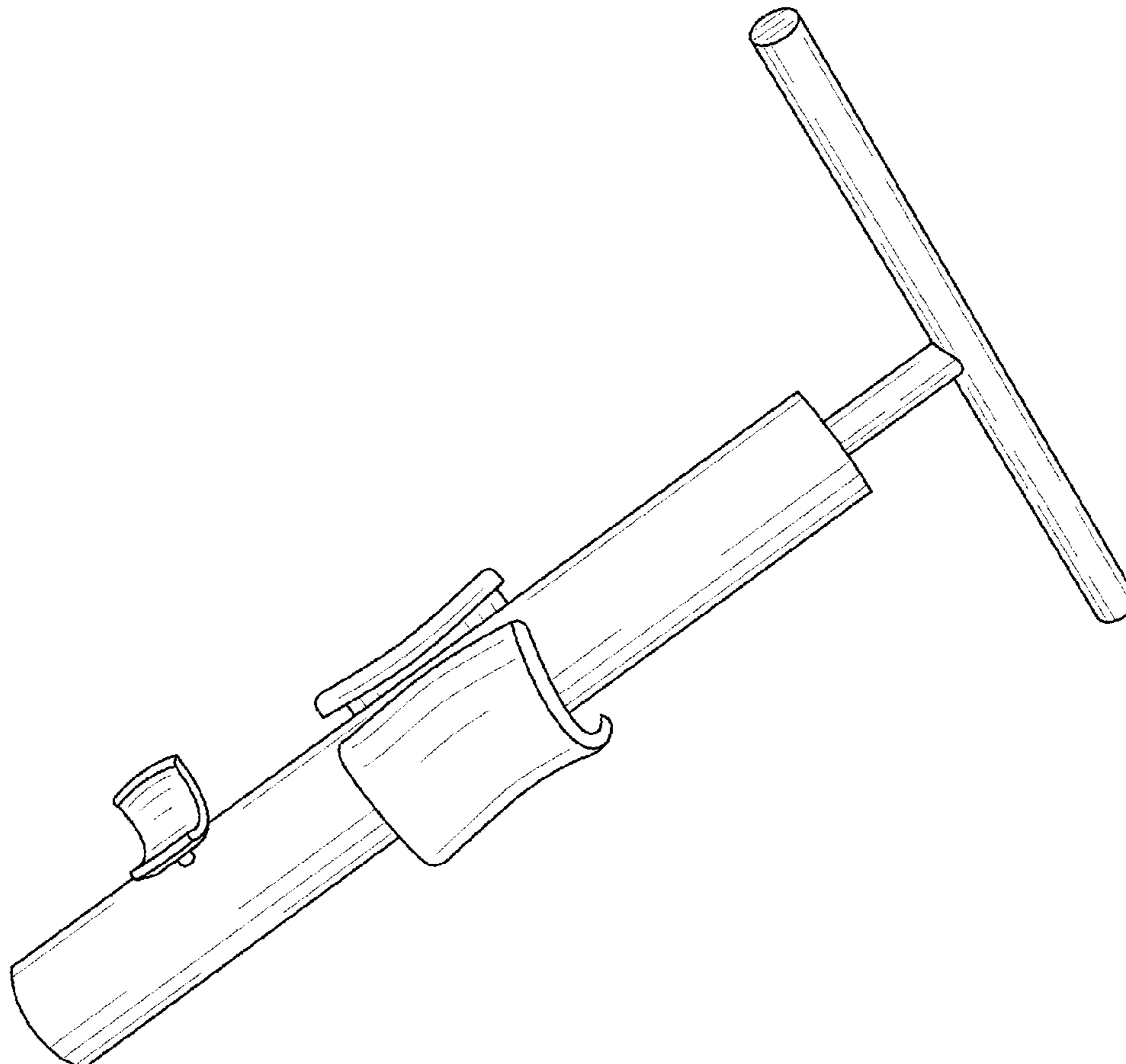
Primary Examiner — Deanna L Pratt
(74) *Attorney, Agent, or Firm* — Gulf Coast Intellectual
Property Group

- (56) **References Cited**
U.S. PATENT DOCUMENTS
1,432,558 A * 10/1922 Jackson B21D 53/58
72/411
D294,796 S * 3/1988 Bonbright D8/51

(57) **CLAIM**
The ornamental design for the aglet repair tool, as shown
and described.

DESCRIPTION
FIG. 1 is a front view of the present invention; and
FIG. 2 is a rear view of the present invention; and
FIG. 3 is a left side view of the present invention; and
FIG. 4 is a right side view of the present invention; and,
FIG. 5 is a perspective view of the present invention.

1 Claim, 3 Drawing Sheets



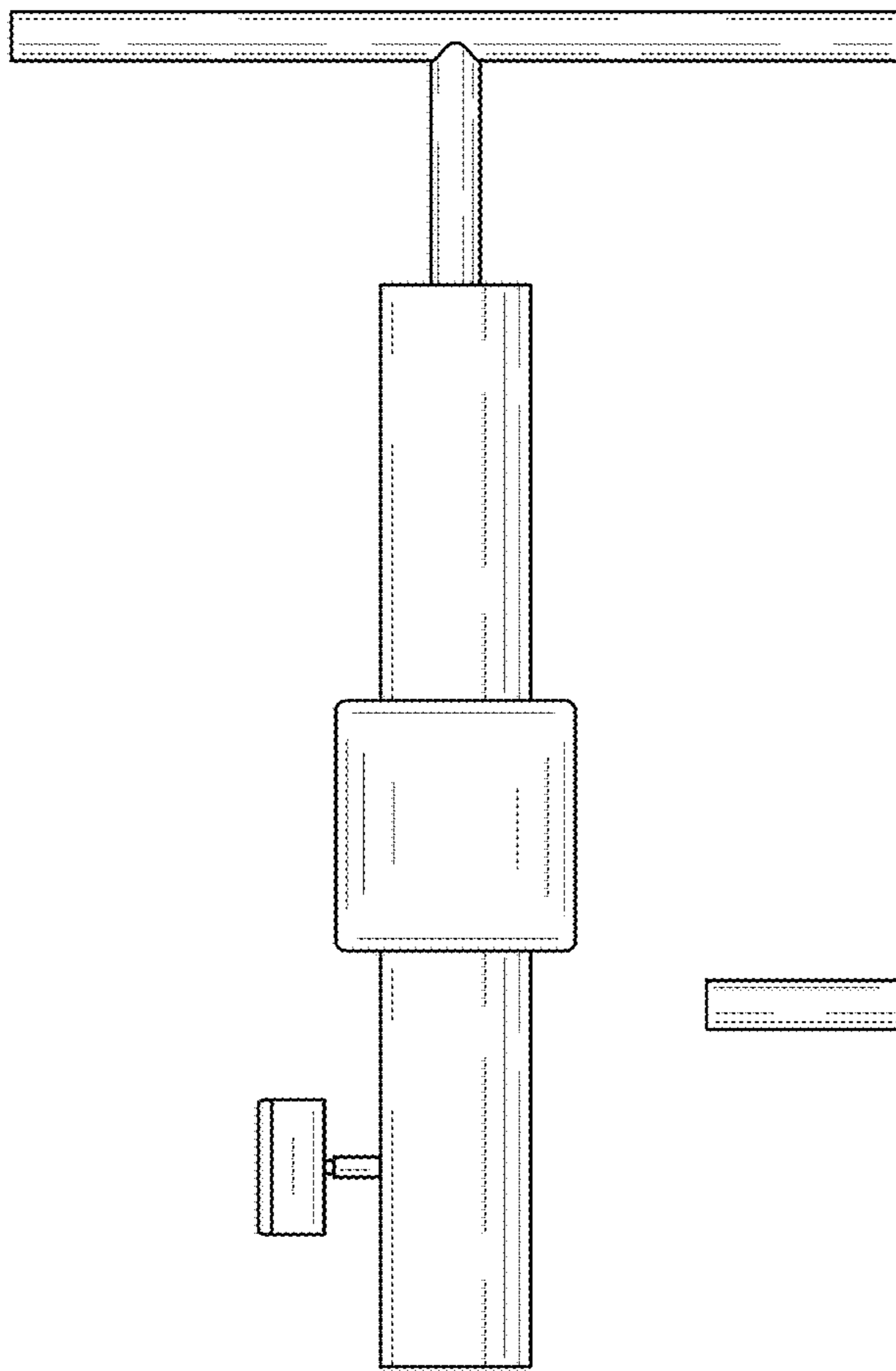


FIG. 1

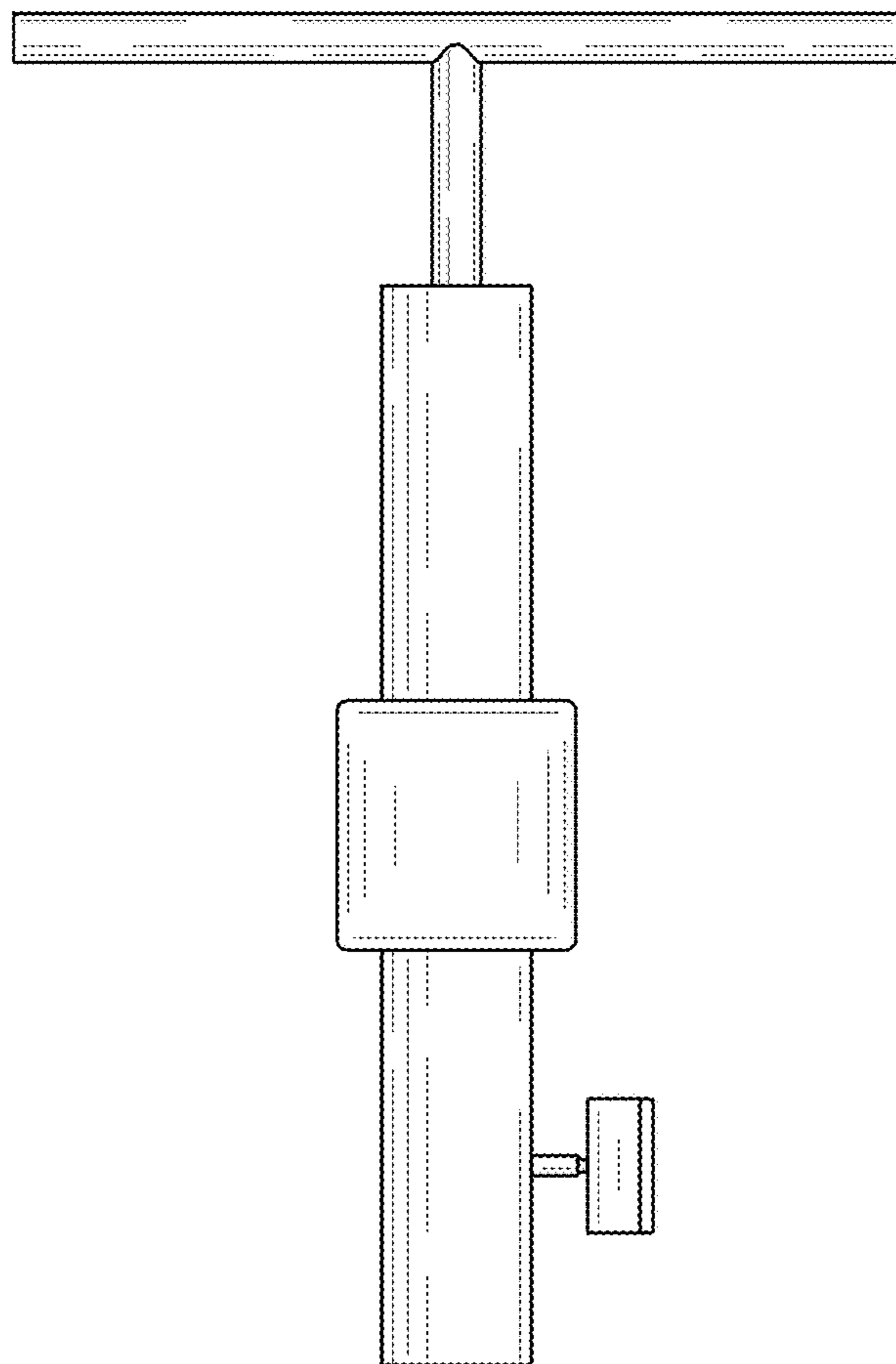


FIG. 2

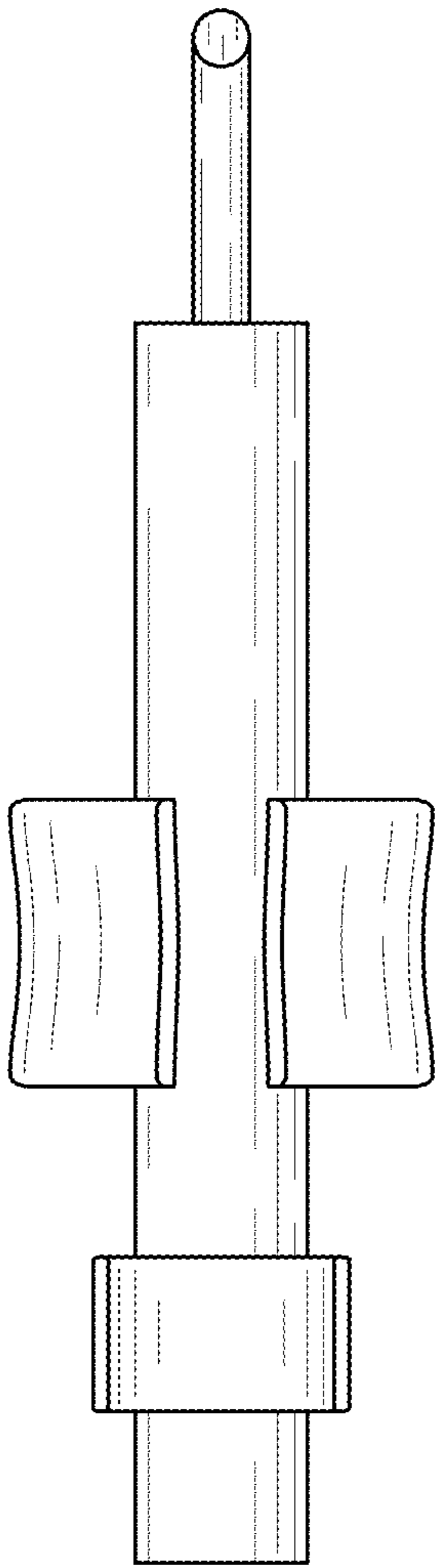


FIG. 3

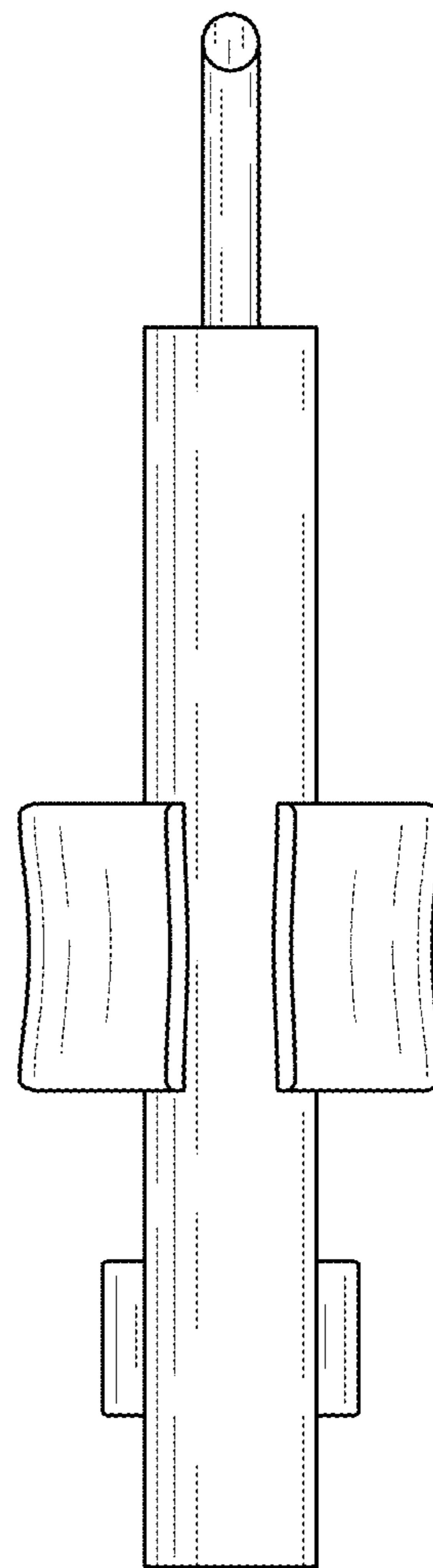


FIG. 4

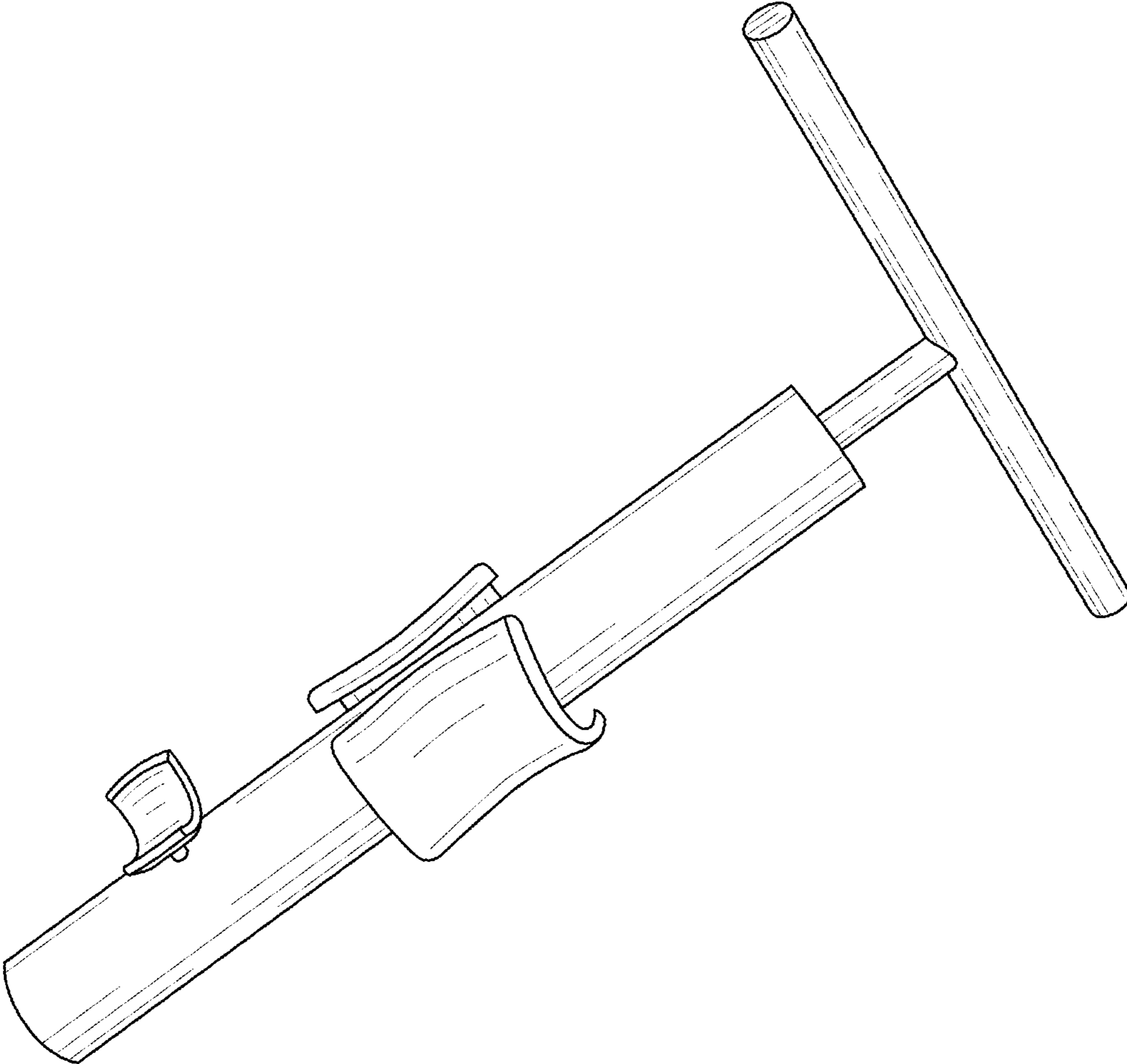


FIG. 5