



US00D777001S

(12) **United States Design Patent**  
**Huang et al.**

(10) **Patent No.:** **US D777,001 S**

(45) **Date of Patent:** **\*\* Jan. 24, 2017**

(54) **PALM RATCHET**

(71) Applicants: **Zi-Yan Huang**, New Taipei (TW);  
**Yao-Lin Cho**, Taichung (TW)

(72) Inventors: **Zi-Yan Huang**, New Taipei (TW);  
**Yao-Lin Cho**, Taichung (TW)

(\*\*) Term: **15 Years**

(21) Appl. No.: **29/538,511**

(22) Filed: **Sep. 4, 2015**

(30) **Foreign Application Priority Data**

Jun. 5, 2015 (TW) ..... 104303052

(51) **LOC (10) Cl.** ..... **08-05**

(52) **U.S. Cl.**  
USPC ..... **D8/25**

(58) **Field of Classification Search**  
USPC ..... 81/58, 58.1, 59.1, 60, 61, 62, 63, 63.1,  
81/63.2, 121.1, 125, 177.1, 177.2,  
81/177.85, 180.1, 489; D8/25  
CPC ..... B25B 13/00; B25B 13/48; B25B 23/02;  
B25B 23/10; B25G 1/10; B25G 1/00  
See application file for complete search history.

(56) **References Cited**

**U.S. PATENT DOCUMENTS**

D359,211 S \* 6/1995 Knox ..... D8/25  
5,542,322 A \* 8/1996 Knox ..... B25B 13/461  
81/177.6

D419,837 S \* 2/2000 Knox ..... D8/25  
D456,462 S \* 4/2002 Sorensen ..... D21/488  
6,968,758 B2 \* 11/2005 Lin ..... B25B 13/462  
81/176.1  
D556,007 S \* 11/2007 Hung ..... D8/107  
D635,430 S \* 4/2011 Robinson ..... D8/83  
D675,893 S \* 2/2013 Chen ..... D8/25  
D718,586 S \* 12/2014 Jiang ..... D8/25

\* cited by examiner

*Primary Examiner* — Randall Gholson

(74) *Attorney, Agent, or Firm* — Guice Patents PLLC

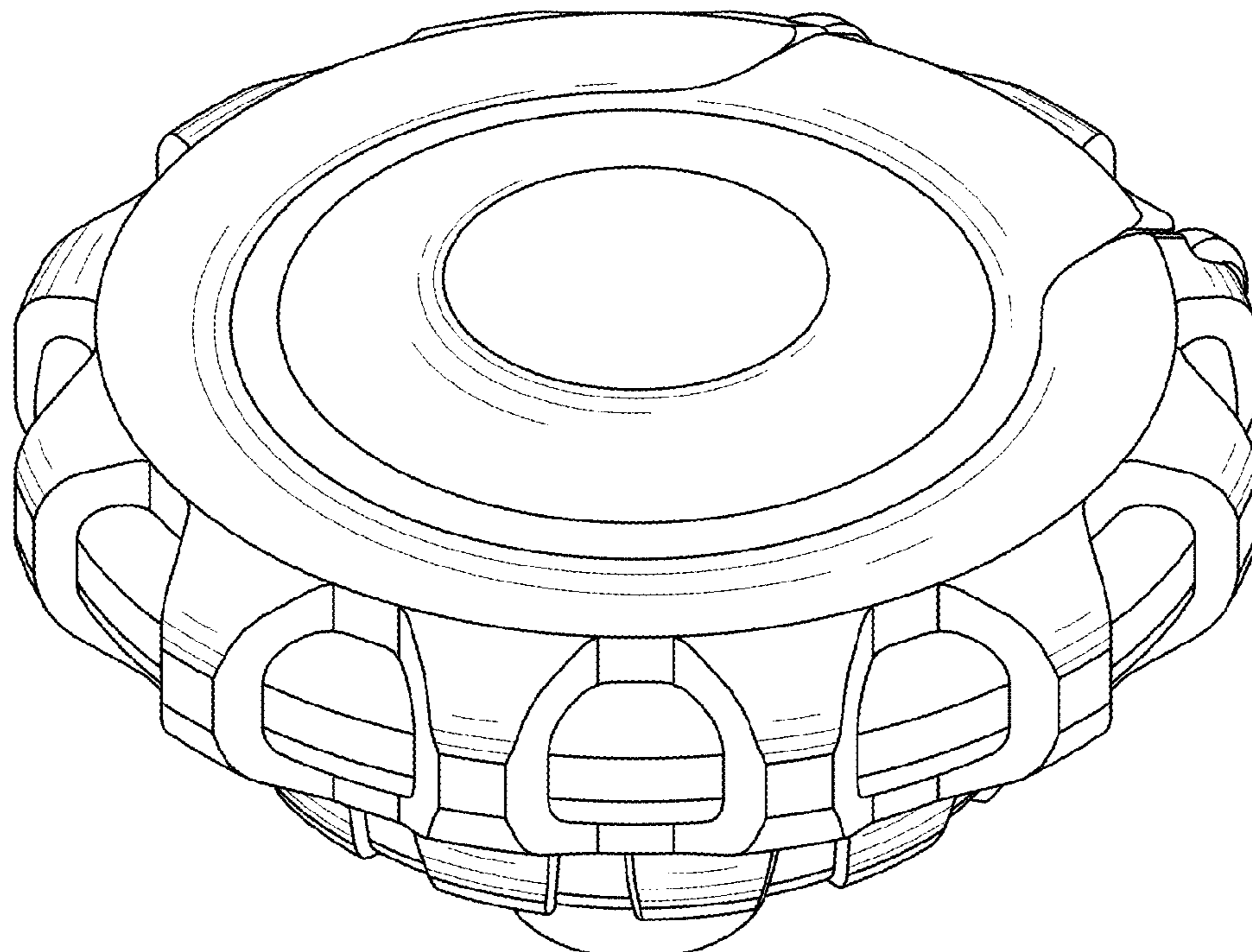
(57) **CLAIM**

We claim that the ornamental design for a palm ratchet, as shown.

**DESCRIPTION**

FIG. 1 is a perspective view of a palm ratchet showing our new design;  
FIG. 2 is a front elevational view thereof;  
FIG. 3 is a rear elevational view thereof;  
FIG. 4 is a left side elevational view thereof;  
FIG. 5 is a right side elevational view thereof;  
FIG. 6 is a top plan view thereof;  
FIG. 7 is a bottom plan view thereof;  
FIG. 8 is a perspective view of a palm ratchet showing another embodiment of our new design; and,  
FIG. 9 is a view showing the application thereof.

**1 Claim, 7 Drawing Sheets**



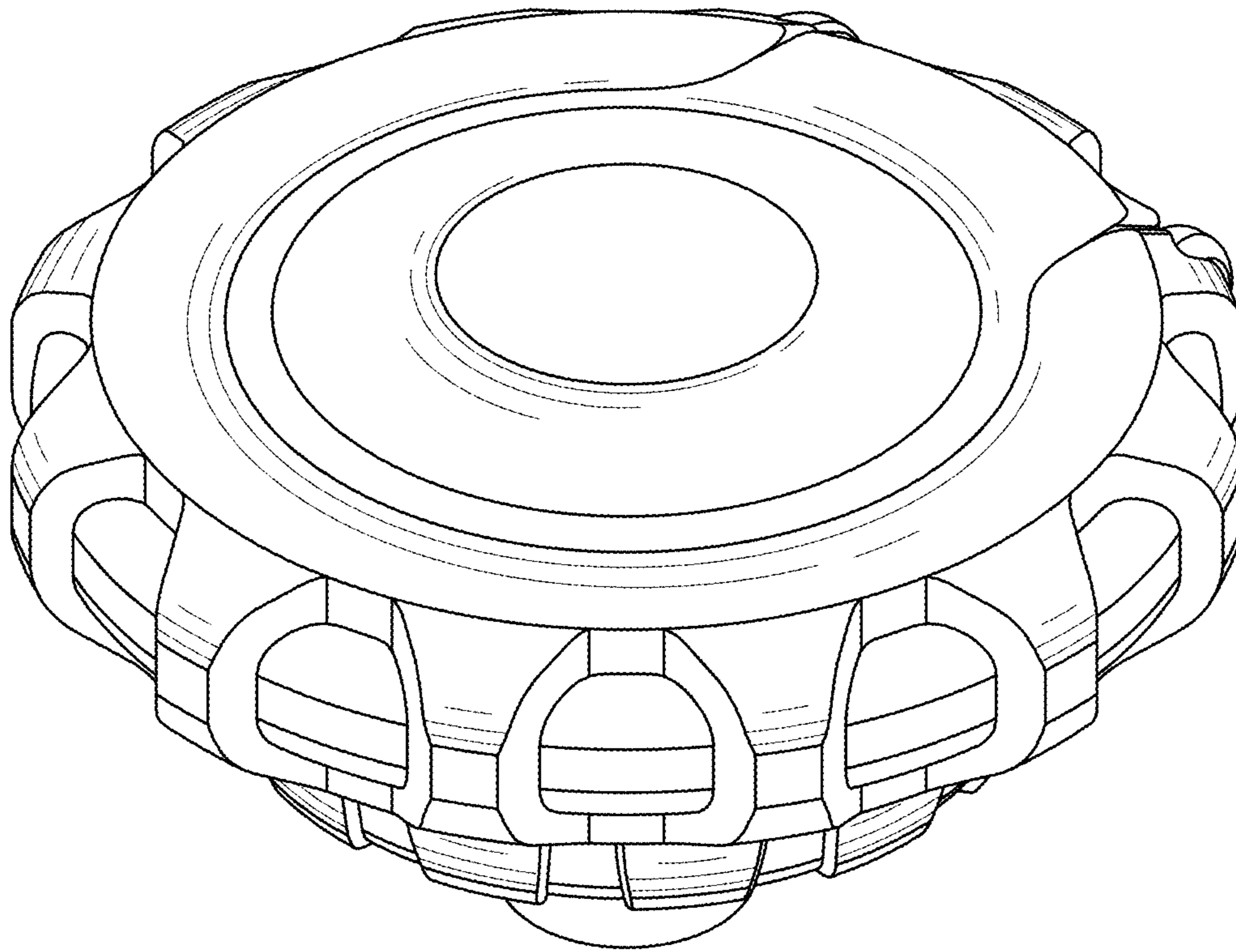


FIG.1

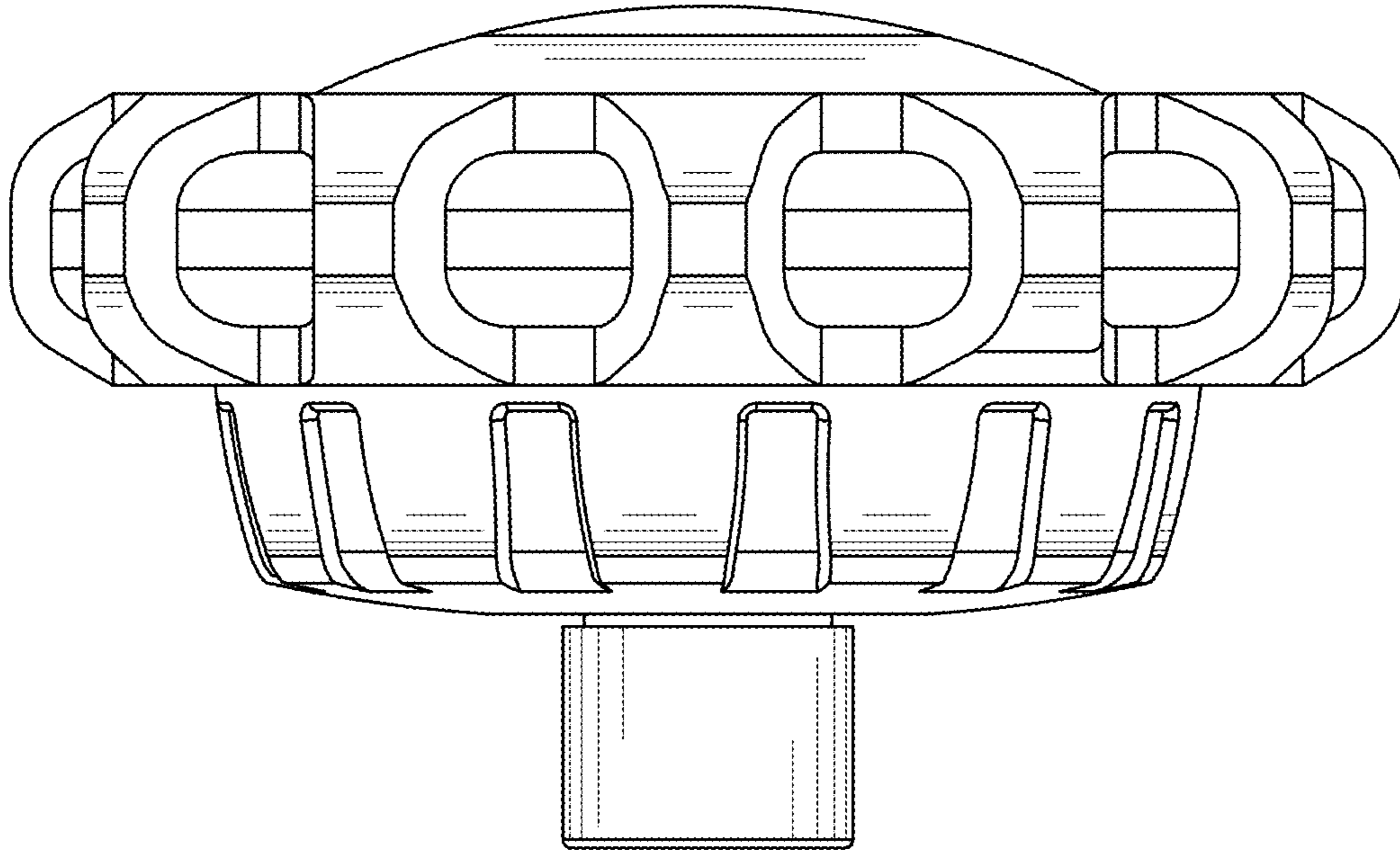


FIG.2

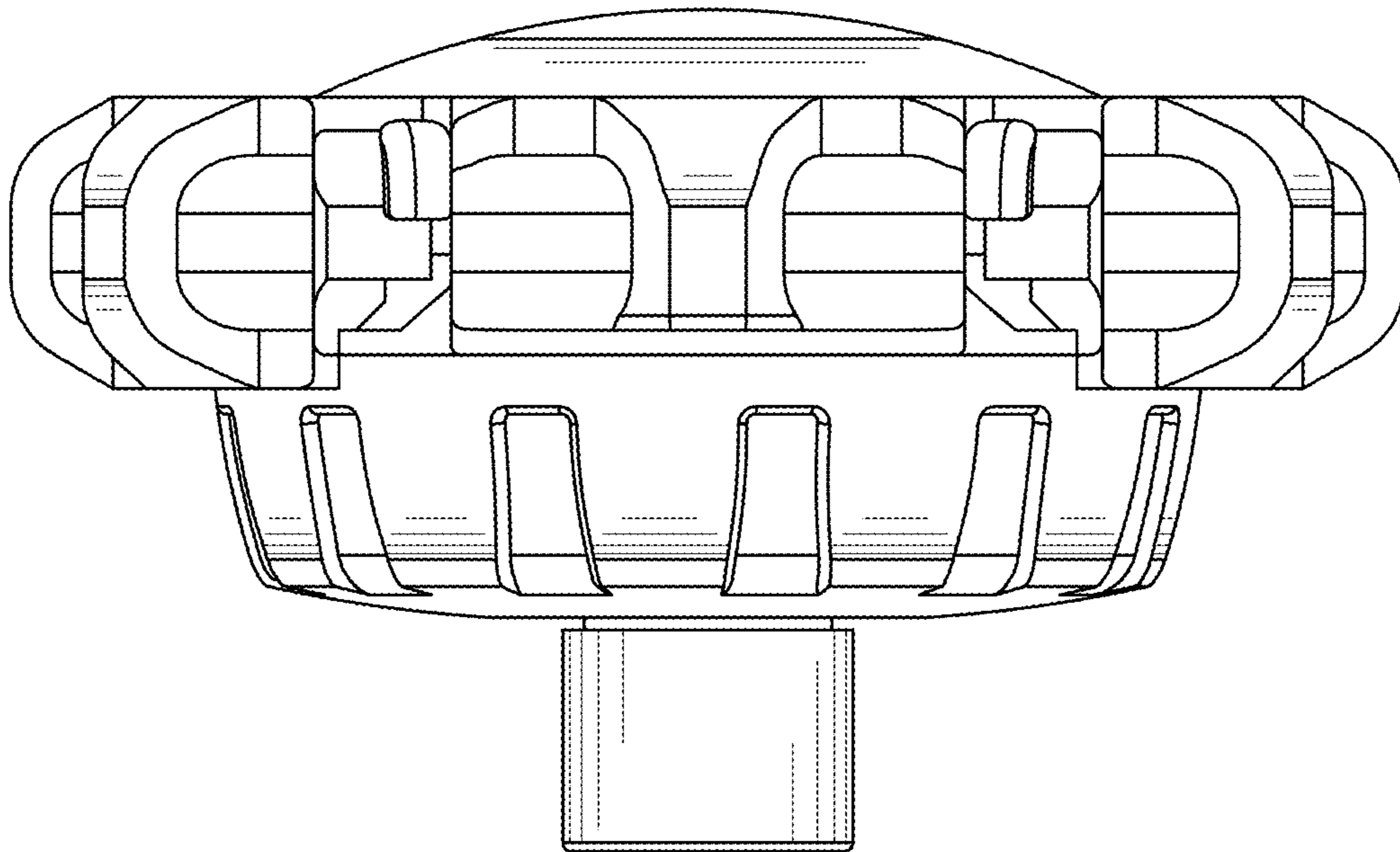


FIG.3

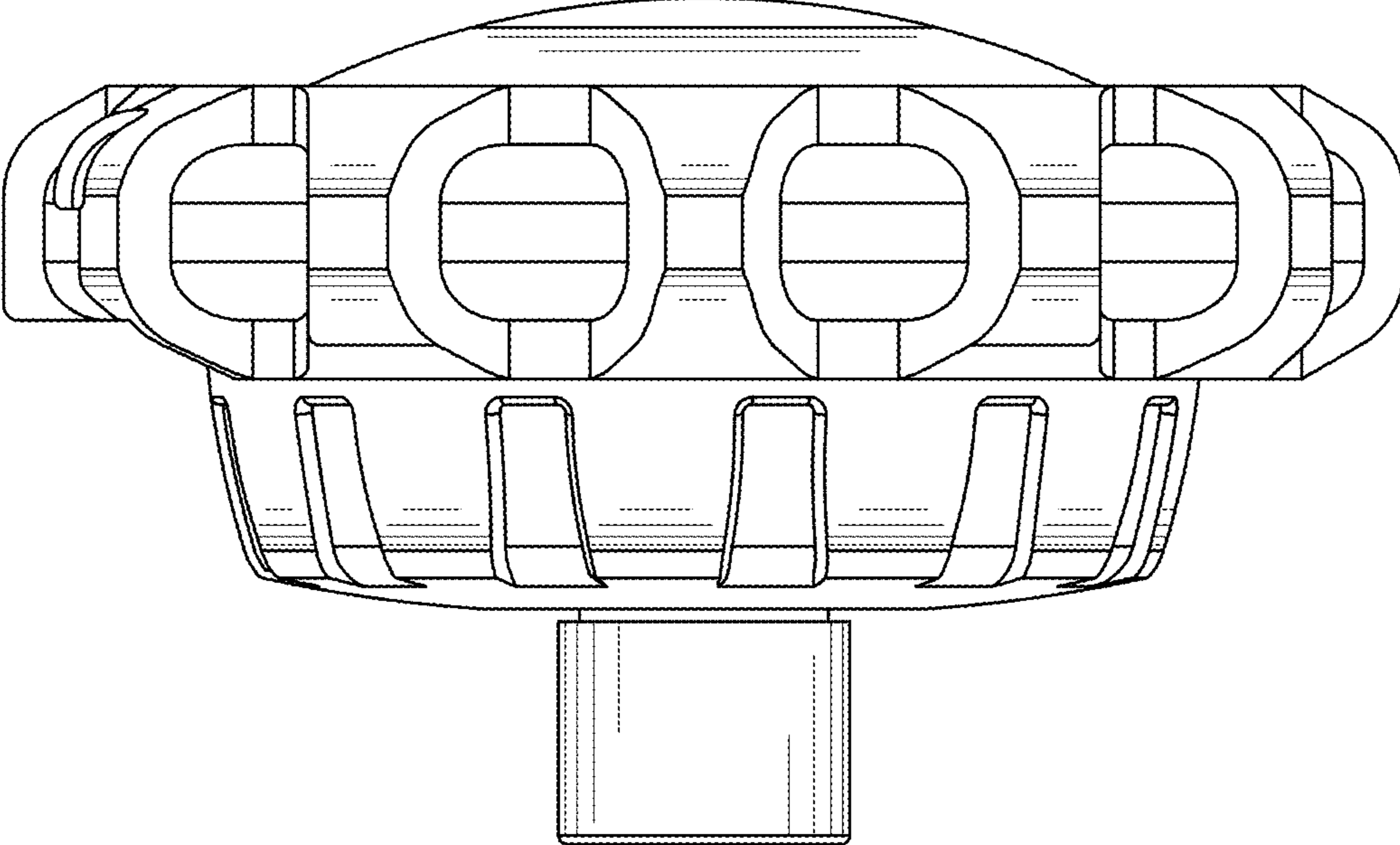


FIG.4

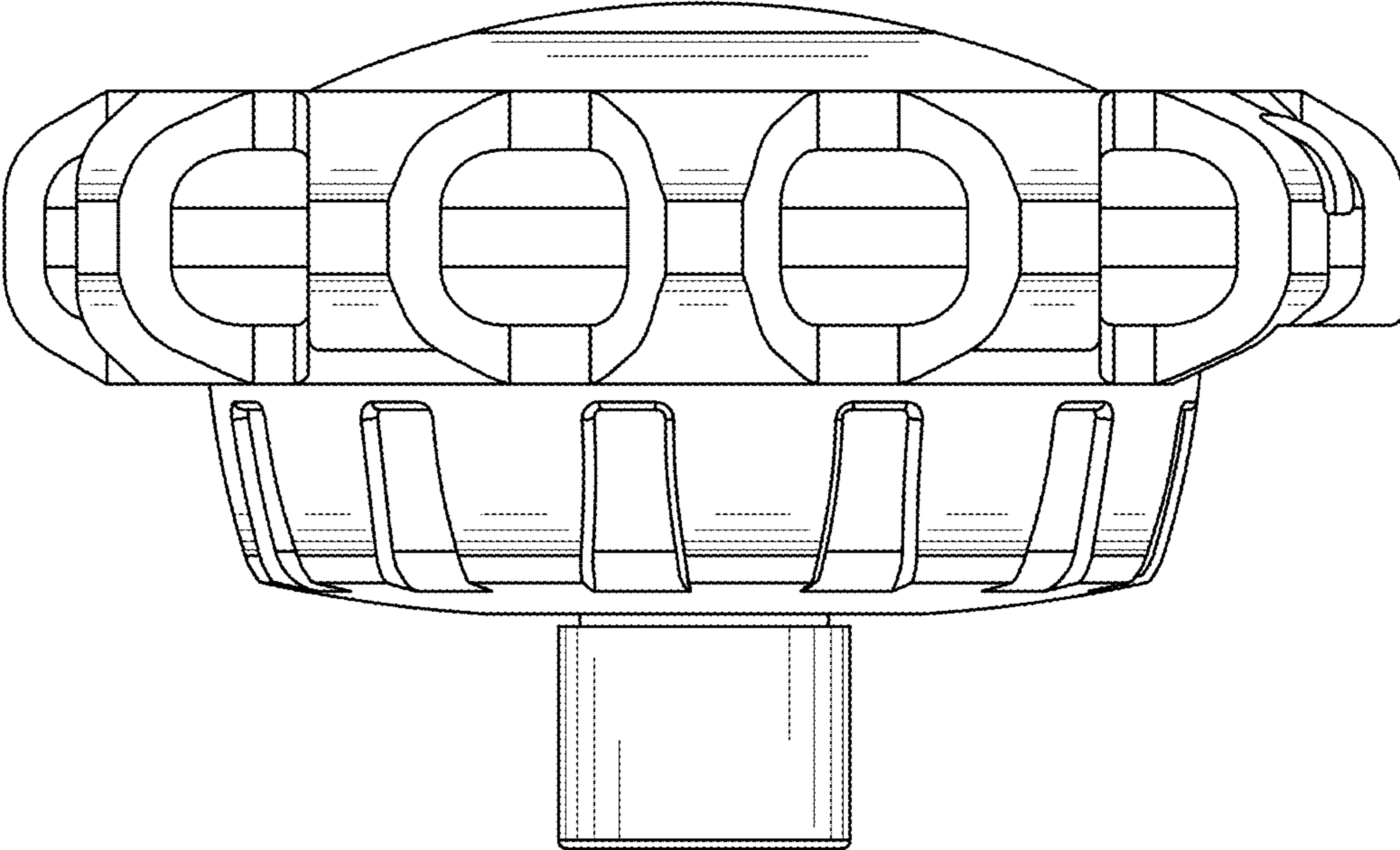


FIG.5

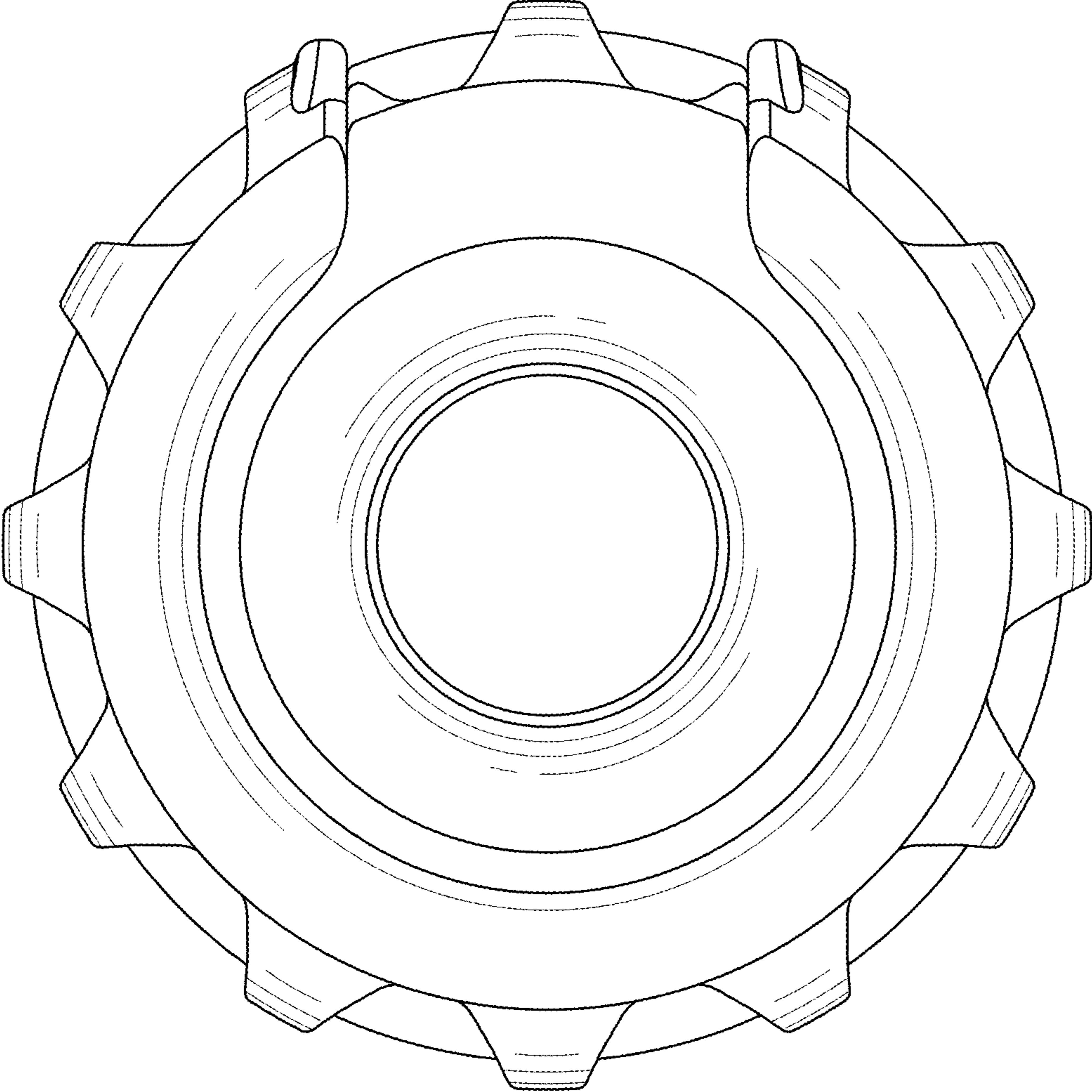


FIG.6

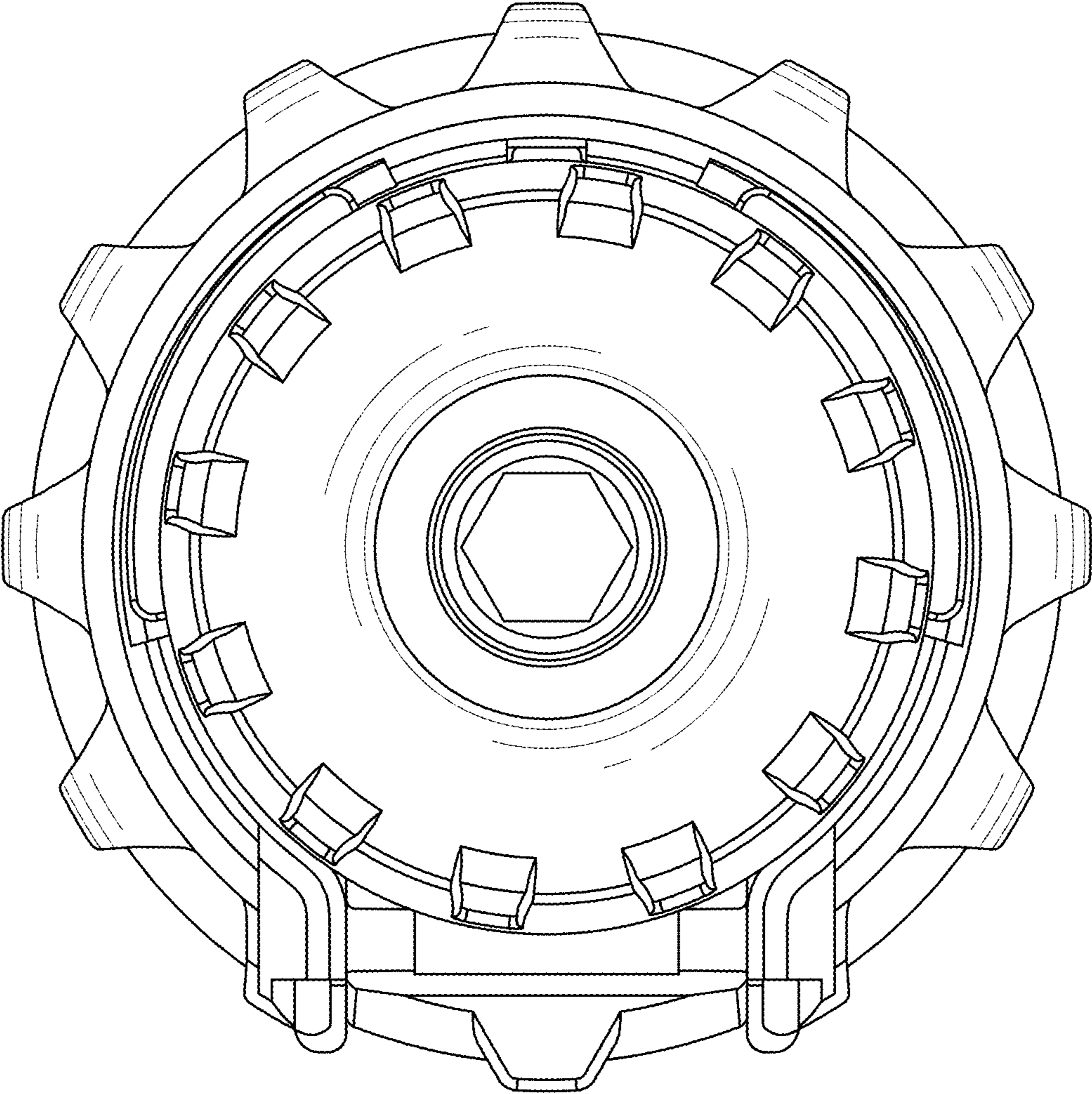


FIG.7

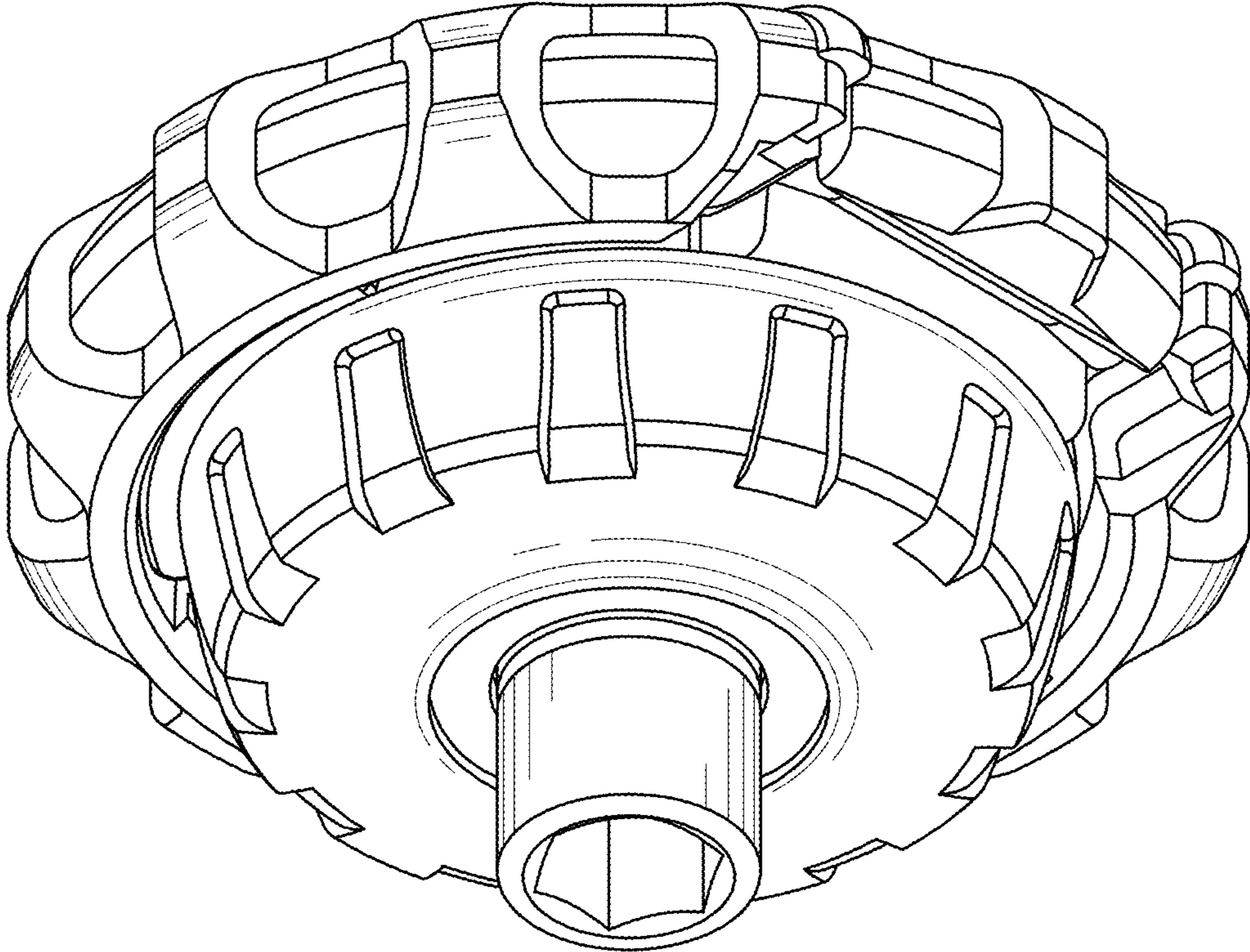


FIG.8

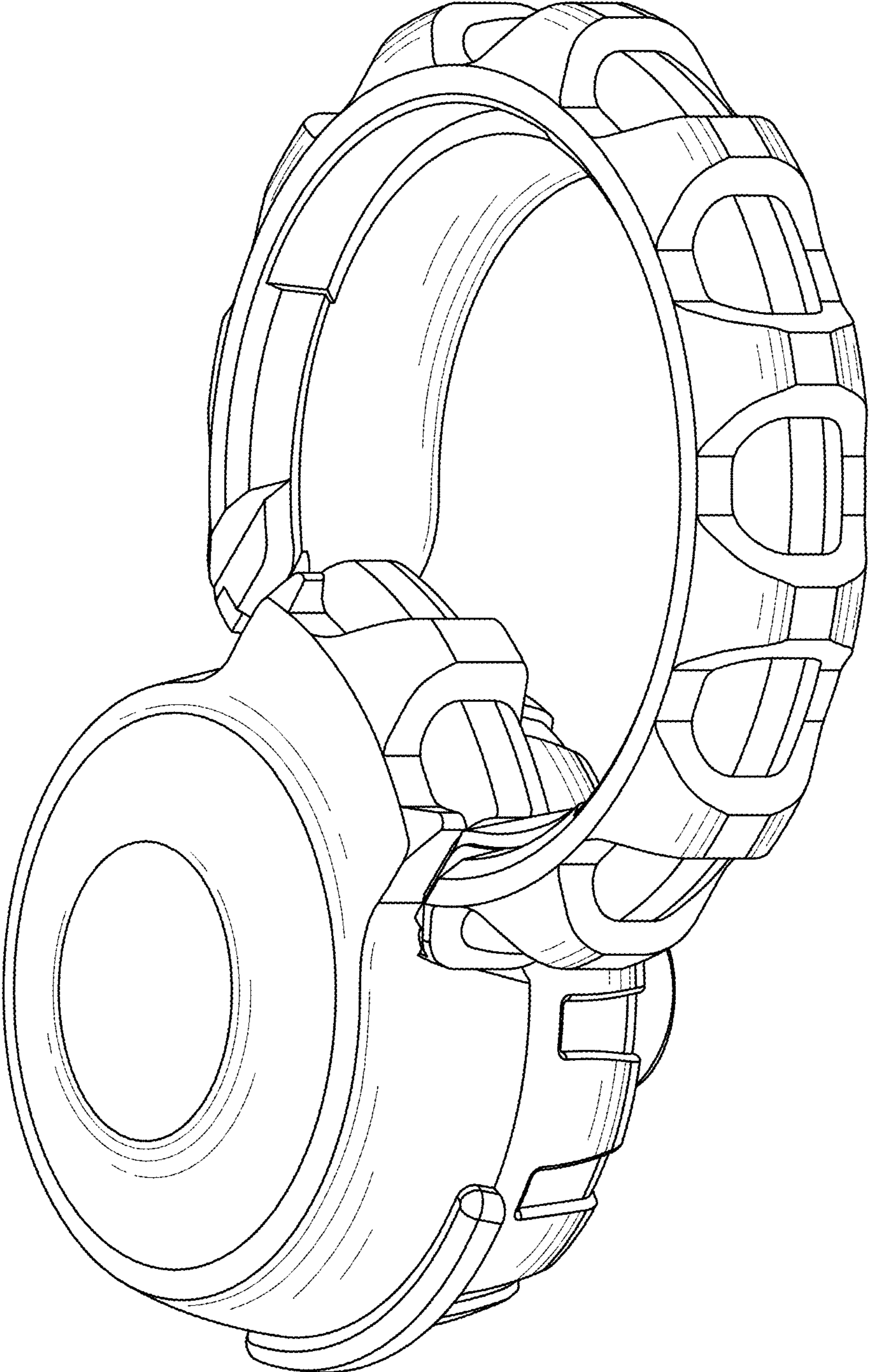


FIG. 9