



US00D777000S

(12) **United States Design Patent**
Wyman

(10) **Patent No.:** **US D777,000 S**
(45) **Date of Patent:** **** Jan. 24, 2017**

(54) **HOOK COMPONENT FOR A PUSH-PULL TOOL**

(71) Applicant: **Kenneth E. Wyman**, Hanna City, IL (US)

(72) Inventor: **Kenneth E. Wyman**, Hanna City, IL (US)

(**) Term: **15 Years**

(21) Appl. No.: **29/540,056**

(22) Filed: **Sep. 21, 2015**

(51) **LOC (10) Cl.** **08-05**

(52) **U.S. Cl.**
USPC **D8/14**

(58) **Field of Classification Search**
USPC ... D8/1, 14, 51, 47, 71, 308, 367, 349, 402;
D25/137, 134, 42; D21/484
CPC B25J 1/04; B25J 15/00
See application file for complete search history.

(56) **References Cited**

U.S. PATENT DOCUMENTS

4,624,494 A *	11/1986	Huppert	B25J 1/04 294/175
D459,959 S *	7/2002	Fetterman	D8/14
D493,680 S *	8/2004	Raymond	D8/14
7,334,825 B1 *	2/2008	Sammon	B25H 5/00 294/24

7,673,912 B2 *	3/2010	Breining	B25B 9/00 294/210
8,262,147 B2 *	9/2012	Boyum	A47F 13/06 294/209
D714,600 S *	10/2014	Bond	D8/14
8,915,529 B1 *	12/2014	Bond	B25G 1/04 294/209
9,227,317 B1 *	1/2016	Conley	B25B 33/00
D755,025 S *	5/2016	Conley	D8/14

* cited by examiner

Primary Examiner — Phillip S Hyder

(74) *Attorney, Agent, or Firm* — Anthony Y. Wen; Neal, Gerber & Eisenberg LLP

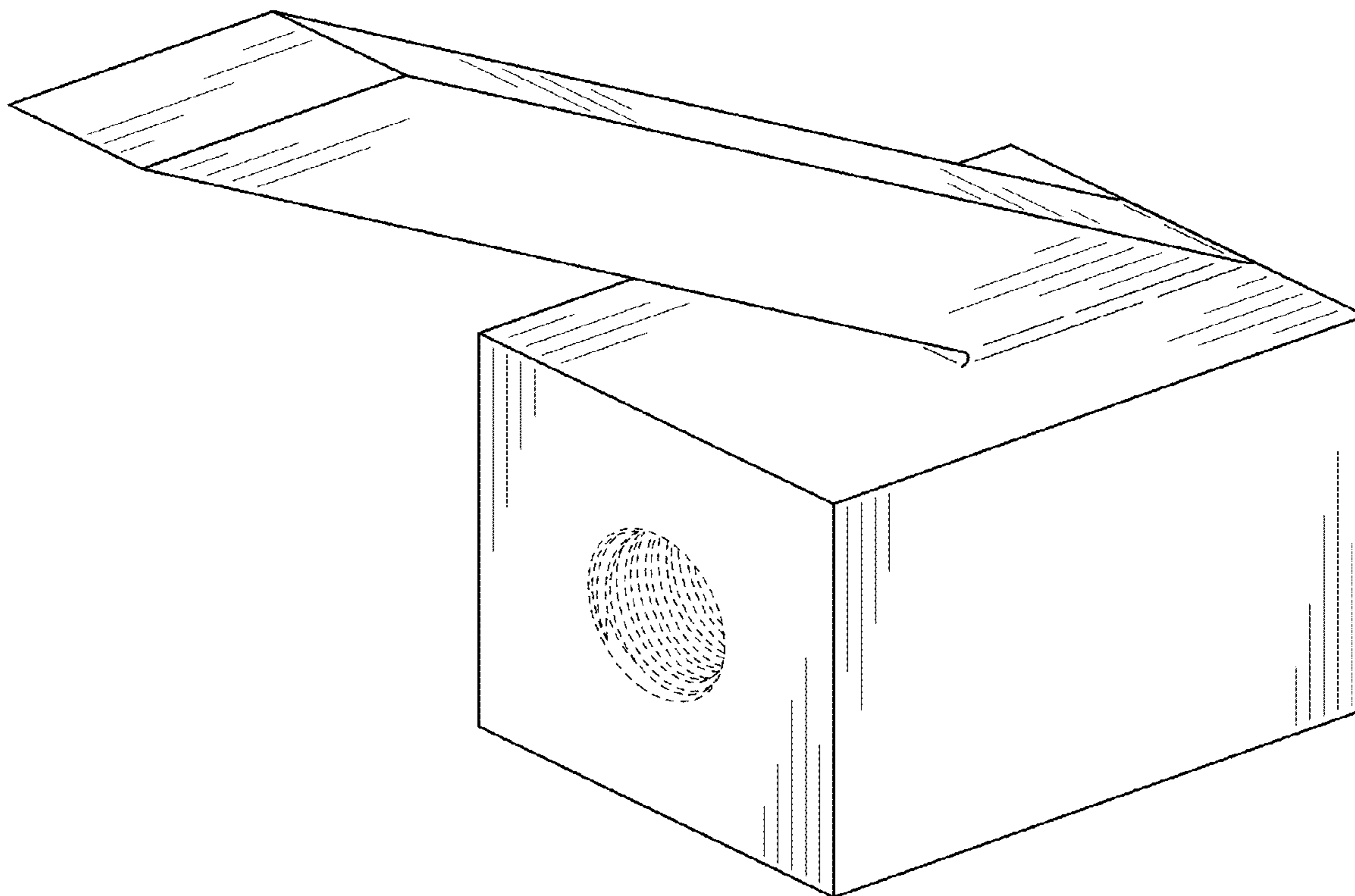
(57) **CLAIM**

The ornamental design for the hook component for a push-pull tool, as shown and described in the accompanying drawings.

DESCRIPTION

FIG. 1 is an isometric view of the hook component for a push-pull tool;
FIG. 2 is a front elevational view thereof;
FIG. 3 is a rear elevational view thereof;
FIG. 4 is a side elevational view thereof, the opposing side being a mirror image of FIG. 4;
FIG. 5 is a top plan view thereof; and,
FIG. 6 is a bottom plan view thereof.
The broken lines in the drawings illustrate the portions of the design that form no part of the claim.

1 Claim, 4 Drawing Sheets



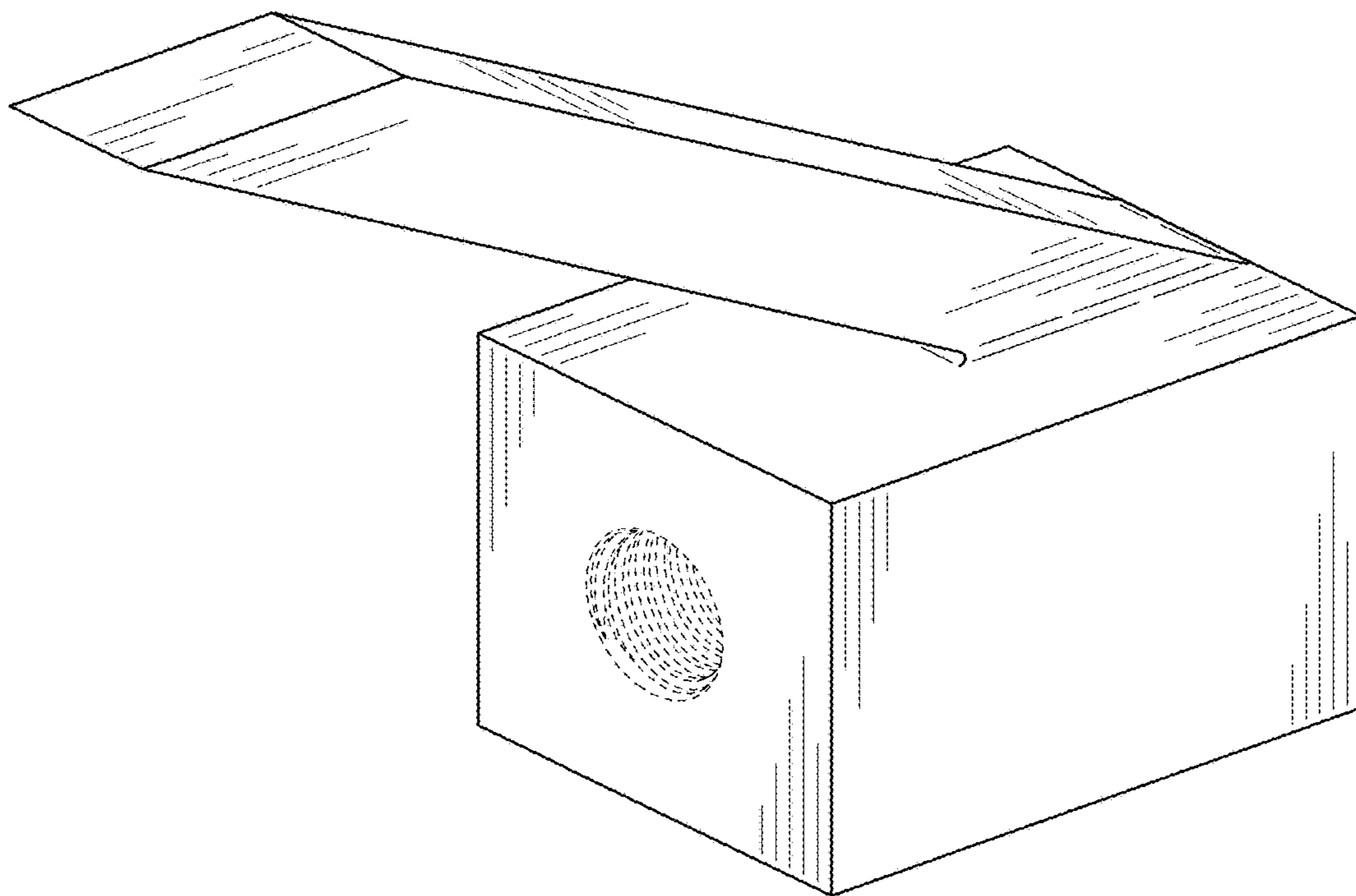


FIG. 1

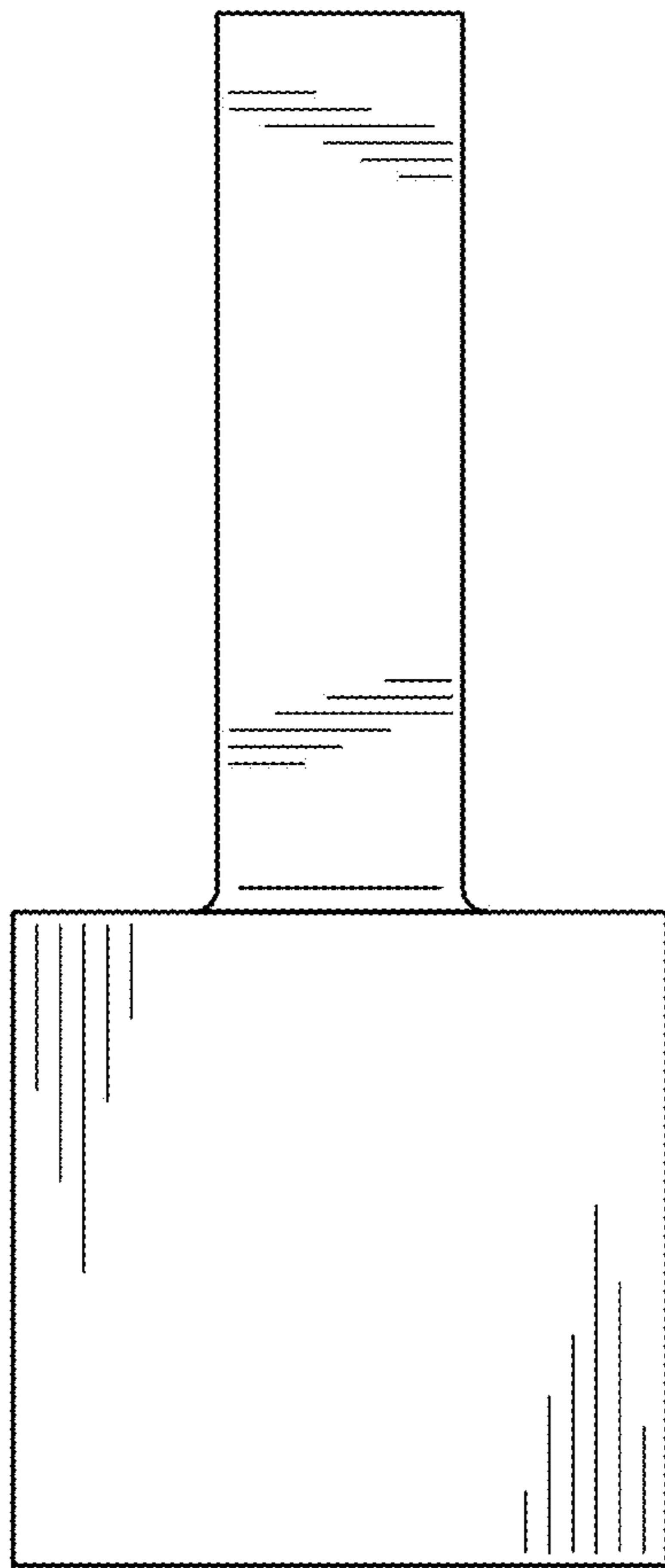


FIG. 2

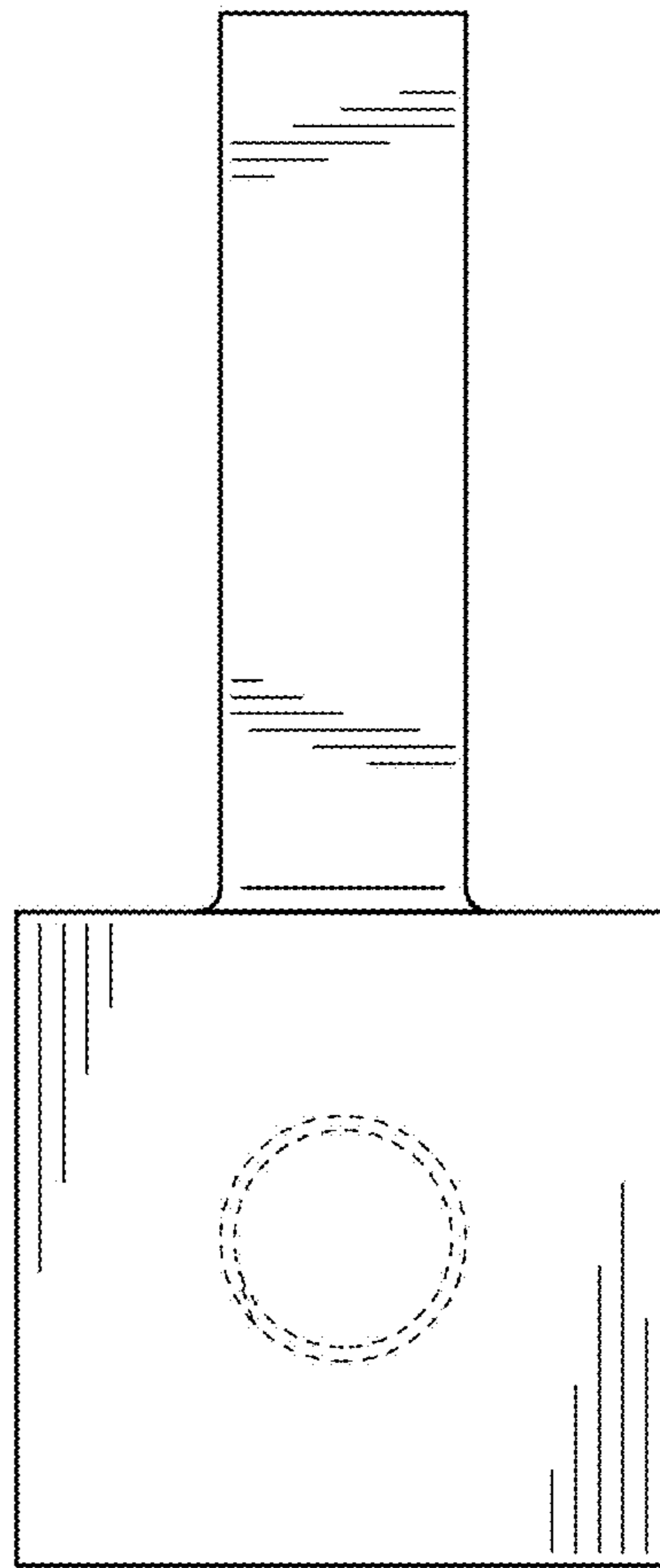


FIG. 3

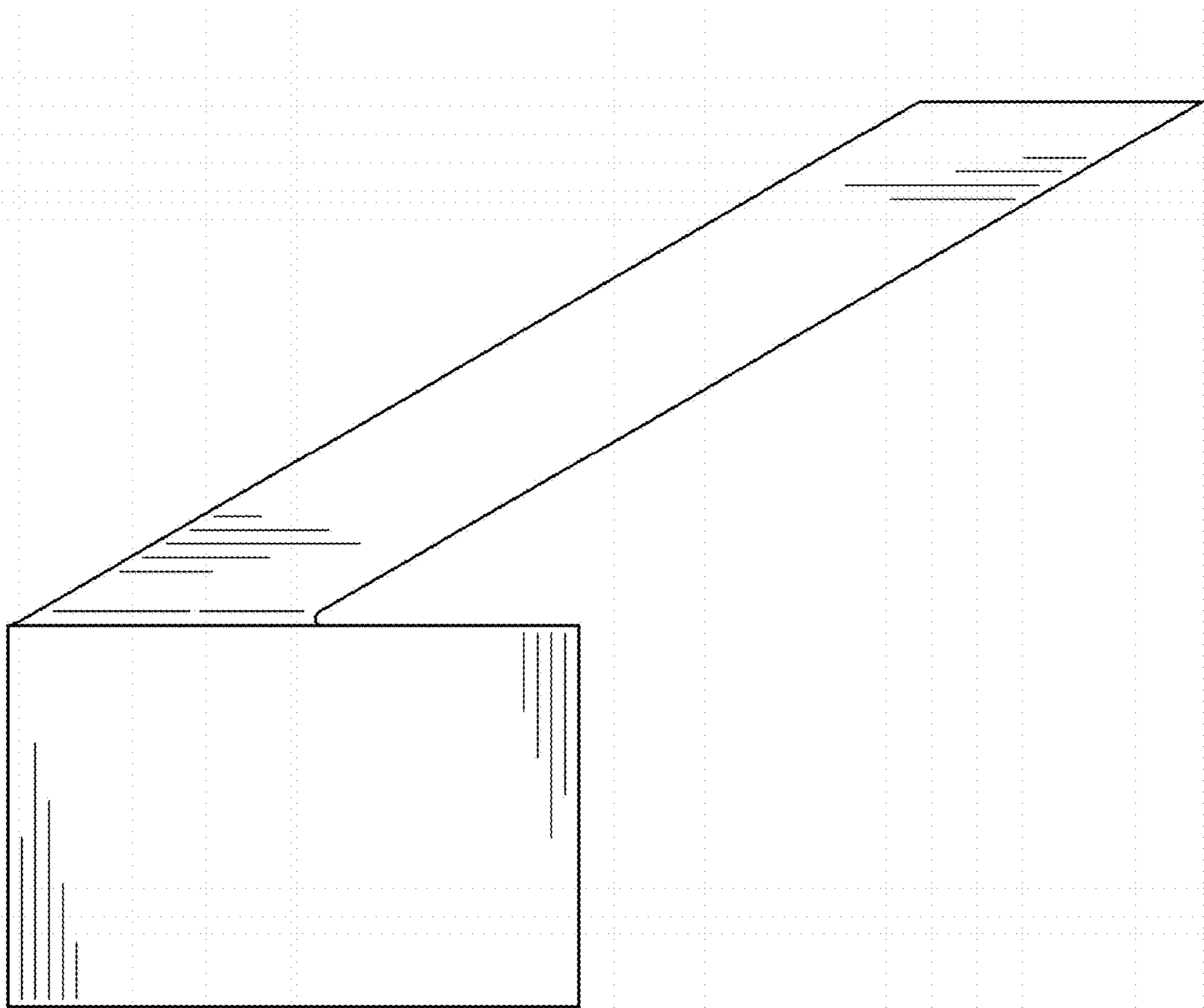


FIG. 4

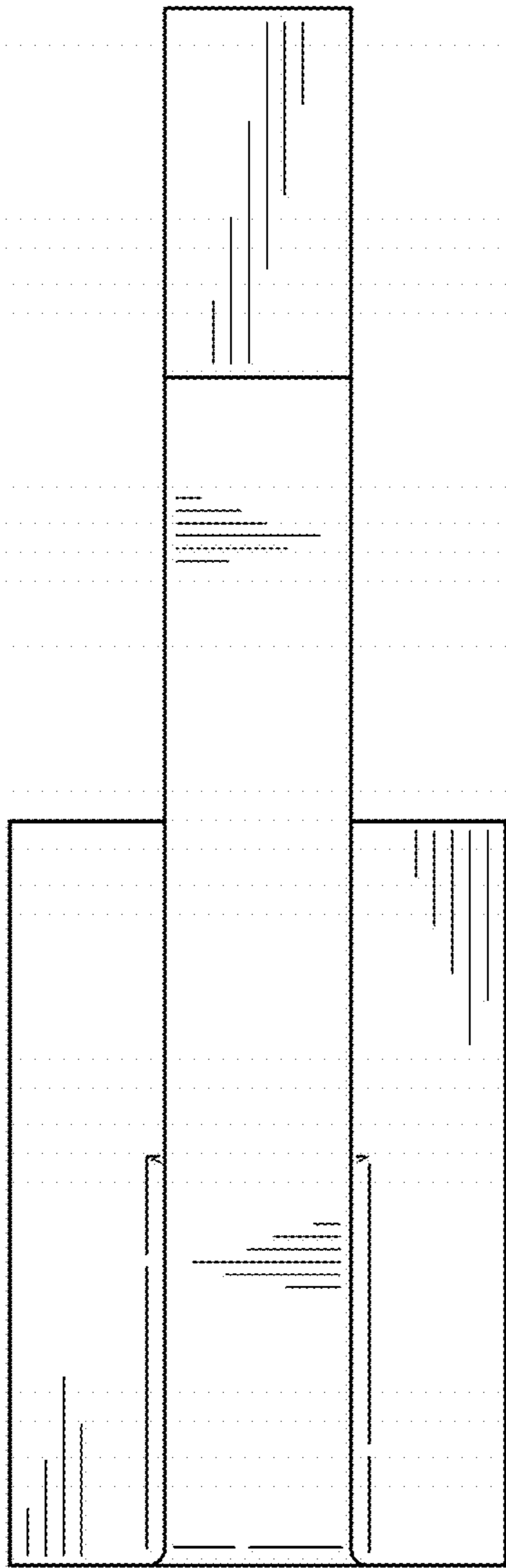


FIG. 5

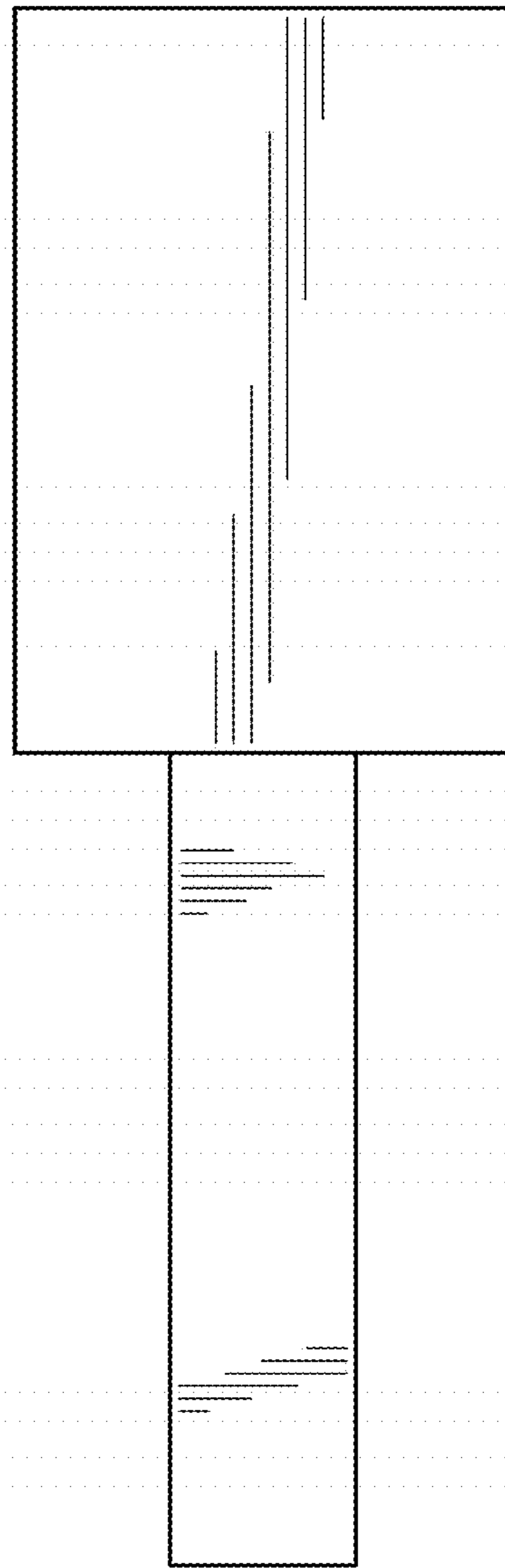


FIG. 6