



US00D776998S

(12) **United States Design Patent**
Ericksen et al.

(10) **Patent No.:** **US D776,998 S**
(45) **Date of Patent:** **** Jan. 24, 2017**

- (54) **CONDUIT REMOVAL TOOL**
- (71) Applicant: **Orbit Irrigation Products, Inc.**, North Salt Lake, UT (US)
- (72) Inventors: **Kent C. Ericksen**, Centerville, UT (US); **Eric Tres Wangsgaard**, Salt Lake City, UT (US); **Stuart Eyring**, Bountiful, UT (US); **Stephanie L. Hunter**, Farmington, UT (US)
- (73) Assignee: **Orbit Irrigation Products, Inc.**, North Salt Lake, UT (US)
- (**) Term: **15 Years**
- (21) Appl. No.: **29/530,873**
- (22) Filed: **Jun. 19, 2015**

Related U.S. Application Data

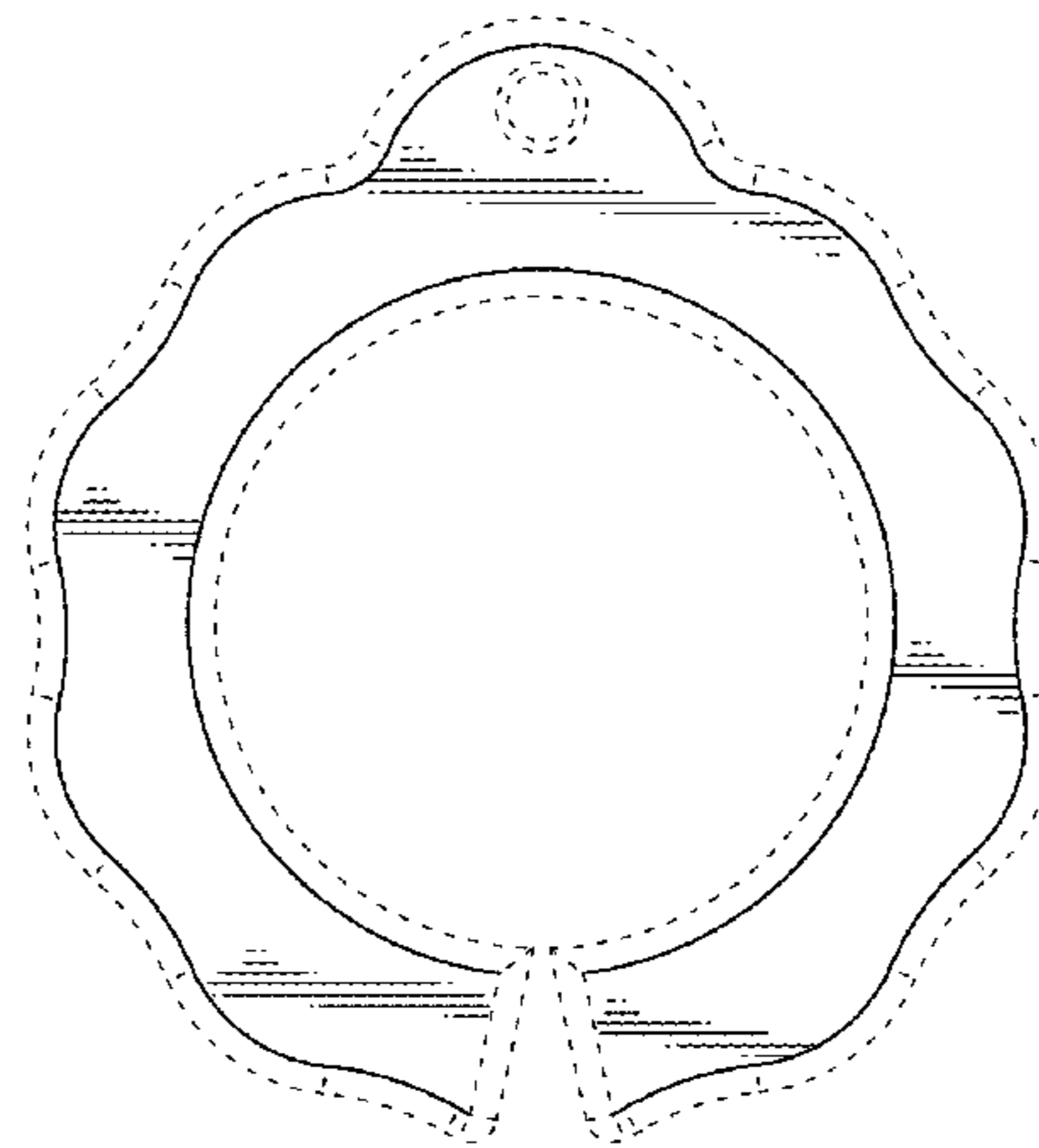
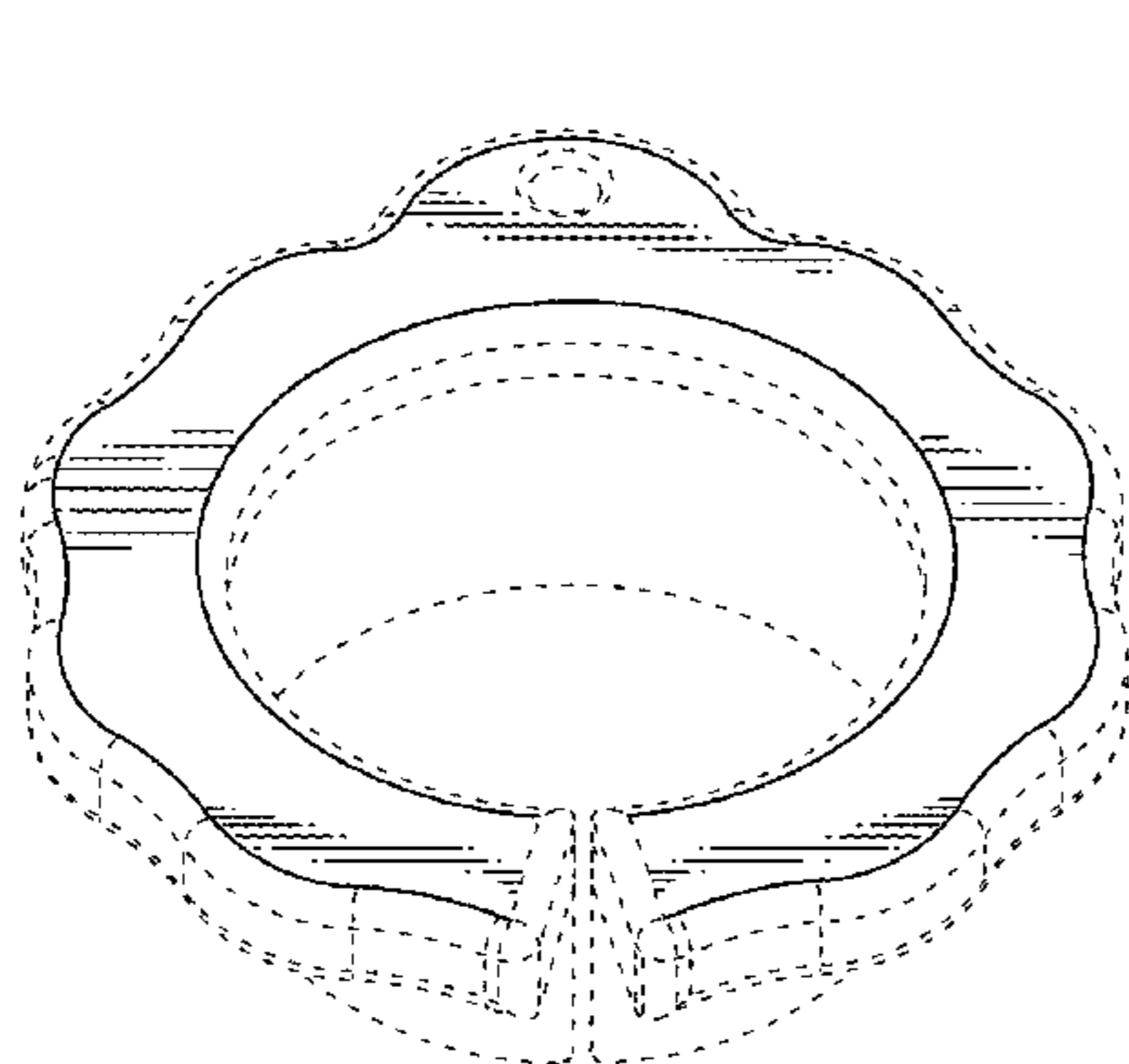
- (63) Continuation of application No. 29/430,121, filed on Aug. 21, 2012, now Pat. No. Des. 732,359.
- (51) **LOC (10) Cl.** **08-05**
- (52) **U.S. Cl.**
USPC **D8/14**
- (58) **Field of Classification Search**
USPC D8/14, 25, 29, 33, 34, 40, 307, 349, 354, D8/397
CPC .. F16L 37/091; F16L 37/0925; F16L 2201/10; F16L 37/0982; Y10S 285/921
See application file for complete search history.

| | | | |
|---------------|---------|---------------------|-------------------------|
| 3,976,314 A | 8/1976 | Graham | |
| 4,005,883 A | 2/1977 | Guest | |
| 4,037,859 A | 7/1977 | Clements | |
| 4,084,843 A * | 4/1978 | Gassert | F16L 37/091 285/105 |
| 4,123,090 A | 10/1978 | Kotsakis et al. | |
| 4,266,814 A | 5/1981 | Gallagher | |
| 4,288,113 A | 9/1981 | Saulnier | |
| D261,854 S * | 11/1981 | Nielsen | D8/40 |
| D272,392 S | 1/1984 | Bigelow | |
| 4,440,424 A | 4/1984 | Mode | |
| D277,160 S | 1/1985 | Antone | |
| D279,352 S | 6/1985 | Mitchell et al. | |
| 4,573,716 A | 3/1986 | Guest | |
| 4,593,943 A | 6/1986 | Hama et al. | |
| 4,606,783 A | 8/1986 | Guest | |
| 4,630,848 A | 12/1986 | Twist et al. | |
| 4,657,286 A | 4/1987 | Guest | |
| 4,712,810 A | 12/1987 | Pozzi | |
| 4,722,558 A | 2/1988 | Badoureaux | |
| 4,747,626 A | 5/1988 | Hama et al. | |
| 4,776,721 A | 10/1988 | Lange | |
| 4,777,669 A | 10/1988 | Rogus | |
| 4,804,213 A | 2/1989 | Guest | |
| 4,834,423 A | 5/1989 | DeLand | |
| 4,895,395 A | 1/1990 | Ceriani | |
| 4,919,457 A | 4/1990 | Moretti | |
| 4,925,217 A | 5/1990 | Ketcham | |
| 4,946,213 A | 8/1990 | Guest | |
| 4,951,975 A | 8/1990 | Bartholomew | |
| 5,005,877 A | 4/1991 | Hayman | |
| 5,069,424 A | 12/1991 | Dennany, Jr. et al. | |
| 5,105,854 A | 4/1992 | Cole et al. | |
| 5,112,085 A * | 5/1992 | Busch | F16L 37/1225 285/305 |
| 5,127,764 A * | 7/1992 | Baer | F16B 21/186 403/316 |
| 5,135,268 A | 8/1992 | McNaughton et al. | |
| 5,152,555 A | 10/1992 | Szabo | |
| 5,160,179 A | 11/1992 | Takagi | |
| 5,171,045 A | 12/1992 | Pasbrig | |
| 5,178,424 A | 1/1993 | Klinger | |
| 5,219,188 A | 6/1993 | Abe et al. | |
| 5,230,539 A | 7/1993 | Olson | |
| 5,292,157 A | 3/1994 | Rubichon | |
| 5,301,408 A | 4/1994 | Berman et al. | |
| D347,567 S | 6/1994 | Duffy | |
| 5,328,215 A | 7/1994 | Grenier | |
| 5,366,262 A | 11/1994 | Couvreur | |
| 5,378,025 A | 1/1995 | Szabo | |
| 5,401,064 A | 3/1995 | Guest | |
| 5,415,825 A | 5/1995 | Sellers | |
| 5,437,483 A | 8/1995 | Umezawa | |

(56) **References Cited**

U.S. PATENT DOCUMENTS

| | | | |
|---------------|---------|------------------|------------------------|
| 991,501 A | 5/1911 | Graves | |
| 1,913,906 A | 6/1933 | Swenson | |
| 1,919,866 A | 7/1933 | Schacht | |
| 2,514,717 A | 7/1950 | Power | |
| 2,709,094 A | 5/1955 | Polanski | |
| 3,051,514 A | 8/1962 | Consolloy et al. | |
| 3,155,402 A | 11/1964 | Cornelius | |
| 3,837,687 A * | 9/1974 | Leonard | F16L 17/035 277/615 |



(56)

References Cited

U.S. PATENT DOCUMENTS

| | | | | |
|--------------|------|---------|-----------------------|-------------------------|
| 5,464,228 | A | 11/1995 | Weber et al. | |
| 5,487,572 | A | 1/1996 | Combot-Courrau et al. | |
| 5,496,073 | A | 3/1996 | Grenier | |
| 5,518,276 | A | 5/1996 | Gunderson | |
| D370,604 | S | 6/1996 | Donabedian et al. | |
| 5,533,761 | A | 7/1996 | Ostrander et al. | |
| D373,069 | S | 8/1996 | McCarthy | |
| 5,551,732 | A | 9/1996 | Bartholomew | |
| 5,551,735 | A | 9/1996 | Takayanagi et al. | |
| 5,570,910 | A | 11/1996 | Highlen | |
| 5,655,796 | A | 8/1997 | Bartholomew | |
| 5,692,784 | A | 12/1997 | Hama et al. | |
| 5,695,224 | A | 12/1997 | Grenier | |
| 5,722,696 | A | 3/1998 | Taney | |
| 5,727,821 | A | 3/1998 | Miller | |
| 5,775,738 | A | 7/1998 | Bartholomew | |
| 5,794,984 | A | 8/1998 | Bartholomew | |
| 5,911,443 | A | 6/1999 | Le Quere | |
| 5,934,709 | A | 8/1999 | Morrison | |
| 5,943,709 | A | 8/1999 | Chiu | |
| 5,989,240 | A | 11/1999 | Strowe | |
| 6,010,160 | A | 1/2000 | Bartholomew | |
| 6,062,607 | A | 5/2000 | Bartholomew | |
| 6,142,538 | A | 11/2000 | Volgstadt et al. | |
| 6,145,887 | A | 11/2000 | Cambot-Courrau | |
| 6,170,886 | B1 | 1/2001 | Bartholomew | |
| 6,174,002 | B1 | 1/2001 | Rho | |
| 6,183,020 | B1 | 2/2001 | Luft | |
| 6,183,022 | B1 | 2/2001 | Guest | |
| 6,312,020 | B1 | 11/2001 | Ketcham et al. | |
| 6,464,266 | B1 | 10/2002 | O'Neill et al. | |
| 6,550,815 | B2 | 4/2003 | Zitkowic, Jr. et al. | |
| 6,557,899 | B2 | 5/2003 | Martin-Cocher et al. | |
| 6,749,231 | B2 | 6/2004 | LeMay et al. | |
| D508,333 | S | 8/2005 | Cathey | |
| 7,021,672 | B2 | 4/2006 | Ericksen et al. | |
| 7,195,287 | B2 | 3/2007 | Wai | |
| 7,267,031 | B1 * | 9/2007 | Burton | B67B 7/18 81/3.09 |
| 7,273,235 | B2 * | 9/2007 | Coquard | F16L 37/0915 285/308 |
| 7,445,247 | B2 | 11/2008 | Ericksen et al. | |
| D594,718 | S * | 6/2009 | Duffy | D8/14 |
| 7,810,850 | B2 | 10/2010 | O'Neill et al. | |
| D690,581 | S | 10/2013 | Brander | |
| 8,801,045 | B2 * | 8/2014 | Muto | F16L 37/0915 285/322 |
| D732,359 | S | 6/2015 | Ericksen et al. | |
| D755,596 | S * | 5/2016 | Ranftl | D8/40 |
| 2006/0108802 | A1 | 5/2006 | Baumgartner | |
| 2007/0138791 | A1 | 6/2007 | Greenberger | |
| 2008/0309079 | A1 | 12/2008 | Pedersen et al. | |
| 2009/0160178 | A1 | 6/2009 | Ericksen et al. | |
| 2009/0160179 | A1 | 6/2009 | Ericksen et al. | |
| 2011/0011218 | A1 | 1/2011 | Hsieh | |
| 2011/0304137 | A1 | 12/2011 | Ericksen et al. | |
| 2012/0248764 | A1 | 10/2012 | Ericksen et al. | |
| 2014/0001743 | A1 | 1/2014 | Keren | |

FOREIGN PATENT DOCUMENTS

| | | | |
|----|------------|----|---------|
| EP | 0226553 | A1 | 6/1987 |
| EP | 0 240 452 | A1 | 7/1987 |
| EP | 0255368 | A1 | 2/1988 |
| EP | 0738851 | A1 | 10/1996 |
| EP | 0745801 | A1 | 12/1996 |
| FR | 1382077 | A | 12/1964 |
| GB | 2109885 | A | 6/1983 |
| WO | 2012162554 | | 11/2012 |

OTHER PUBLICATIONS

U.S. Appl. No. 13/911,068, filed Jun. 5, 2013, Kent C. Ericksen et al.

U.S. Appl. No. 13/479,515, filed May 24, 2012, Kent C. Ericksen et al.
 U.S. Appl. No. 13/216,101, filed Aug. 23, 2011, Kent C. Ericksen et al.
 U.S. Appl. No. 61/655,954, filed Jun. 5, 2012, Kent C. Ericksen et al.
 NIBCO Inc., Truconnect, A trade show product sheet distributed on or before Nov. 19, 2003.
 NIBCO Inc., Truconnect, A web page retrieved on Nov. 21, 2011, published on or before Nov. 21, 2003, URL: <http://www.nibco.com/newproducts/TruConnect.shtml>.
 Office Action, U.S. Appl. No. 10/678,013, Mailed on Sep. 17, 2004.
 Office Action, U.S. Appl. No. 10/678,013, Mailed on Feb. 9, 2005.
 Office Action, U.S. Appl. No. 10/678,013 Mailed on May 26, 2005.
 Office Action, U.S. Appl. No. 11/124,217 Mailed on Jul. 10, 2007.
 Office Action, U.S. Appl. No. 11/124,217 Mailed on Feb. 11, 2008.
 Office Action, U.S. Appl. No. 12/263,602 Mailed on Jul. 19, 2010.
 Office Action, U.S. Appl. No. 12/263,567 Mailed on Aug. 3, 2011.
 Examiner-Initiated Interview Summary, U.S. Appl. No. 11/124,217, Mailed on Sep. 5, 2008.
 Notice of Allowance and Fee(s) Due, U.S. Appl. No. 11/124,217, Mailed on Sep. 5, 2008.
 Detailed Action of Notice of Allowance and Fee(s) Due, U.S. Appl. No. 11/124,217, Mailed on Sep. 5, 2008.
 International Search Report, PCT App. No. PCT/US2003/034542, Mailed on Sep. 21, 2006.
 Supplemental European Search Report, European Patent App. No. EP 03 78 1541 Mailed on Feb. 15, 2010.
 Office Action, European Patent App. No. EP 03 78 1541.2, Mailed on Apr. 26, 2011.
 Notification of Transmittal of the International Search Report and the Written Opinion of the International Searching Authority, or the Declaration, International Patent PCT App. No. PCT/US2012/039457, Mailed on Aug. 31, 2012.
 International Search Report, International Patent PCT App. No. PCT/US2012/039457, Mailed on Aug. 31, 2012.
 Written Opinion of the International Searching Authority, International Patent PCT App. No. PCT/US2012/039457, Mailed on Aug. 31, 2012.
 Cash Acme, SharkBite Water Heater Installation Kit, Installation Guide, Published at least by Sep. 3, 2004.
 Cash Acme, SharkBite Water Heater Installation Kit, Installation Guide, Issue Date of Aug. 2004.
 Cash Acme, SharkBite Push-Fit Fittings, Web page retrieved on Aug. 12, 2004, Published at least by Aug. 12, 2004, URL: <http://www.cashacme.com/sharkbite.html>.
 Cash Acme, SharkBite Push-Fit Fittings, Installation Guide, Issue Date of May 2009.
 European Search Report, European Patent App. No. EP 87 63 0045, Mailed on Jul. 8, 1987.
 Notice of Allowance and Fees(s) Due (including a Notice of Allowability for a Design Patent Application comprising a restriction requirement), U.S. Appl. No. 29/430,121, Mailed on Jul. 29, 2015.
 Continued Prosecution Application, U.S. Appl. No. 29/430,121, Dated Oct. 29, 2014.
 Preliminary Amendment, U.S. Appl. No. 29/430,121, Dated Oct. 29, 2014.
 Notice of Allowance and Fees(s) Due (including the Examiner's Comment), U.S. Appl. No. 29/430,121, Mailed on Feb. 17, 2015.

* cited by examiner

Primary Examiner — George D Kirschbaum
 Assistant Examiner — Jennifer Watkins
 (74) Attorney, Agent, or Firm — Austin Rapp & Hardman

(57) CLAIM

The ornamental design for a conduit removal tool, as shown and described.

DESCRIPTION

FIG. 1 is a first perspective view of one embodiment of the conduit removal tool according to our new design;

FIG. 2 is a second perspective view of the embodiment of the conduit removal tool shown in FIG. 1;

FIG. 3 is a rear view of the embodiment of the conduit removal tool shown in FIG. 1;

FIG. 4 is a top view of the embodiment of the conduit removal tool shown in FIG. 1;

FIG. 5 is a front view of the embodiment of the conduit removal tool shown in FIG. 1;

FIG. 6 is a first side view of the embodiment of the conduit removal tool shown in FIG. 1;

FIG. 7 is a second side view of the embodiment of the conduit removal tool shown in FIG. 1;

FIG. 8 is a bottom side view of the embodiment of the conduit removal tool shown in FIG. 1;

FIG. 9 is an enlarged view of the area identified by the reference numeral 9 in FIG. 5;

FIG. 10 is a first perspective view of another embodiment of the conduit removal tool according to our new design;

FIG. 11 is a second perspective view of the embodiment of the conduit removal tool shown in FIG. 10;

FIG. 12 is a rear view of the embodiment of the conduit removal tool shown in FIG. 10;

FIG. 13 is a top view of the embodiment of the conduit removal tool shown in FIG. 10;

FIG. 14 is a front view of the embodiment of the conduit removal tool shown in FIG. 10;

FIG. 15 is a first side view of the embodiment of the conduit removal tool shown in FIG. 10;

FIG. 16 is a second side view of the embodiment of the conduit removal tool shown in FIG. 10;

FIG. 17 is a bottom side view of the embodiment of the conduit removal tool shown in FIG. 10; and,

FIG. 18 is an enlarged view the area identified by reference numeral 18 in FIG. 14.

The portions of the conduit removal tool shown in broken lines form no part of the claimed design.

1 Claim, 6 Drawing Sheets

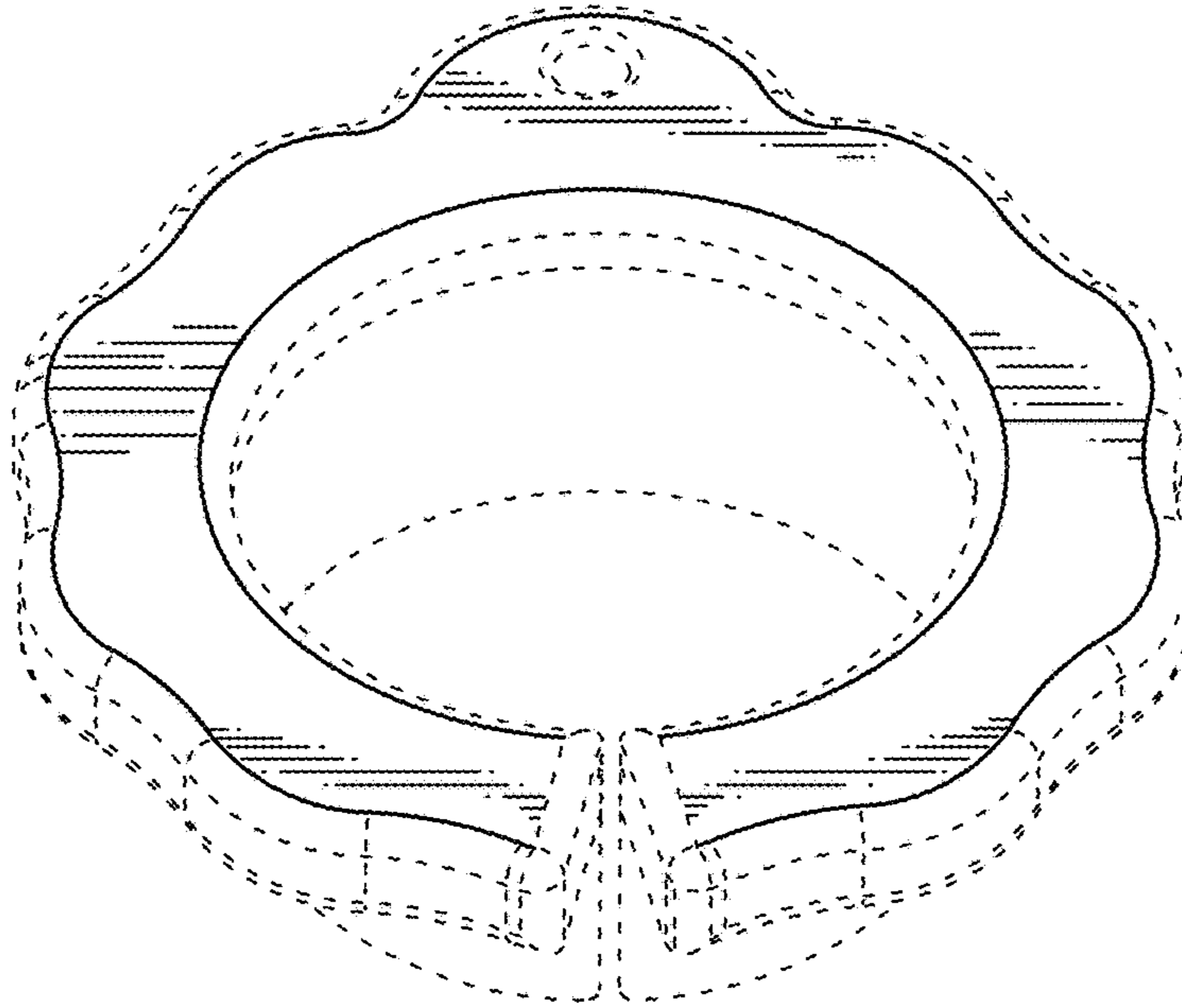


FIG. 1

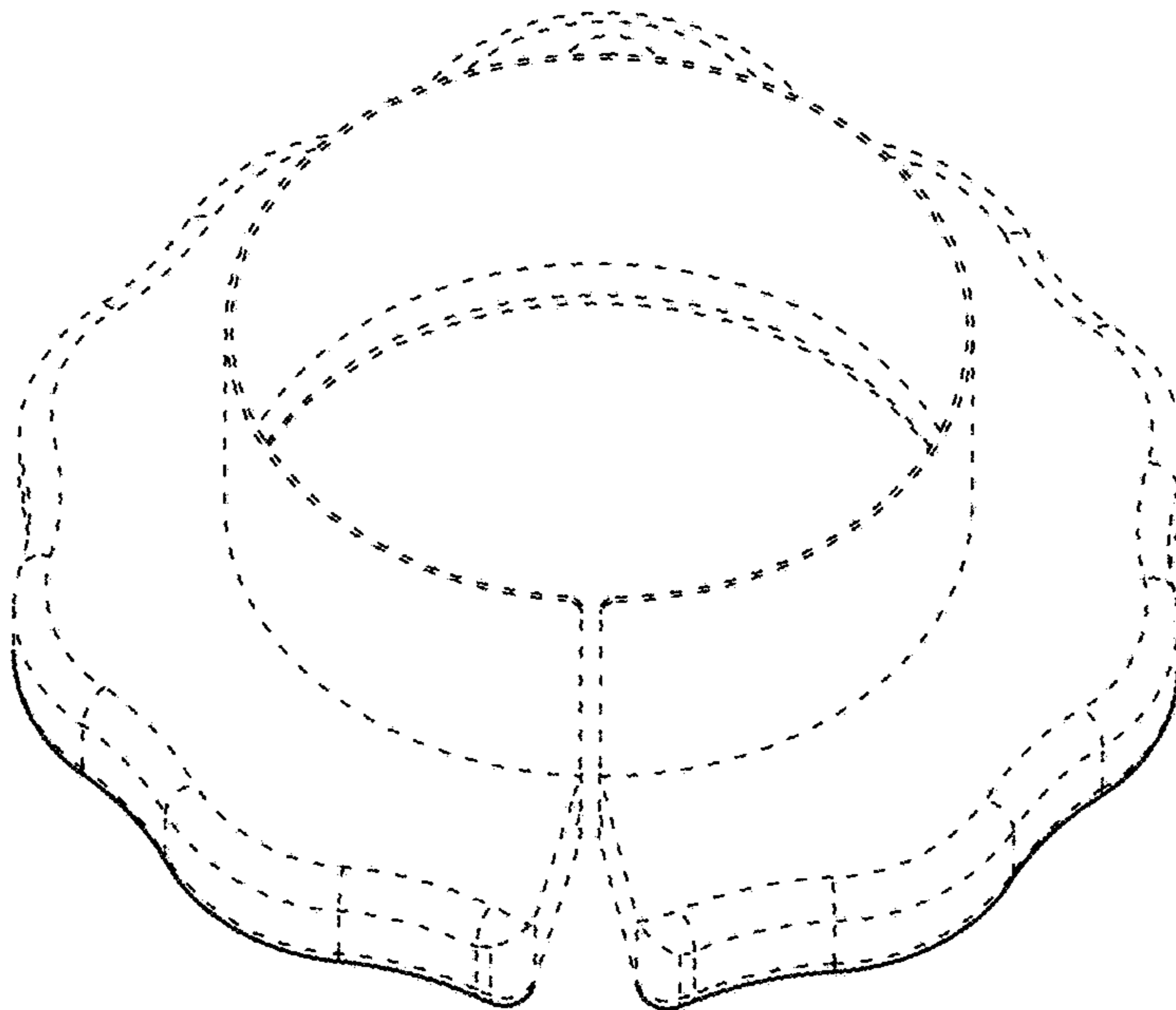


FIG. 2

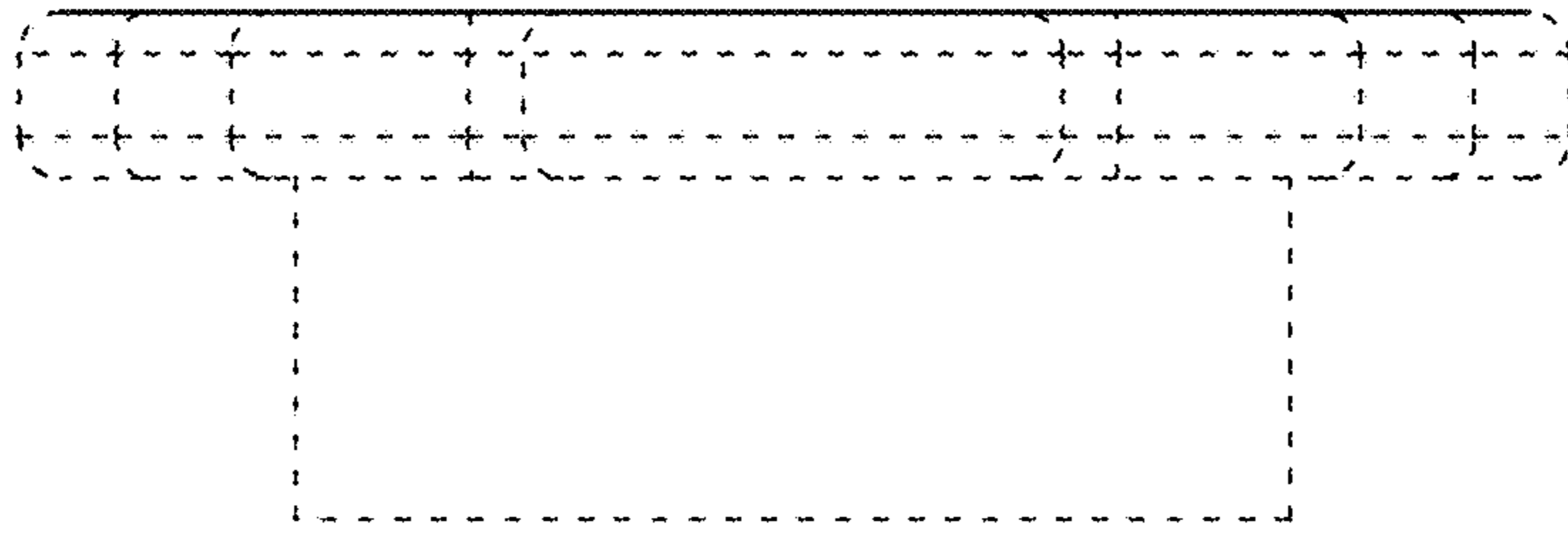


FIG. 3

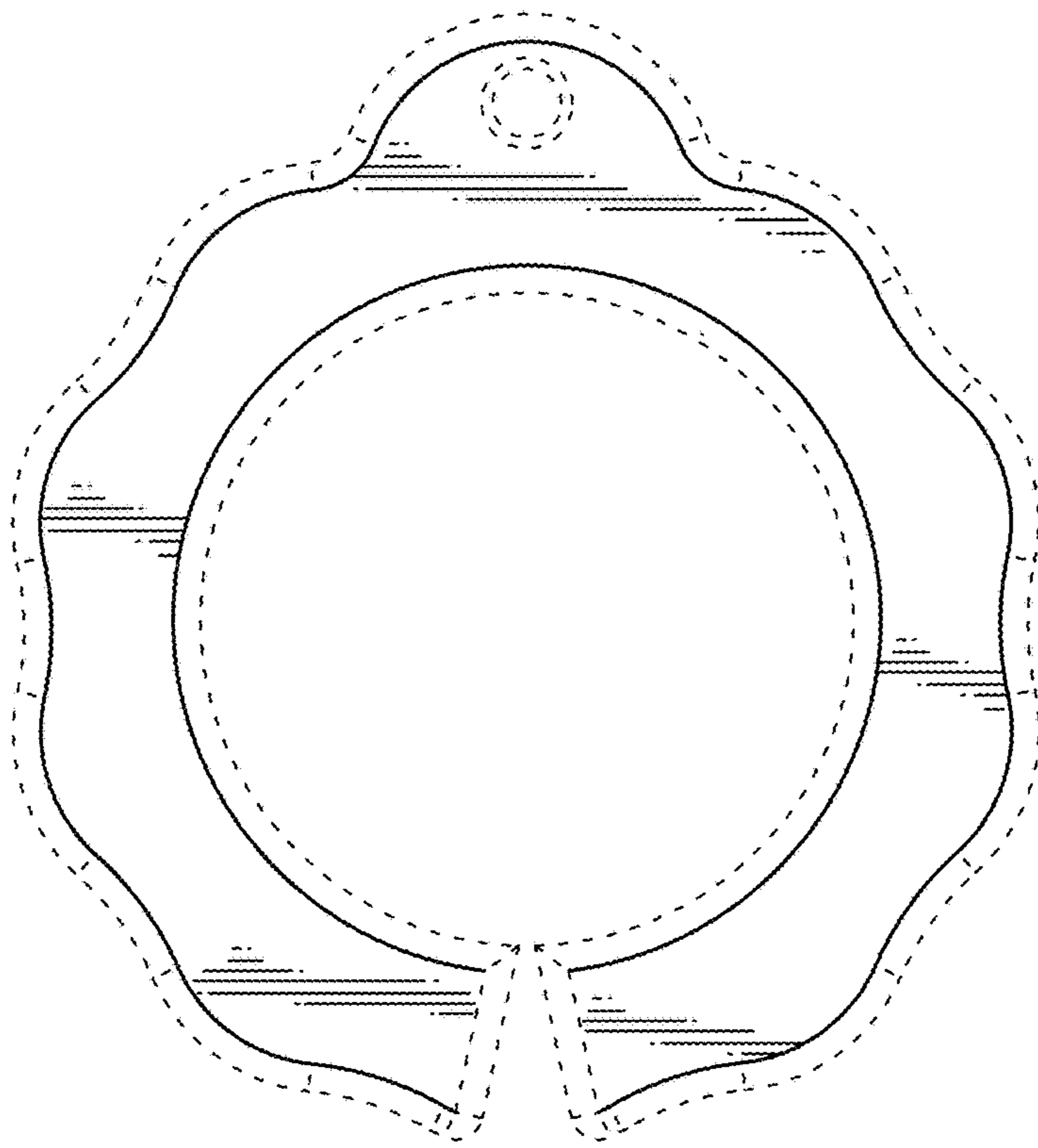


FIG. 4

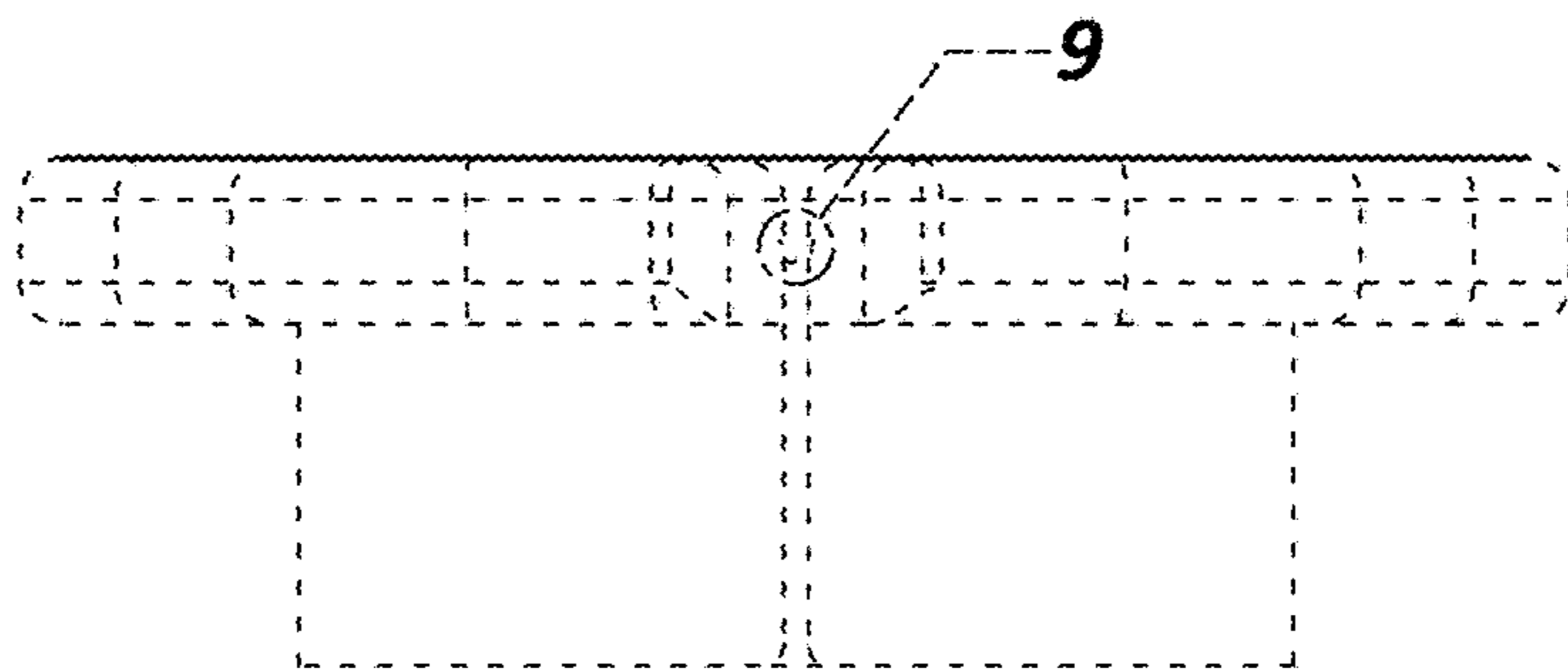


FIG. 5

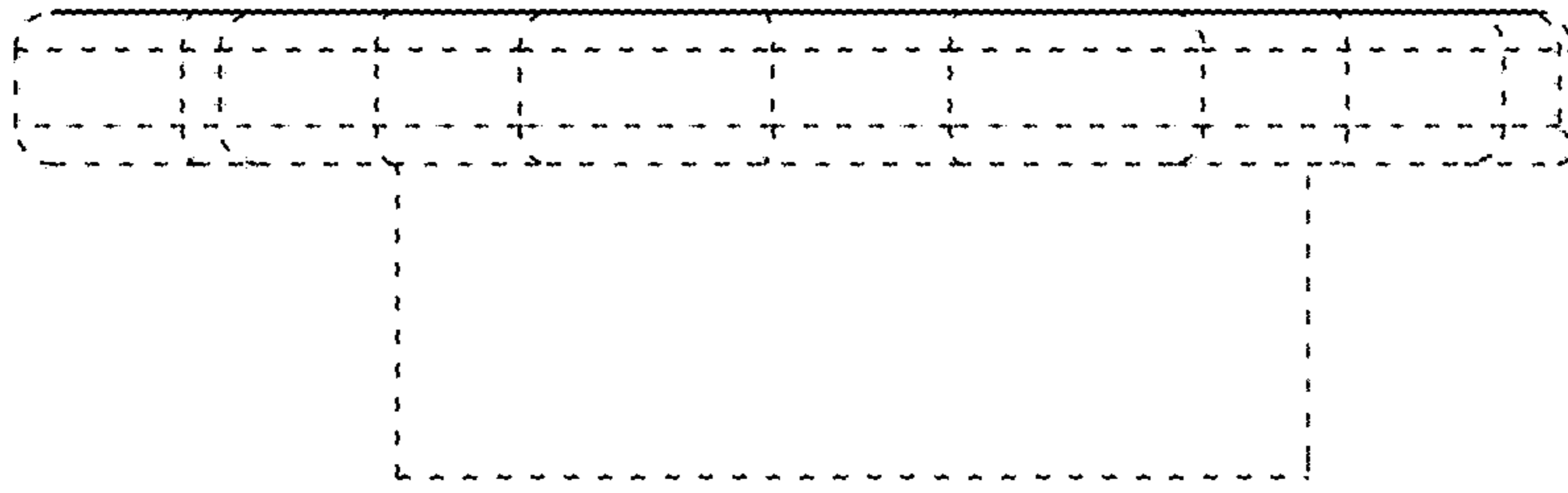


FIG. 6

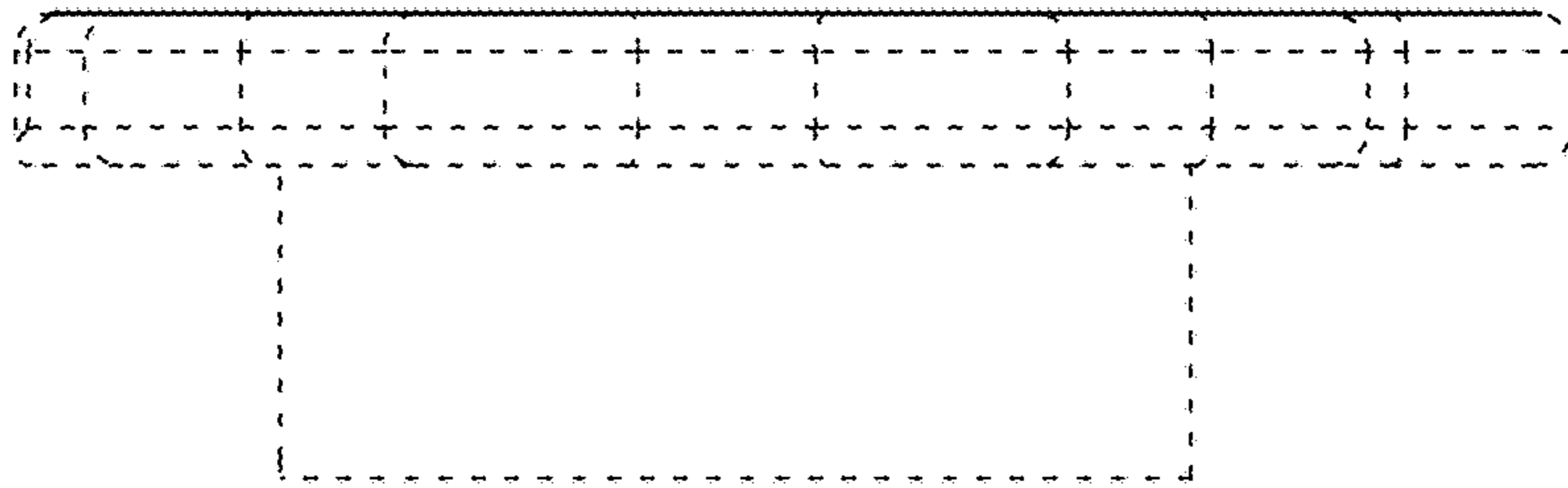


FIG. 7

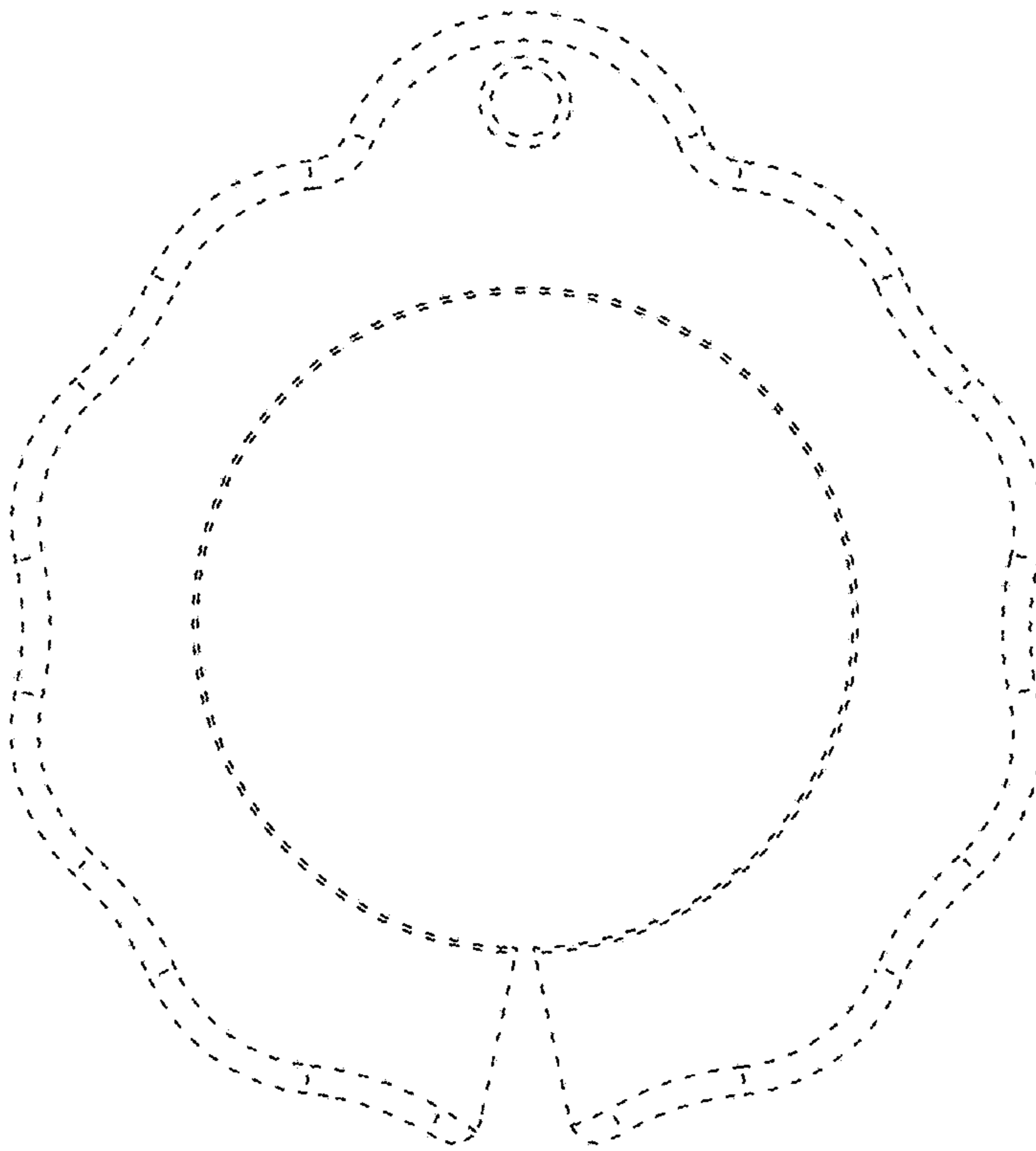


FIG. 8

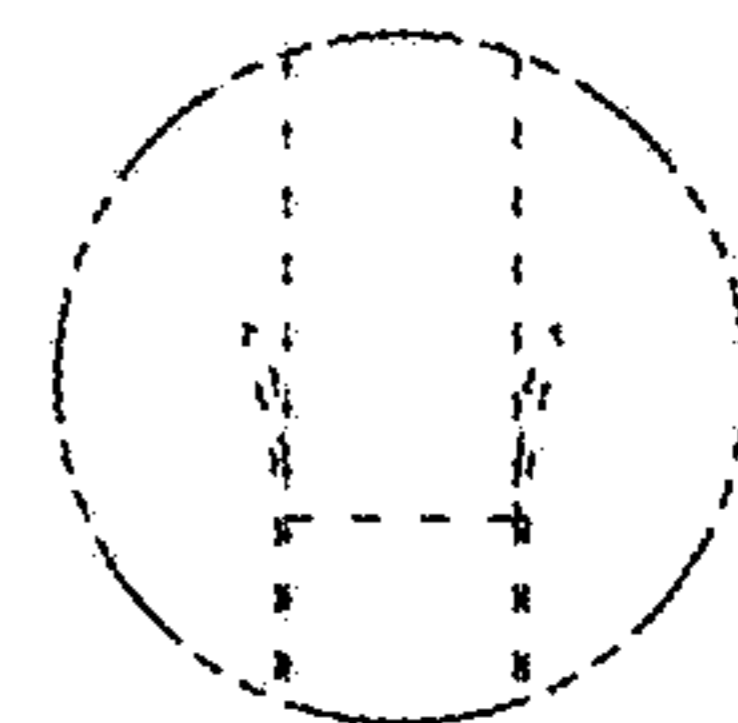


FIG. 9

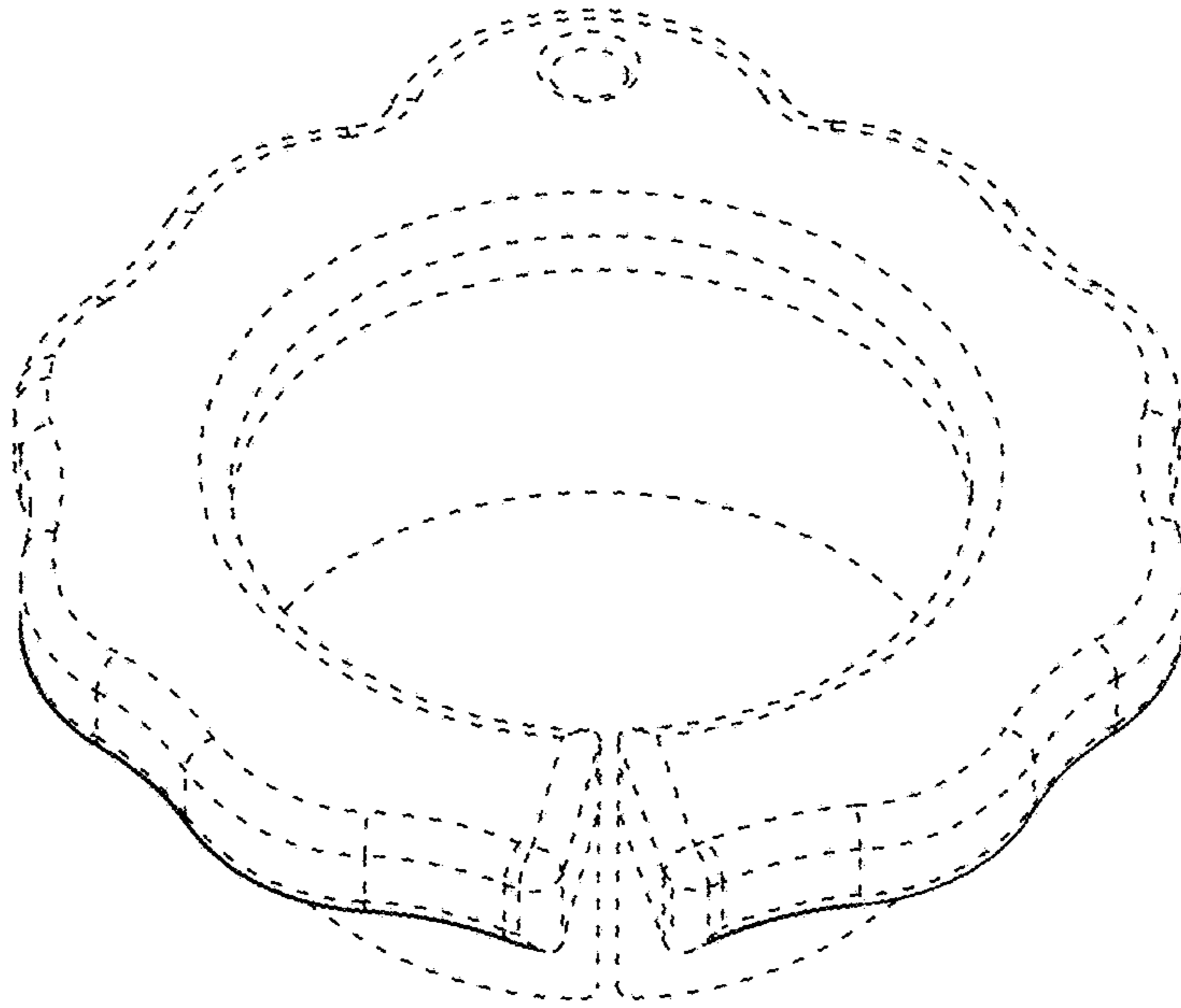


FIG. 10

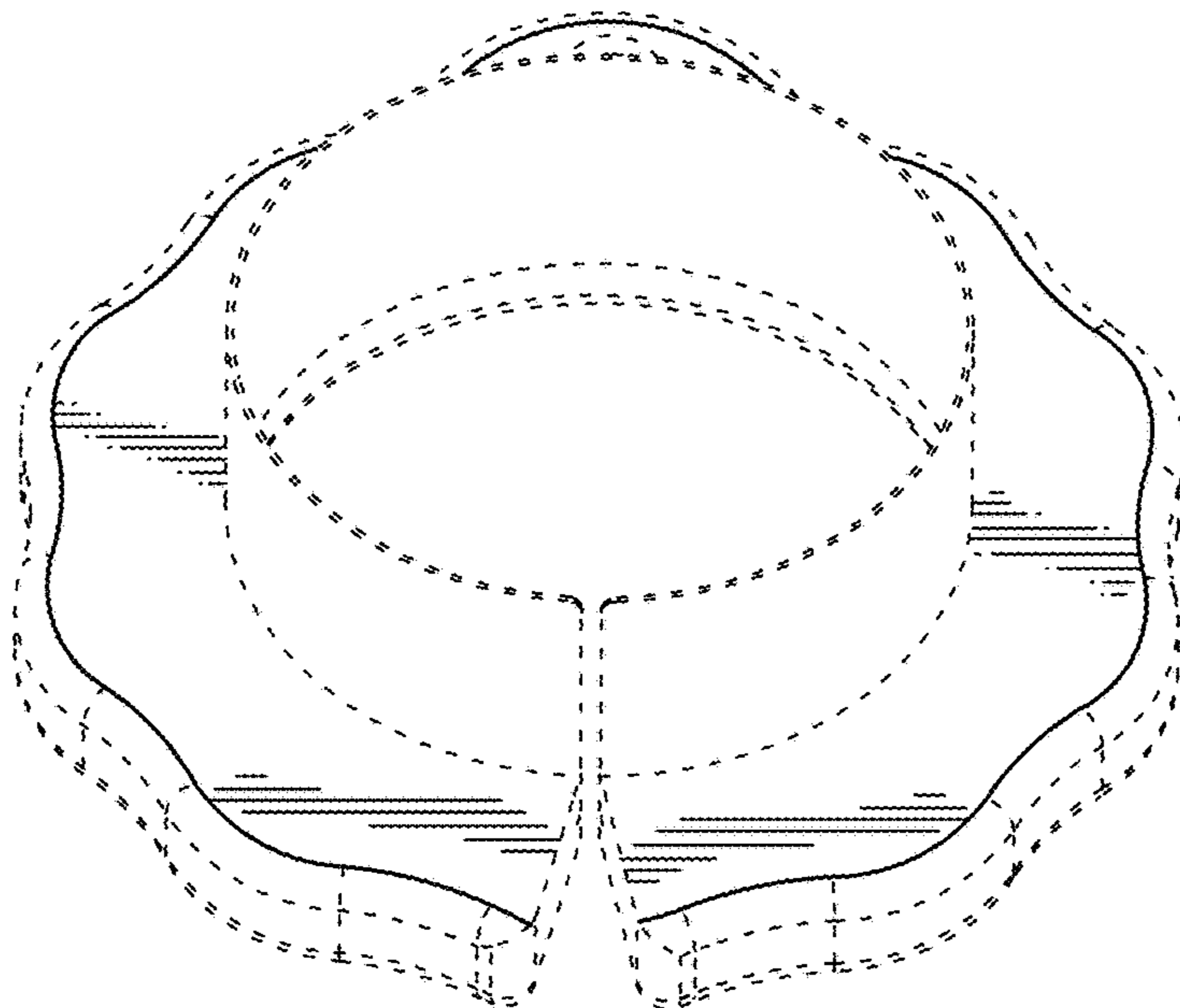


FIG. 11

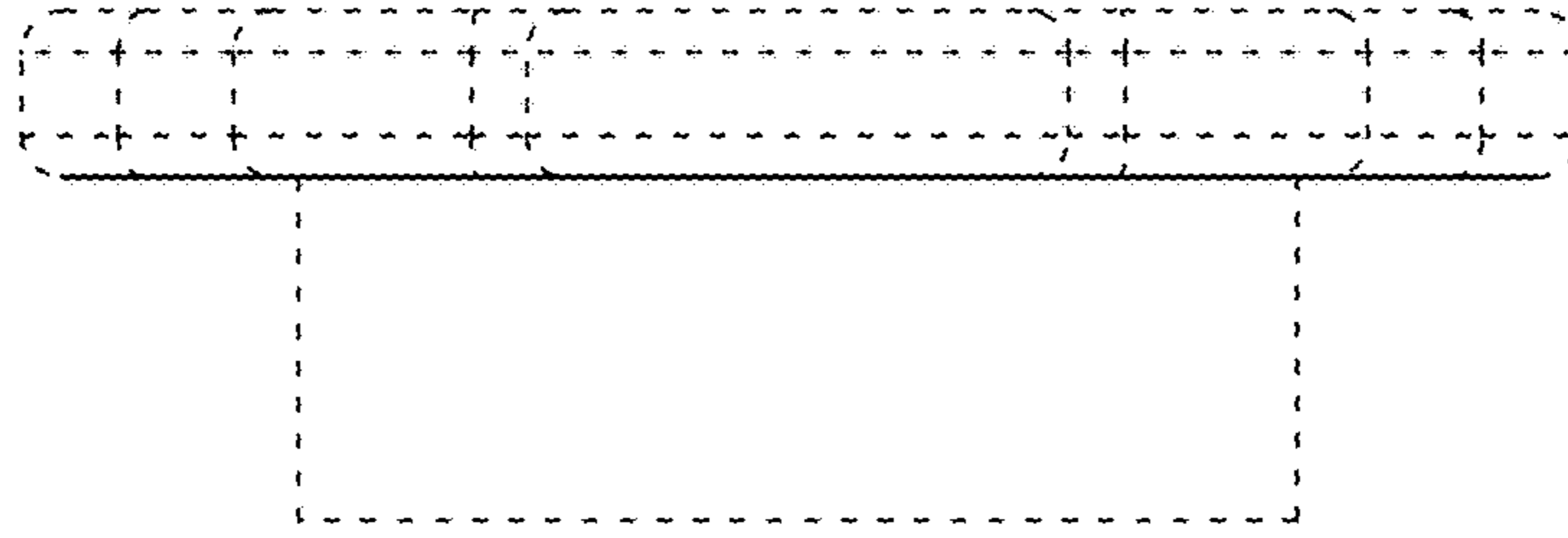


FIG. 12

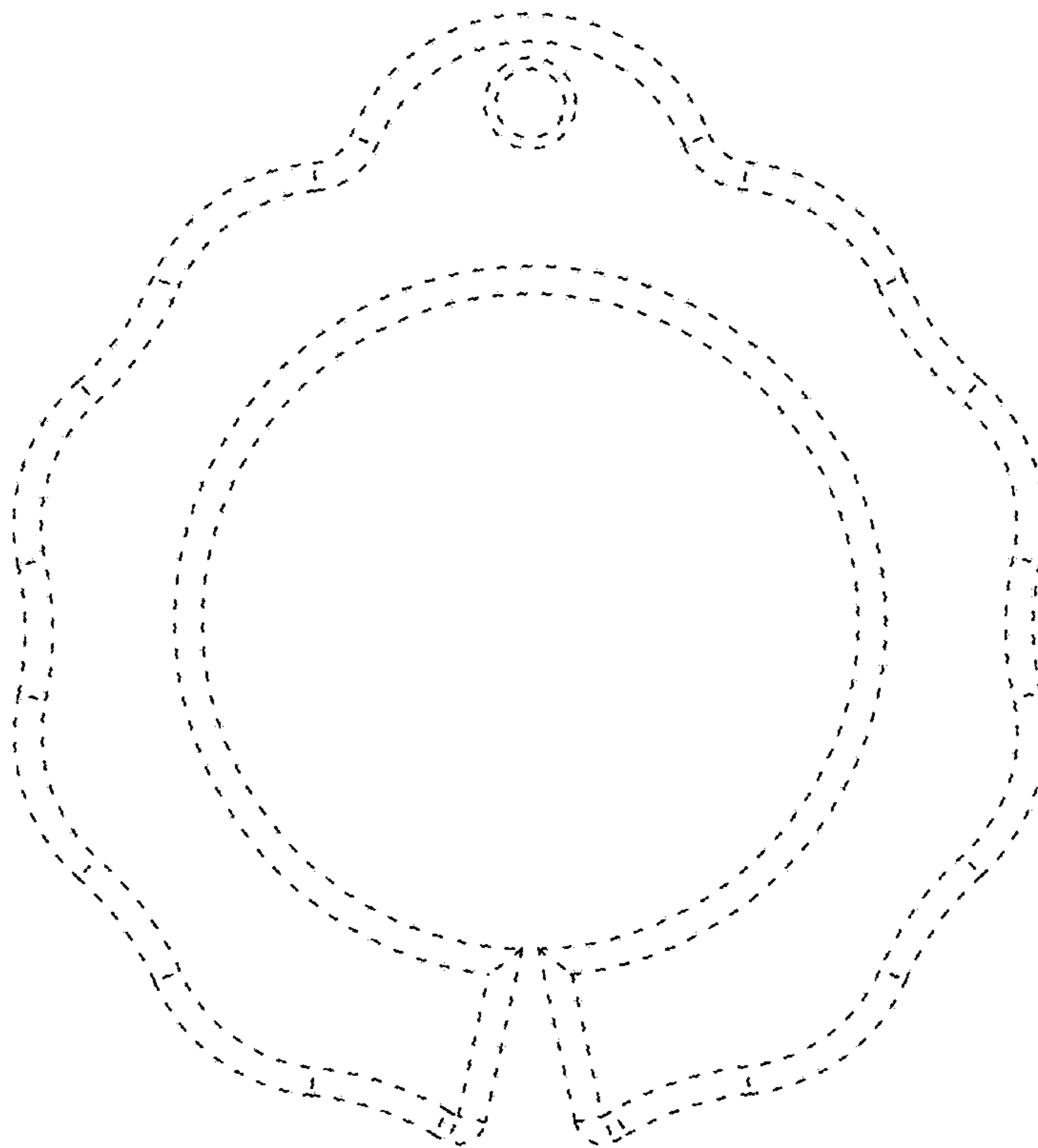


FIG. 13

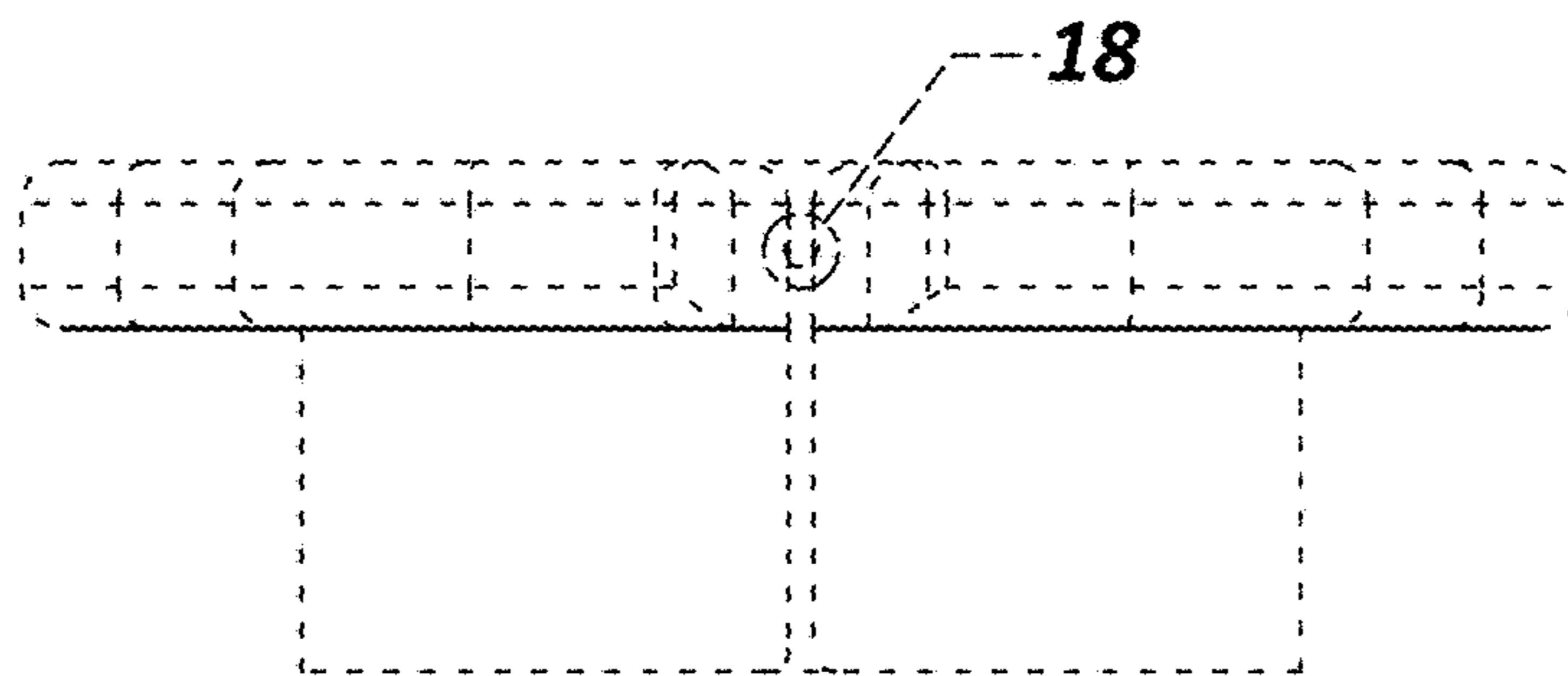


FIG. 14

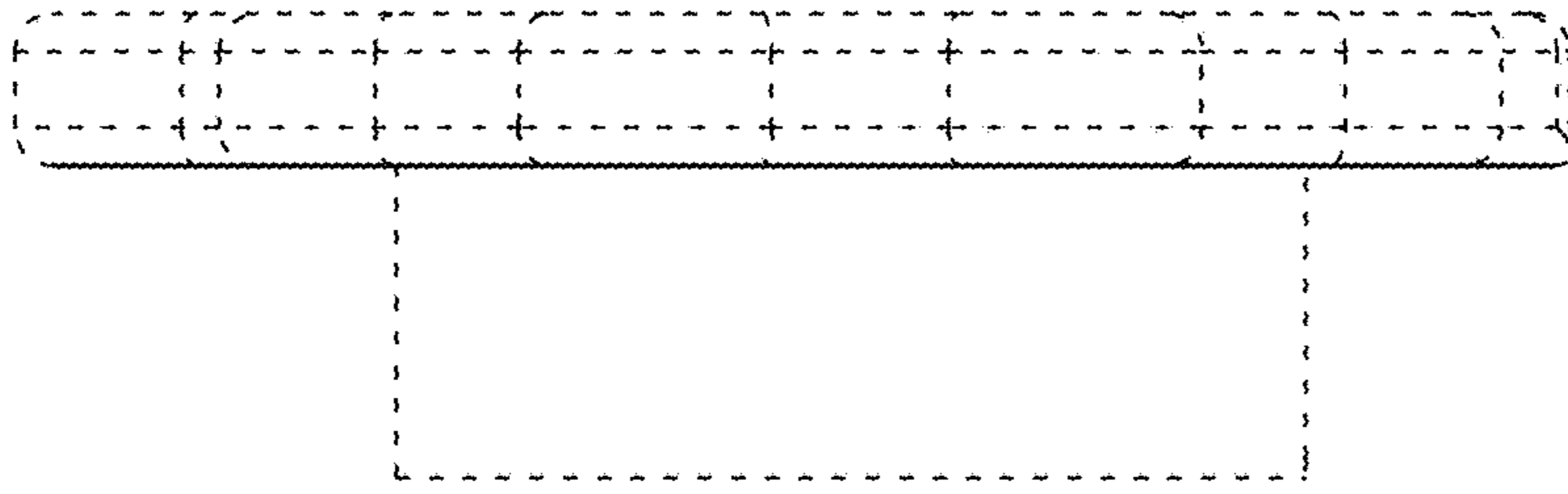


FIG. 15

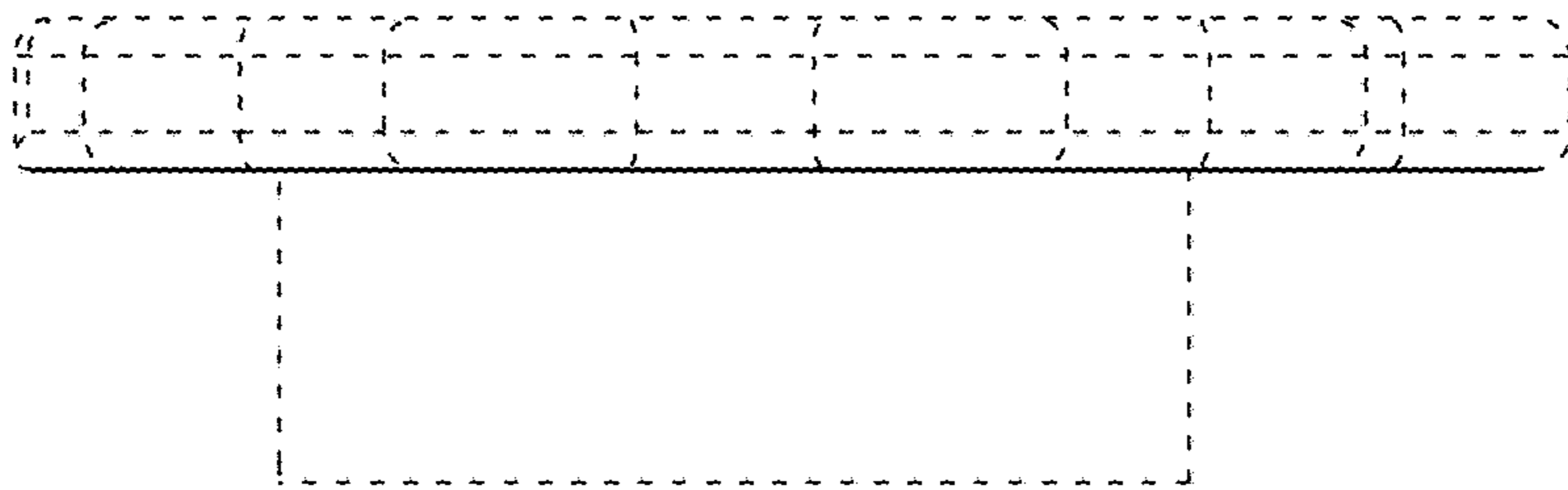


FIG. 16

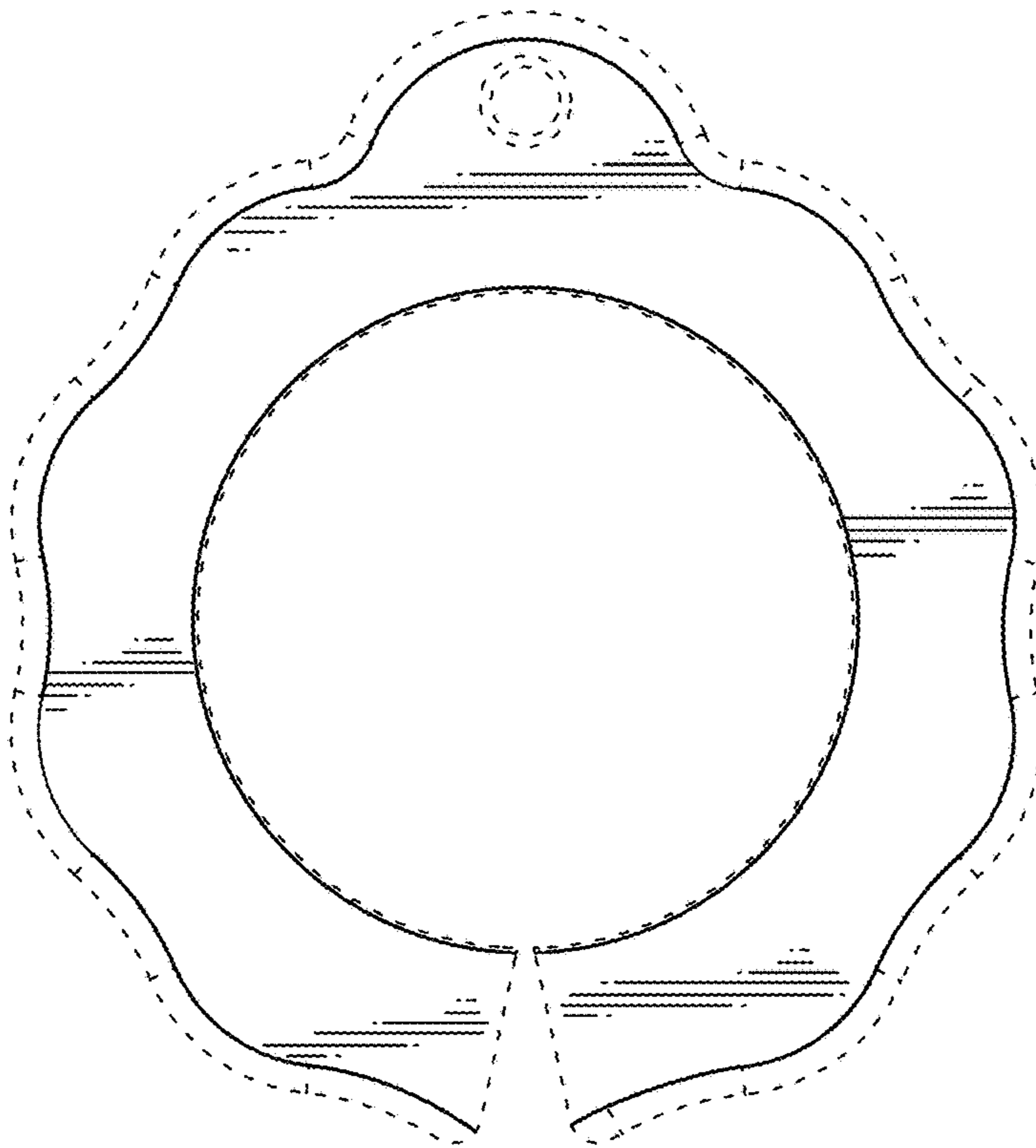


FIG. 17

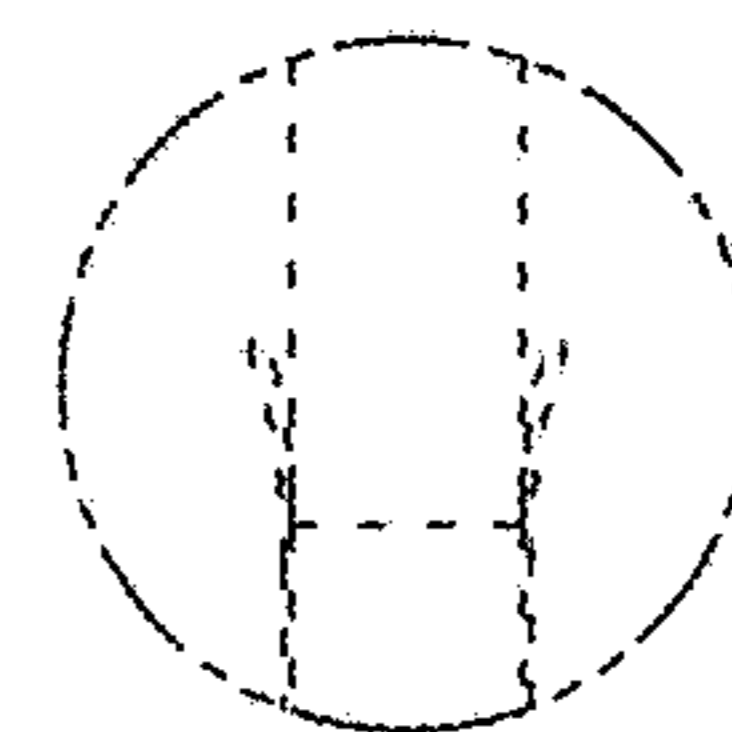


FIG. 18