



US00D776996S

(12) **United States Design Patent**
Schoch

(10) **Patent No.:** **US D776,996 S**
(45) **Date of Patent:** **** Jan. 24, 2017**

(54) **STRING TRIMMER**

(71) Applicant: **BLACK & DECKER INC.**, Newark,
DE (US)

(72) Inventor: **Robert B. Schoch**, Baltimore, MD
(US)

(73) Assignee: **BLACK & DECKER INC.**, New
Britain, CT (US)

(**) Term: **14 Years**

(21) Appl. No.: **29/514,715**

(22) Filed: **Jan. 15, 2015**

(51) **LOC (10) Cl.** **08-01**

(52) **U.S. Cl.**
USPC **D8/8**

(58) **Field of Classification Search**
USPC D8/1, 7, 8, 9, 499; D15/1, 17
CPC .. A01D 34/01; A01D 34/416; A01D 34/4161;
A01D 34/84; A01D 34/90; A01G
3/06; A01G 3/062; A01G 3/067; B25F
5/02; B27B 17/00; B27B 17/08; B27B
17/0008; Y10T 83/9324
See application file for complete search history.

(56) **References Cited**

U.S. PATENT DOCUMENTS

D326,270 S * 5/1992 Wada D8/8
D355,198 S * 2/1995 Kikuchi D15/1
D355,818 S * 2/1995 Nakadachi D8/8

D360,341 S * 7/1995 Hirooka D8/8
D474,947 S * 5/2003 Holmdahl D8/8
D482,942 S * 12/2003 Ohi D8/8
D588,423 S * 3/2009 Tinius D8/1
D600,516 S * 9/2009 Tinius D8/8
D625,159 S * 10/2010 Tinius D8/8
D625,160 S * 10/2010 Misaki D8/8
D709,743 S * 7/2014 Tinius D8/8
2004/0060274 A1* 4/2004 Thomas A01D 34/90
56/12.7
2008/0189958 A1* 8/2008 Hurley A01D 34/902
30/286
2012/0227270 A1* 9/2012 Ito A01D 34/4167
30/286

* cited by examiner

Primary Examiner — Sandra Snapp

Assistant Examiner — Ieisha Price

(74) *Attorney, Agent, or Firm* — John Yun

(57) **CLAIM**

The ornamental design for a string trimmer, as shown and described.

DESCRIPTION

FIG. 1 is a perspective view of a string trimmer showing my new design;

FIG. 2 is a front view thereof

FIG. 3 is a rear view thereof;

FIG. 4 is a left side view thereof;

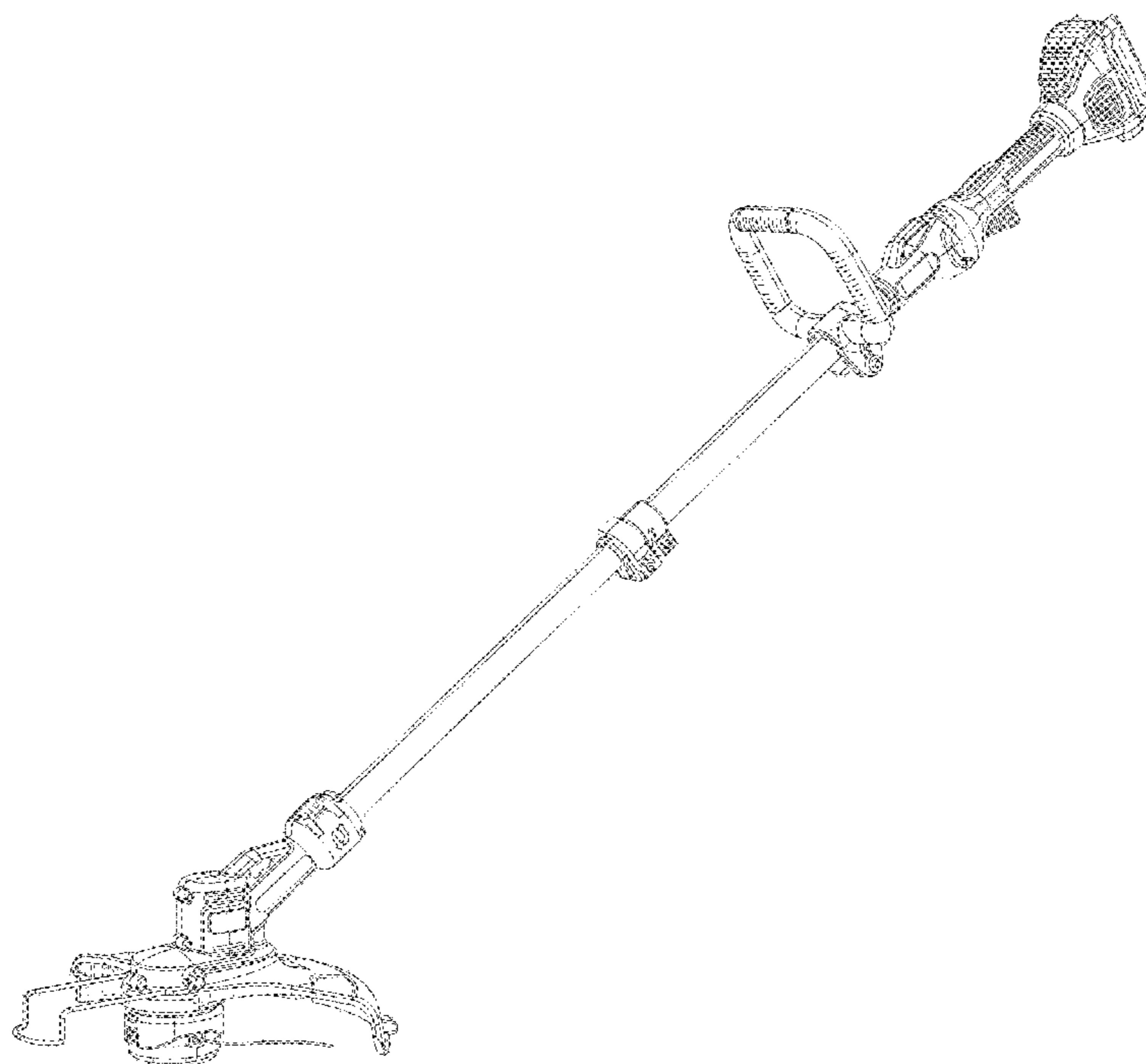
FIG. 5 is a right side view thereof;

FIG. 6 is a top plan view thereof; and,

FIG. 7 is a bottom plan view thereof.

The broken lines in the drawings illustrate portions of the string trimmer and form no part of the claimed design.

1 Claim, 7 Drawing Sheets



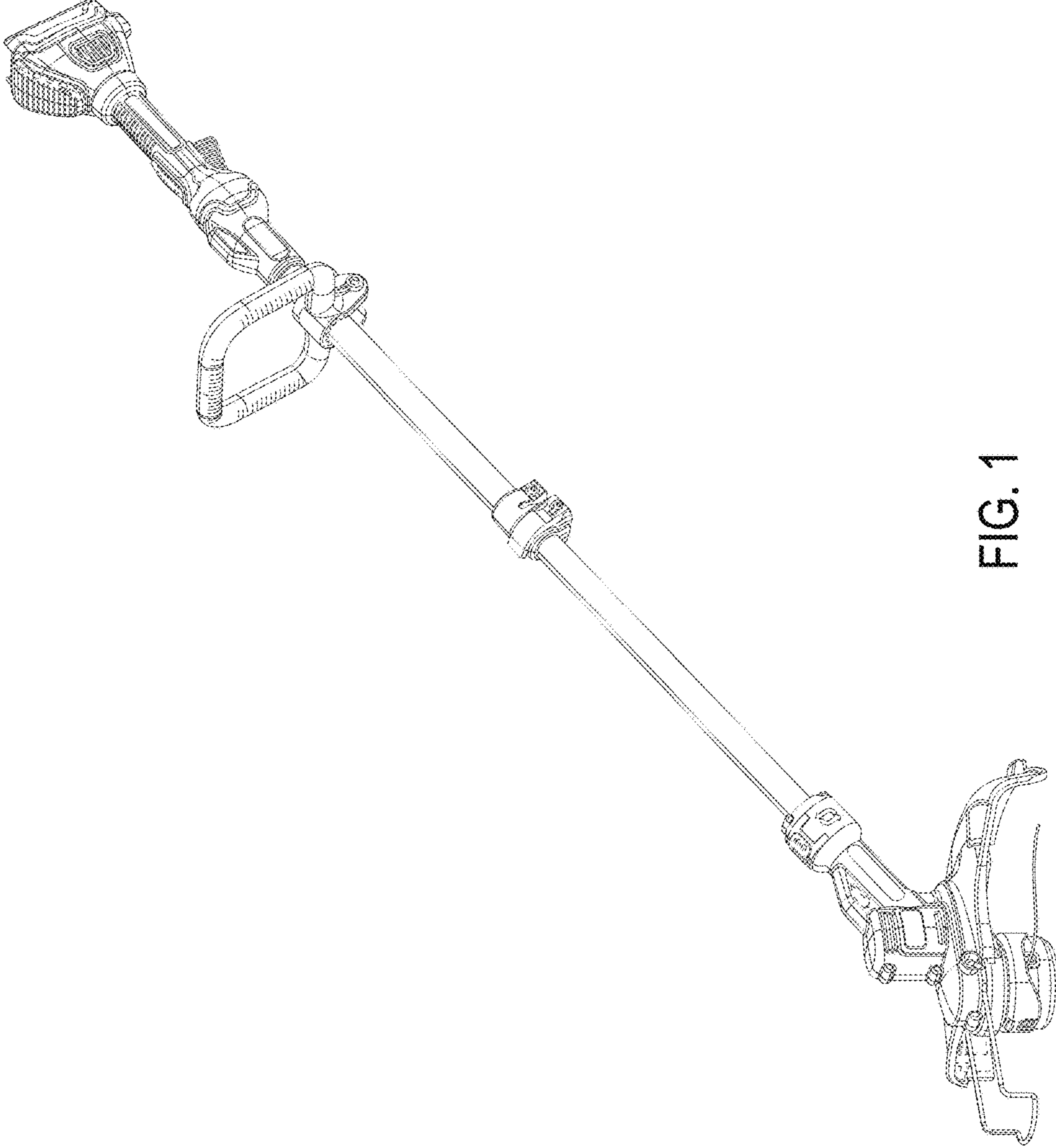


FIG. 1

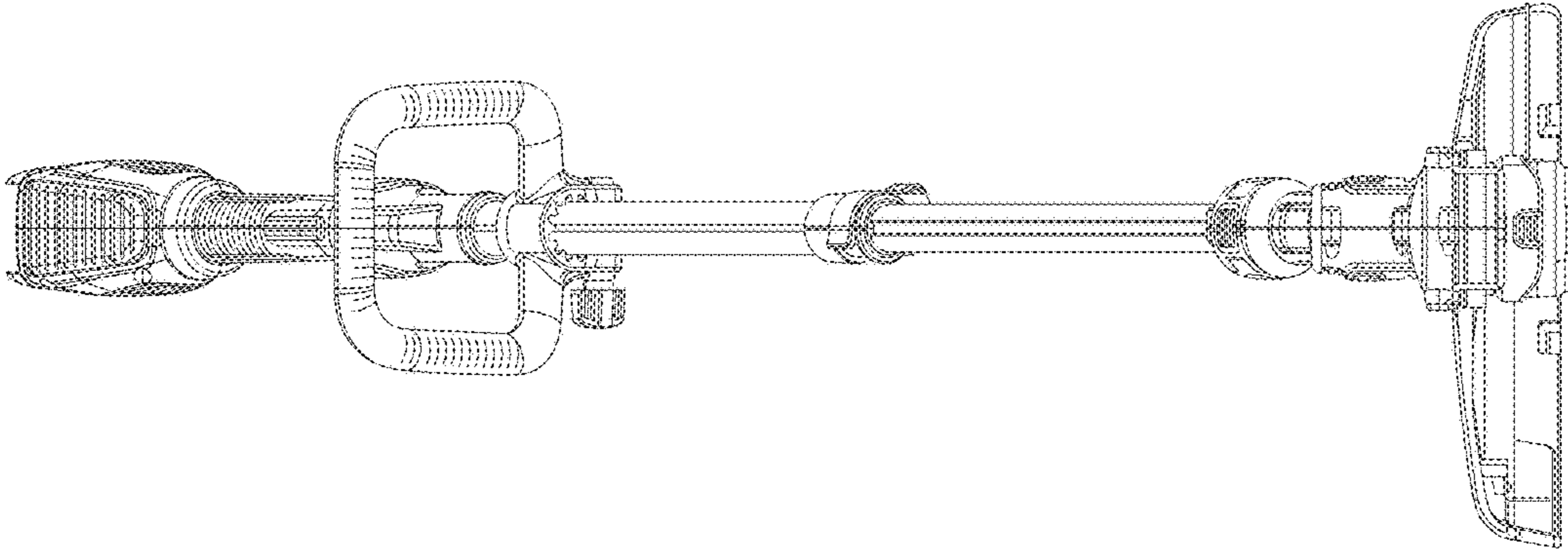


FIG. 2

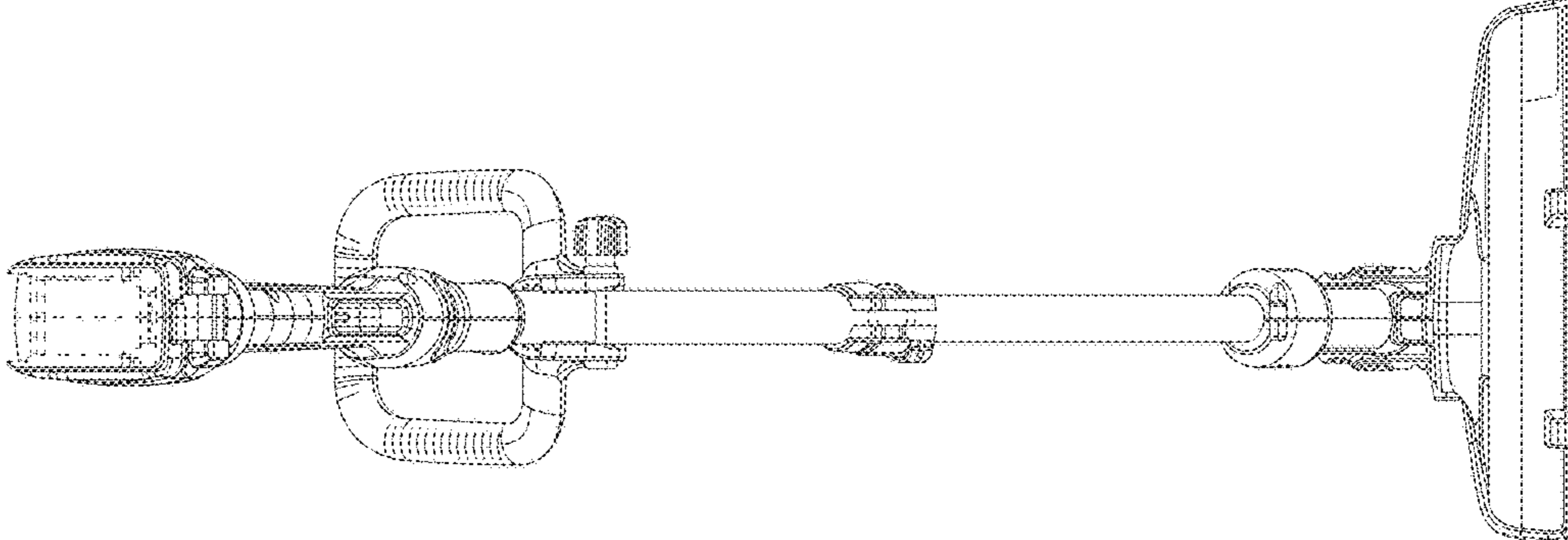


FIG. 3

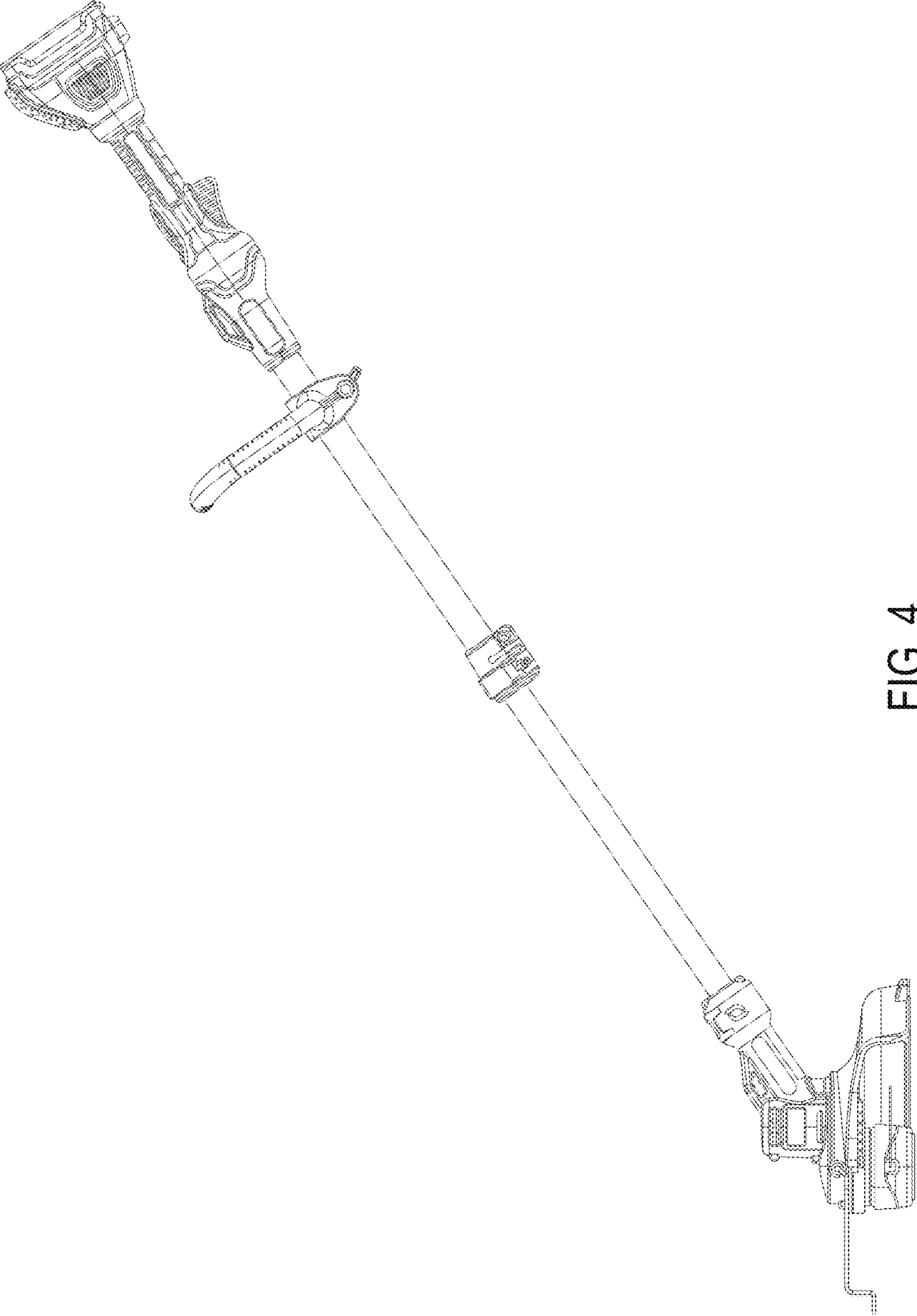


FIG. 4

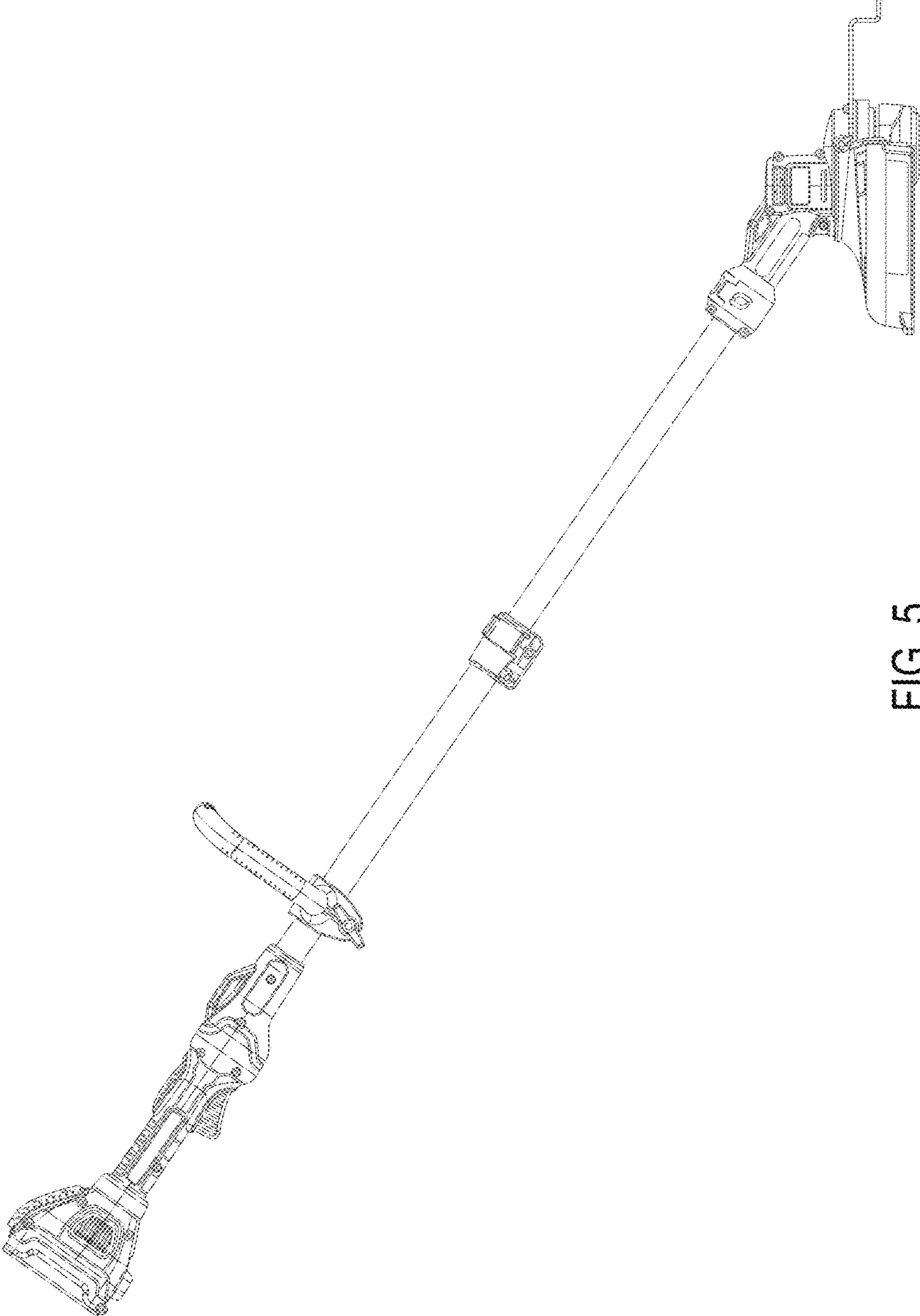


FIG. 5

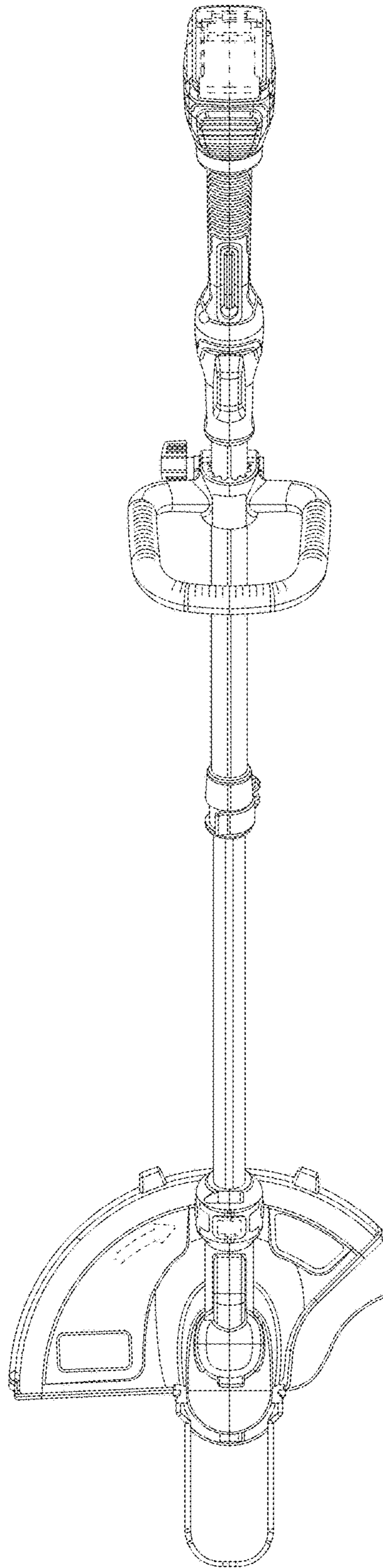


FIG. 6

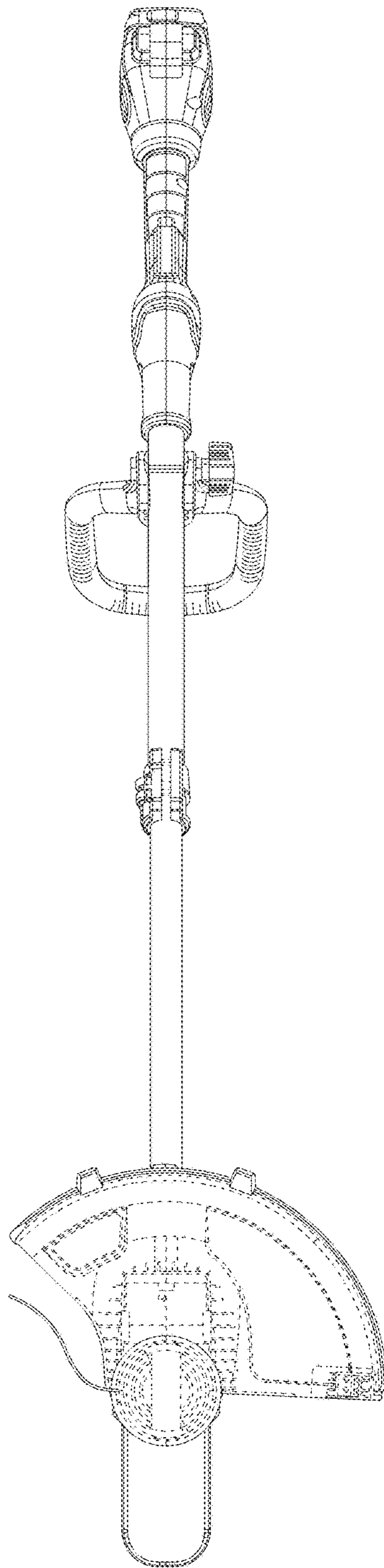


FIG. 7