



US00D776995S

(12) **United States Design Patent**  
**Schoch**

(10) **Patent No.:** **US D776,995 S**  
(45) **Date of Patent:** **\*\* Jan. 24, 2017**

- (54) **STRING TRIMMER**
- (71) Applicant: **BLACK & DECKER INC.**, Newark, DE (US)
- (72) Inventor: **Robert B. Schoch**, Baltimore, MD (US)
- (73) Assignee: **BLACK & DECKER INC.**, New Britain, CT (US)
- (\*\*) Term: **14 Years**
- (21) Appl. No.: **29/512,390**
- (22) Filed: **Dec. 18, 2014**
- (51) **LOC (10) Cl.** ..... **08-01**
- (52) **U.S. Cl.**  
USPC ..... **D8/8**
- (58) **Field of Classification Search**  
USPC ..... D8/1, 7, 8, 9, 499; D15/1, 17  
CPC .. A01D 34/01; A01D 34/416; A01D 34/4161;  
A01D 34/84; A01D 34/90; A01G  
3/06; A01G 3/062; A01G 3/067; B25F  
5/02; B27B 17/00; B27B 17/08; B27B  
17/0008; Y10T 83/9324  
See application file for complete search history.

- (56) **References Cited**  
U.S. PATENT DOCUMENTS  
D355,198 S \* 2/1995 Kikuchi ..... D15/1  
D355,818 S \* 2/1995 Nakadachi ..... D8/8  
D360,341 S \* 7/1995 Hirooka ..... D8/8  
D474,947 S \* 5/2003 Holmdahl ..... D8/8  
D482,942 S \* 12/2003 Ohi ..... D8/8

D600,516 S *	9/2009	Tinius	.....	D8/8
D600,517 S *	9/2009	Tinius	.....	D8/8
D605,910 S *	12/2009	Tinius	.....	D8/8
D624,372 S *	9/2010	Misaki	.....	D8/8
D625,159 S *	10/2010	Tinius	.....	D8/8
D625,160 S *	10/2010	Misaki	.....	D8/8
D668,516 S *	10/2012	Landberg	.....	D8/8
D709,743 S *	7/2014	Tinius	.....	D8/8
D712,214 S *	9/2014	Tajik	.....	D8/8
D712,215 S *	9/2014	Tajik	.....	D8/8
2004/0060274 A1 *	4/2004	Thomas	.....	A01D 34/90 56/12.7
2012/0227270 A1 *	9/2012	Ito	.....	A01D 34/4167 30/286

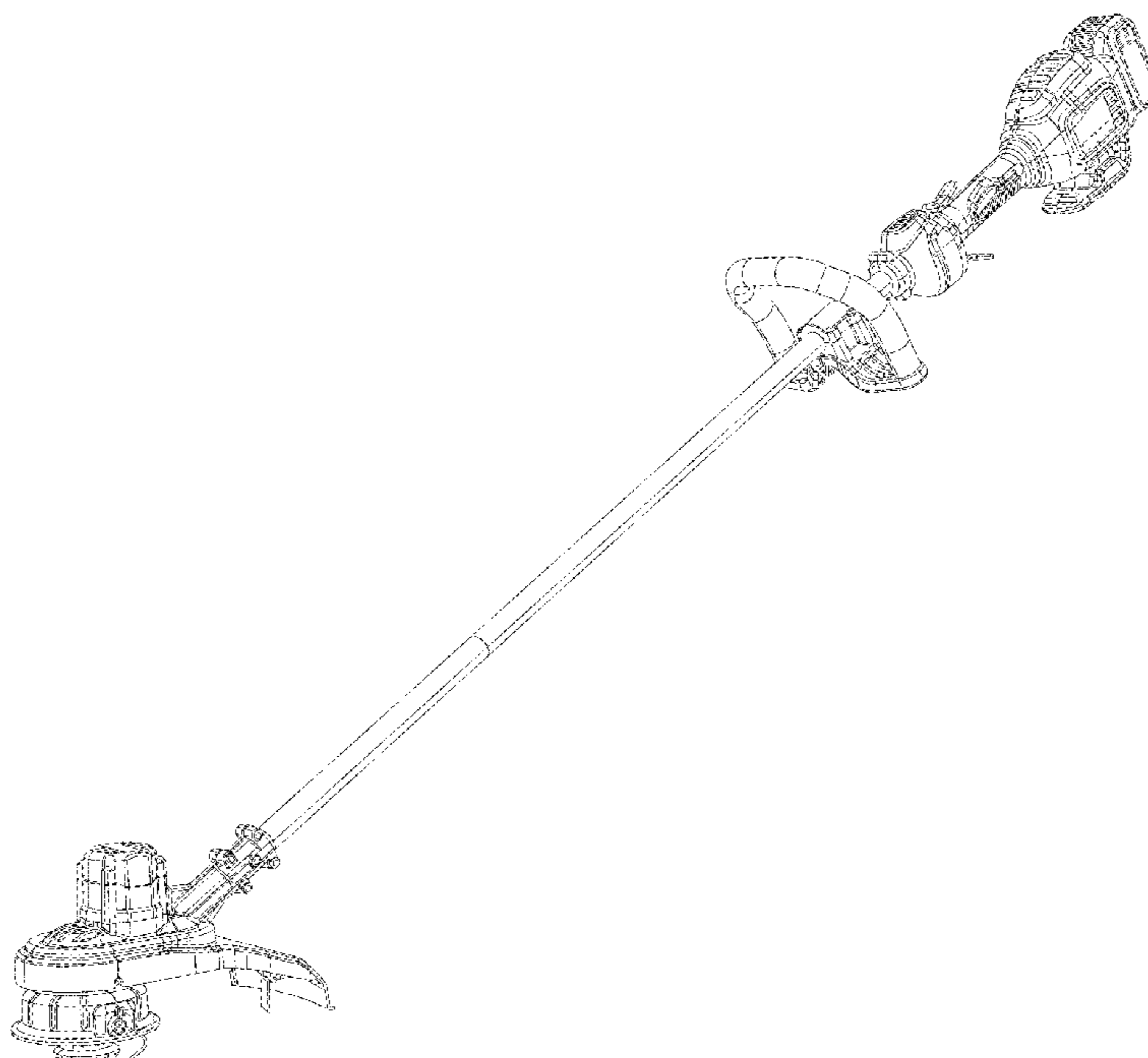
\* cited by examiner

*Primary Examiner* — Sandra Snapp  
*Assistant Examiner* — Ieisha Price  
(74) *Attorney, Agent, or Firm* — John Yun

(57) **CLAIM**  
The ornamental design for a string trimmer, as shown and described.

**DESCRIPTION**  
FIG. 1 is a perspective view of a string trimmer showing my new design;  
FIG. 2 is a front view thereof  
FIG. 3 is a rear view thereof;  
FIG. 4 is a left side view thereof;  
FIG. 5 is a right side view thereof;  
FIG. 6 is a top plan view thereof; and,  
FIG. 7 is a bottom plan view thereof.  
The broken lines in the drawings illustrate portions of the string trimmer and form no part of the claimed design.

**1 Claim, 7 Drawing Sheets**



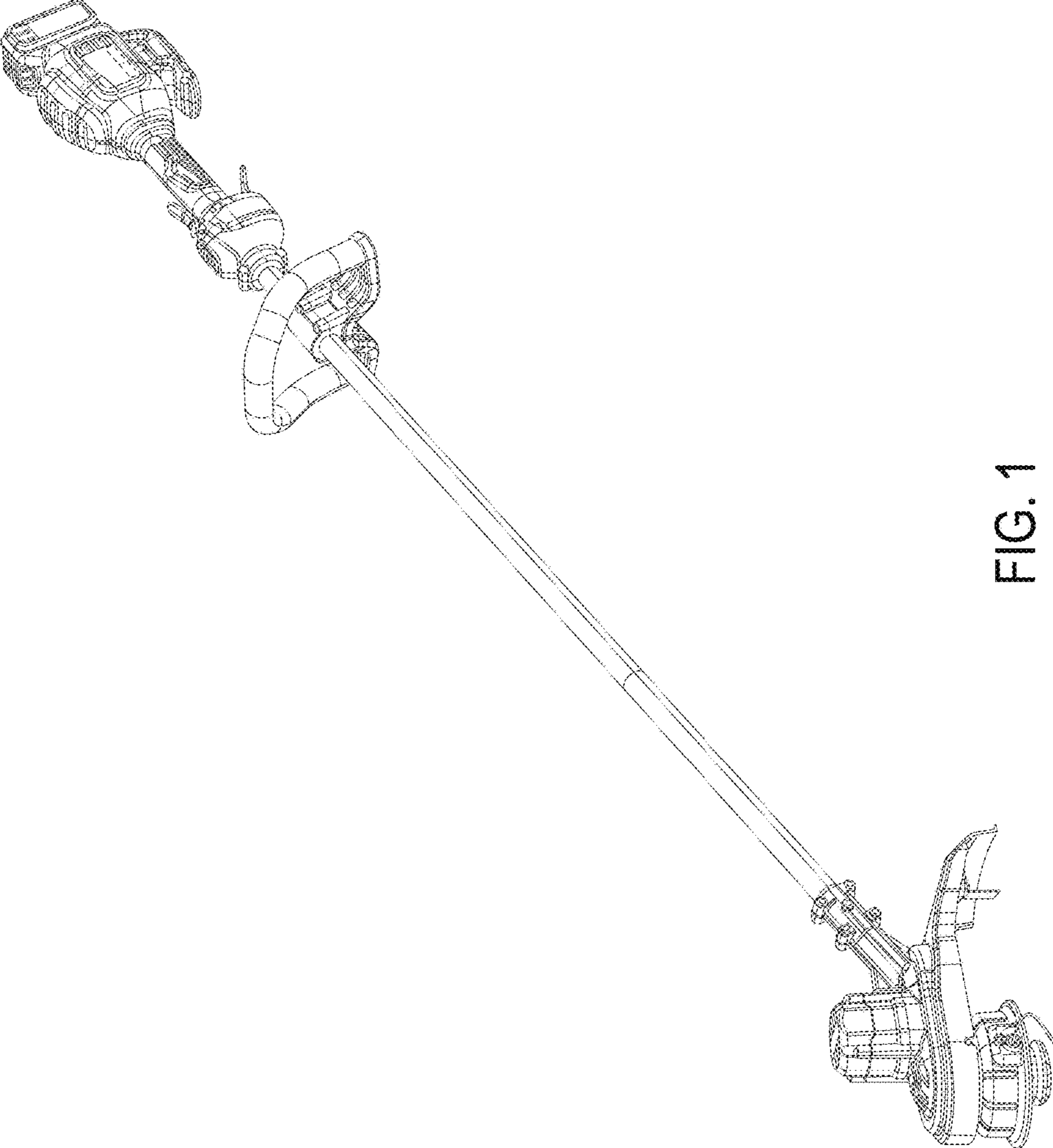


FIG. 1

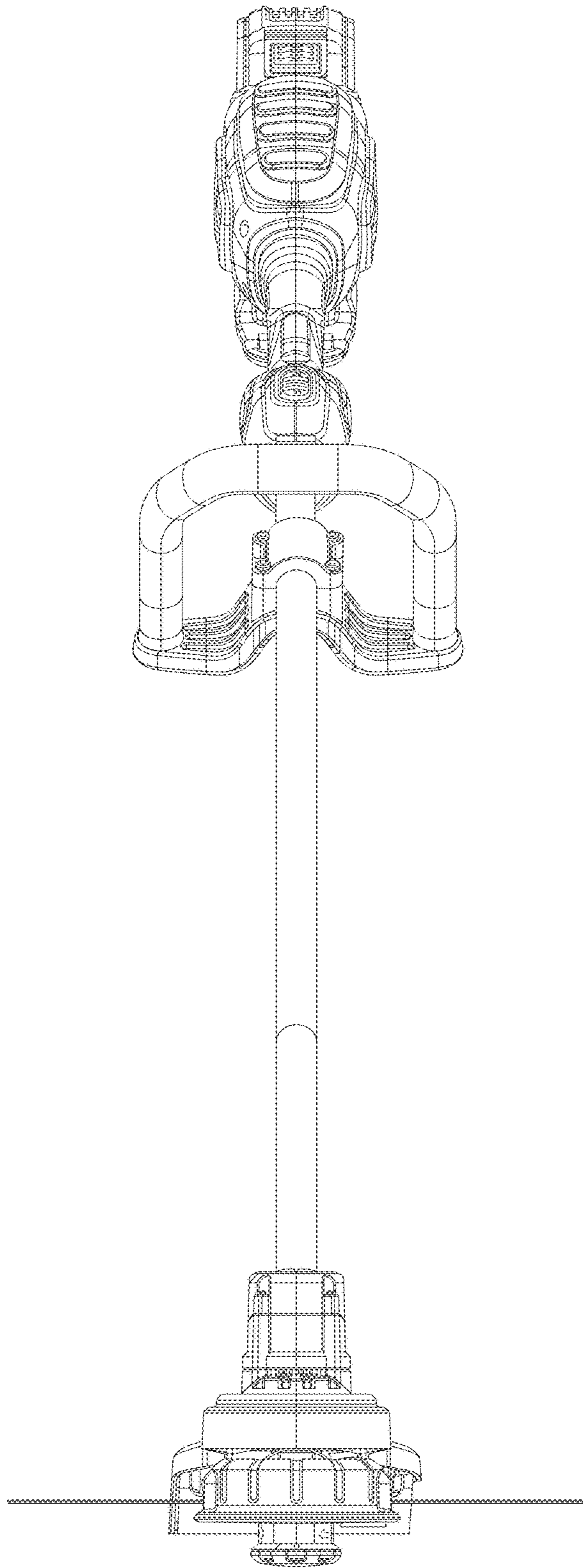


FIG. 2

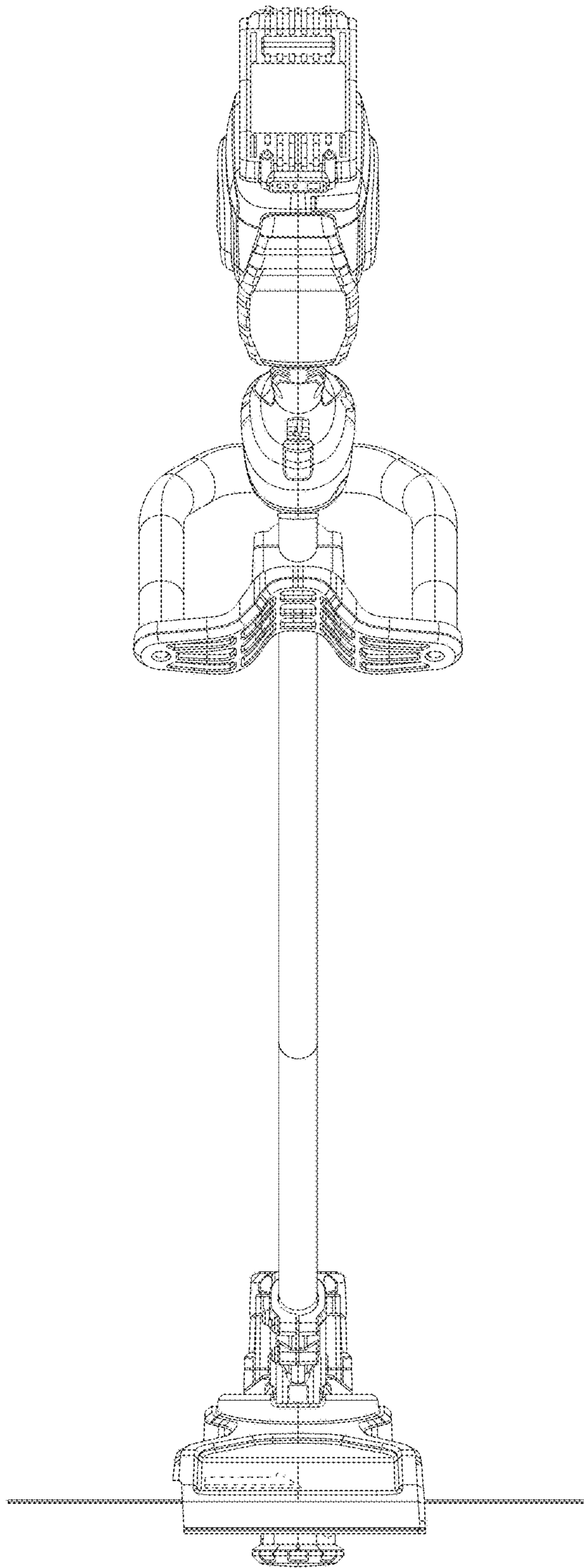


FIG. 3

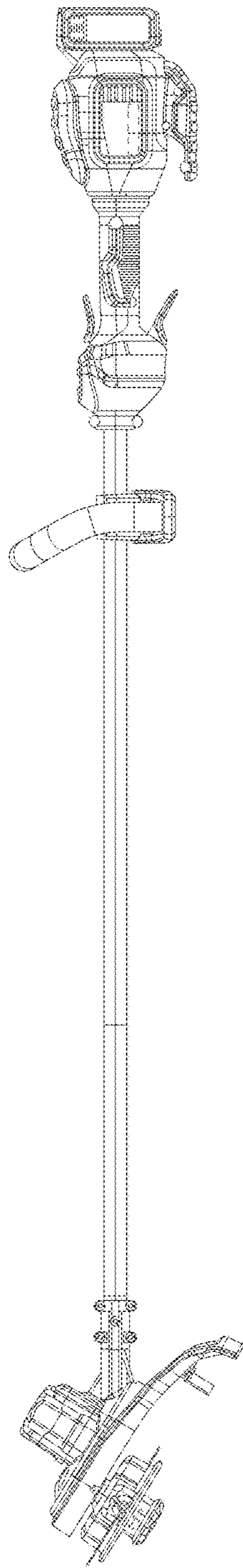


FIG. 4

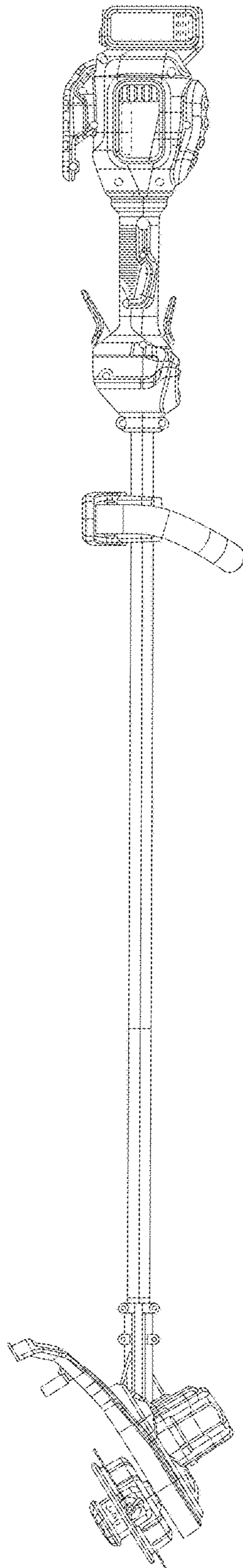


FIG. 5

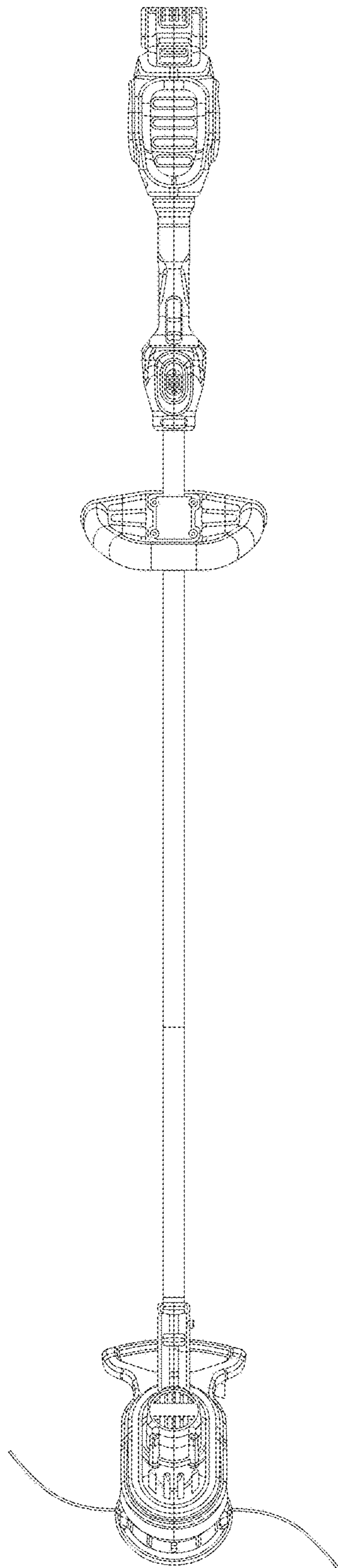


FIG. 6

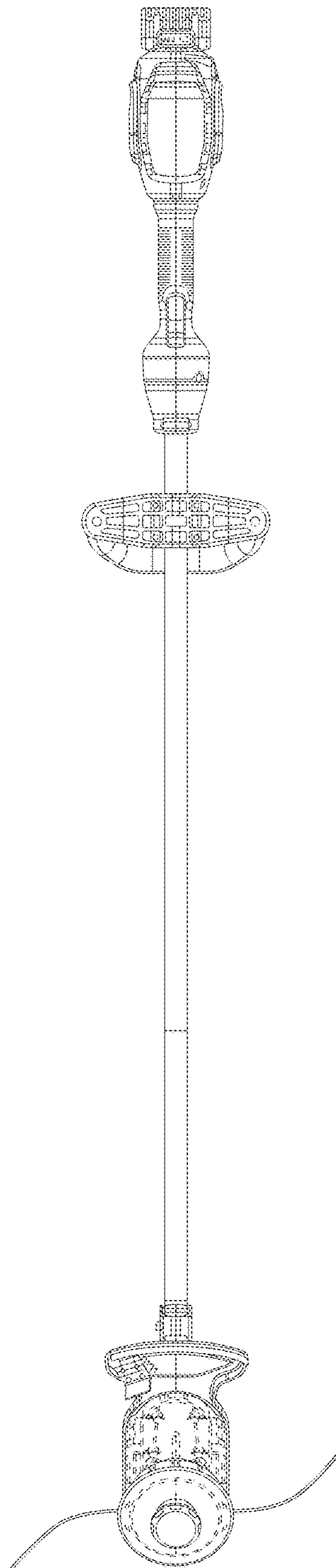


FIG. 7