



US00D776988S

(12) **United States Design Patent**  
**Repac**

(10) **Patent No.:** **US D776,988 S**  
(45) **Date of Patent:** **\*\* Jan. 24, 2017**

(54) **FOOD CUTTING DEVICE**

- (71) Applicant: **Genius GmbH**, Limburg (DE)
- (72) Inventor: **Cedomir Repac**, Brechen (DE)
- (73) Assignee: **GENIUS GMBH**, Limburg (DE)
- (\*\*) Term: **14 Years**
- (21) Appl. No.: **29/525,071**
- (22) Filed: **Apr. 27, 2015**

**Related U.S. Application Data**

- (62) Division of application No. 29/402,255, filed on Sep. 22, 2011, now Pat. No. Des. 730,704.

(30) **Foreign Application Priority Data**

Jun. 22, 2011 (DE) ..... 40 2011 006 034

(51) **LOC (10) Cl.** ..... **07-04**

(52) **U.S. Cl.**  
USPC ..... **D7/672**

(58) **Field of Classification Search**  
USPC ..... D7/669, 693, 412, 381, 395,  
665,D7/672-678, 629, 384, 368, 666,  
679, 680,D7/682, 683, 684, 685, 686,  
372; 241/100, 241/273.1; 83/167, 857,  
858, 651.1, 435.15, 83/932; 30/124, 299,  
114, 302, 174; 99/513, 99/596  
CPC ..... B26D 1/00; B26D 1/0006; B26D 1/01;  
B26D 1/26; B26D 1/45; B26D  
3/185; B26D 1/553; B26D 3/00; B26D  
3/18; B26D 3/24;

(Continued)

(56) **References Cited**

**U.S. PATENT DOCUMENTS**

- 1,512,055 A 10/1924 Rosenthal
- 1,599,346 A 9/1926 Purkey et al.

(Continued)

**FOREIGN PATENT DOCUMENTS**

- DE 8525144 U1 3/1986
- DE 212005000048 U1 5/2007

(Continued)

**OTHER PUBLICATIONS**

- U.S. Appl. No. 29/524,872, filed Apr. 24, 2015.
- (Continued)

*Primary Examiner* — Ian Simmons

*Assistant Examiner* — Shannon Morgan

(74) *Attorney, Agent, or Firm* — Leydig, Voit & Mayer, Ltd.

(57) **CLAIM**

The ornamental design for a food cutting device, as shown and described.

**DESCRIPTION**

FIG. 1 is a top front right perspective view of a first embodiment of a food cutting device showing my new design;

FIG. 2 is a right side elevational view thereof;

FIG. 3 is a left side elevational view thereof;

FIG. 4 is a front elevational view thereof;

FIG. 5 is a rear elevational view thereof;

FIG. 6 is a top plan top view thereof;

FIG. 7 is a bottom plan view thereof;

FIG. 8 is a top front right perspective view of a second embodiment of a food cutting device showing my new design;

FIG. 9 is a right side elevational view thereof;

FIG. 10 is a left side elevational view thereof;

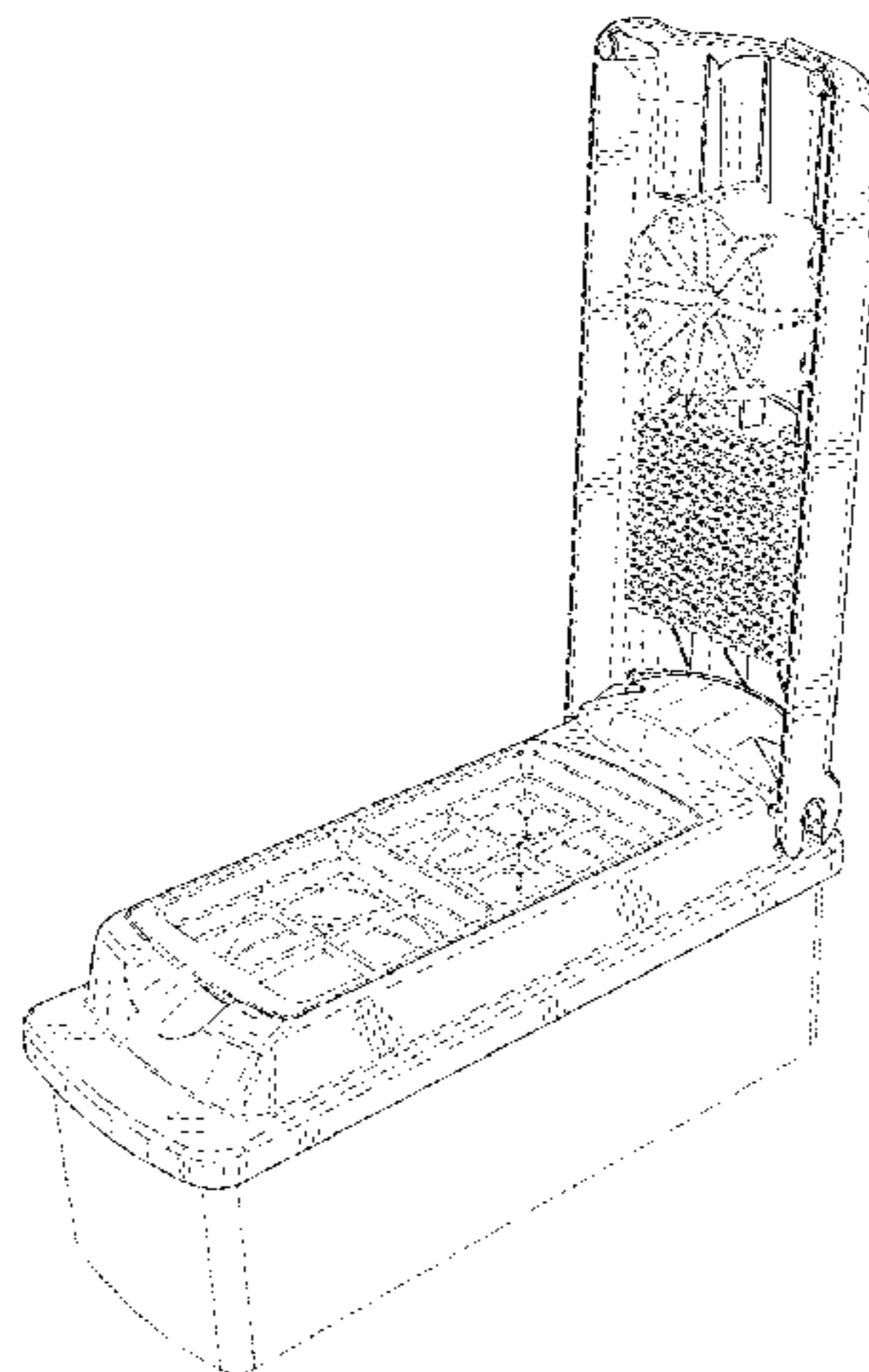
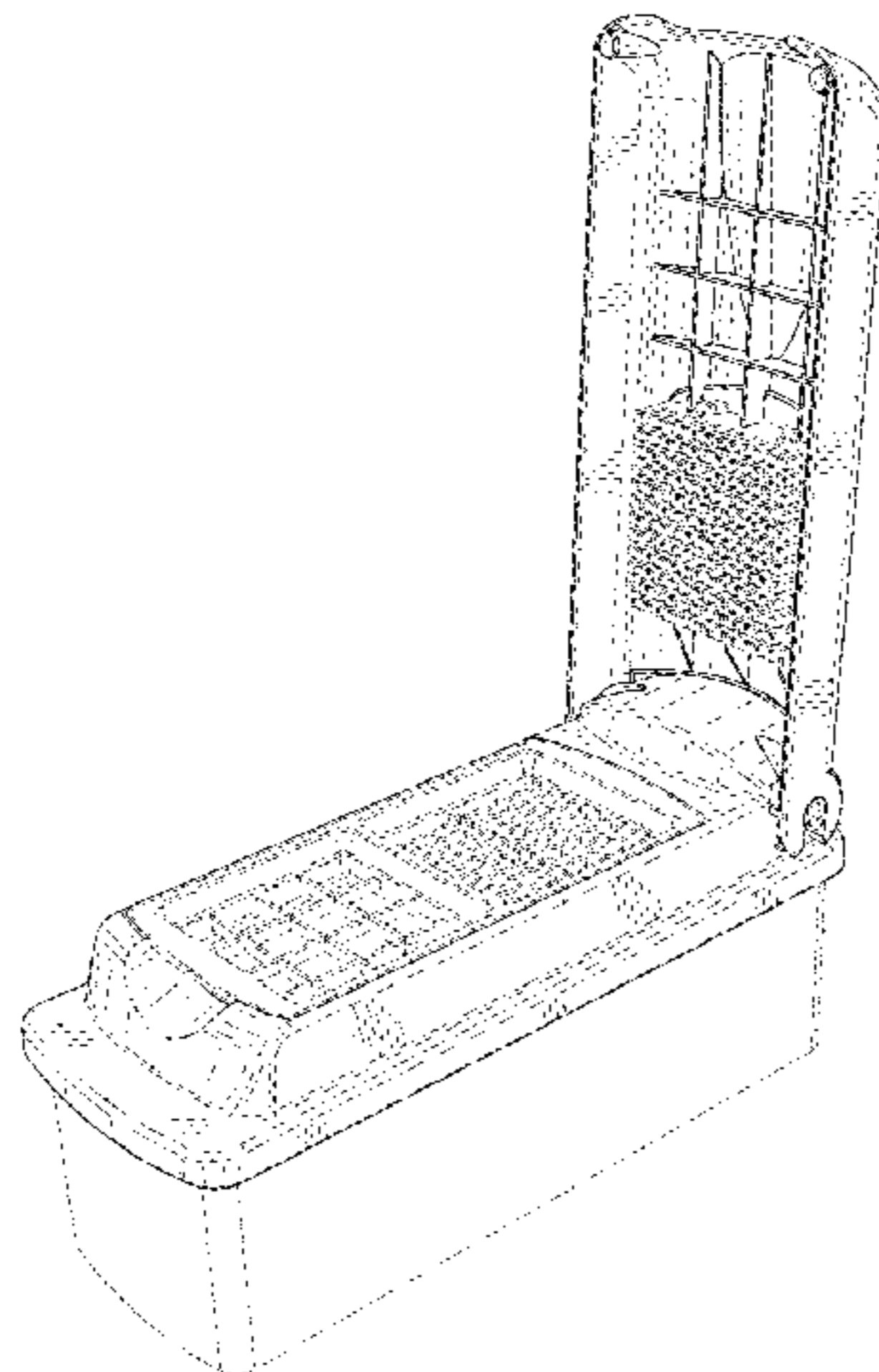
FIG. 11 is a front elevational view thereof;

FIG. 12 is a rear elevational view thereof;

FIG. 13 is a top plan top view thereof; and,

FIG. 14 is a bottom plan view thereof.

(Continued)





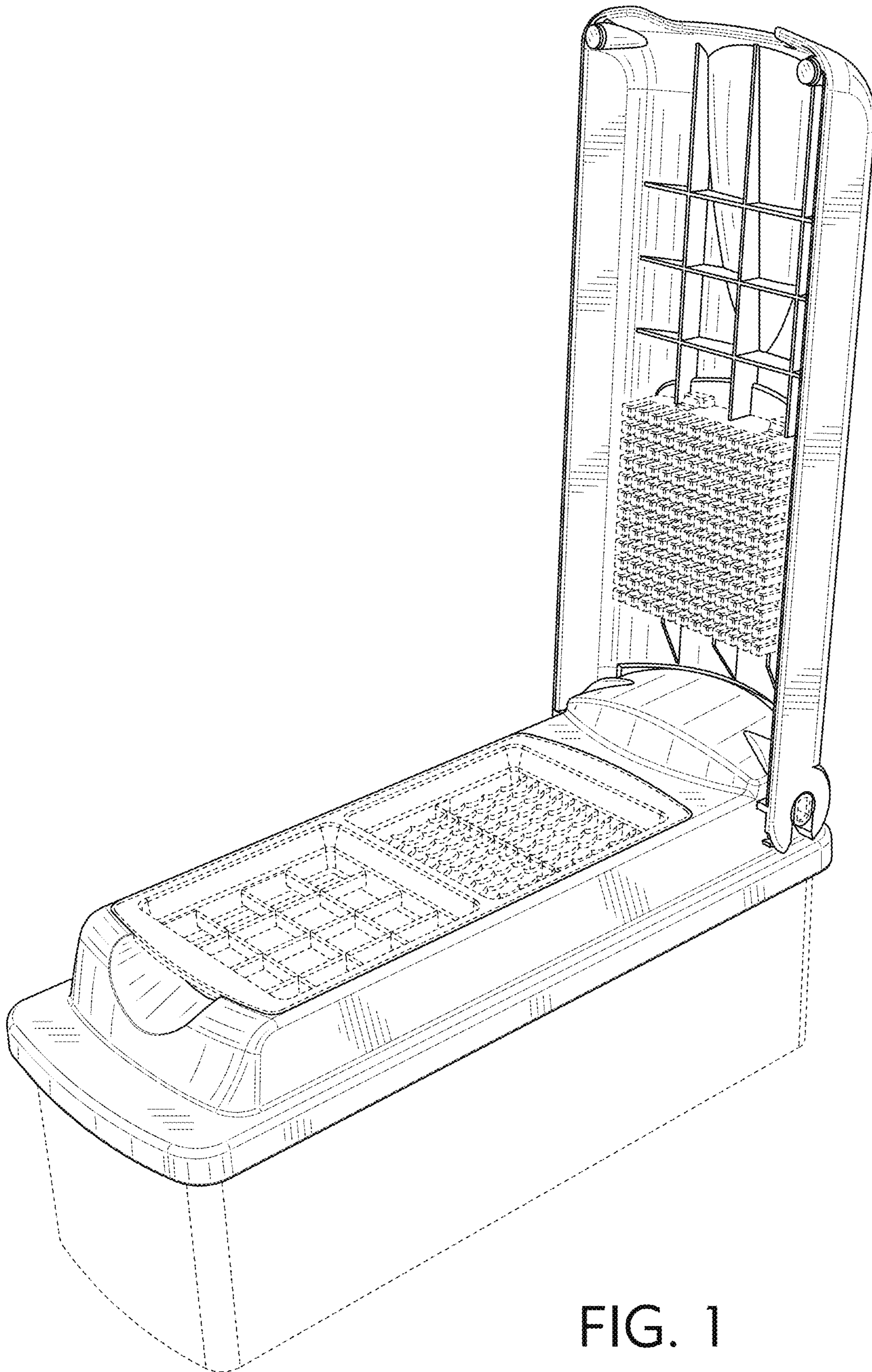


FIG. 1

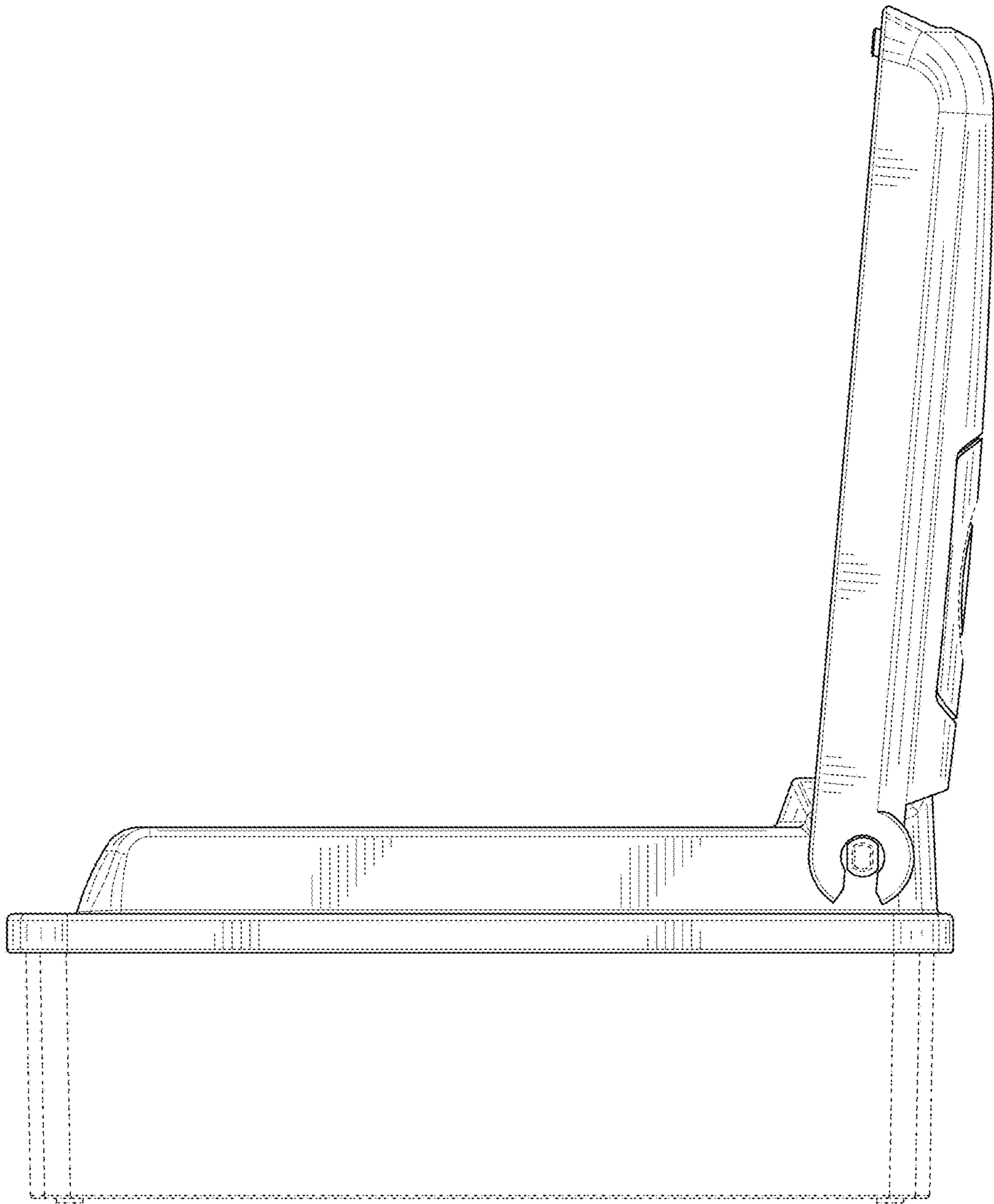


FIG. 2

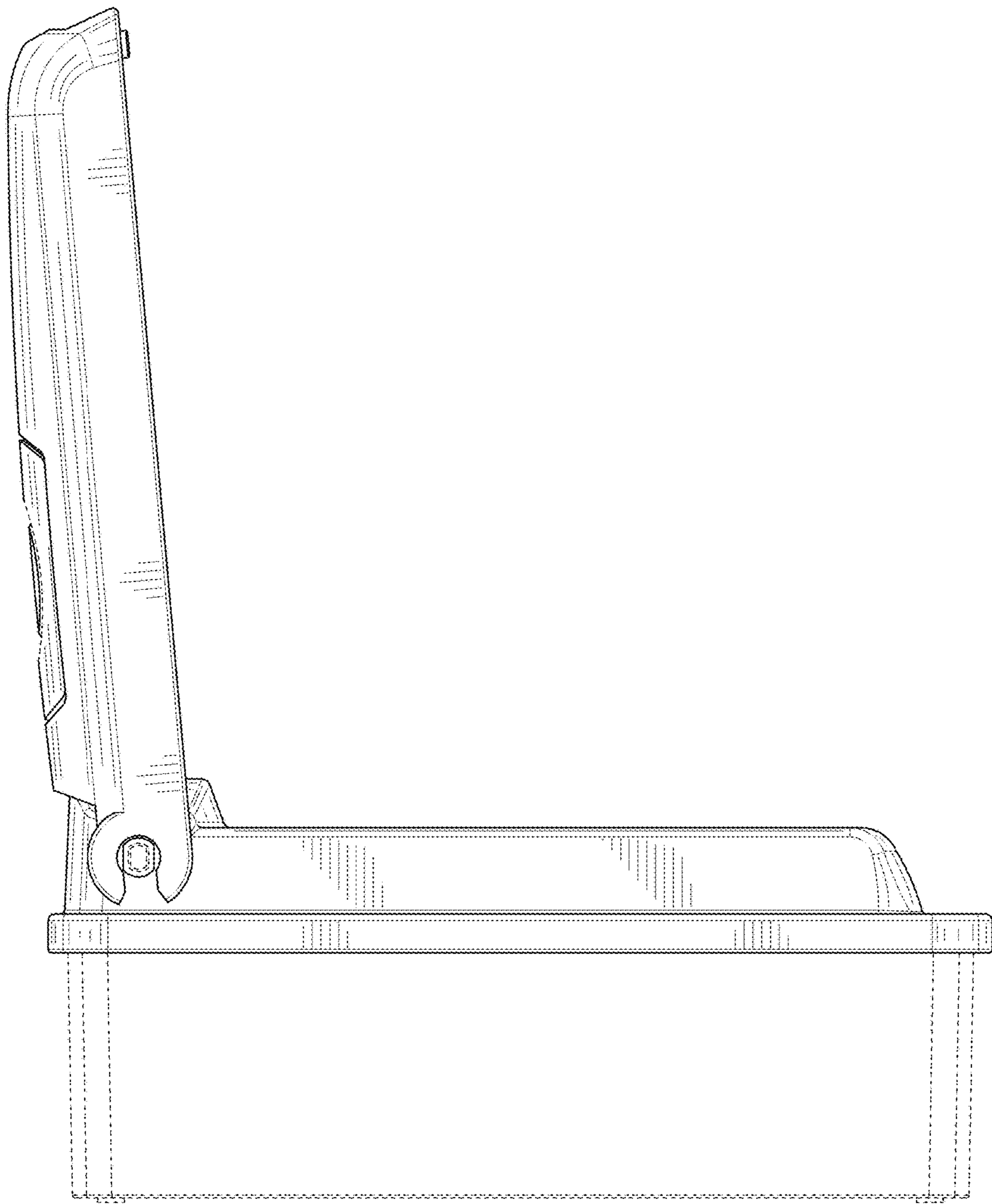


FIG. 3

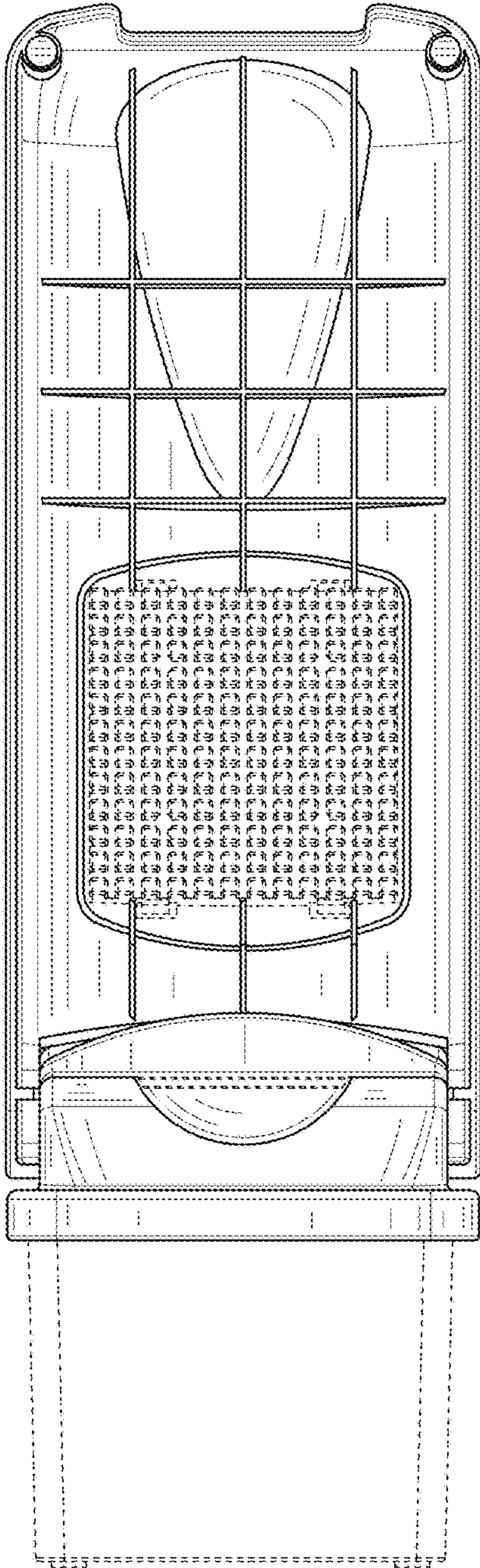


FIG. 4

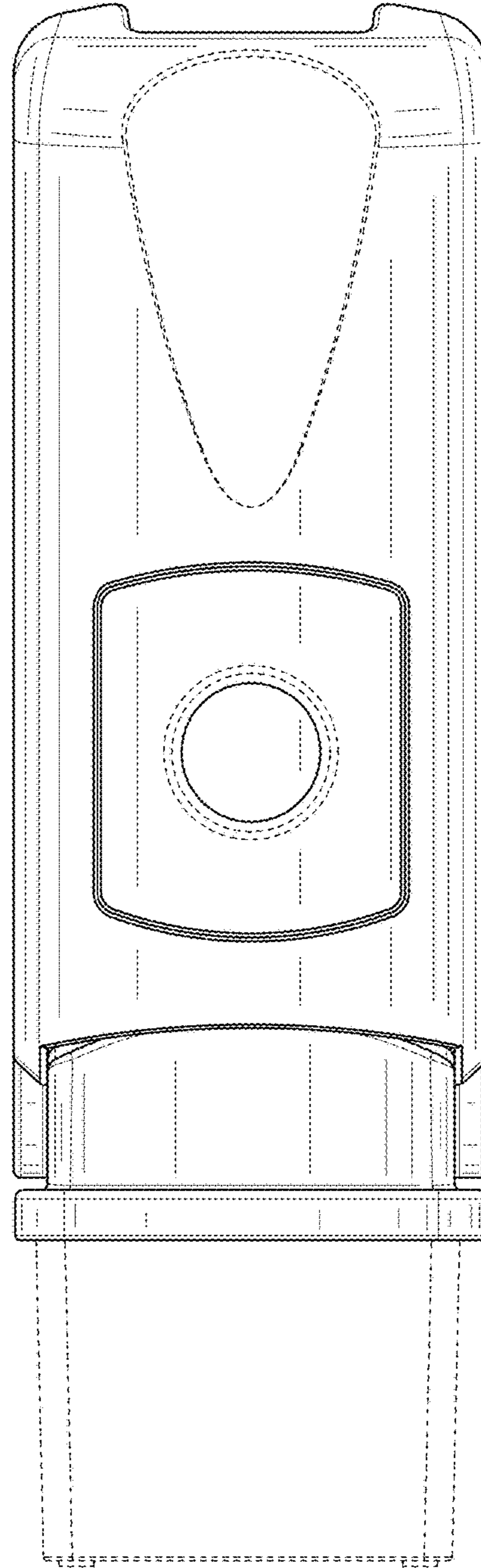


FIG. 5

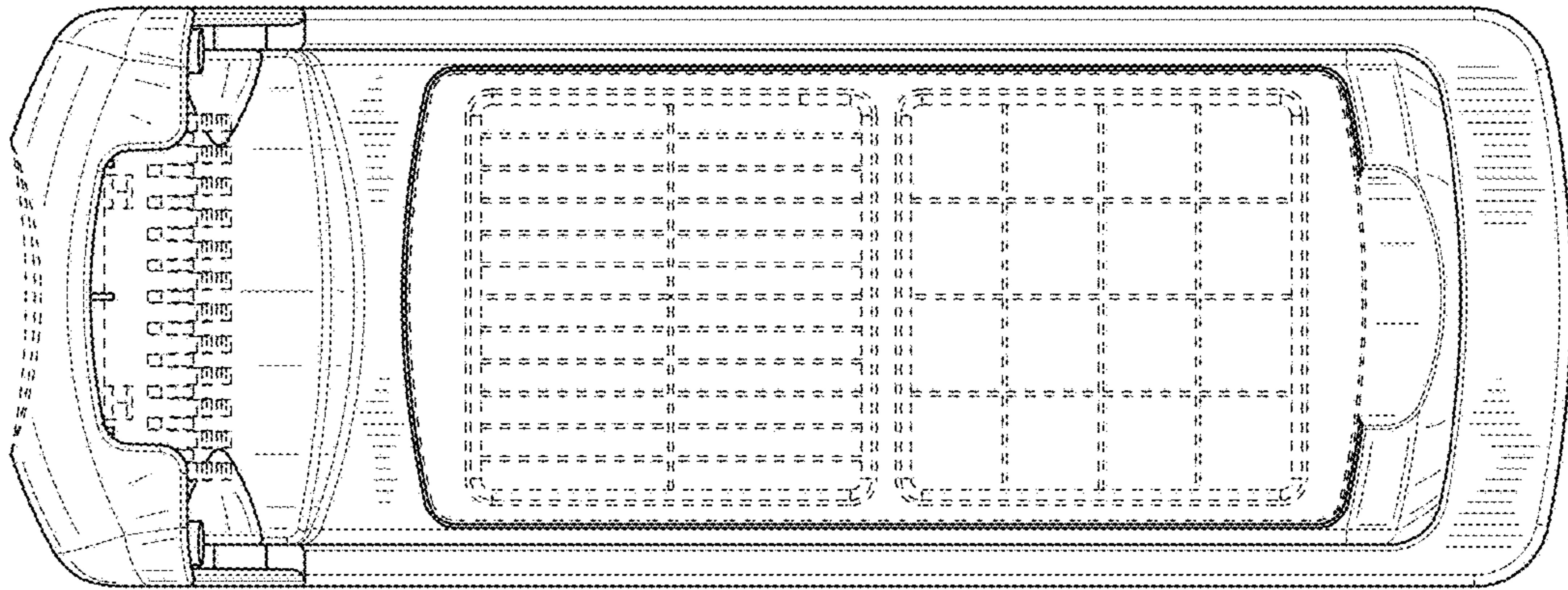


FIG. 6

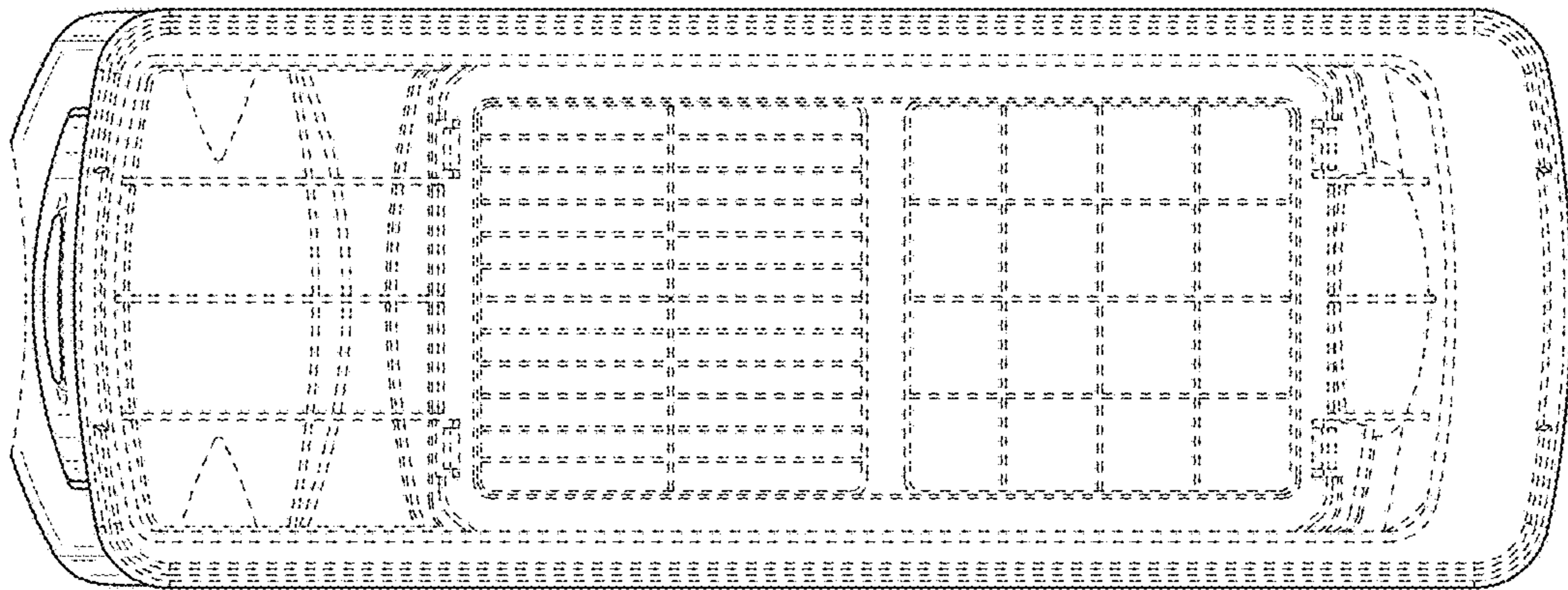


FIG. 7

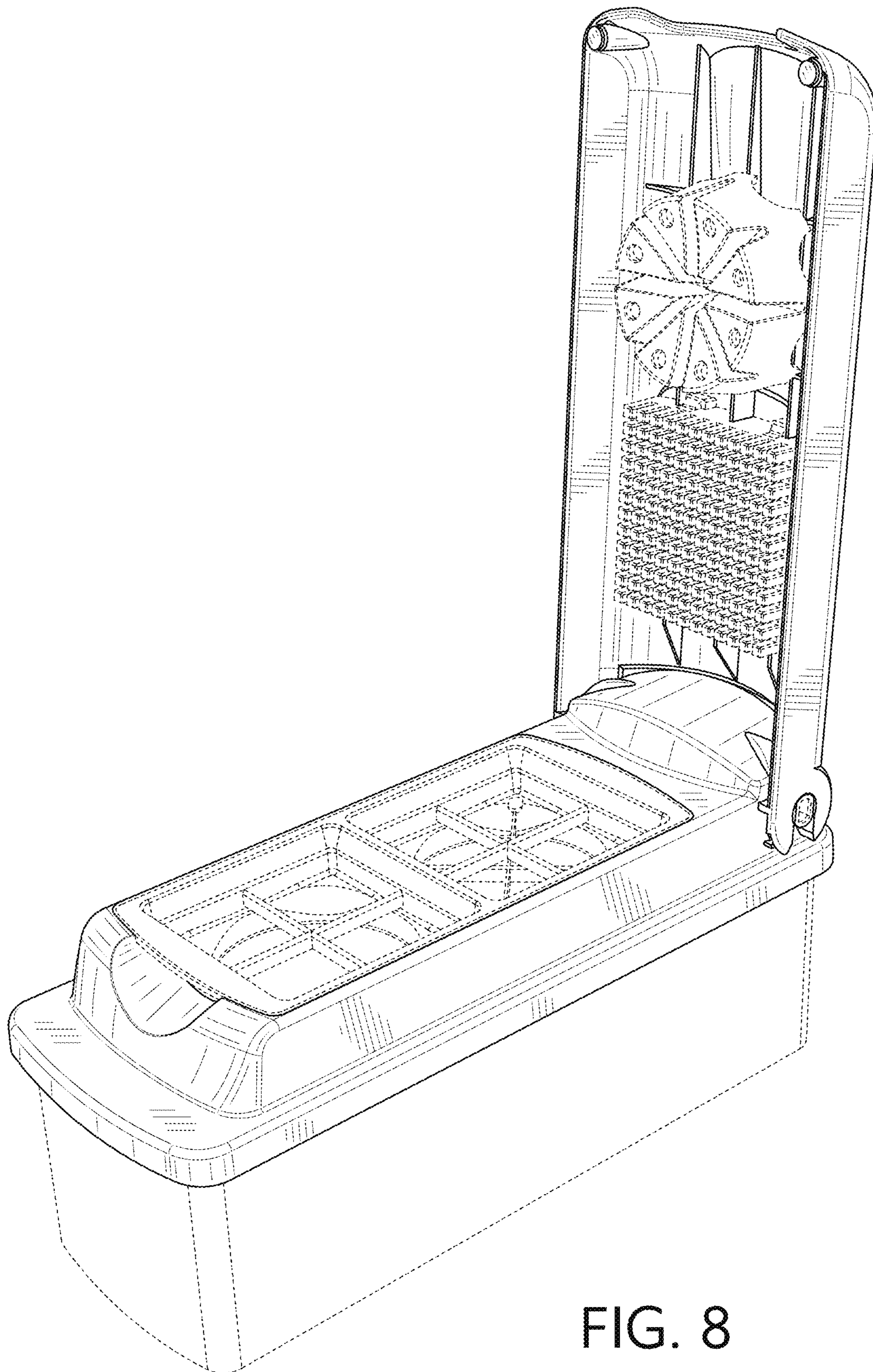


FIG. 8



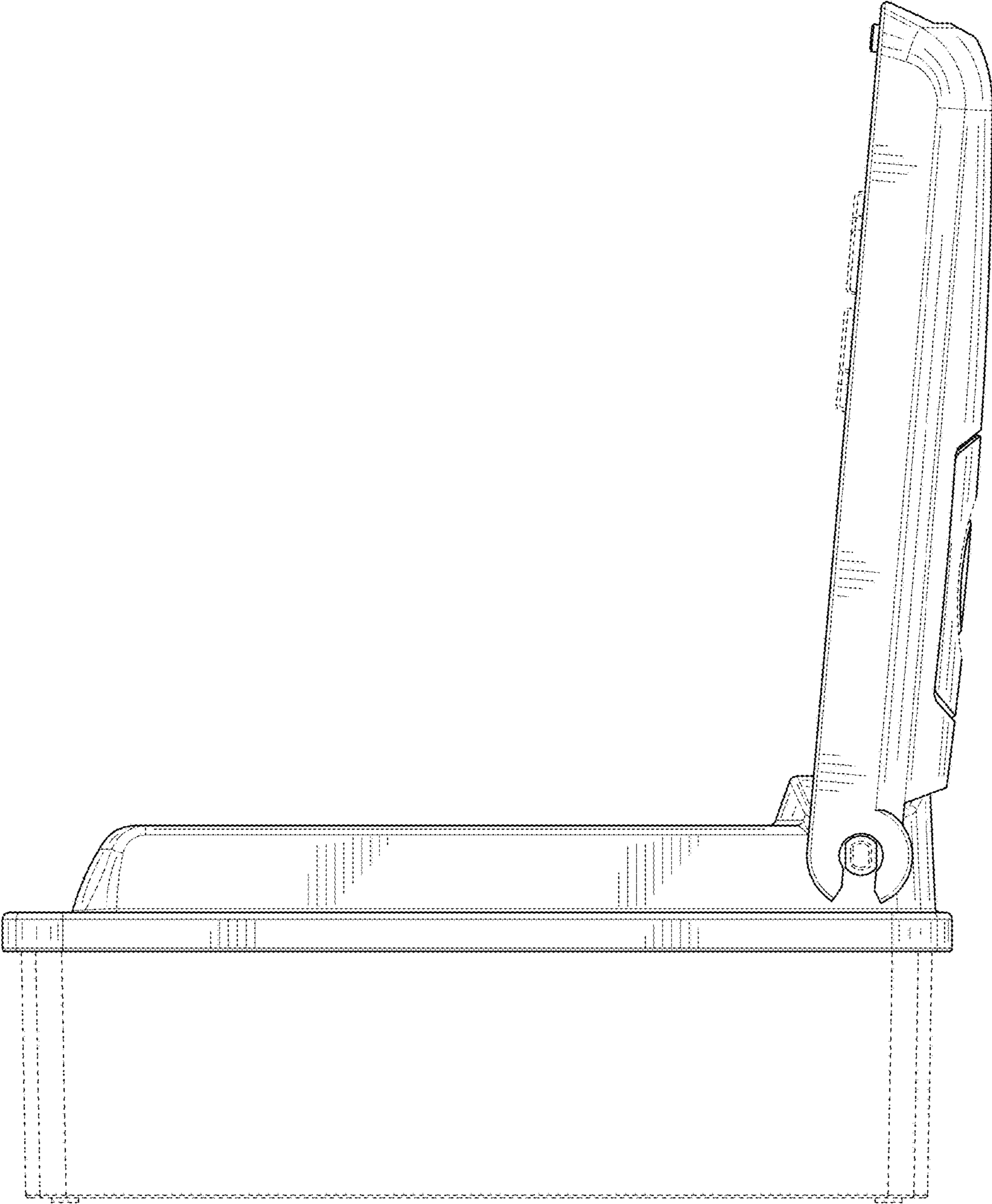


FIG. 9

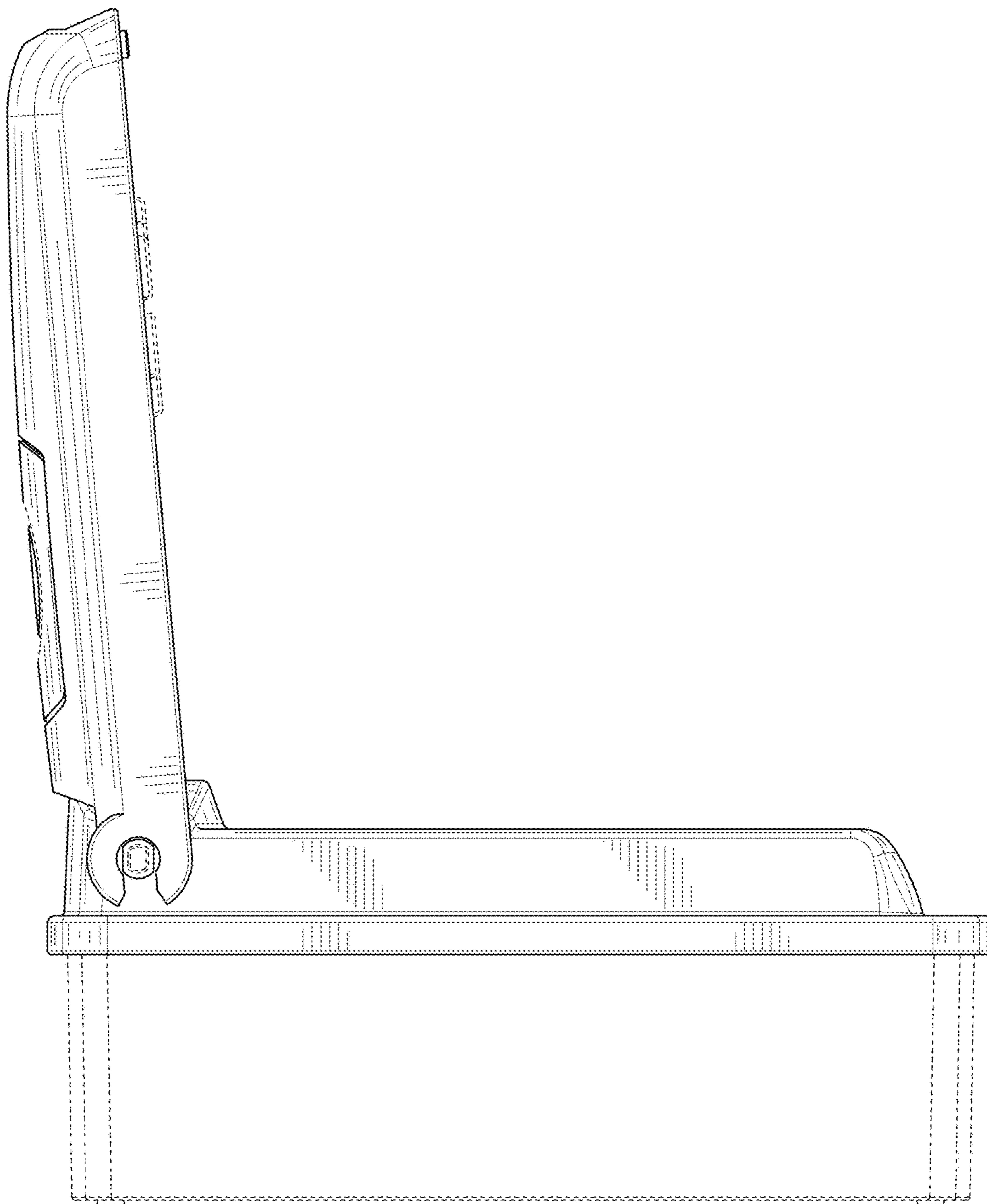


FIG. 10

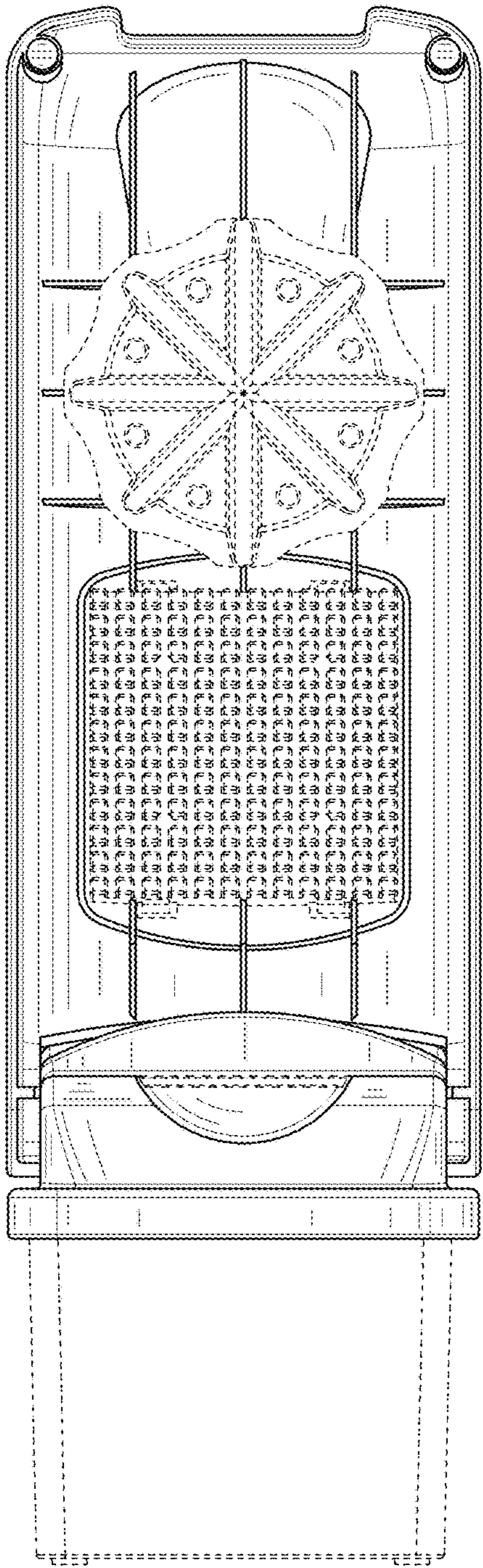


FIG. 11

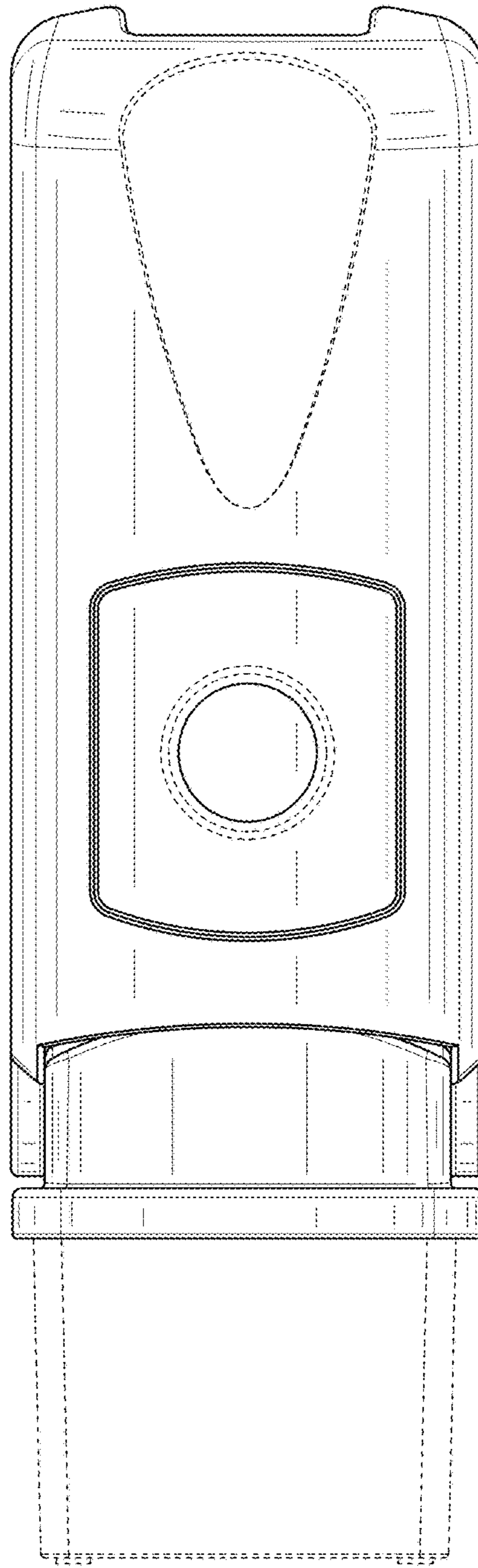


FIG. 12

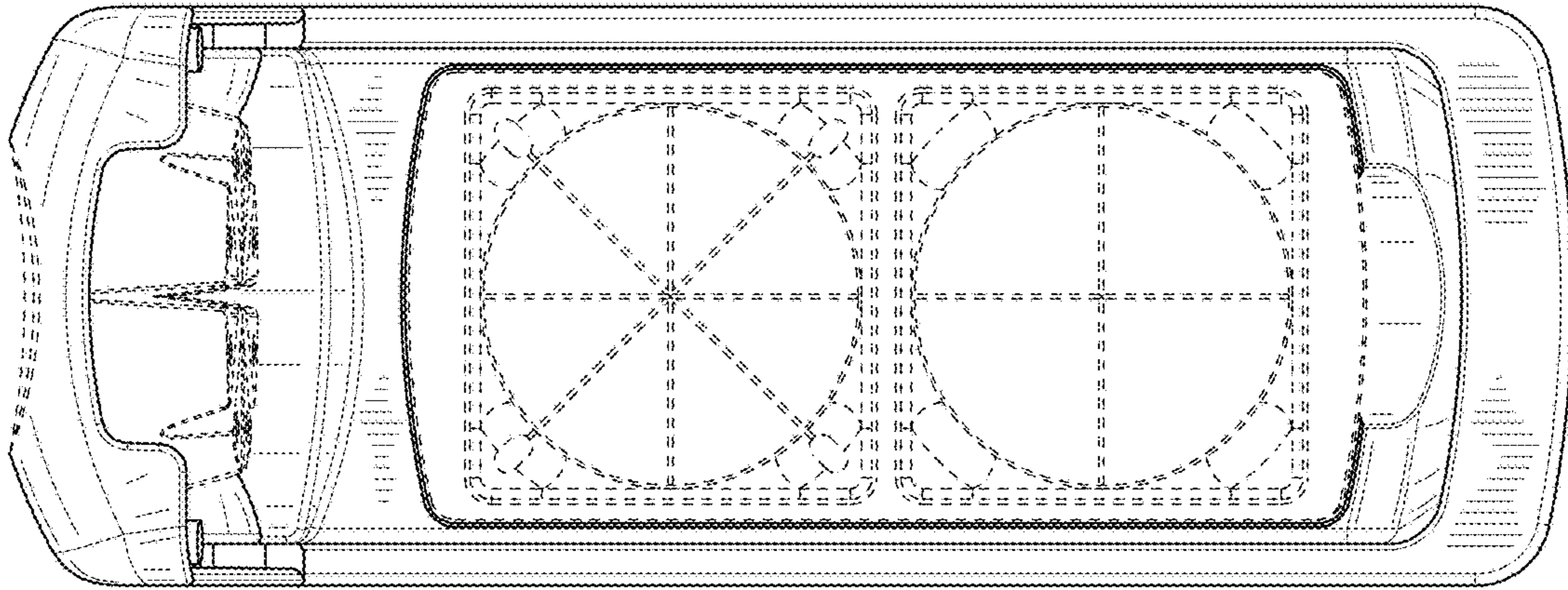


FIG. 13

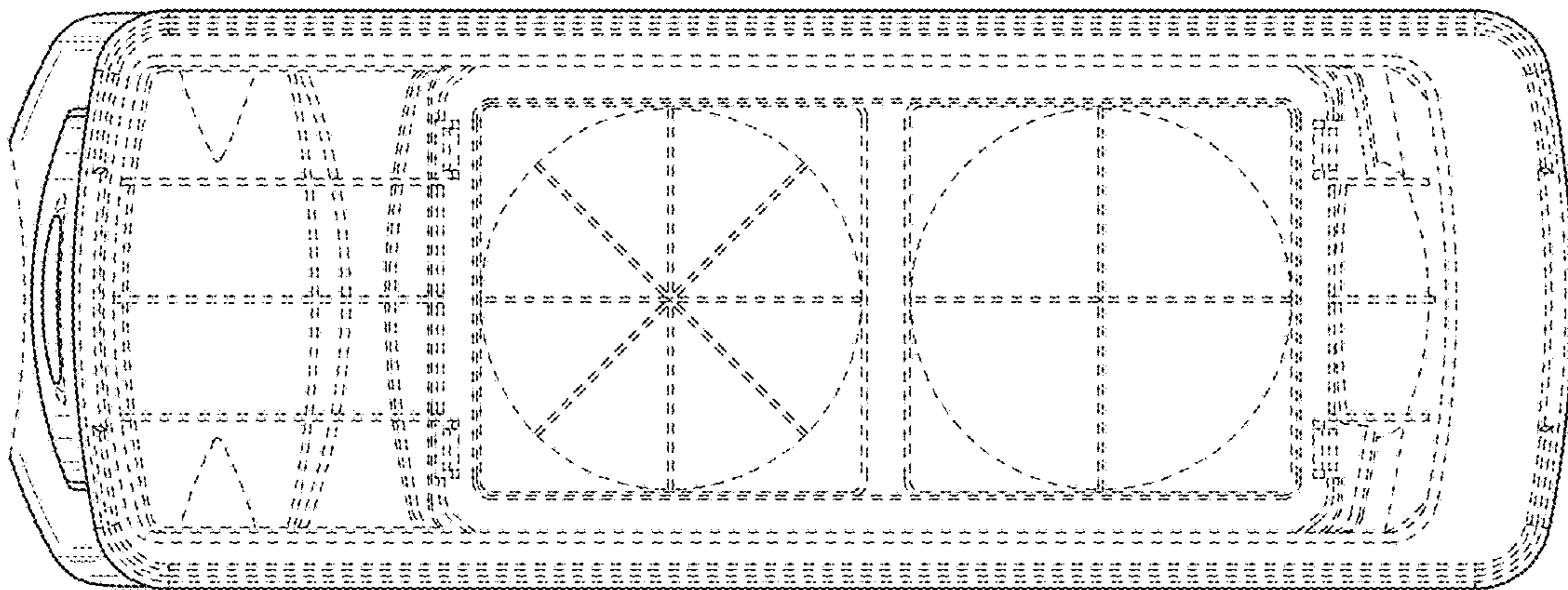


FIG. 14