



US00D776986S

(12) **United States Design Patent**  
**Landphere**

(10) **Patent No.:** **US D776,986 S**  
(45) **Date of Patent:** **\*\* Jan. 24, 2017**

(54) **MOUNTABLE SUBSTRATE HAVING A CUP HOLDER HOLDER**

(71) Applicant: **MyFastEddy, LLC**, Los Altos, CA (US)

(72) Inventor: **Edward A. Landphere**, Los Altos, CA (US)

(73) Assignee: **MYFASTEDDY, LLC**, Los Altos, CA (US)

(\*\*) Term: **15 Years**

(21) Appl. No.: **29/538,507**

(22) Filed: **Sep. 3, 2015**

(51) **LOC (10) Cl.** ..... **07-06**

(52) **U.S. Cl.**  
USPC ..... **D7/620; D12/419**

(58) **Field of Classification Search**  
USPC ..... D7/601, 602, 619.1, 620, 701, 708.1;  
D3/202, 229; D12/419, 420; 220/737;  
228/309.1, 310, 311.2, 313; 297/188.14,  
297/188.18

CPC ..... A47B 55/00; A47B 55/02; A47B 73/00;  
A47B 73/002; A47B 73/004; A47B  
73/006; A47B 73/008; A47B  
69/00; A47G 23/0266; B65D  
81/18; B65D 81/3876; B65D 81/3886

See application file for complete search history.

(56) **References Cited**

**U.S. PATENT DOCUMENTS**

D307,824 S	5/1990	Warren	
D322,512 S	12/1991	Andrykovitz	
D396,780 S	8/1998	Villarreal, Jr.	
D400,678 S	* 11/1998	Clark	D34/27
D425,012 S	5/2000	Bergin	
D478,860 S	8/2003	Young	

D485,529 S	1/2004	Schoenberger	
D514,896 S	* 2/2006	Wickenhauser	D7/619.1
D516,393 S	* 3/2006	Wickenhauser	D7/619.1
D563,177 S	3/2008	Bergin	
D574,197 S	8/2008	Bergin	
D604,564 S	* 11/2009	Walter	D7/620
D650,639 S	12/2011	Freese et al.	
D721,544 S	* 1/2015	Hollander	D7/620
D721,545 S	1/2015	Hollander	
D735,636 S	8/2015	Wragg	
D737,504 S	8/2015	Chen et al.	

**OTHER PUBLICATIONS**

Landphere, Notice-of-Allowance, U.S. Appl. No. 29/538,505, Sep. 12, 2016, 9 pgs.

Landphere, Notice-of-Allowance, U.S. Appl. No. 29/538,506, Sep. 12, 2016, 9 pgs.

\* cited by examiner

*Primary Examiner* — Keli L Hill

(74) *Attorney, Agent, or Firm* — Morgan, Lewis & Bockius LLP

(57) **CLAIM**

The ornamental design for a mountable substrate having a cup holder, as shown and described.

**DESCRIPTION**

FIG. 1 is a perspective view of a mountable substrate having a cup holder, embodying my new design;

FIG. 2 is a bottom plan view thereof;

FIG. 3 is a top plan view thereof;

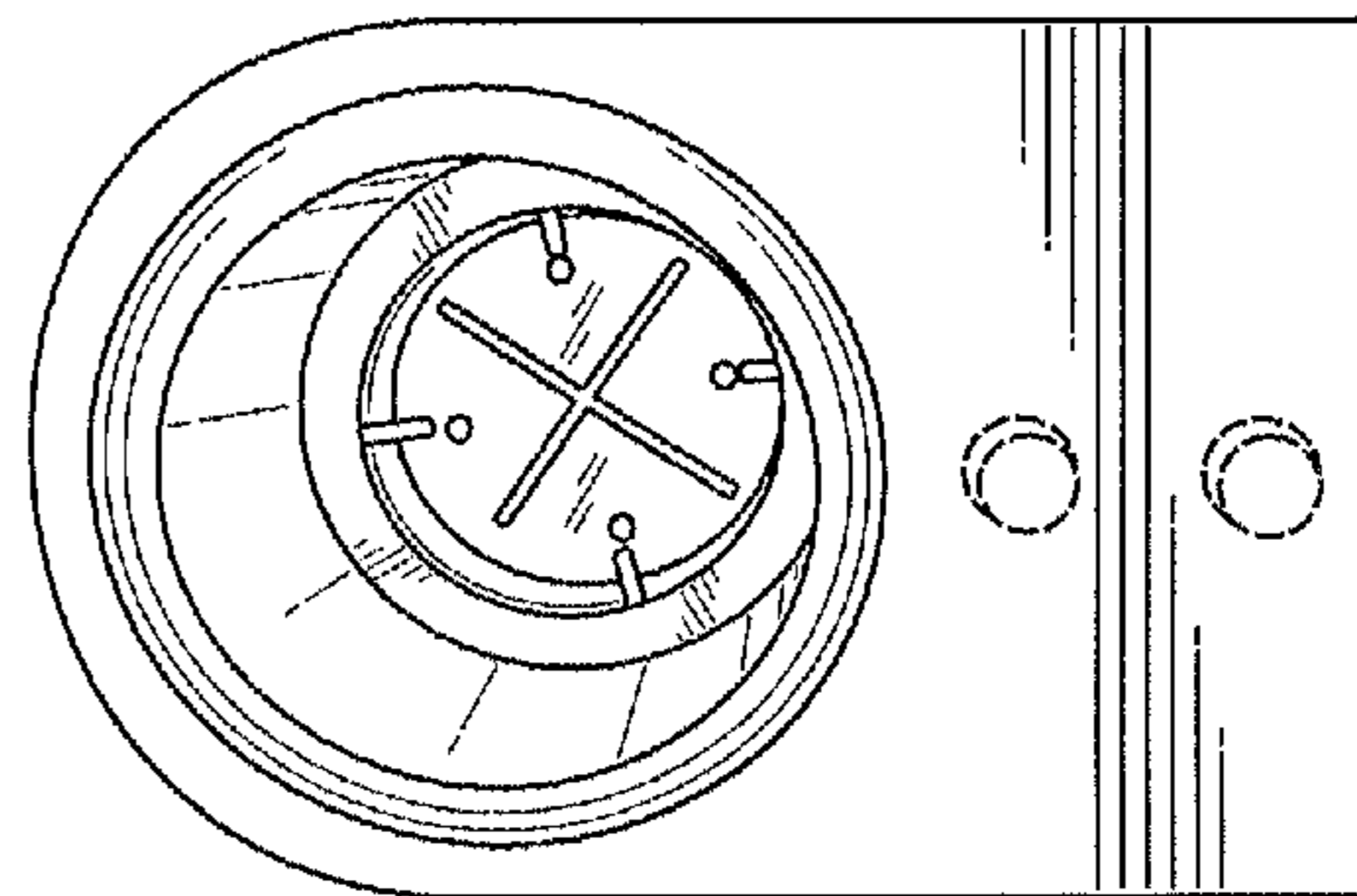
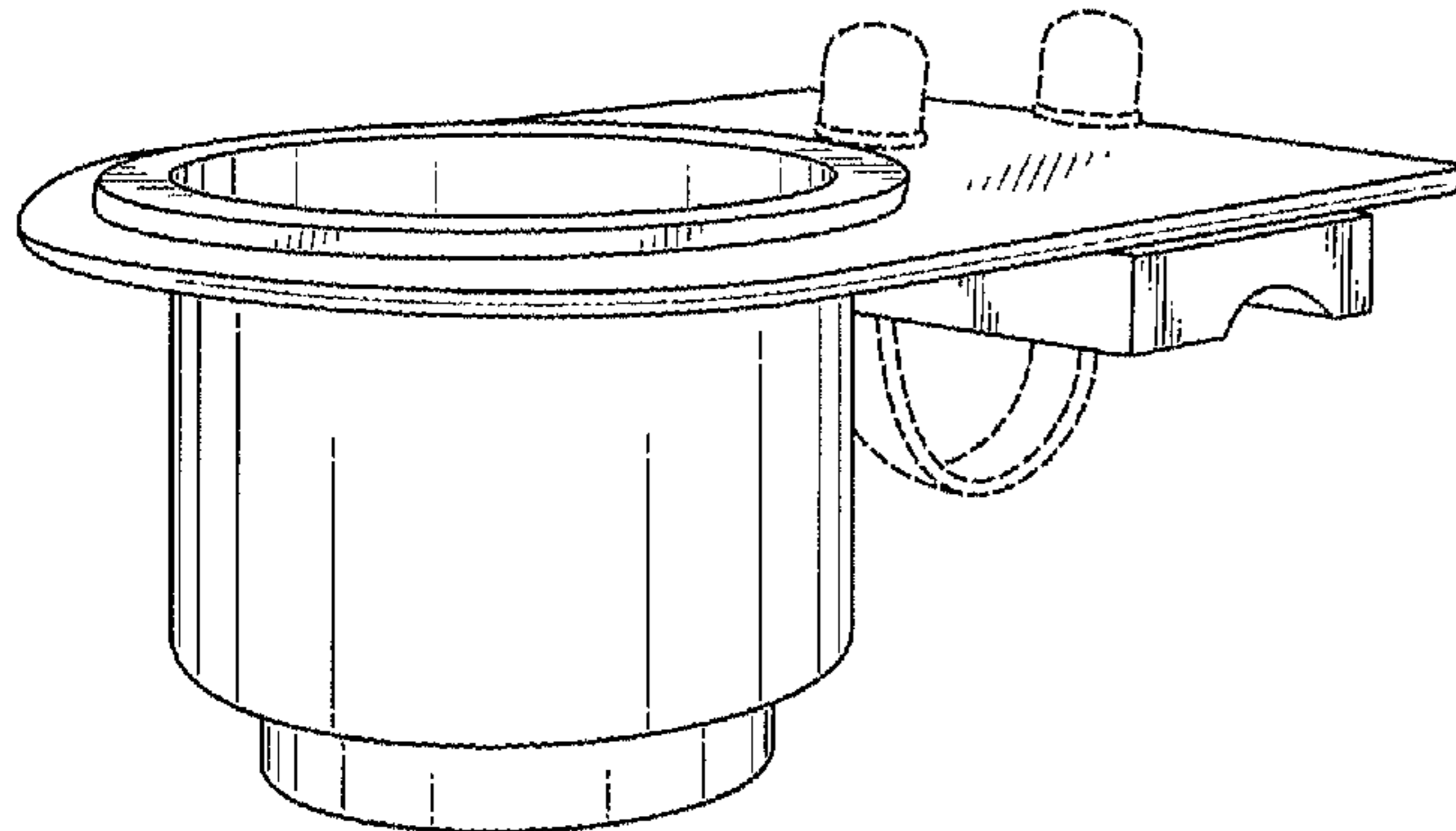
FIG. 4 is a first side elevation view thereof;

FIG. 5 is a second side elevation view thereof; and,

FIG. 6 is a third side elevation view thereof.

The broken lines shown are included for the purpose of illustrating portions of the mountable substrate having a cup holder that form no part of the claim.

**1 Claim, 3 Drawing Sheets**



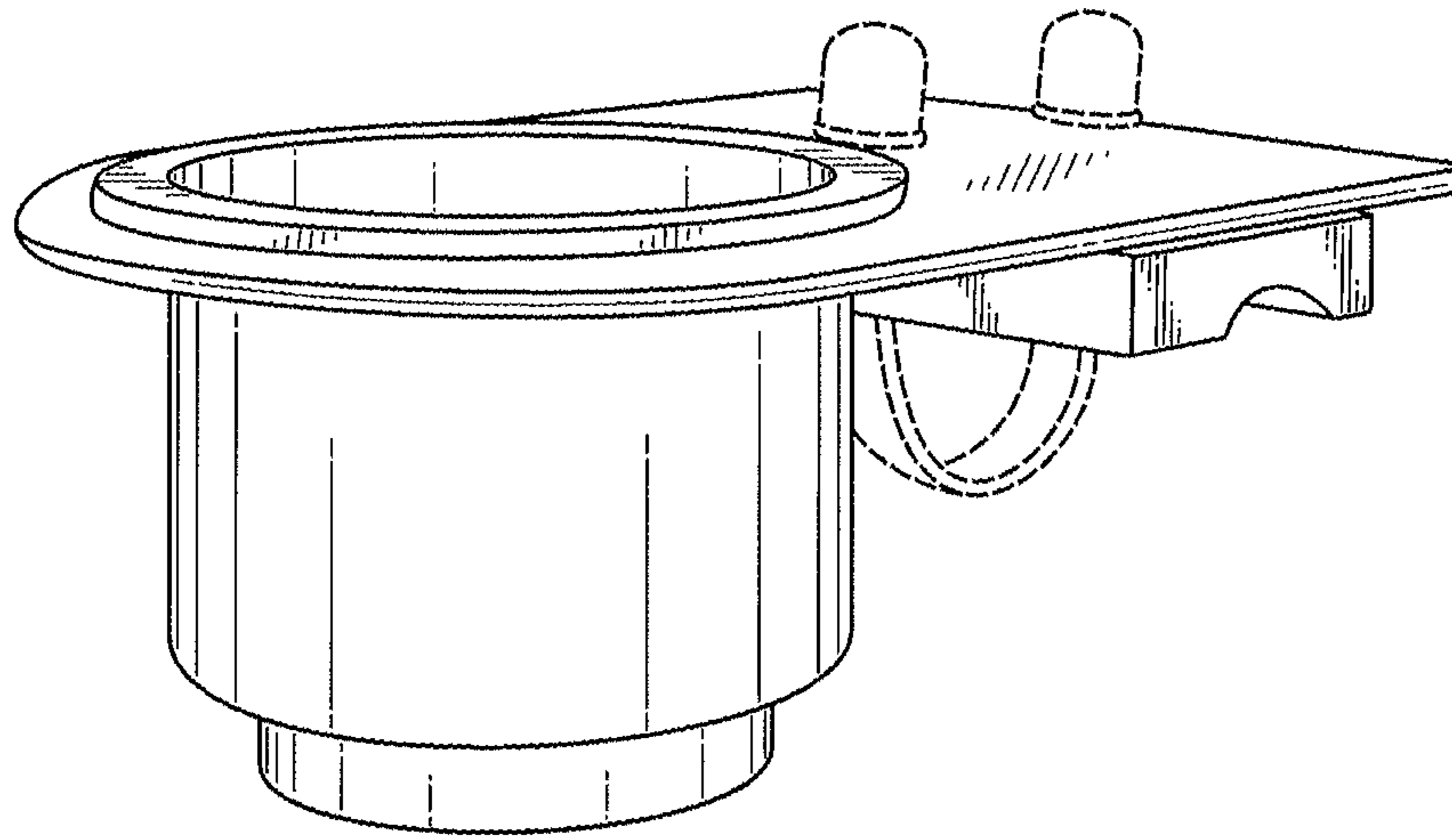


FIG. 1

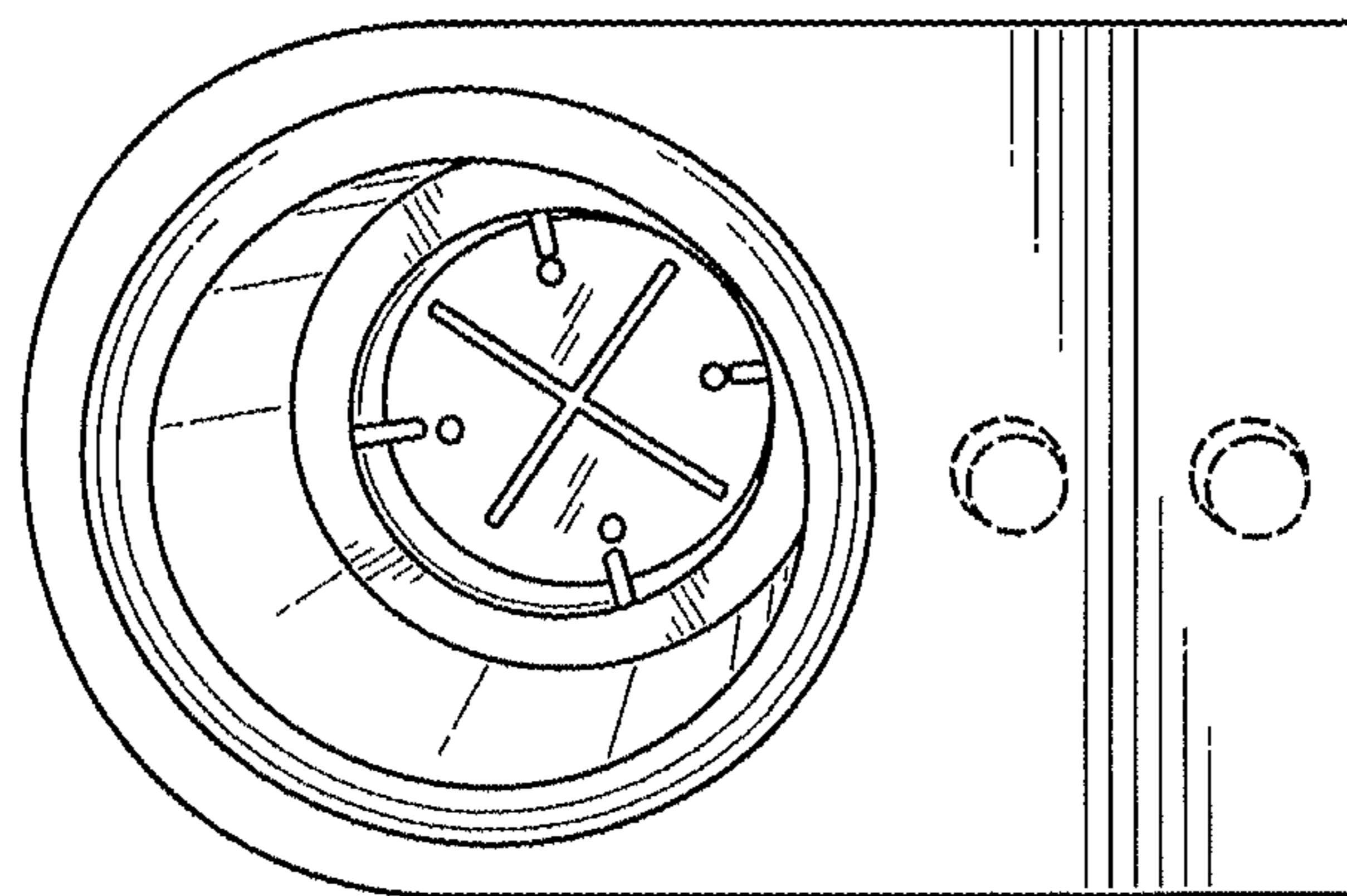


FIG. 2

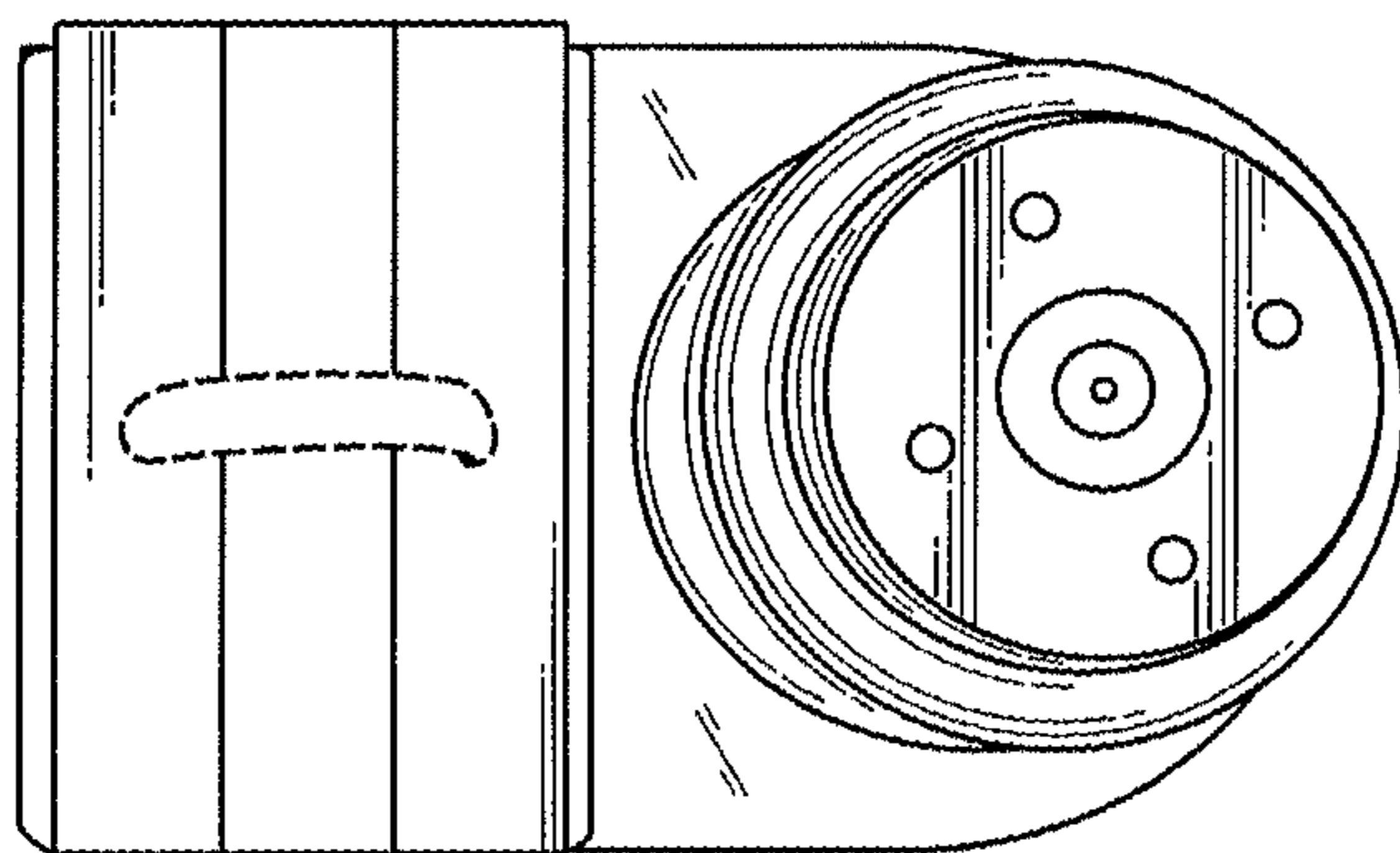


FIG. 3

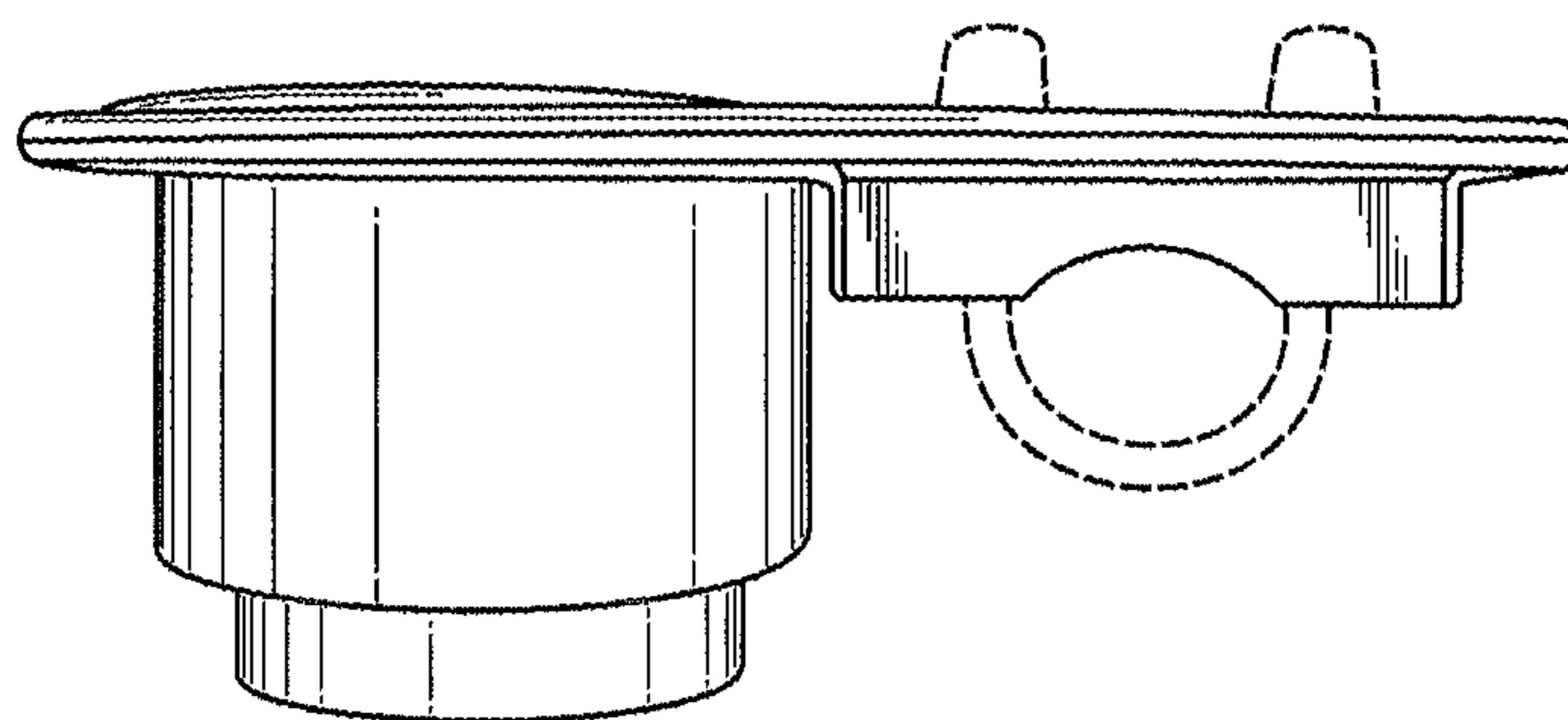


FIG. 4

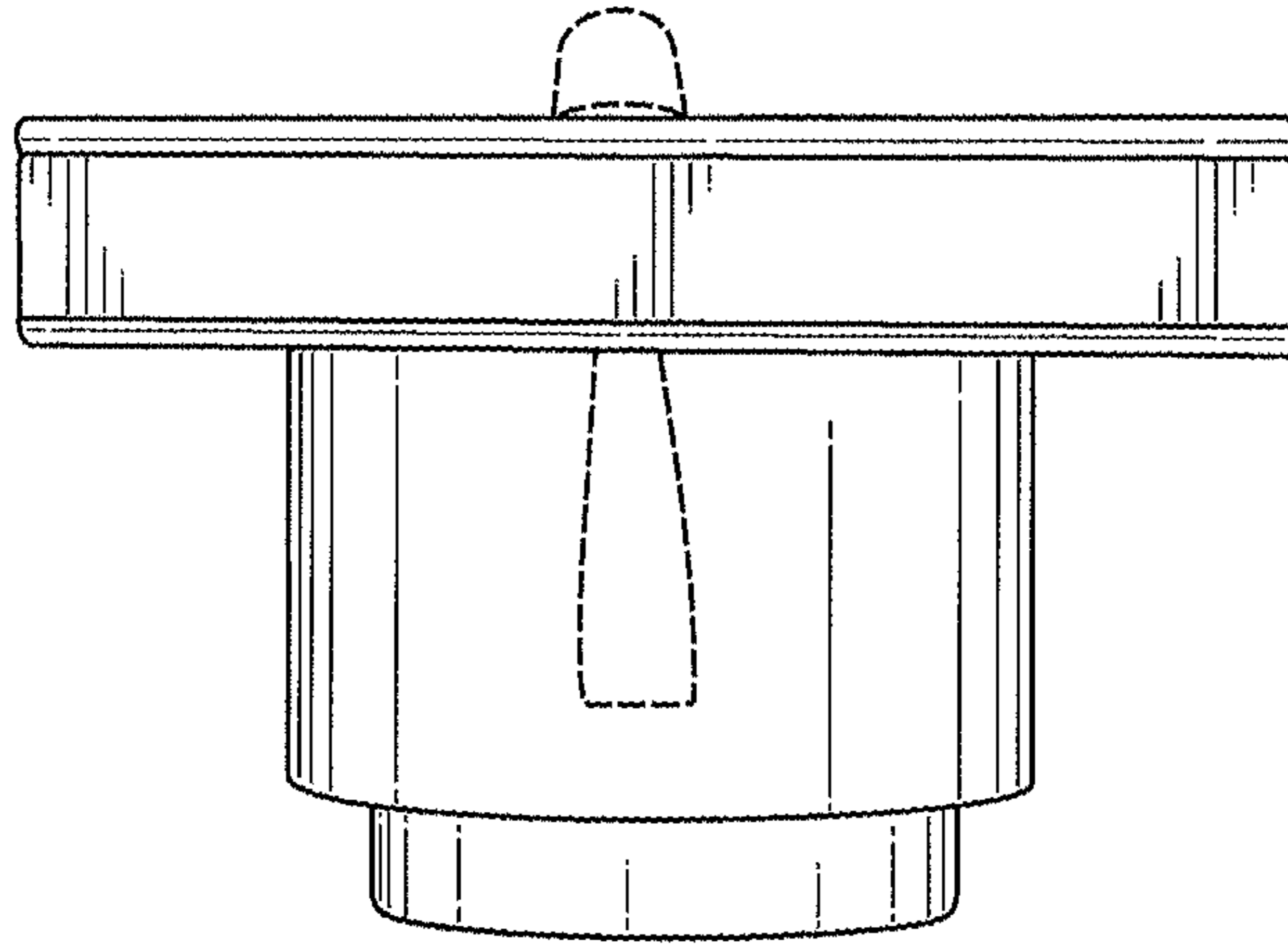


FIG. 5

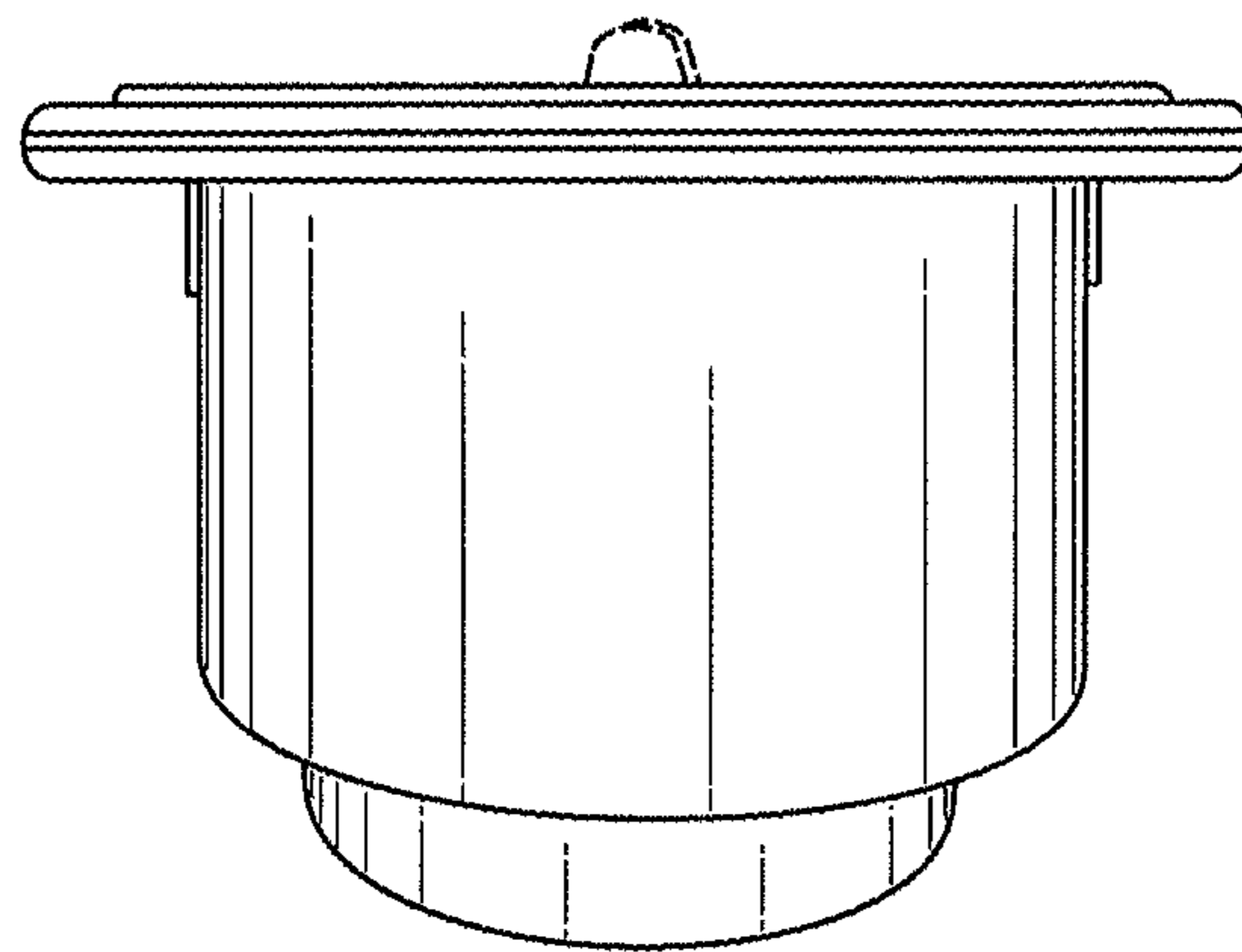


FIG. 6