



US00D776985S

(12) **United States Design Patent**
Kim et al.

(10) **Patent No.:** **US D776,985 S**
(45) **Date of Patent:** **** Jan. 24, 2017**

(54) **FOOD STORAGE CONTAINER FOR REFRIGERATOR**

(71) Applicant: **Samsung Electronics Co., Ltd.**,
Suwon-si (KR)

(72) Inventors: **Ae-Ryun Kim**, Ansan-si (KR); **Seon-Ju Lee**, Seoul (KR); **Min-Kyung Choi**, Seoul (KR); **Sun-Min Lee**, Seoul (KR)

(73) Assignee: **Samsung Electronics Co., Ltd.**,
Gyeonggi-do (KR)

(**) Term: **14 Years**

(21) Appl. No.: **29/504,659**

(22) Filed: **Oct. 8, 2014**

(30) **Foreign Application Priority Data**

Apr. 8, 2014 (KR) 30-2014-0017500

(51) **LOC (10) Cl.** **07-01**

(52) **U.S. Cl.**
USPC **D7/602**; D15/89

(58) **Field of Classification Search**
USPC D7/629, 550.1, 551.1, 552.1, 552.2, D7/553.1, 553.2, 553.3, 553.4, 553.5, D7/553.7, 554.2, 555, 556, 601, 602, 603, D7/604, 605, 606, 612, 613, 701, 705, D7/706, 708, 323, 324, 326, 331, 332, D7/337, 339, 340, 341, 346, 347, 350.1, D7/350.3, 352, 354, 355, 356, 357, 360, D7/362, 363, 364, 365, 366, 367, 672, D7/630, 538-542, 584, 586, 587, D7/392.1, 709, 609, 619.1, 622; D3/273, D3/201, 206, 276, 283, 284, 302, D3/304-315; D9/500, 501, 414, 424, 425, D9/430-432; D6/512, 513, 524-525, 552, D6/567; D32/37; D15/89, 90
CPC A47J 36/24; A47J 36/26; A47J 36/2405; A47J 36/00; A47J 36/12; A47J 39/00; A47J 39/02; A47J 27/004; A47J 27/18; A47J 27/14; A47J 27/06; F24C

7/006;B65D 7/00; B65D 7/02; B65D 7/12; B65D 7/42; B65D 11/00; B65D 11/02; B65D 15/00; B65D 15/02; B65D 15/22; B65D 15/24; B65D 15/10; B65D 15/14; B65D 21/00; B65D 21/02; B65D 21/08; B65D 21/0209; B65D 21/0233; B65D 21/0234; B65D 2543/00; B65D 2543/00277; B65D 2543/00324; B65D 2543/00444; B65D 2588/00; B65D 2588/02; B65D 2588/16; B65D 2588/74; B65D 43/162; B65D 81/02; B65D 81/3813

See application file for complete search history.

(56) **References Cited**

U.S. PATENT DOCUMENTS

3,170,594	A *	2/1965	Nascher	B65D 21/045 206/507
3,379,339	A *	4/1968	Asenbauer	B65D 21/046 206/506
D234,679	S *	4/1975	Hirota	D3/311
D246,287	S *	11/1977	Tietz	D3/311
D246,872	S *	1/1978	White	D3/304
D251,480	S *	4/1979	Cherry	D3/314
D271,469	S *	11/1983	Dep	D3/314
D326,345	S *	5/1992	Mandell	D3/312
D330,130	S *	10/1992	Evans	100/34
D344,838	S *	3/1994	Hakansson	D3/304
D351,284	S *	10/1994	Kruger	D3/304
D357,120	S *	4/1995	Miller	D3/312
D363,662	S *	10/1995	Plater	D3/304
D366,363	S *	1/1996	Berggren	D3/314

(Continued)

Primary Examiner — Ian Simmons

Assistant Examiner — Shannon Morgan

(74) *Attorney, Agent, or Firm* — Cantor Colburn LLP

(57) **CLAIM**

The ornamental design for a food storage container for refrigerator, as shown and described.

DESCRIPTION

FIG. 1 is a perspective view of a food storage container for refrigerator, showing our new design;

(Continued)

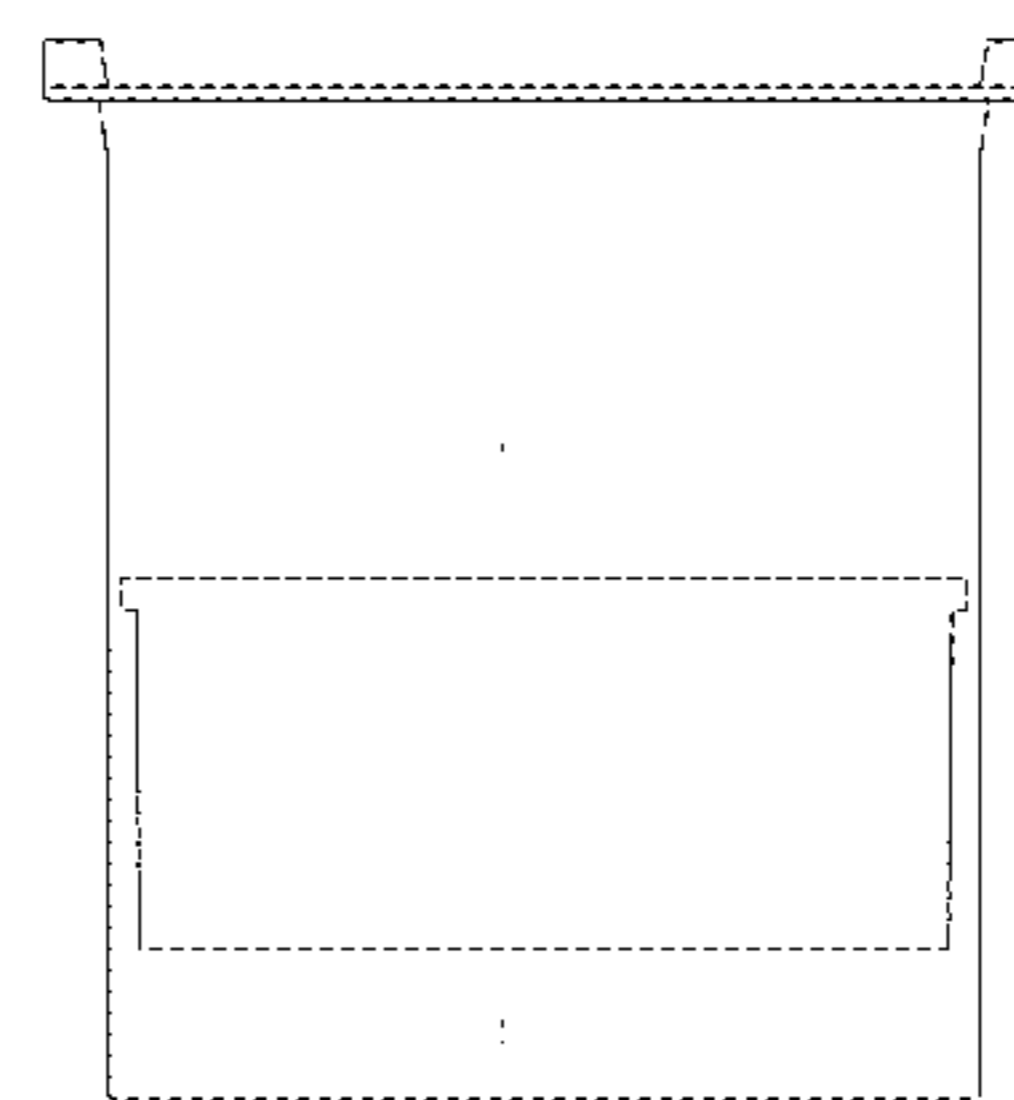
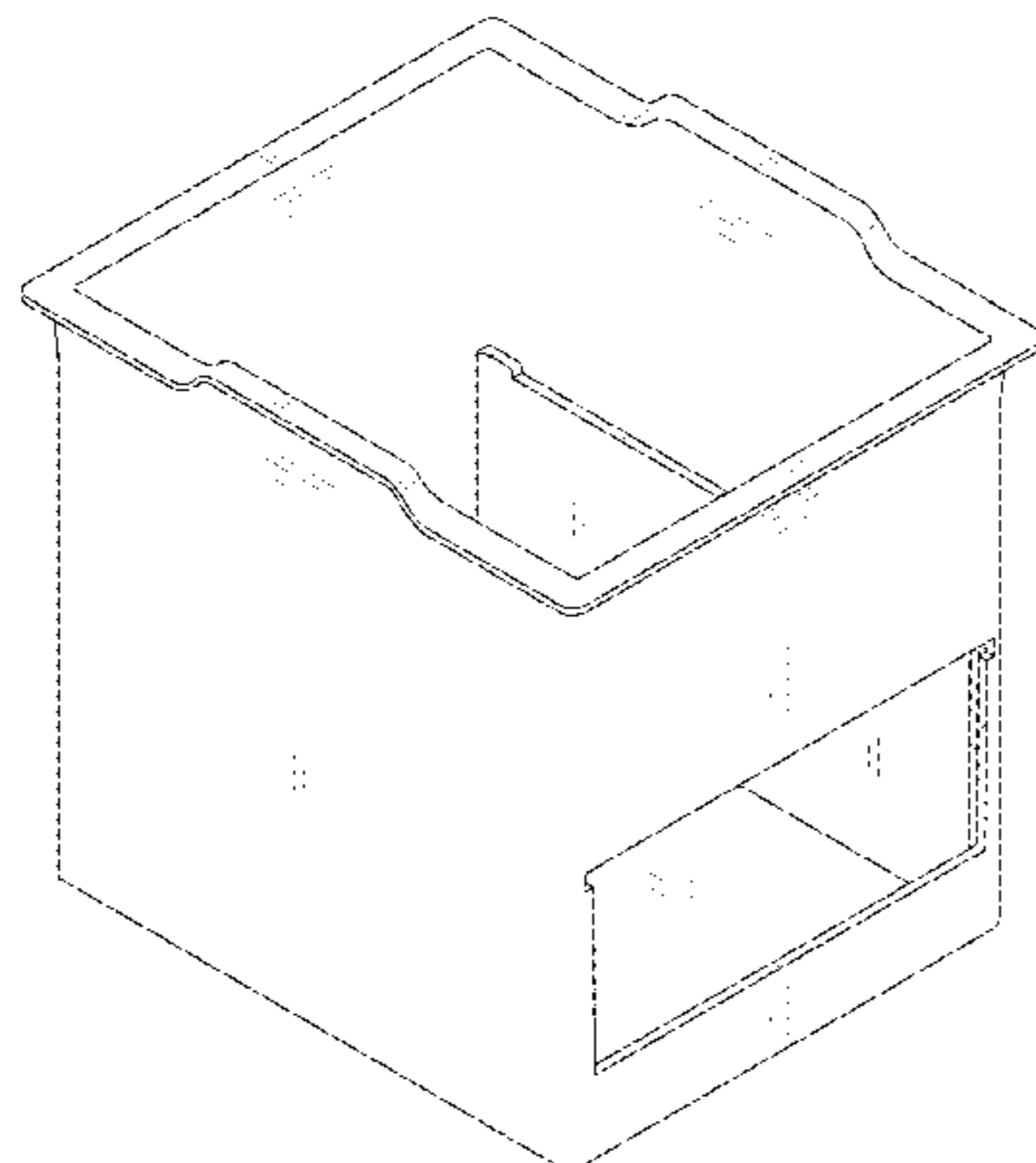


FIG. 2 is a front view thereof;
FIG. 3 is a rear view thereof;
FIG. 4 is a side view thereof;
FIG. 5 is a another side view thereof;
FIG. 6 is a top view thereof; and,
FIG. 7 is a bottom view thereof.

1 Claim, 7 Drawing Sheets

(56)

References Cited

U.S. PATENT DOCUMENTS

D382,176 S * 8/1997 Armitage D7/619.1
D395,756 S * 7/1998 Tanji D3/304
D398,151 S * 9/1998 Ahern, Jr. D3/304

D404,571 S * 1/1999 Evans D3/312
D420,799 S * 2/2000 Douglas D3/304
D475,854 S * 6/2003 Caponey D3/314
D486,644 S * 2/2004 Claypool D3/304
D494,759 S * 8/2004 Louie D3/304
D495,448 S * 8/2004 Moforis D28/61
D495,490 S * 9/2004 Garrett D3/304
D495,491 S * 9/2004 Ramirez D3/304
D549,454 S * 8/2007 Ahman D3/304
D596,857 S * 7/2009 Ahlgrim D3/307
D600,017 S * 9/2009 Christie D3/304
D602,255 S * 10/2009 Ahlgrim D3/304
D659,400 S * 5/2012 Kraemer D3/304
D718,616 S * 12/2014 Palmer D9/416
D734,610 S * 7/2015 Christie D3/304
D746,593 S * 1/2016 Kroll D3/307
D753,918 S * 4/2016 Lindsay D19/86
D762,387 S * 8/2016 Green D3/304

* cited by examiner

FIG. 1

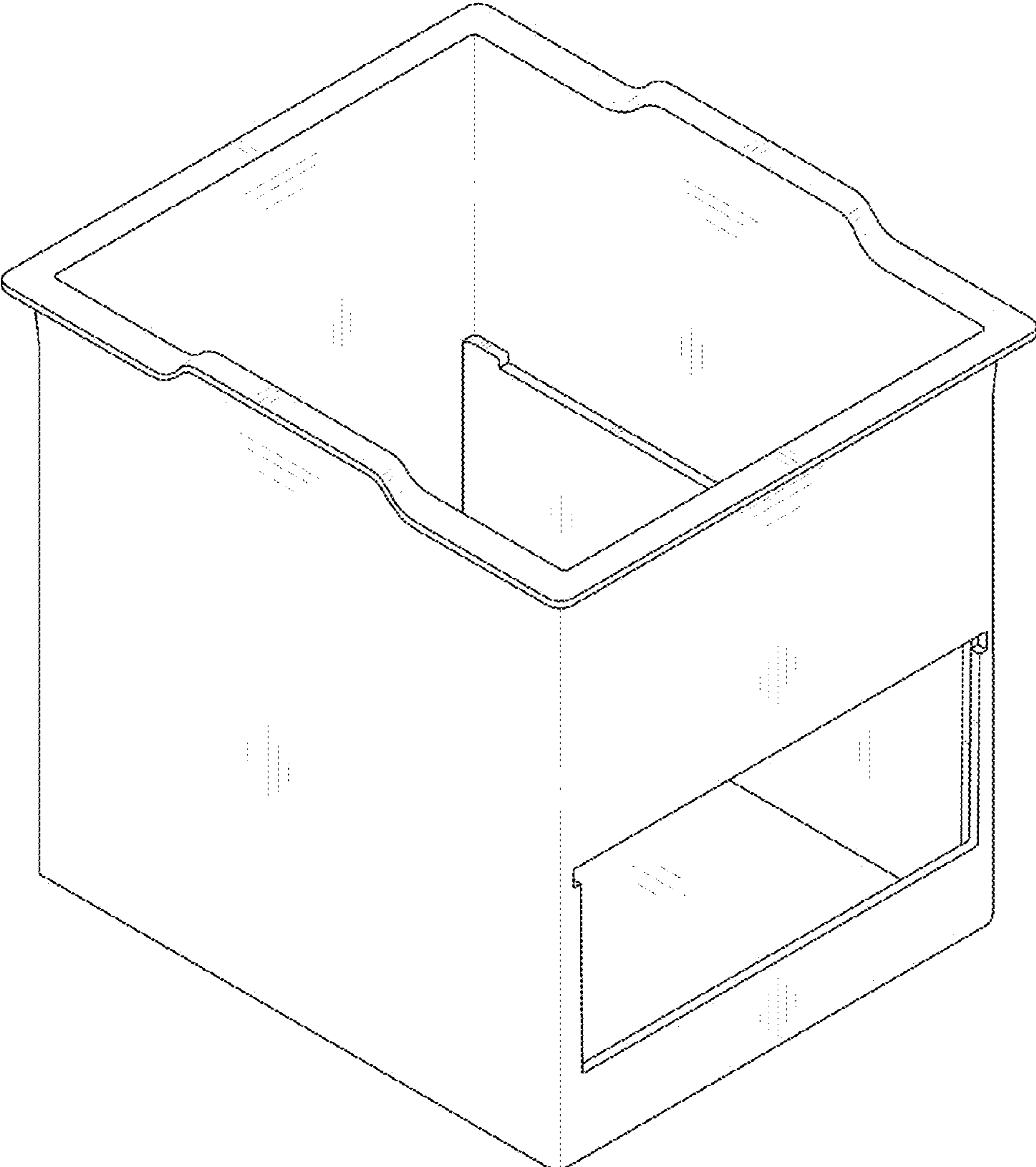


FIG. 2

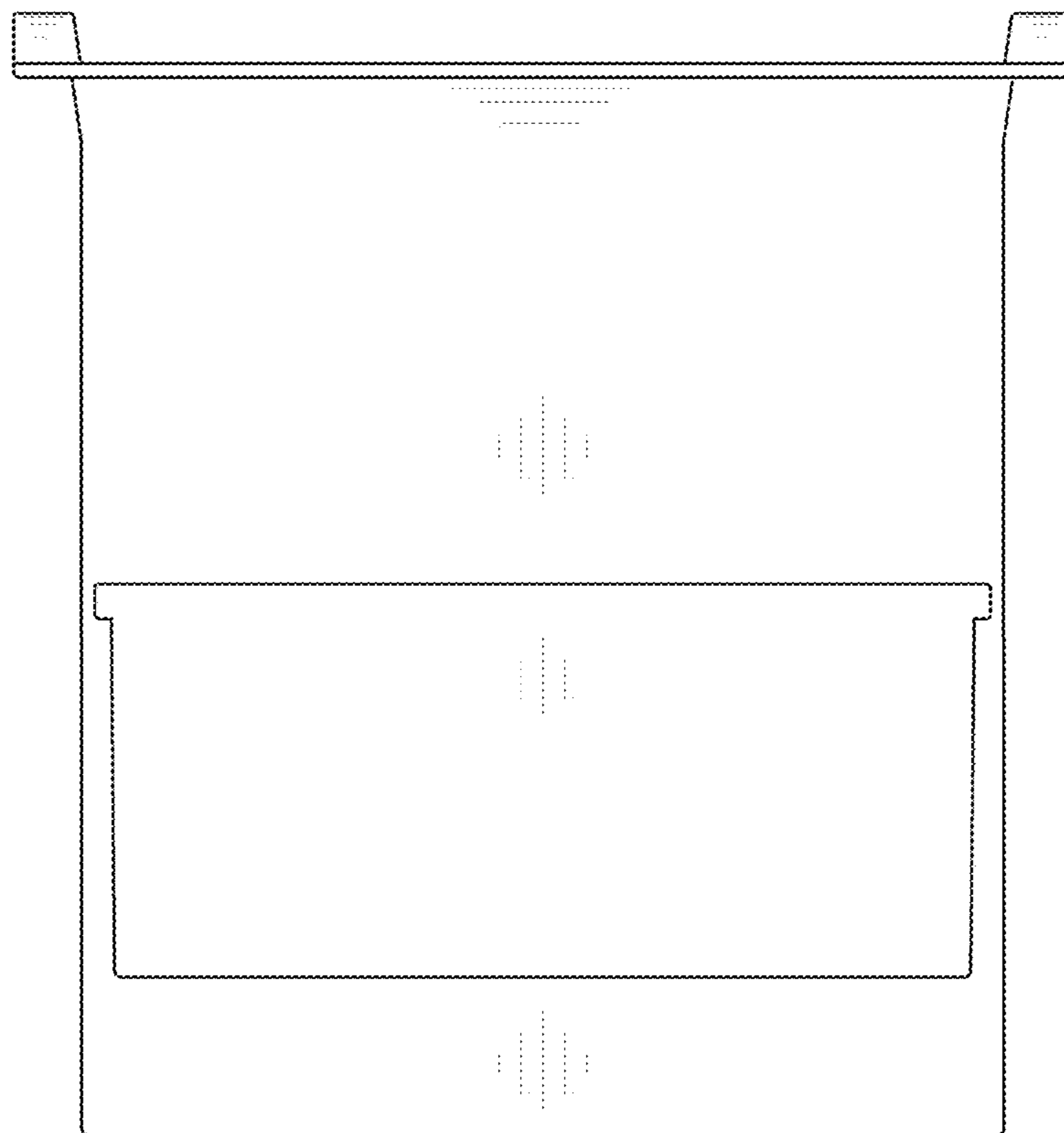


FIG. 3

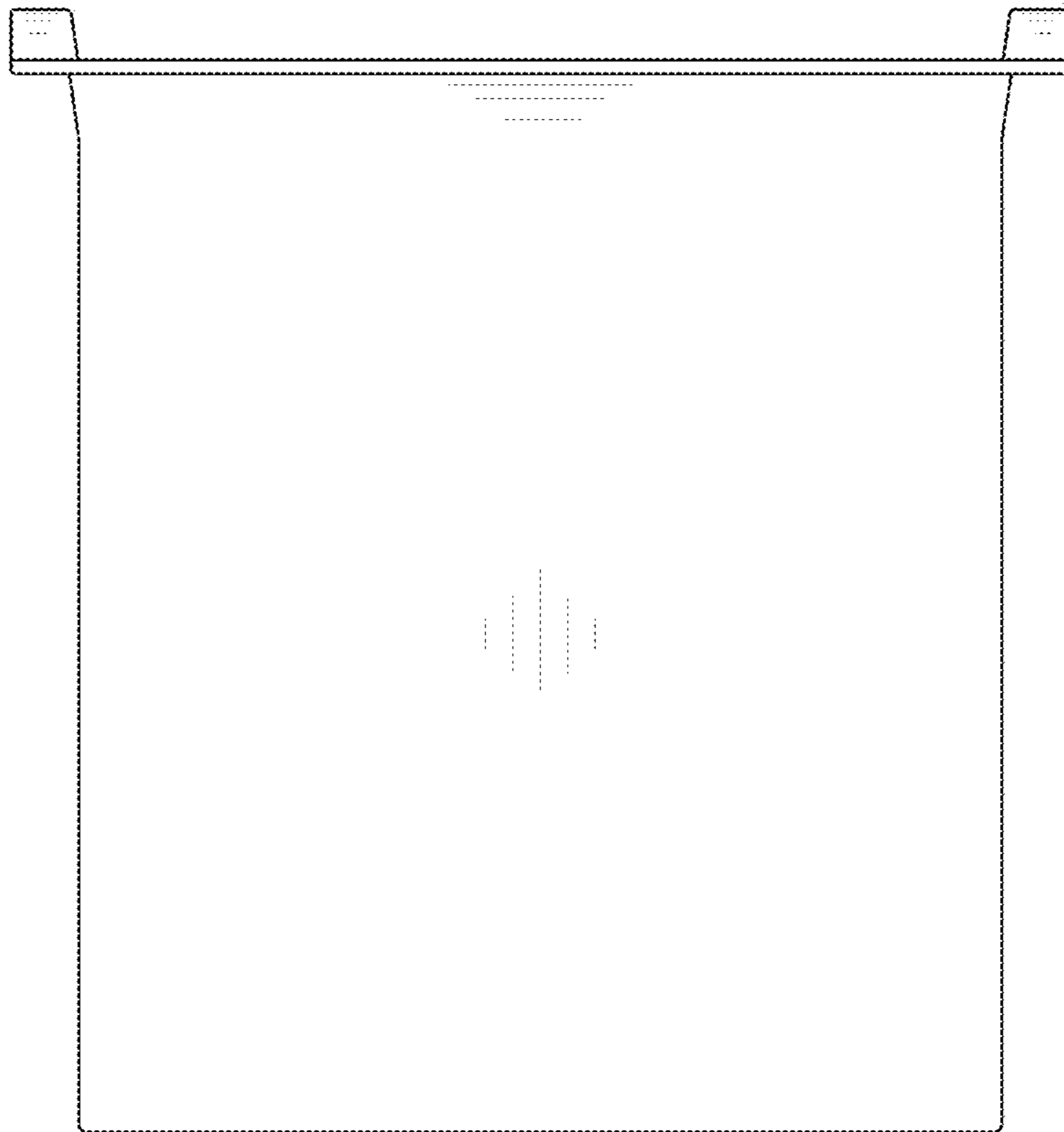


FIG. 4

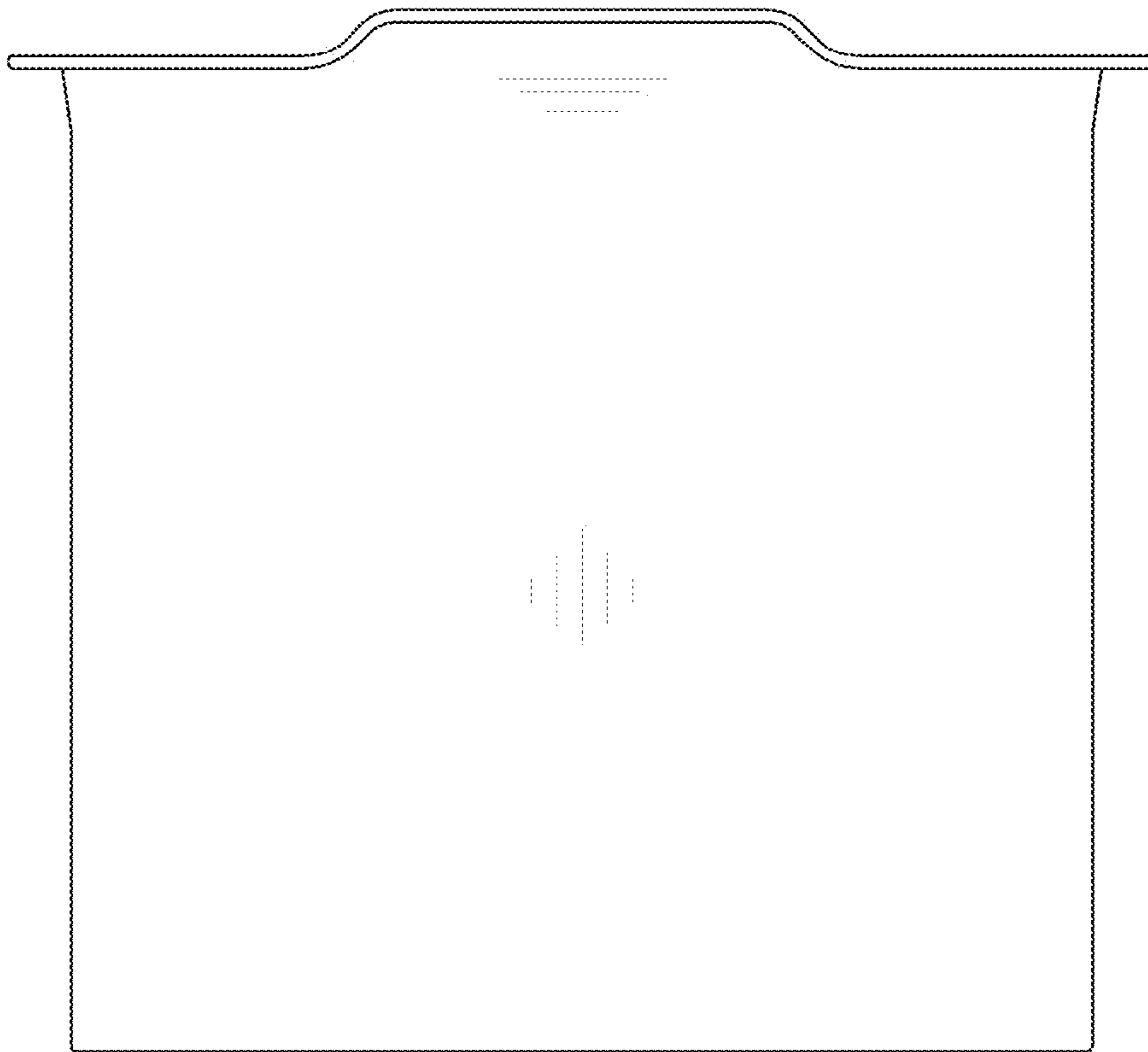


FIG. 5

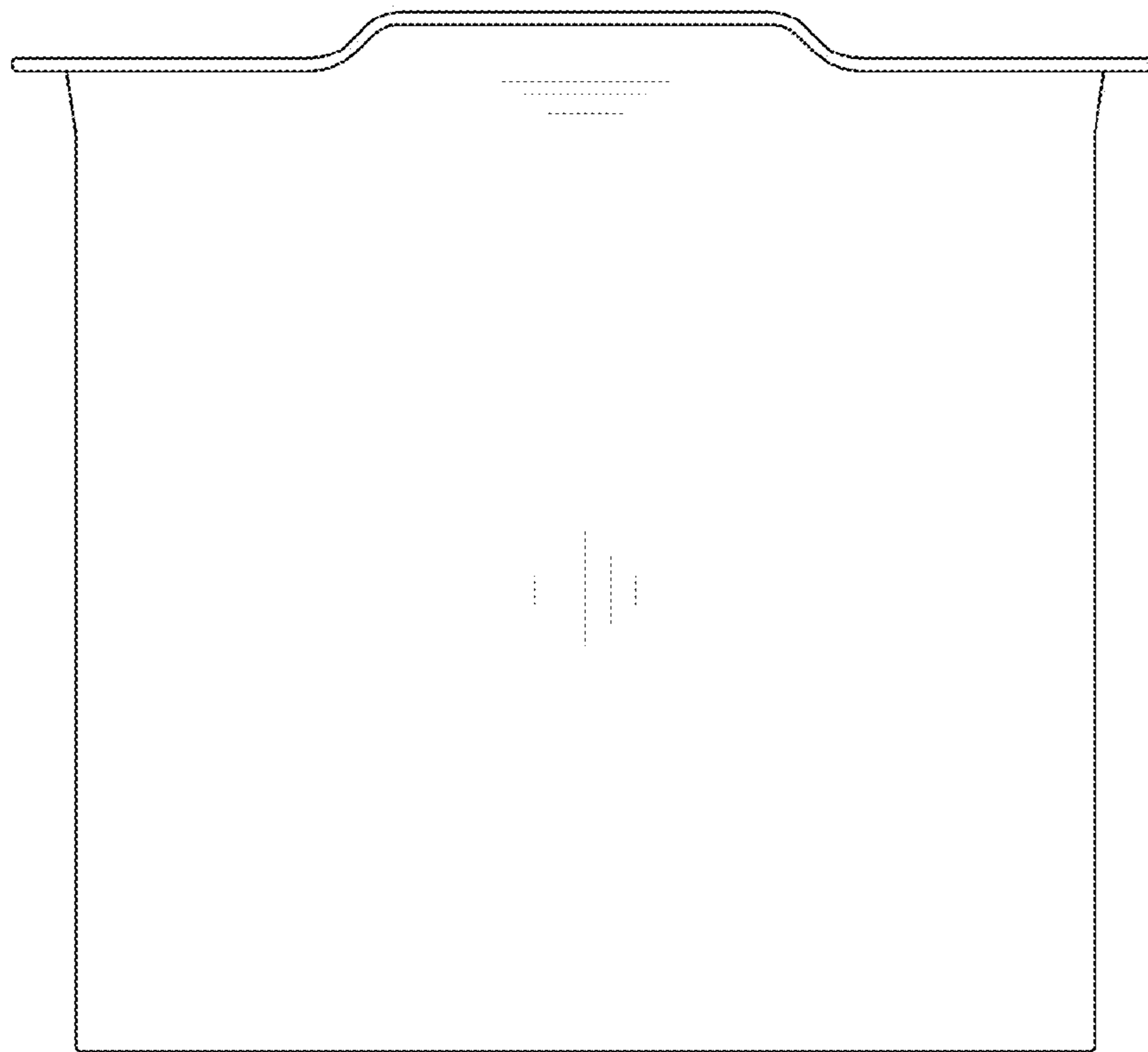


FIG. 6

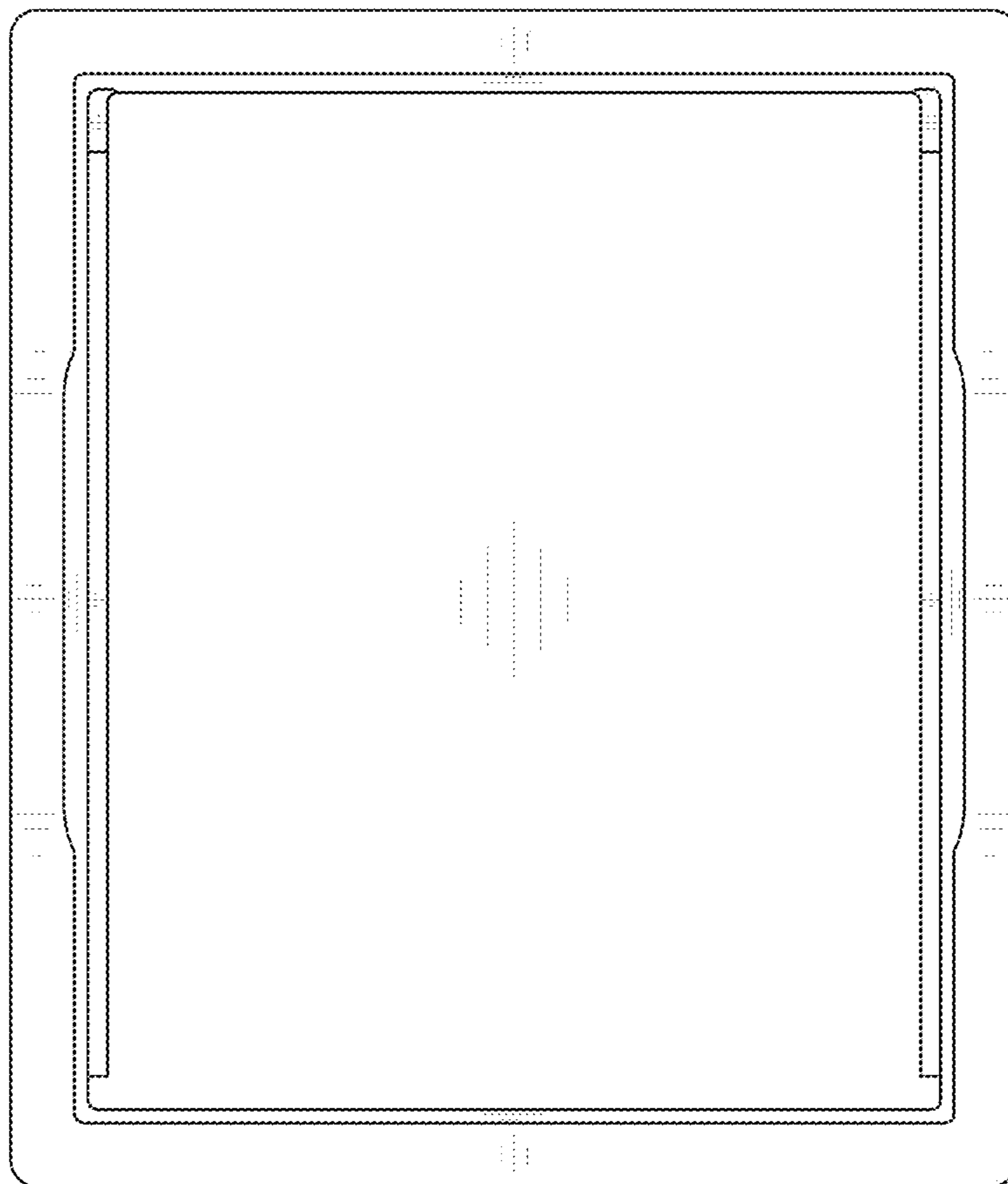


FIG. 7

