



US00D776983S

(12) **United States Design Patent**
Bruce

(10) **Patent No.:** **US D776,983 S**

(45) **Date of Patent:** **** Jan. 24, 2017**

(54) **COOKING LID HOLDER**
(71) Applicant: **Malcolm Bruce**, Lake City, FL (US)
(72) Inventor: **Malcolm Bruce**, Lake City, FL (US)

5,000,326 A 3/1991 Vaughn
D364,074 S * 11/1995 Yeh D6/678.4
5,660,284 A 8/1997 Vaughn
5,979,673 A * 11/1999 Dooley A47J 47/16
211/41.11
D500,638 S 1/2005 Srivastava
6,997,329 B2 * 2/2006 Ohanian A47J 47/16
211/181.1
7,007,808 B2 3/2006 Morgan
7,997,429 B2 * 8/2011 Anker A47J 47/16
211/186
8,479,926 B1 7/2013 Blaisdell

(**) Term: **14 Years**

(21) Appl. No.: **29/524,638**

(22) Filed: **Apr. 22, 2015**

(51) **LOC (10) Cl.** **07-99**

(52) **U.S. Cl.**
USPC **D7/601**

(58) **Field of Classification Search**
USPC D7/601, 637-641, 701-708; D6/678.4,
D6/680.3, 676.5, 677.5
CPC A47F 7/0064; A47F 5/01; A47J 47/20;
A47J 36/34; A47J 47/16; F16M 13/00
See application file for complete search history.

* cited by examiner

Primary Examiner — Terry Wallace

(57) **CLAIM**

The ornamental design for a cooking lid holder, as shown and described.

DESCRIPTION

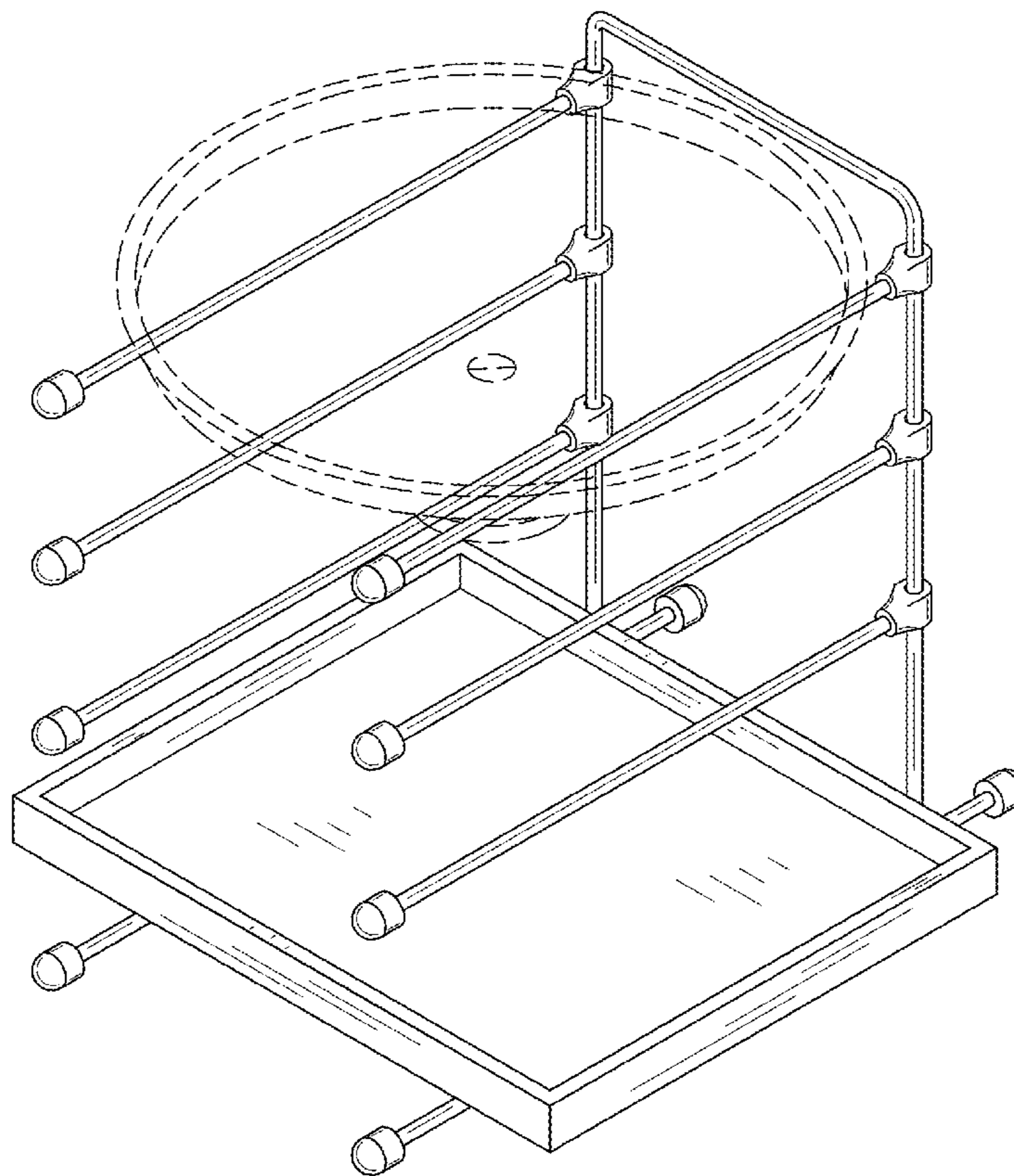
FIG. 1 is a left side view of a cooking lid holder showing my new design, a right side view being a minor image thereof; FIG. 2 is a rear view of the cooking lid holder; FIG. 3 is a front view of the cooking lid holder; FIG. 4 is a top view of the cooking lid holder; FIG. 5 is a bottom view of the cooking lid holder; and, FIG. 6 is a top front side perspective view of the cooking lid holder.

(56) **References Cited**

U.S. PATENT DOCUMENTS

1,065,000 A 6/1913 Sarter
2,634,865 A 4/1953 Geheb
2,934,210 A * 4/1960 Jordan A47J 47/20
211/41.11
2,972,414 A * 2/1961 Sipe A47J 47/16
211/41.11

1 Claim, 6 Drawing Sheets



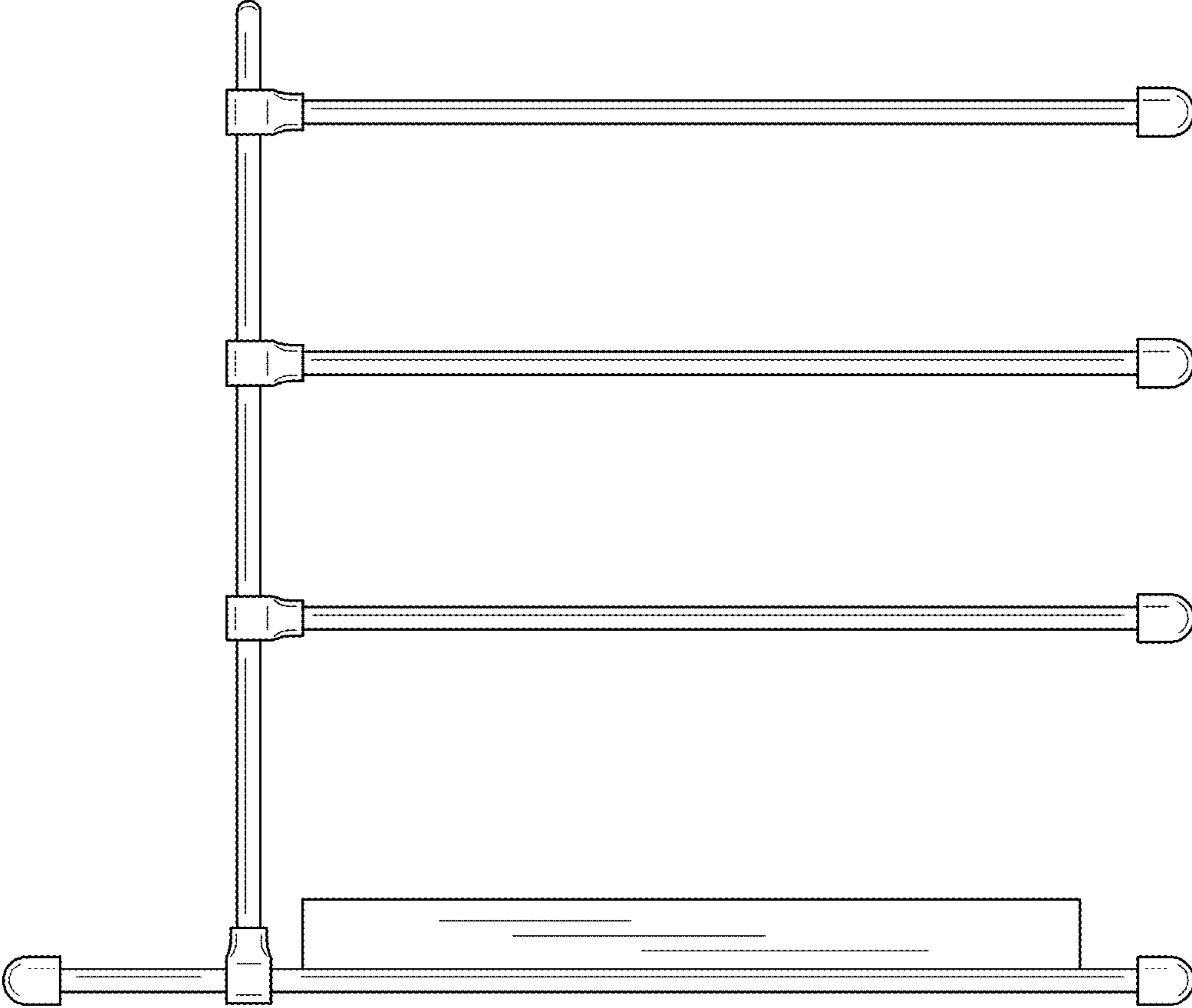


FIG. 1

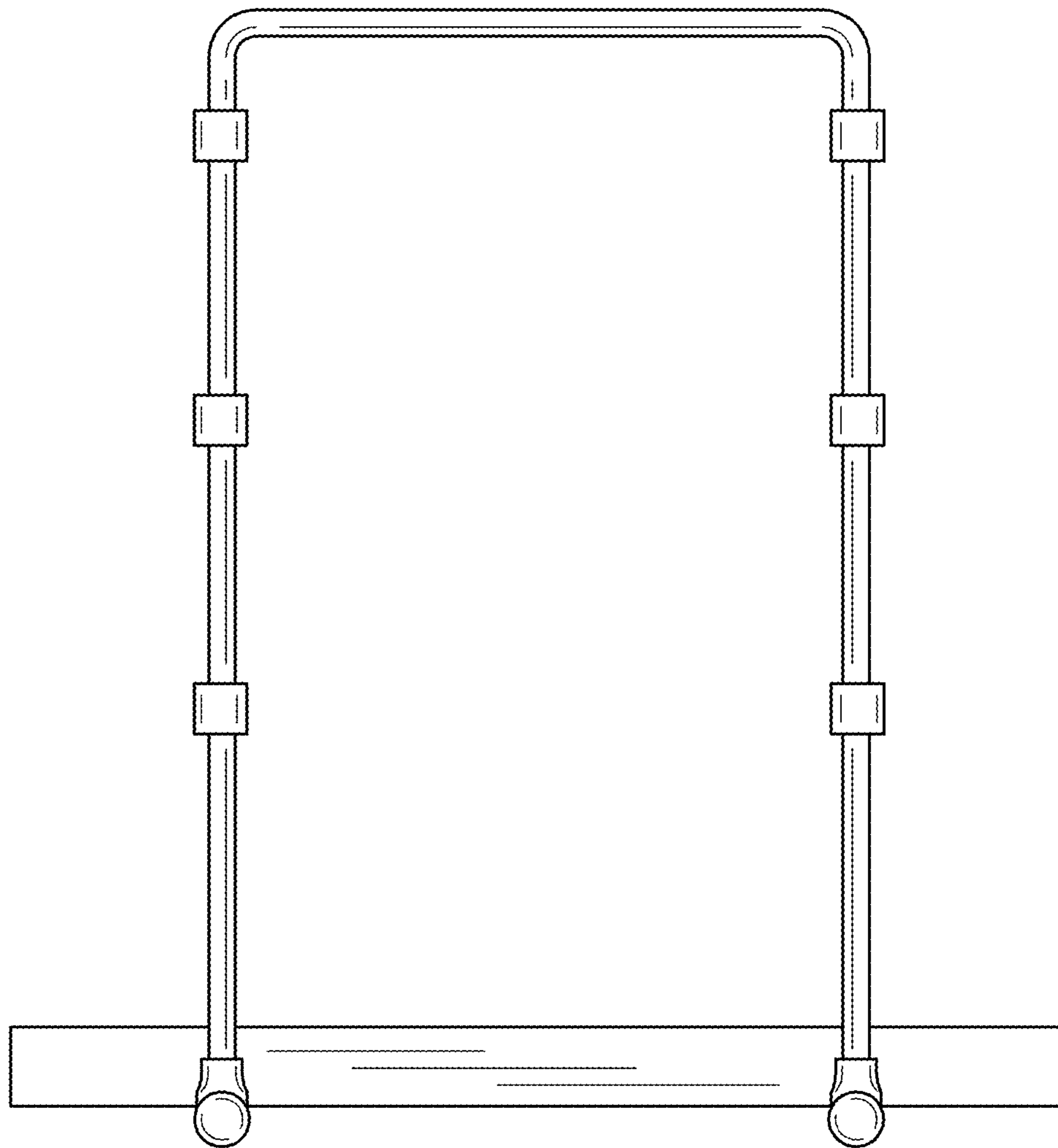


FIG. 2

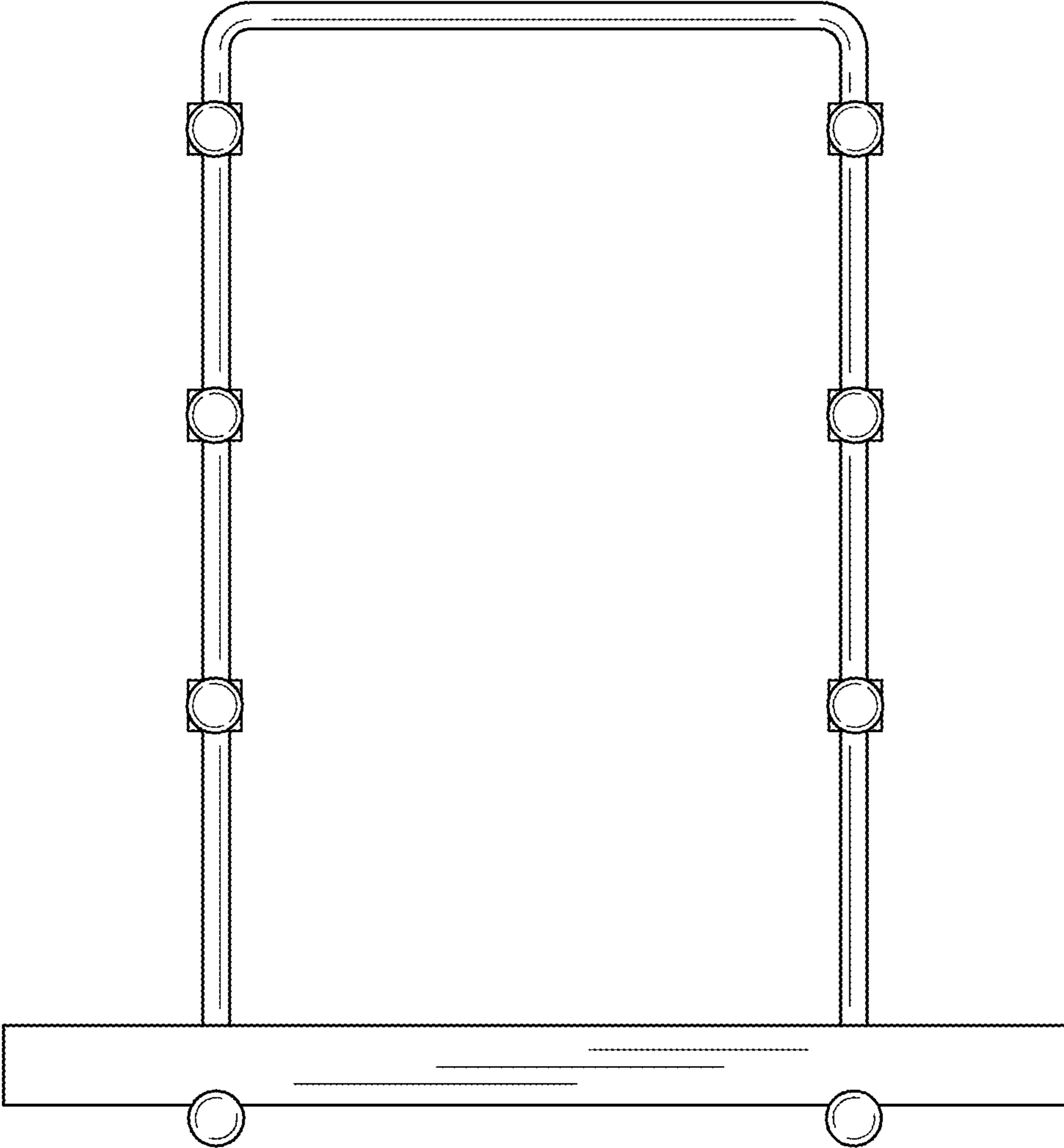


FIG. 3

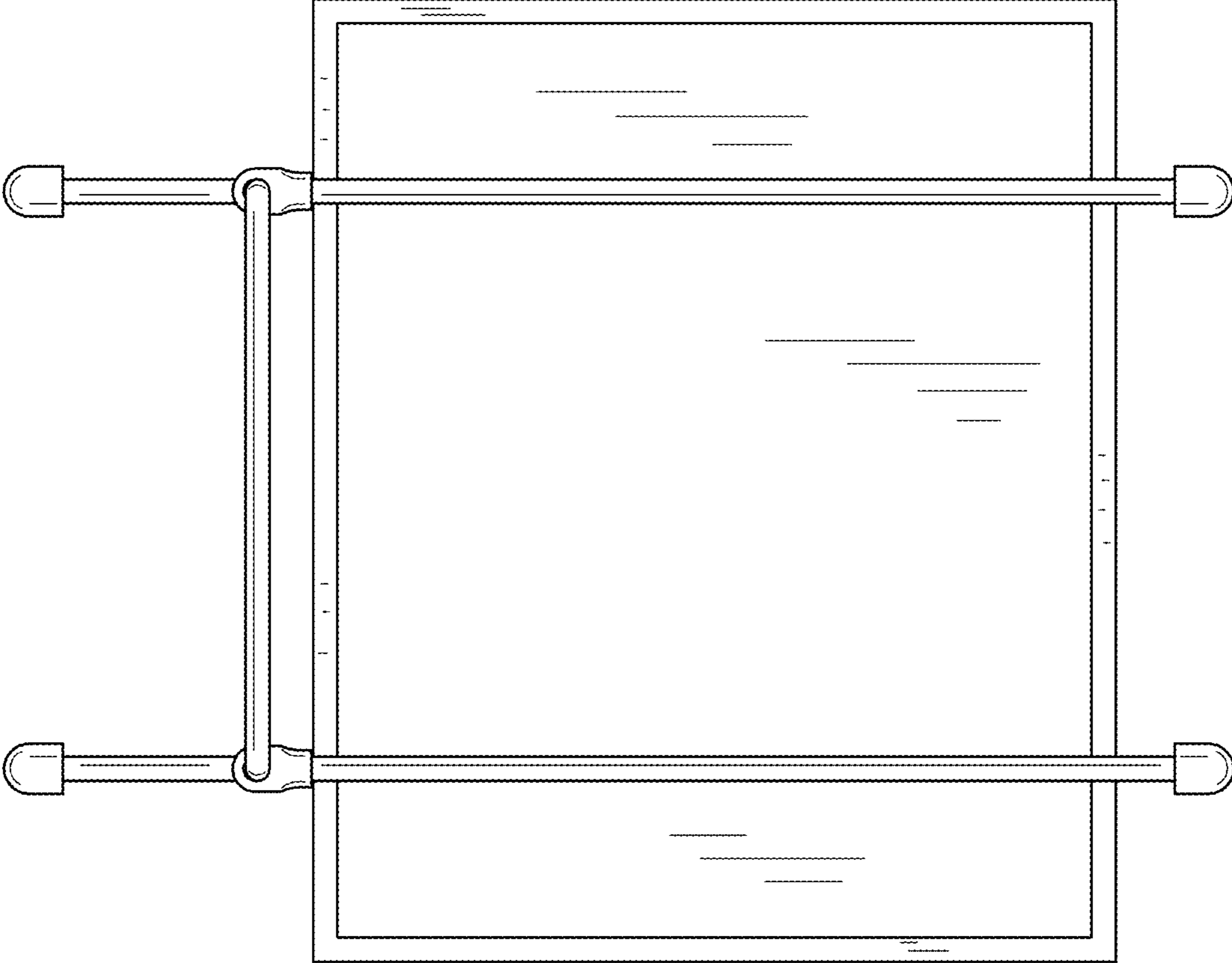


FIG. 4

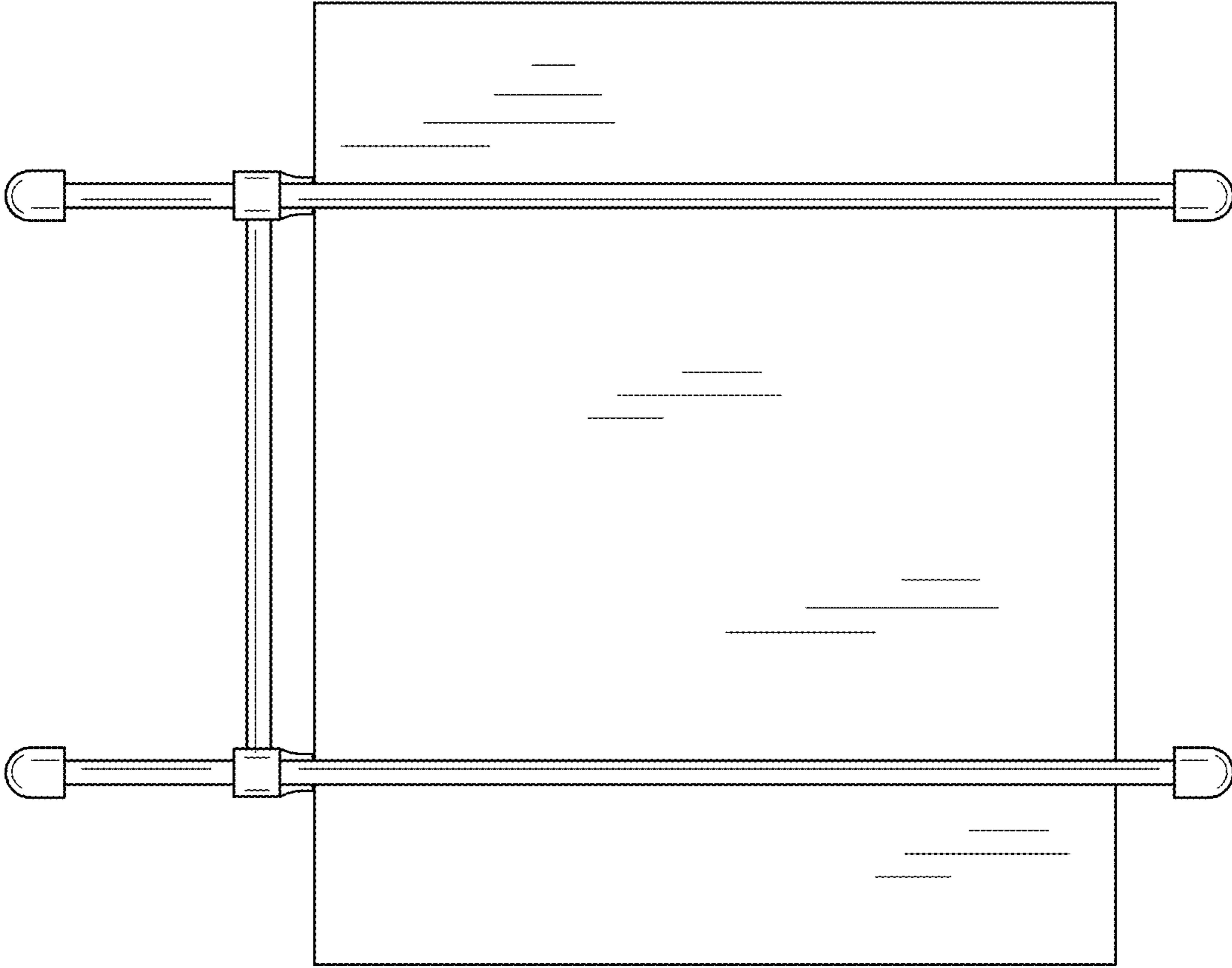


FIG. 5

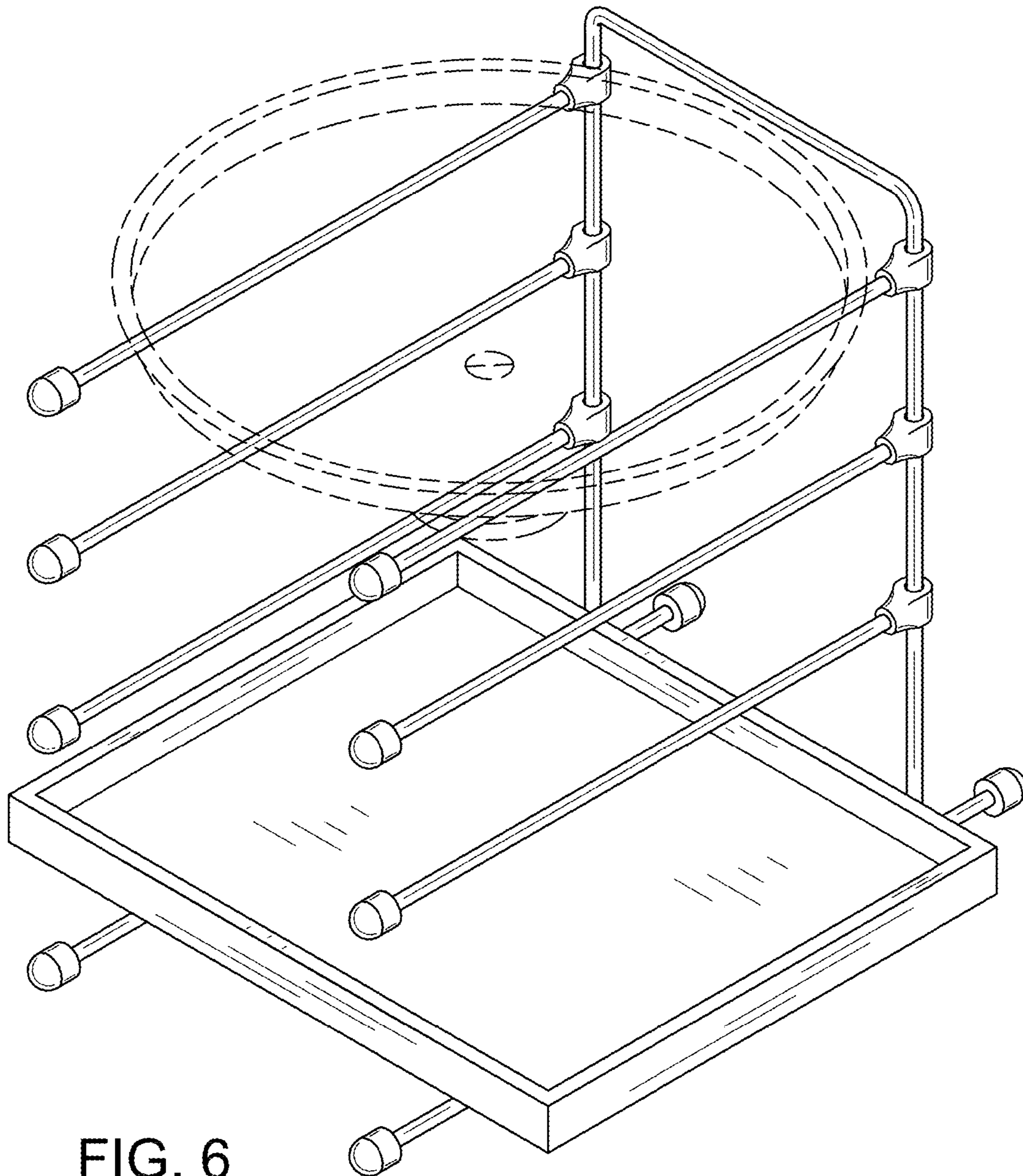


FIG. 6