



US00D776982S

(12) **United States Design Patent** (10) **Patent No.:** **US D776,982 S**  
**Rovetto** (45) **Date of Patent:** **\*\* Jan. 24, 2017**

(54) **CAKE PLATE**

(56) **References Cited**

(71) Applicant: **Kelly Rovetto**, New Orleans, LA (US)

U.S. PATENT DOCUMENTS

(72) Inventor: **Kelly Rovetto**, New Orleans, LA (US)

D168,905 S *	2/1953	O'Connell	.....	D7/355
D186,679 S *	11/1959	Hopcroft	.....	D7/502
D311,302 S *	10/1990	Pozzi	.....	D7/502
D327,201 S *	6/1992	Gecchelin	.....	D7/538
D532,647 S *	11/2006	Wasserman	.....	D7/355
D545,617 S *	7/2007	Wasserman	.....	D7/391
D600,979 S *	9/2009	Chen	.....	D7/538
D674,692 S *	1/2013	Chase	.....	D9/434

(\*\*) Term: **15 Years**

(21) Appl. No.: **29/538,548**

(22) Filed: **Sep. 4, 2015**

\* cited by examiner

(51) **LOC (10) Cl.** ..... **07-01**

*Primary Examiner* — Marianne Pandozzi

(52) **U.S. Cl.**  
USPC ..... **D7/542; D7/538; D7/552.2; D7/558;**  
**D7/502**

(74) *Attorney, Agent, or Firm* — Keaty Law Firm, LLC

(58) **Field of Classification Search**  
USPC ..... **D7/514, 515, 516, 517, 519, 520, 536,**  
**D7/513, 300.2, 518, 521, 510, 507, 531,**  
**D7/558, 502, 355, 366, 629, 538, 539,**  
**D7/552.2, 542, 391, 575, 571; D9/607,**  
**D9/611, 624, 645, 680; 220/700, 228;**  
**D30/129**

(57) **CLAIM**

The ornamental design for a cake plate, as shown and described.

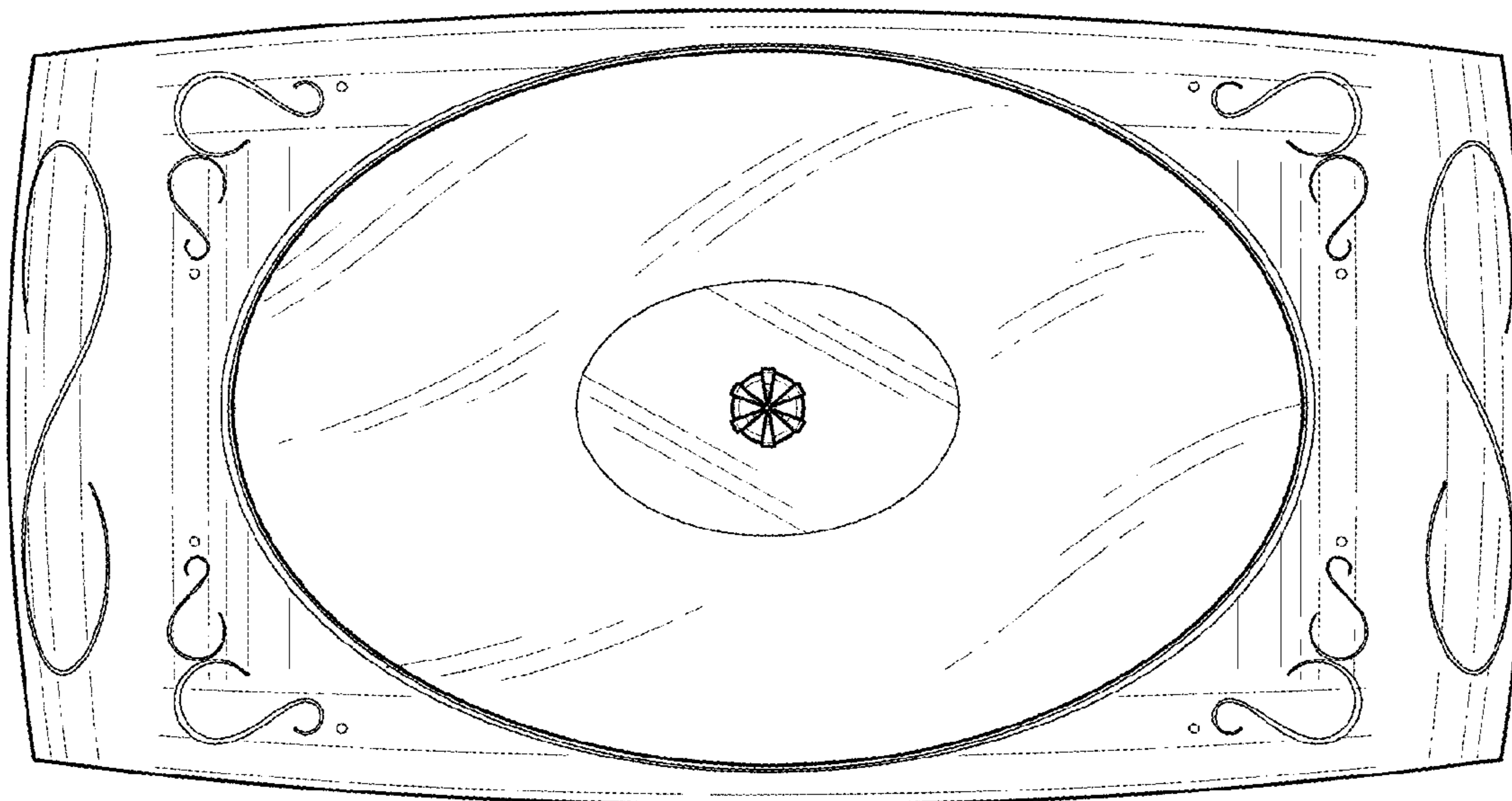
CPC **A47G 19/2227; A47G 19/00; A47G 23/0208;**  
**A47G 19/26; A47G 19/265; A47G**  
**2200/08; A45D 27/14**

**DESCRIPTION**

FIG. 1 is a top plan view of a cake plate showing my new design;  
FIG. 2 is a bottom plan view thereof;  
FIG. 3 is a left side view thereof;  
FIG. 4 is a right side view thereof;  
FIG. 5 is a front view thereof; and,  
FIG. 6 is a rear view thereof.

See application file for complete search history.

**1 Claim, 3 Drawing Sheets**



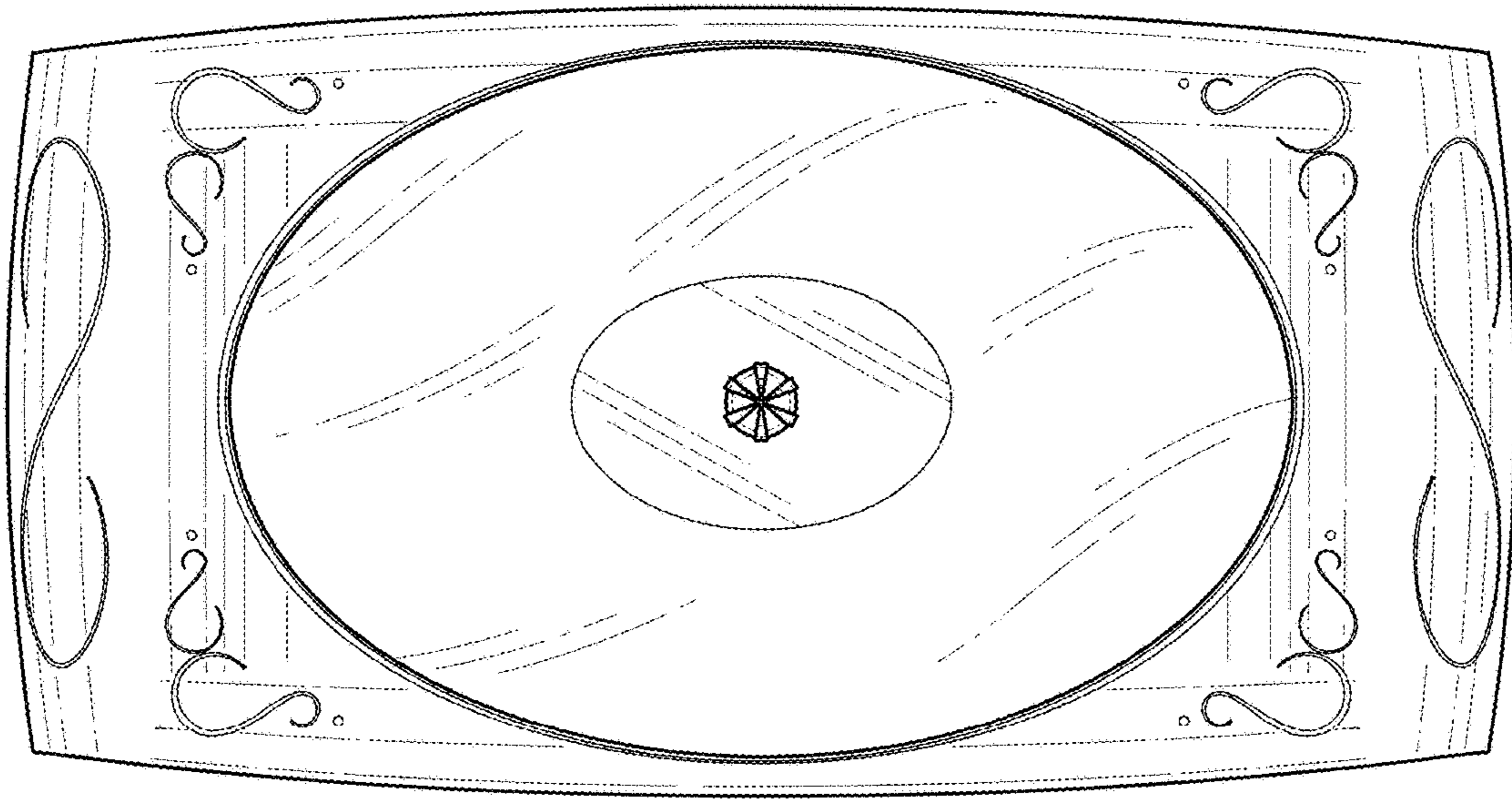


FIG. 1

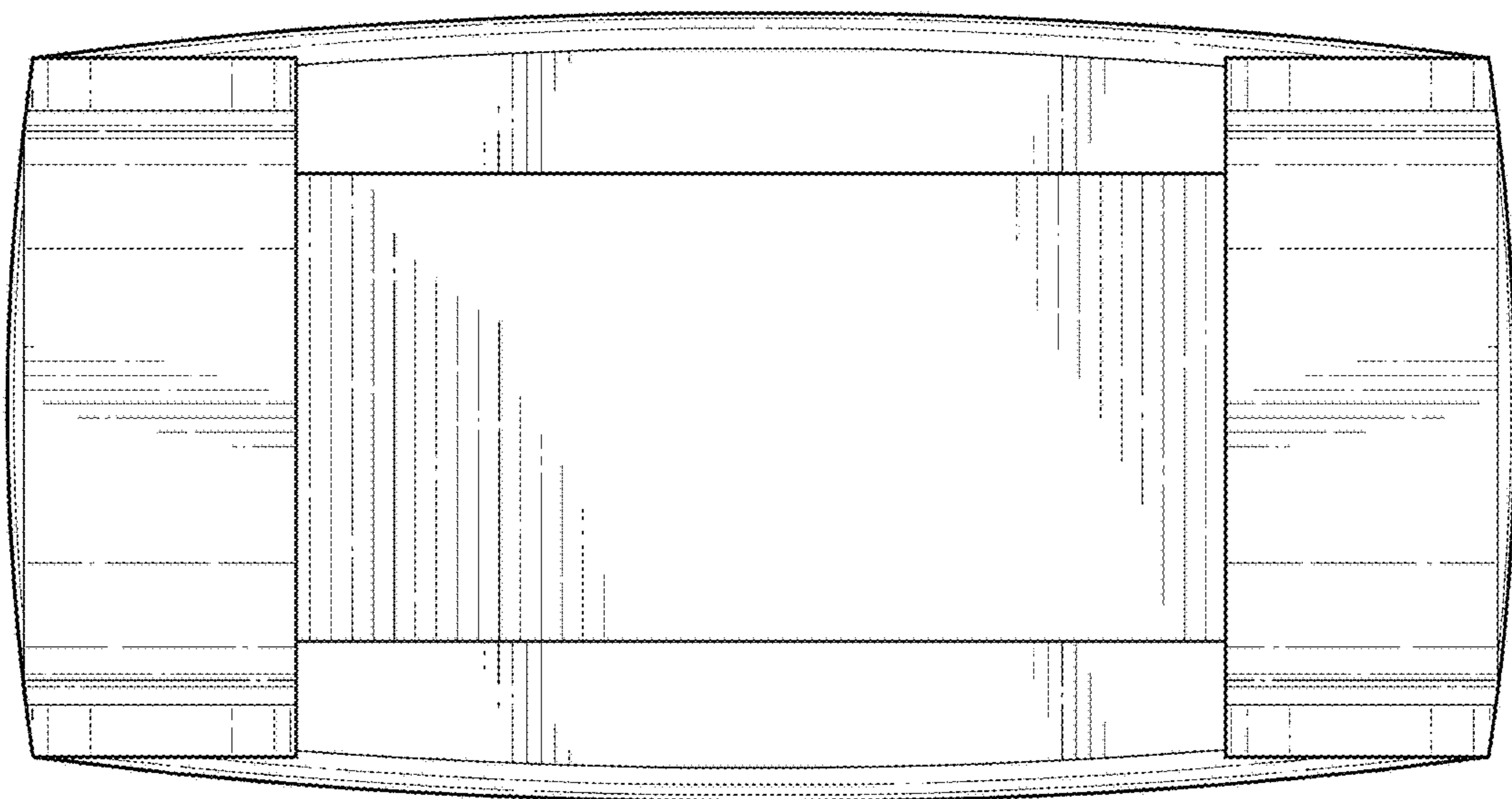


FIG. 2

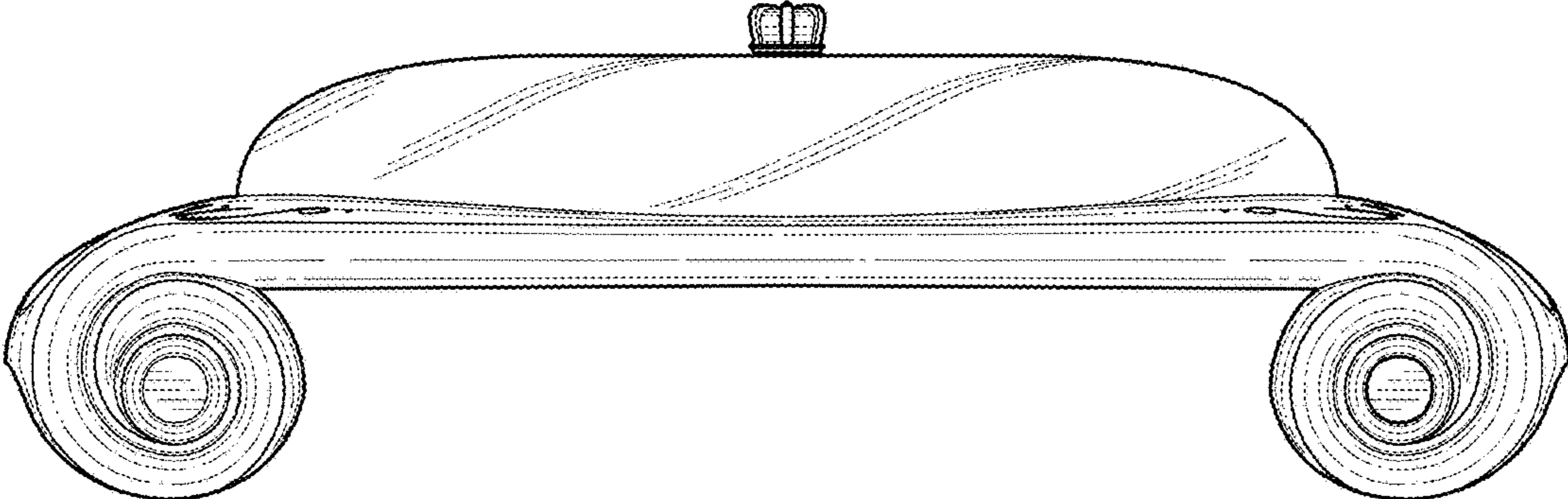


FIG. 3

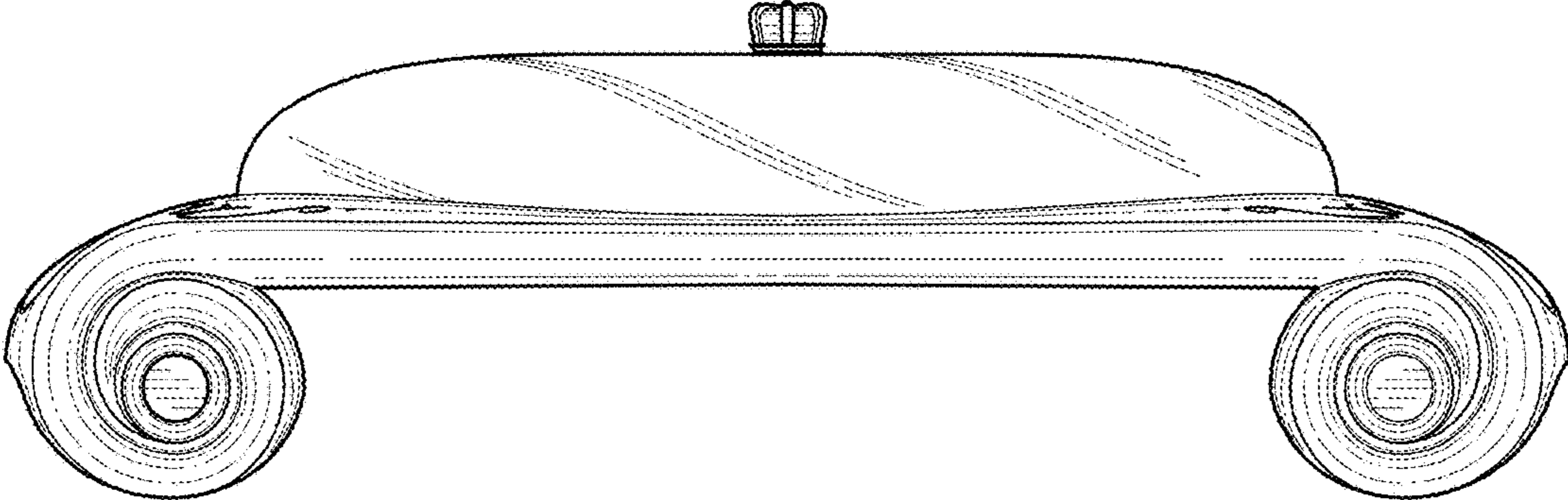


FIG. 4

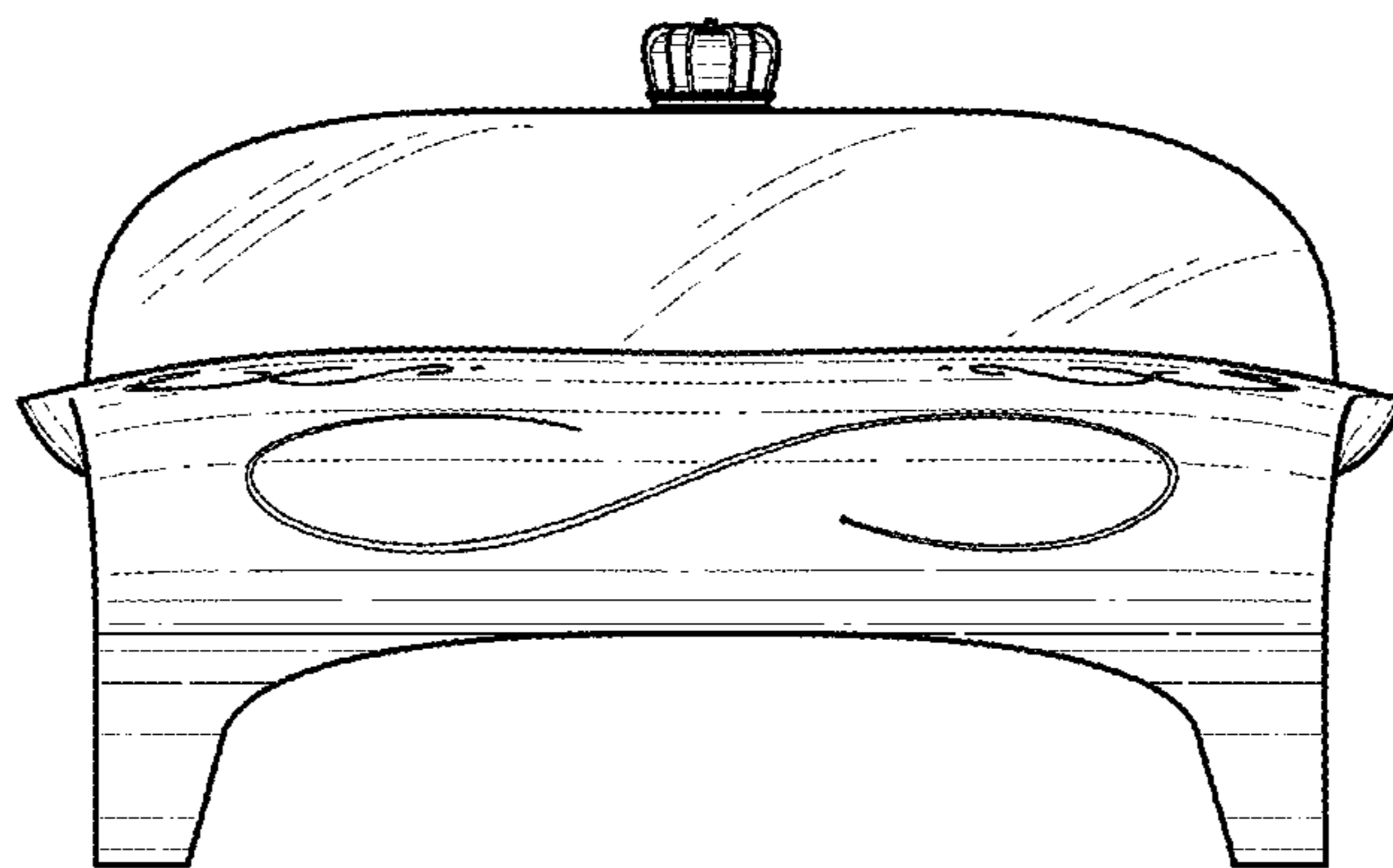


FIG. 5

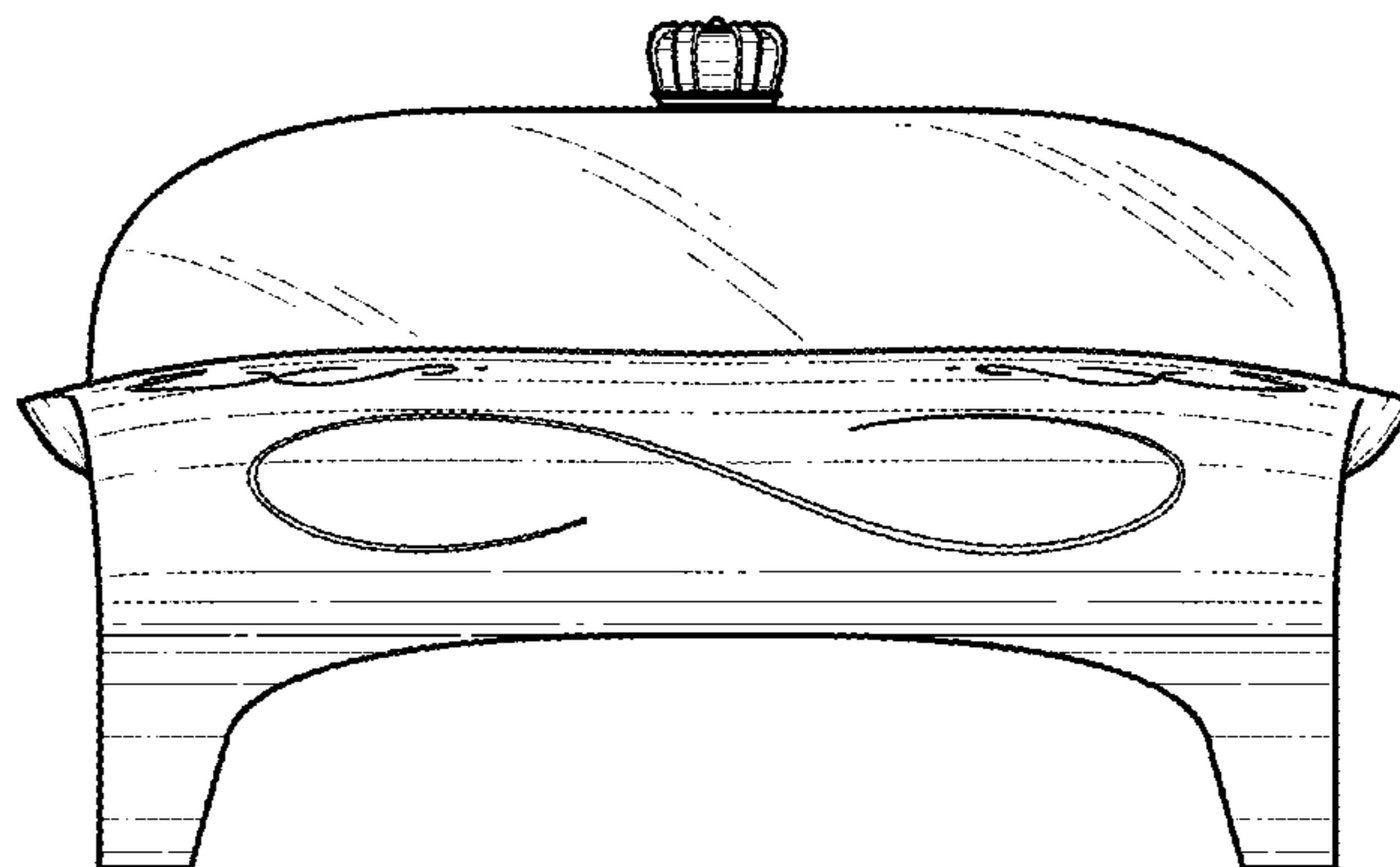


FIG. 6