



US00D776981S

(12) **United States Design Patent**
Eberhard et al.

(10) **Patent No.:** **US D776,981 S**
(45) **Date of Patent:** **** Jan. 24, 2017**

(54) **SCHNAPS GLASS**
(71) Applicants: **Theo Eberhard**, Munich (DE); **Klaus Sailer**, Munich (DE)
(72) Inventors: **Theo Eberhard**, Munich (DE); **Klaus Sailer**, Munich (DE)
(**) Term: **14 Years**
(21) Appl. No.: **29/523,509**
(22) Filed: **Apr. 10, 2015**

7,537,173 B1 * 5/2009 Kogan A47G 21/187
239/16
D619,428 S * 7/2010 Saha D7/669
D644,388 S * 8/2011 Quan D34/1
D655,985 S * 3/2012 Roberts D7/524
D659,465 S * 5/2012 Burns D7/300.2
D660,077 S * 5/2012 Burns D7/300.2
D662,779 S * 7/2012 Dail D7/524
D705,592 S * 5/2014 Burns D7/300.2
D748,432 S * 2/2016 Kushner D7/524
2005/0242102 A1 11/2005 Groppo
2011/0215107 A1 9/2011 Lee
2012/0205385 A1 8/2012 Crosby

(30) **Foreign Application Priority Data**
Feb. 16, 2015 (EM) 002634394-0003
(51) **LOC (10) Cl.** **07-01**
(52) **U.S. Cl.**
USPC **D7/537; D7/524; D7/300.2**
(58) **Field of Classification Search**
USPC D7/509, 524, 525, 526, 527, 528, 533,
D7/536, 537, 598, 599, 397, 398, 330.2;
220/703, 711, 712, 745; 215/374; 206/426
CPC A47G 19/2205; A47G 2400/045;
A47G 7/07; B65D 85/505
See application file for complete search history.

FOREIGN PATENT DOCUMENTS

DE 25 50 472 5/1976
DE 36 12 607 10/1987
DE 10 2013 018 495 5/2015
EP 1 591 046 11/2005
WO WO-2015/063319 5/2015

* cited by examiner

Primary Examiner — Marianne Pandozzi
Assistant Examiner — Jae Liang
(74) *Attorney, Agent, or Firm* — Norris McLaughlin & Marcus, P.A.

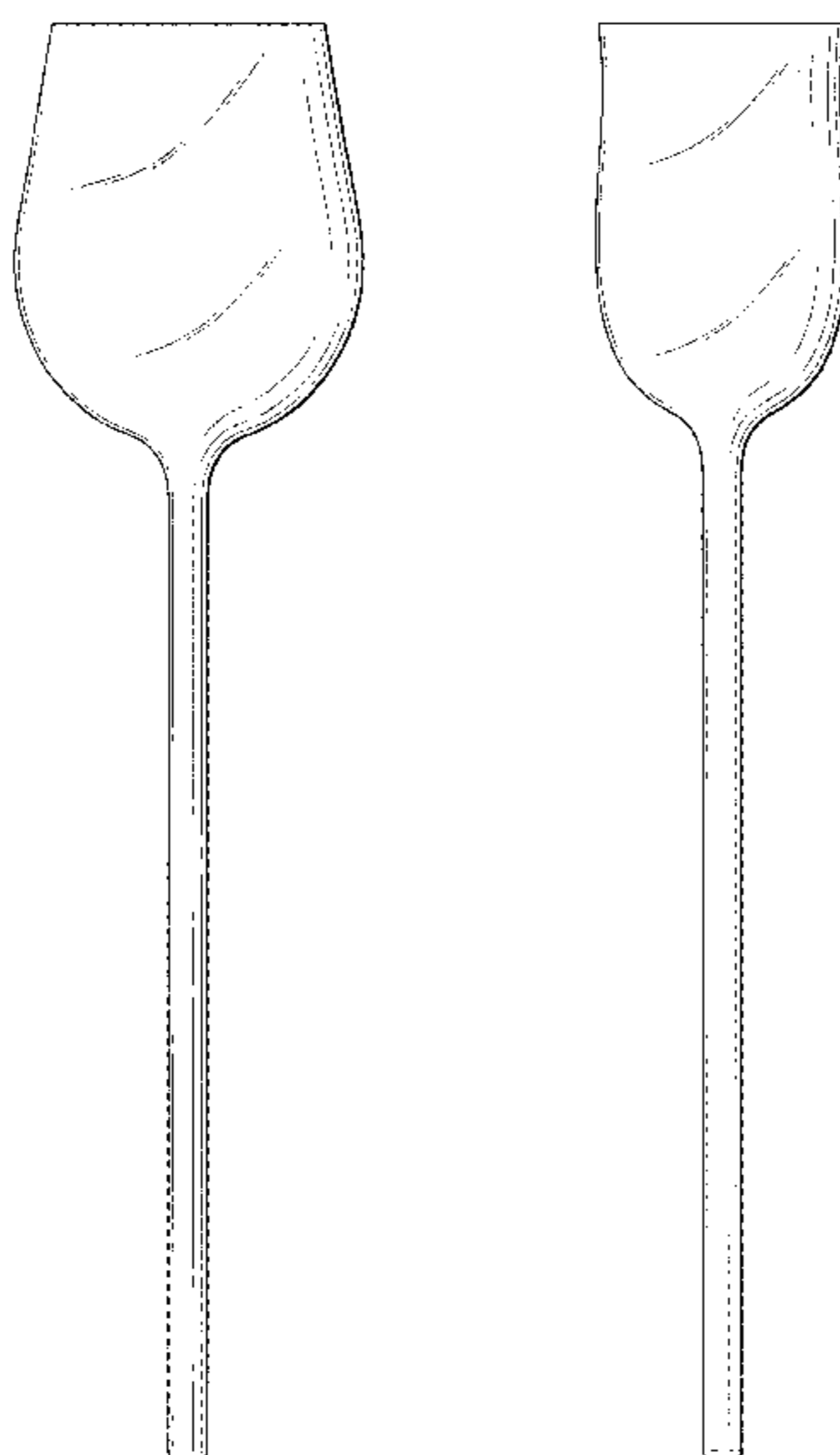
(56) **References Cited**
U.S. PATENT DOCUMENTS
1,421,696 A 7/1922 Kucera
D115,520 S * 7/1939 Moreau D7/537
D115,521 S * 7/1939 Moreau D7/537
2,996,208 A 8/1961 Schroeder
D269,659 S * 7/1983 Holloway D7/300.2
D290,208 S * 6/1987 Hlava D7/523
D320,136 S * 9/1991 Adcock D7/300.2
D464,231 S 10/2002 Crowley
D521,202 S * 5/2006 Lin D11/143
D570,158 S * 6/2008 Massi D7/509

(57) **CLAIM**
The ornamental design for a schnaps glass, as shown and described.

DESCRIPTION

FIG. 1 is a front elevational view of a schnaps glass showing our new design; the rear elevational view being identical; FIG. 2 is a right side elevational view thereof; the left side elevational view being identical; FIG. 3 is a top plan view thereof; and, FIG. 4 is a bottom plan view thereof.

1 Claim, 2 Drawing Sheets



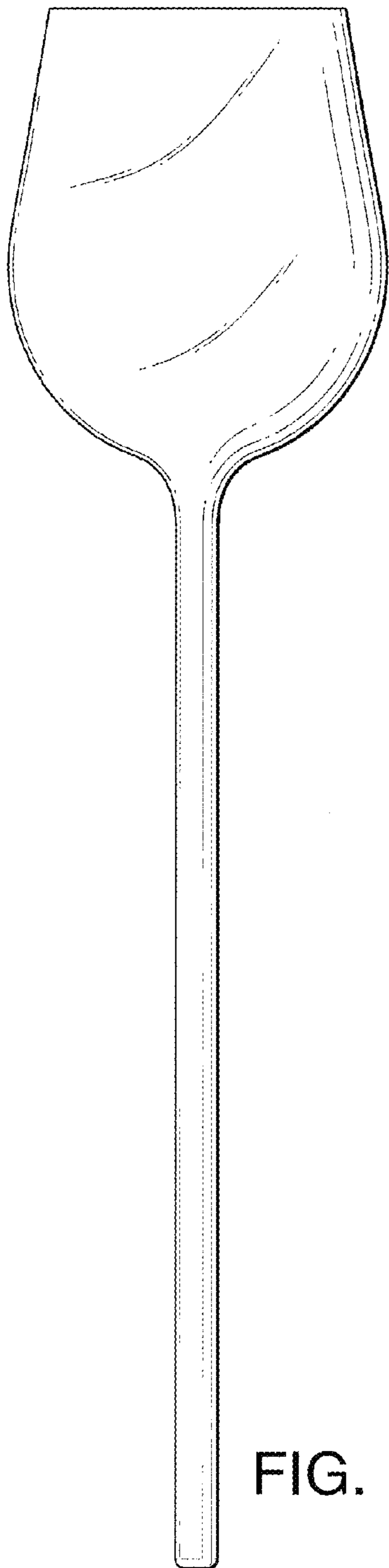


FIG. 1

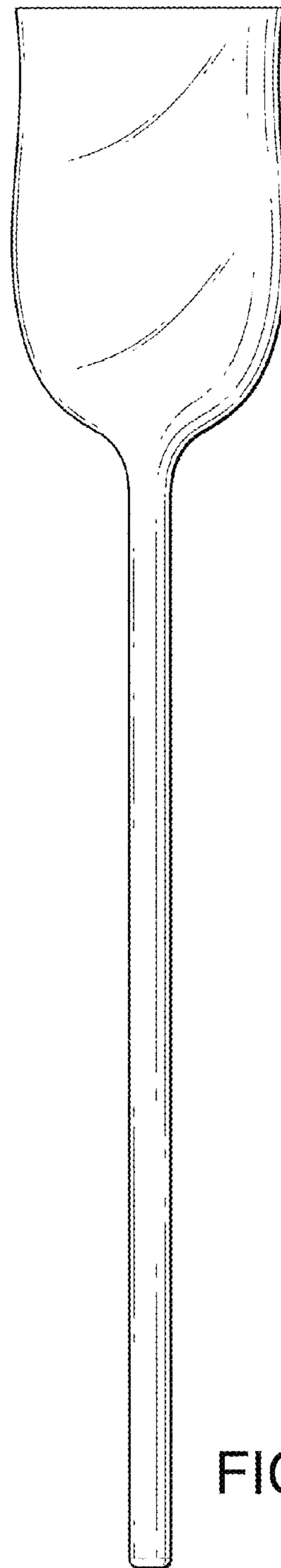


FIG. 2

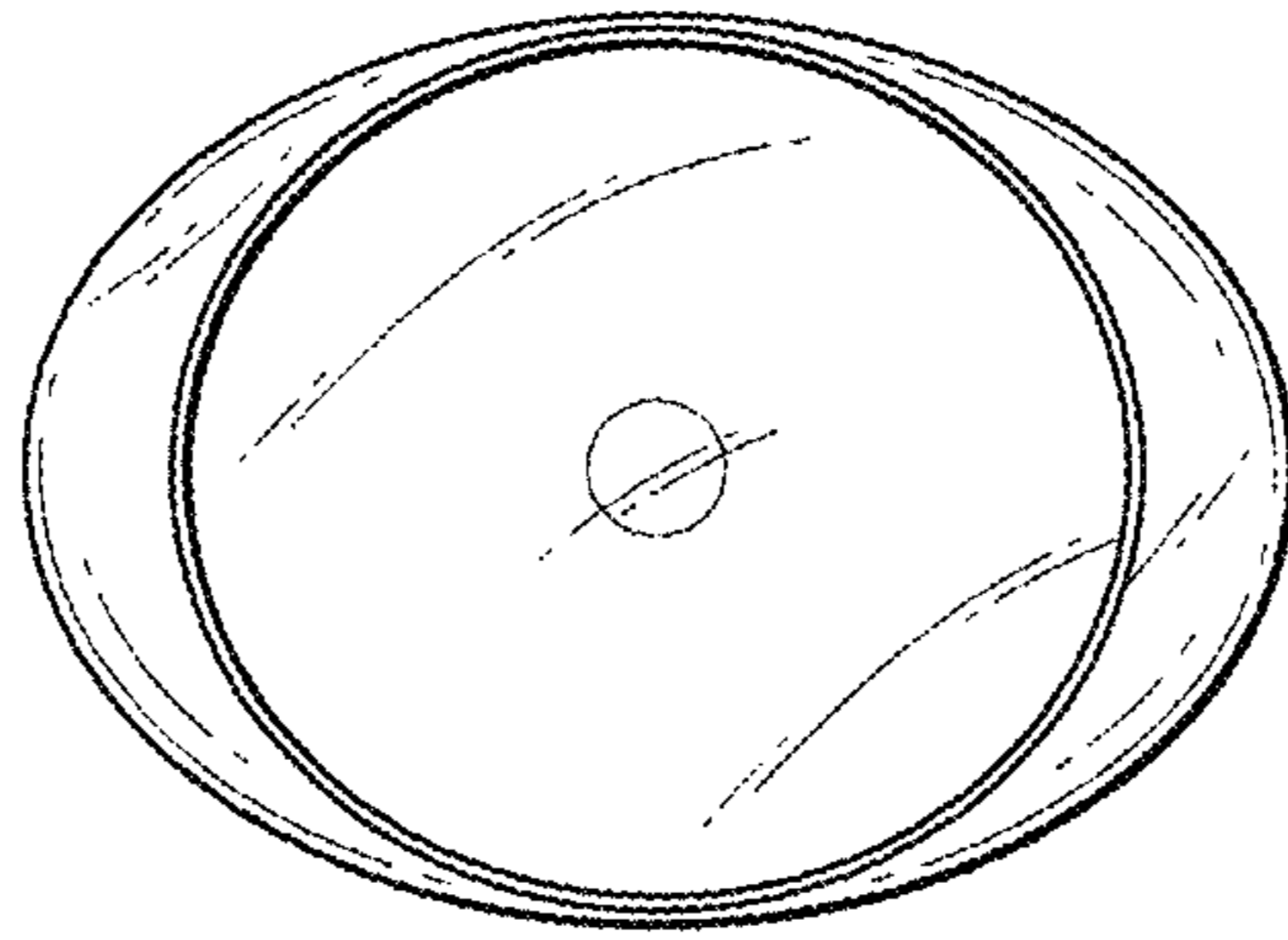


FIG. 3

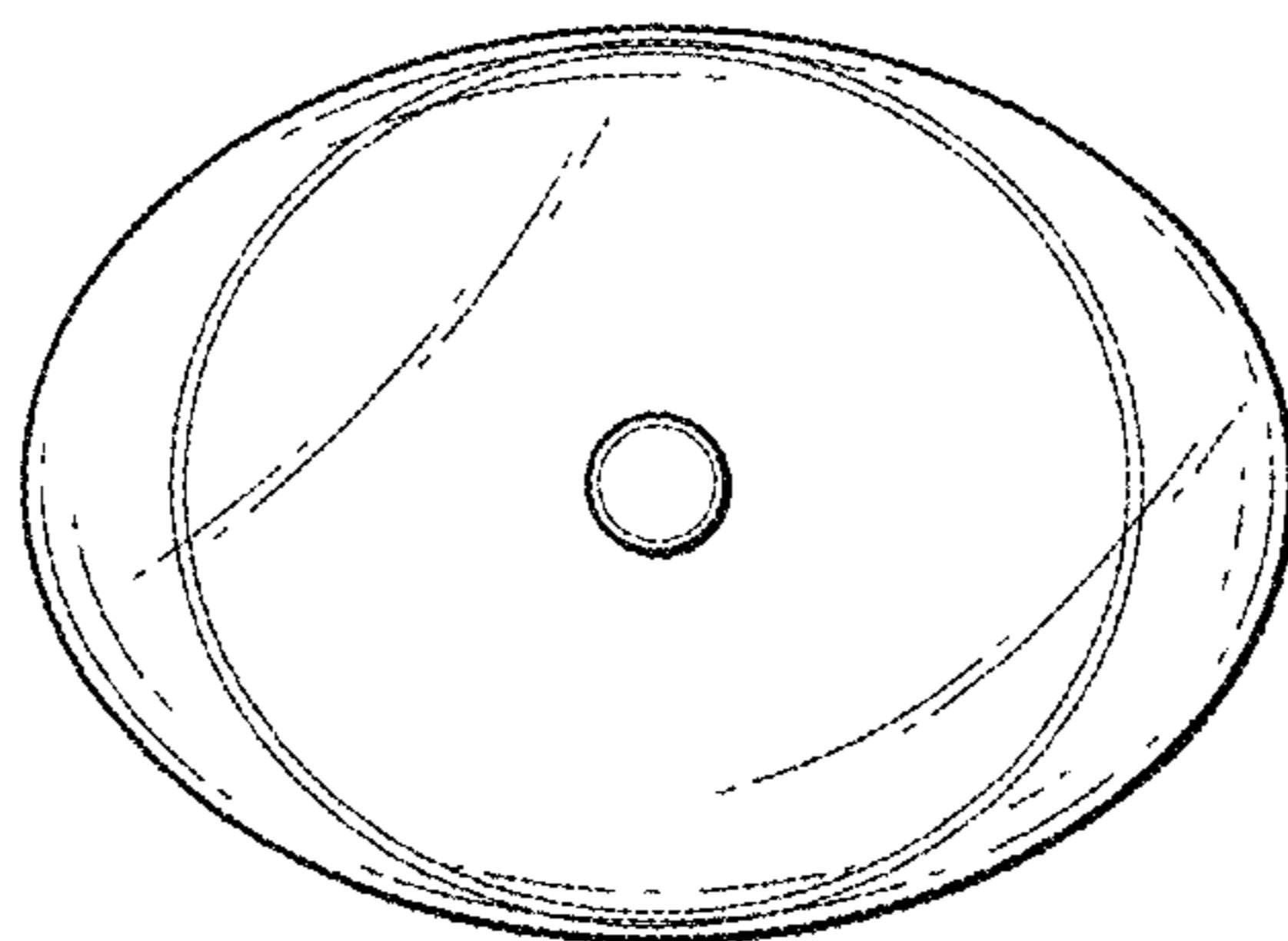


FIG. 4