



US00D776980S

(12) **United States Design Patent** (10) **Patent No.:** **US D776,980 S**
Thun et al. (45) **Date of Patent:** **** *Jan. 24, 2017**

(54) **GLASS**

(71) Applicant: **Zwilling J.A. Henckels AG**, Solingen (DE)

(72) Inventors: **Matteo Thun**, Mailand (IT); **Antonio Rodriguez**, Mailand (IT)

(73) Assignee: **Zwilling J.A. Henckels AG**, Solingen (DE)

(*) Notice: This patent is subject to a terminal disclaimer.

(**) Term: **15 Years**

(21) Appl. No.: **29/543,216**

(22) Filed: **Oct. 22, 2015**

Related U.S. Application Data

(63) Continuation-in-part of application No. 29/522,111, filed on Mar. 27, 2015, now Pat. No. Des. 742,176.

(51) **LOC (10) Cl.** **07-01**

(52) **U.S. Cl.**
USPC **D7/536; D7/533**

(58) **Field of Classification Search**

USPC D7/507, 509, 523, 529, 530, 531, 532, D7/533, 534, 535, 536, 514, 515, 602, D7/619.1, 387, 392.1, 396.1, 396.2, D7/396.3, 396.4, 396.5, 213, 394, 524, D7/537, 396.6, 558, 548, 543, 552.1, 545; D7/220/319, 324, 592.16, 592.17, 62.12, D7/649, 220/703, 704, 918, 919; D20/22, D20/27, 28, 41, 43; D11/26, 27, 29; D9/651, 517, 534, 527, 425, 553, 566, D9/567, 555, 600, 722, 434, 454; D8/396, D8/356; D3/202; D28/81, 82; D6/574, D6/547, 546, 553, 556, 537, 536, 540; D32/54; D10/46.2, 121, 119.3, 104.1
CPC A47G 19/22; A47G 19/2205; A47G 19/2211; A47G 19/2216; A47G 19/2222; A47G 19/2227; B65D 1/265; B65D 39/04

See application file for complete search history.

(56) **References Cited**

U.S. PATENT DOCUMENTS

D2,440 S	9/1866	Mathews	
2,725,733 A	6/1947	Davis	
5,076,463 A	12/1991	McGraw	
6,065,609 A *	5/2000	Lake	A47J 31/02 206/0.5
D438,430 S *	3/2001	Gabrhel	D7/509
D482,239 S *	11/2003	Bodum	D7/536
D519,785 S	5/2006	Bodum	
D523,693 S	6/2006	Bodum	
D550,033 S *	9/2007	Bodum	D7/509
D550,034 S	9/2007	Bodum	
D552,931 S *	10/2007	Bodum	D7/536
D553,437 S	10/2007	Bodum	
D553,440 S	10/2007	Bodum	
D553,909 S	10/2007	Bodum	
D557,563 S *	12/2007	Bodum	D7/509
D557,564 S *	12/2007	Bodum	D7/509
D563,172 S	3/2008	Bodum	
D565,354 S	4/2008	Bodum	
D565,903 S	4/2008	Bodum	
D567,590 S *	4/2008	Bodum	D7/533

(Continued)

FOREIGN PATENT DOCUMENTS

CN	2790328 Y	6/2006
CN	203873457 Y	10/2014
DE	20 2008 012 296 U1	3/2009

Primary Examiner — Marianne Pandozzi

Assistant Examiner — Jae Liang

(74) *Attorney, Agent, or Firm* — Gregory L. Mayback

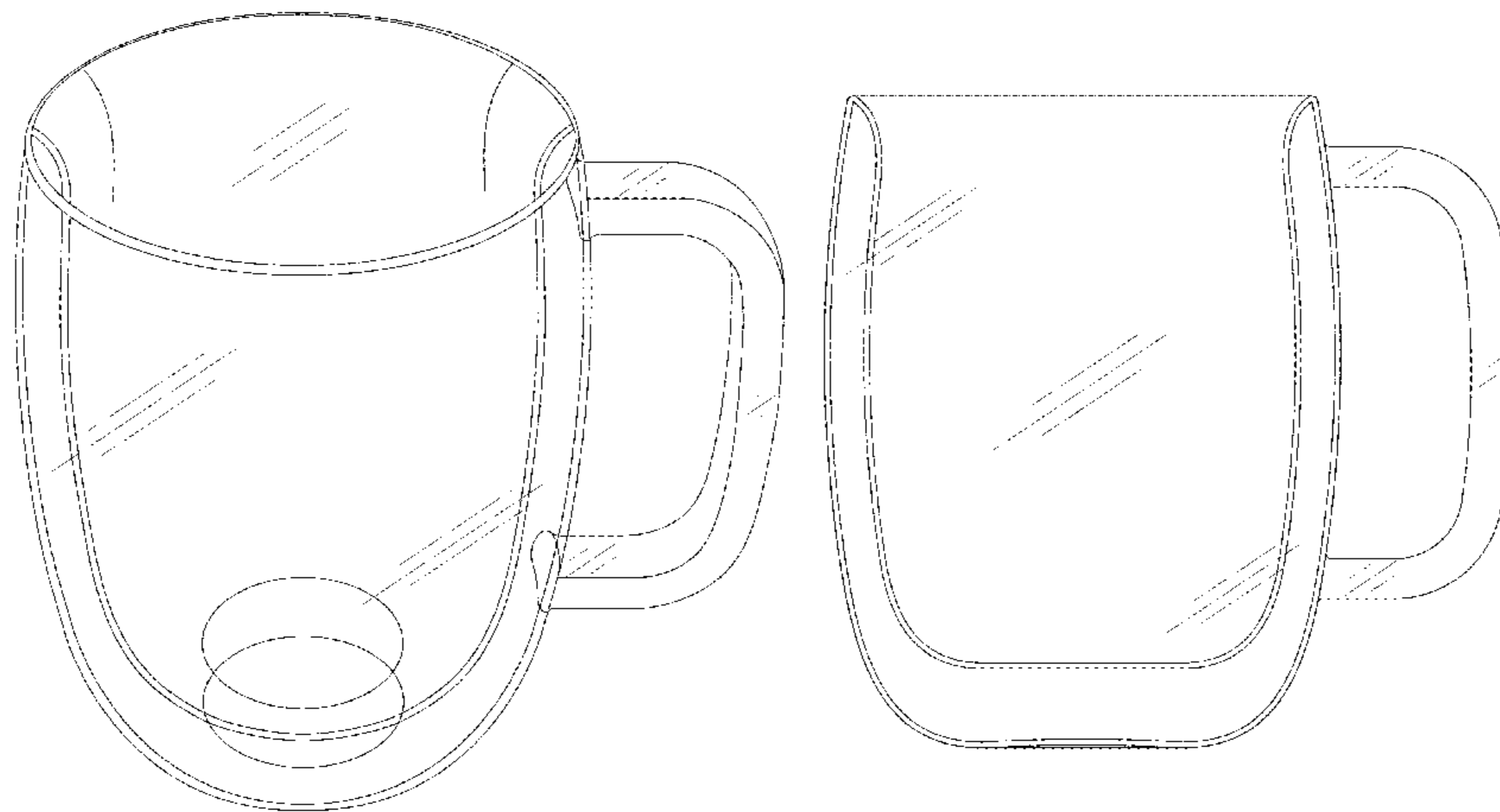
(57) **CLAIM**

The ornamental design for a glass, as shown and described.

DESCRIPTION

FIG. 1 is a perspective view of a glass showing our new design;
FIG. 2 is a front elevational view thereof;
FIG. 3 is a right side elevational view thereof;
FIG. 4 is a rear elevational view thereof;
FIG. 5 is a left side elevational view thereof;
FIG. 6 is a top plan view thereof; and,
FIG. 7 is a bottom plan view thereof.

1 Claim, 7 Drawing Sheets



(56)

References Cited

U.S. PATENT DOCUMENTS

D568,103	S	5/2008	Bodum	
D569,192	S *	5/2008	Bodum D7/533
D577,260	S	9/2008	Bodum	
D581,739	S	12/2008	Bodum	
D595,090	S	6/2009	Benson	
D597,791	S	8/2009	Lion	
D597,792	S	8/2009	Lion	
D599,619	S	9/2009	Bodum	
D609,053	S	2/2010	Dingenouts	
D622,548	S	8/2010	Jensen	
D623,897	S	9/2010	Ross	
D628,340	S	11/2010	Krause	
D631,294	S	1/2011	Ross	
D634,159	S	3/2011	Bodum	
D637,456	S	5/2011	Creech	
D648,599	S	11/2011	Watanabe	
D650,633	S	12/2011	Birgers	
D651,467	S	1/2012	Bodum	
D698,603	S	2/2014	Huckestein	
D748,944	S *	2/2016	Ross D7/536
2004/0149763	A1 *	8/2004	Chen A47G 19/2205 220/703
2010/0288776	A1 *	11/2010	Bodum A47J 41/0077 220/592.2
2014/0124470	A1	5/2014	Alberts	

* cited by examiner

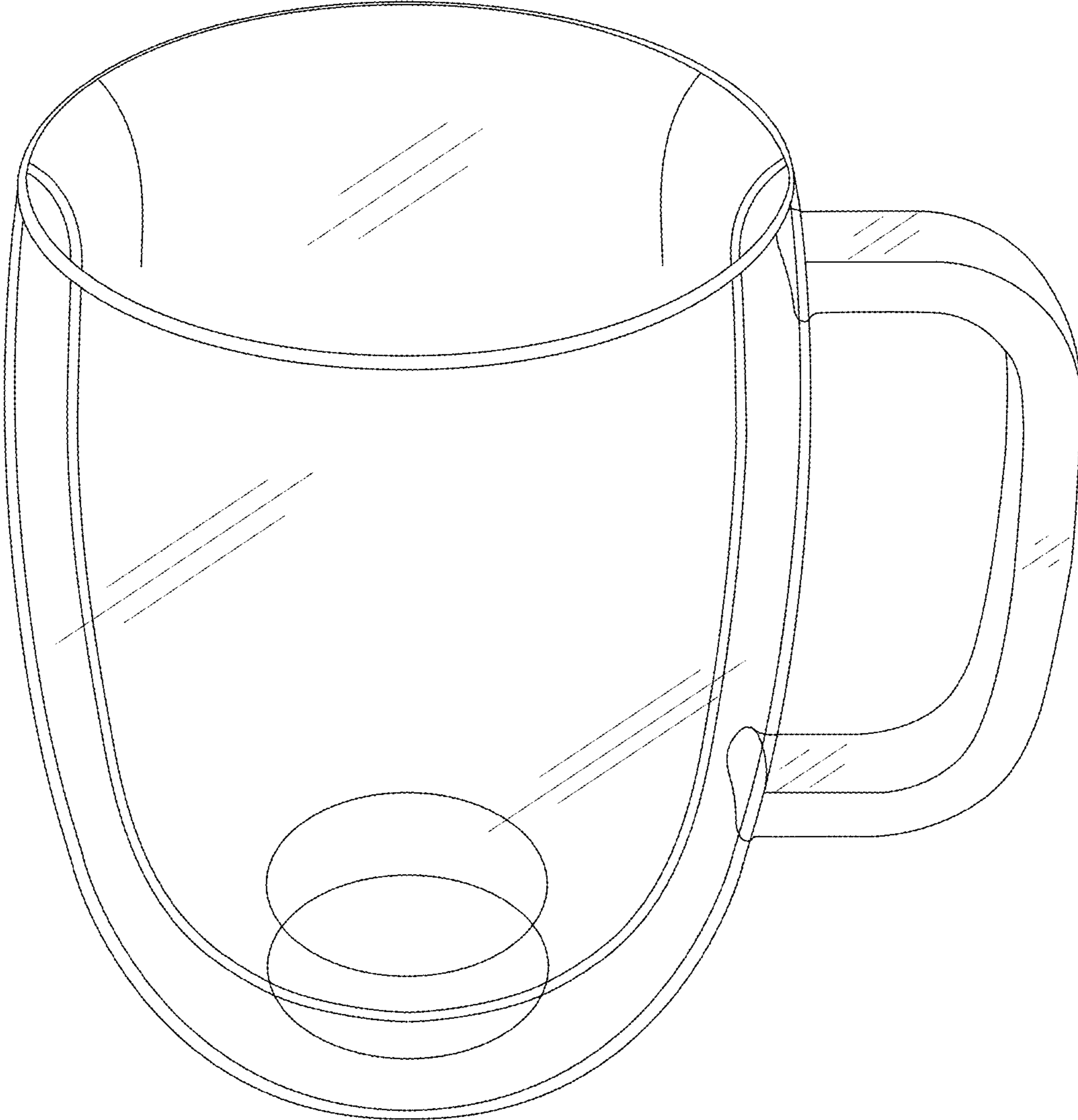


FIG. 1

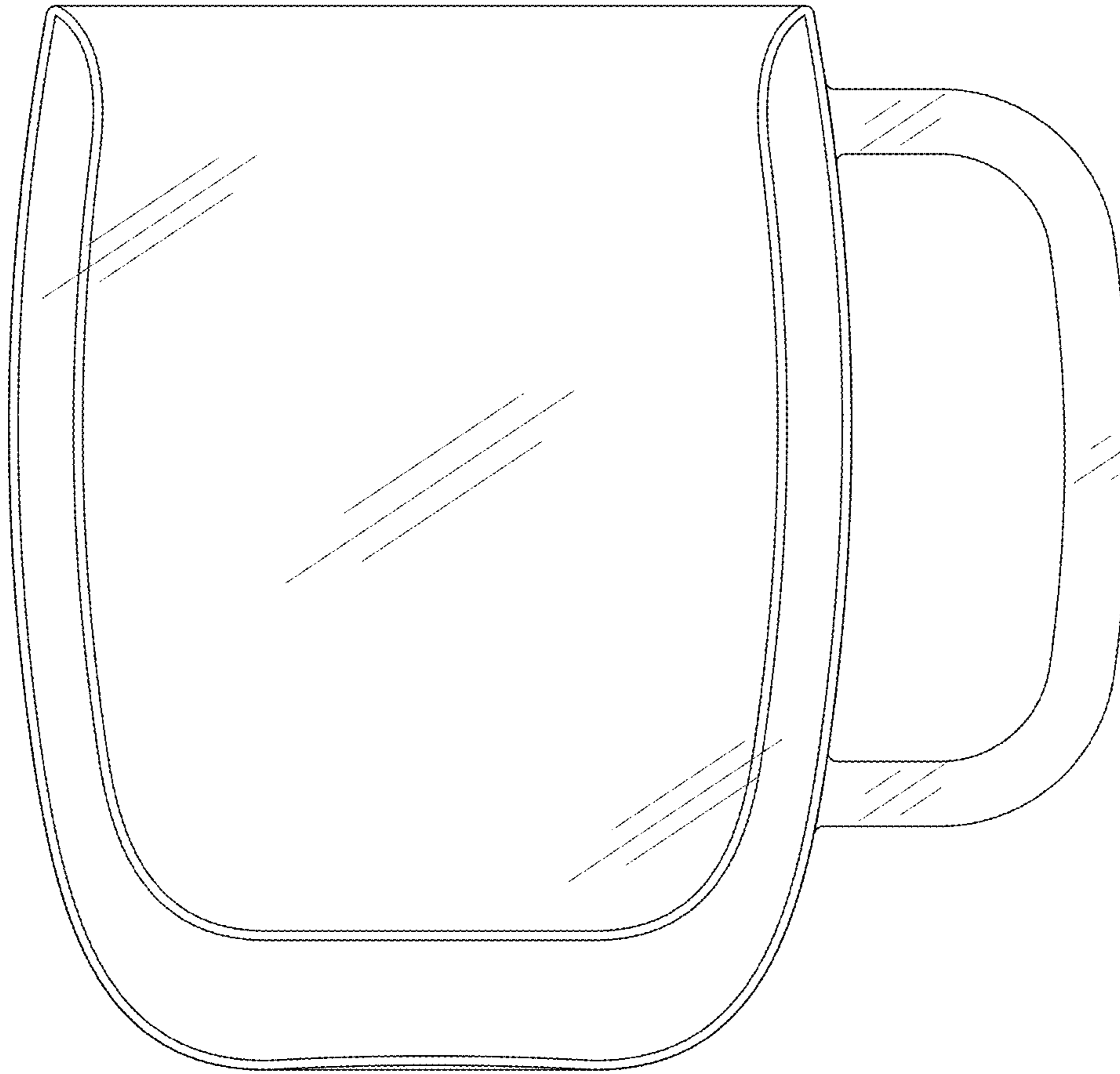


FIG. 2

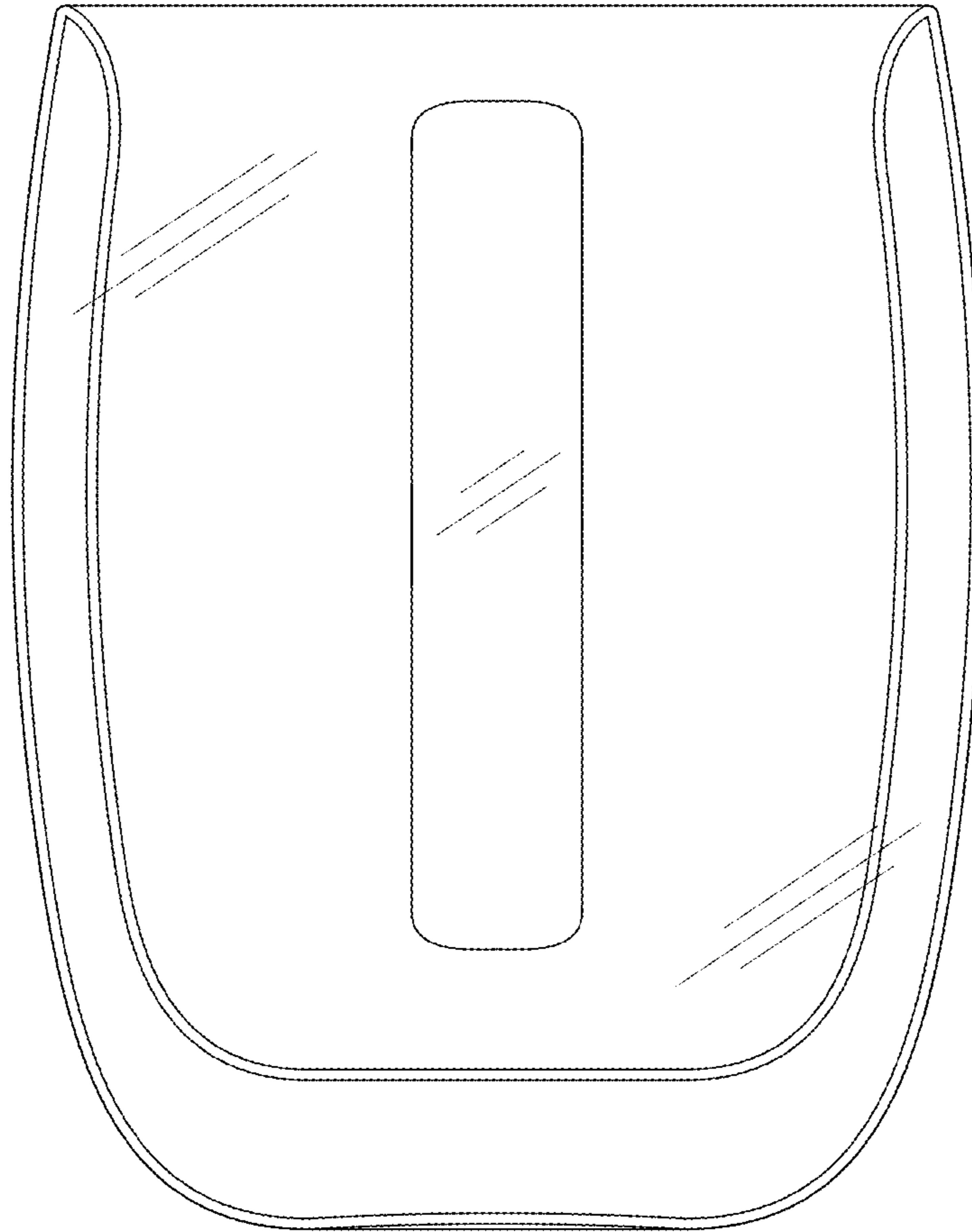


FIG. 3

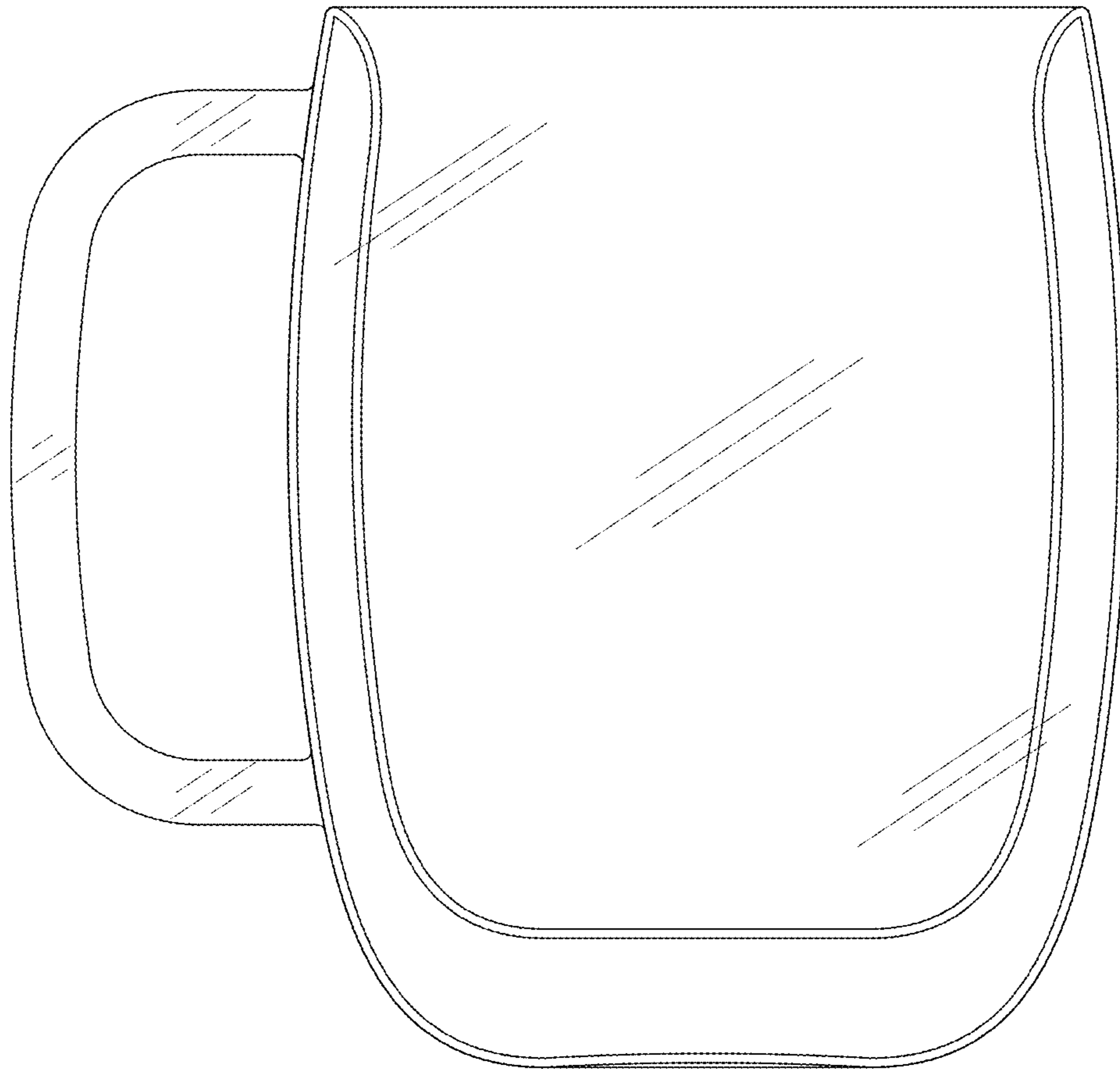


FIG. 4

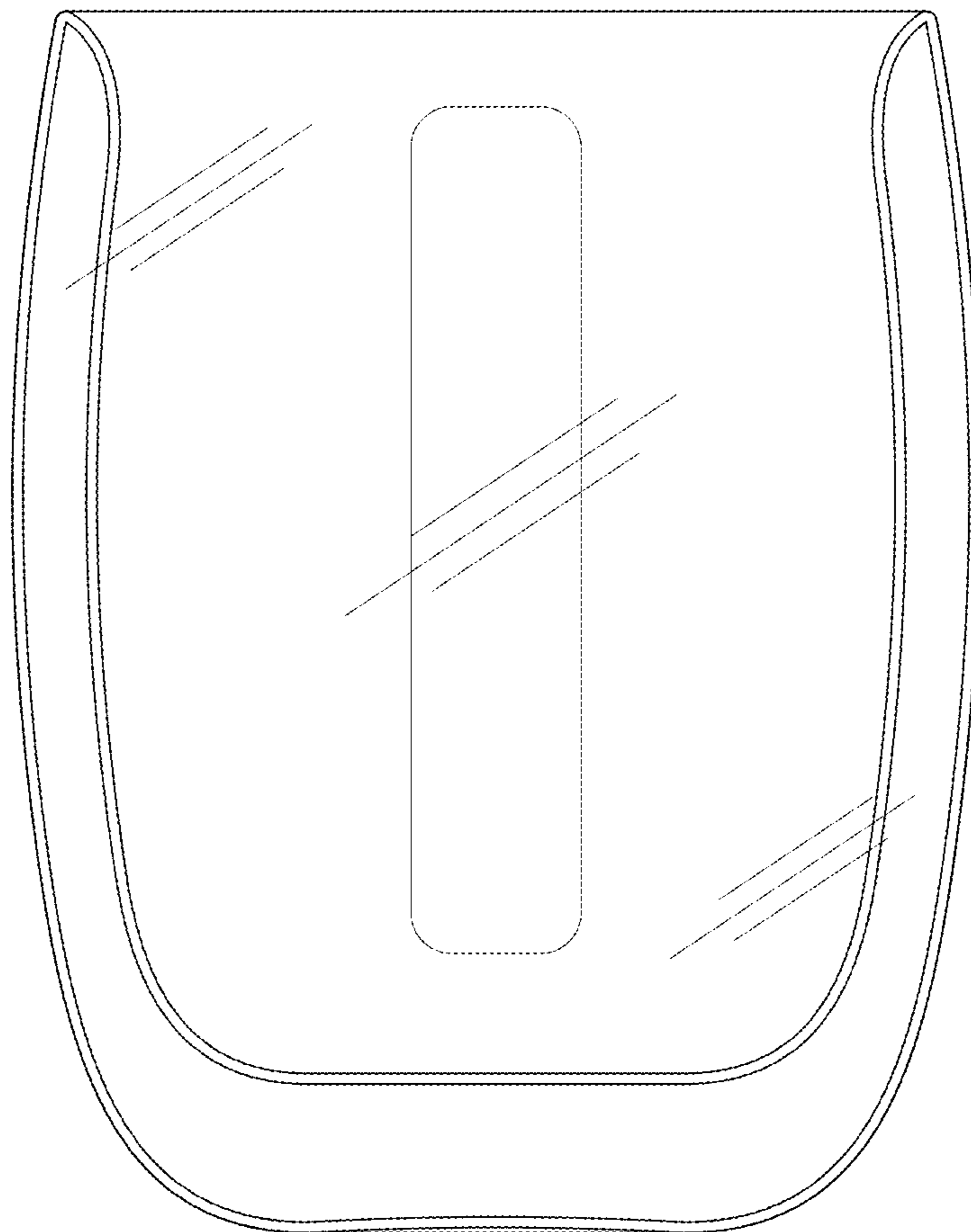


FIG. 5

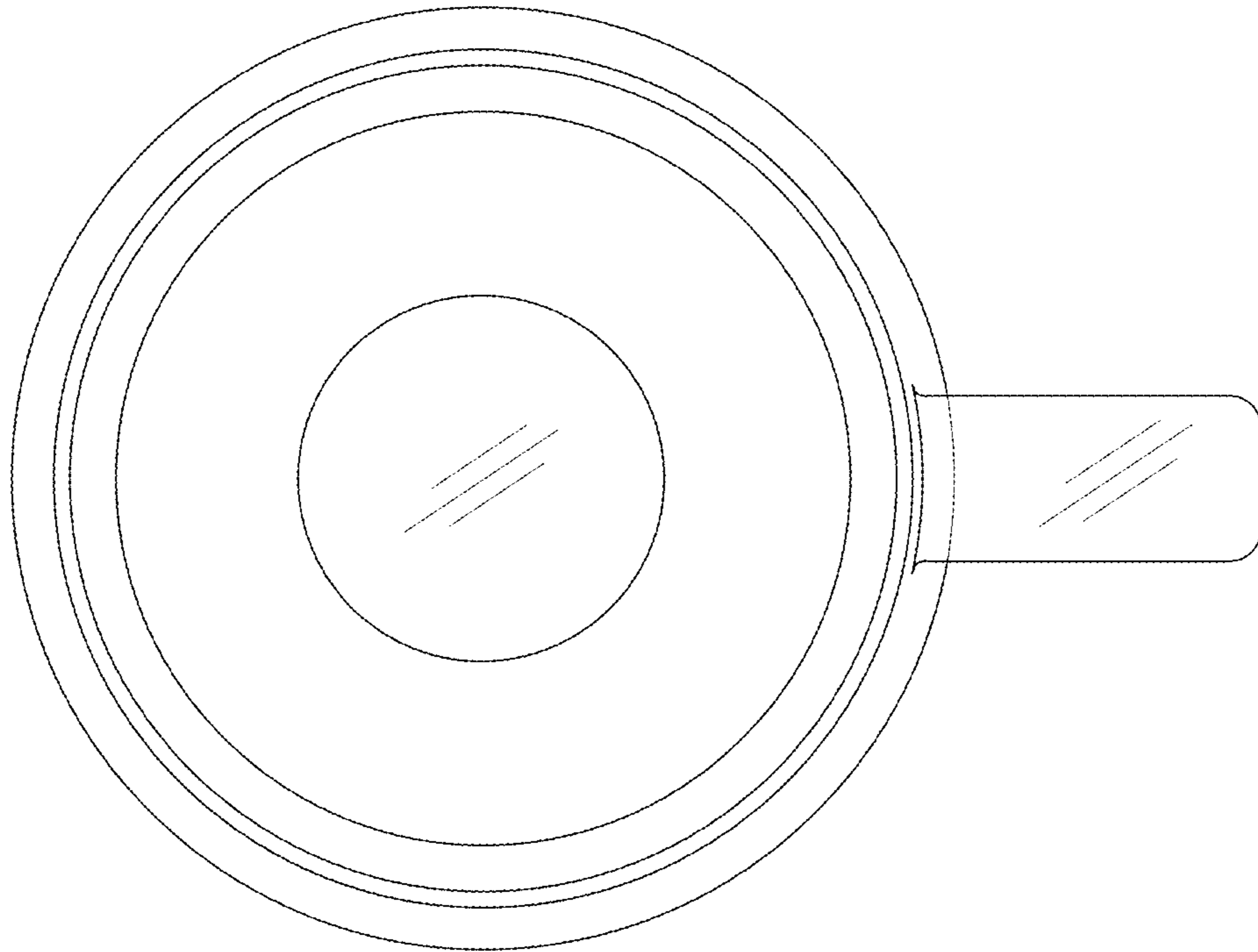


FIG. 6

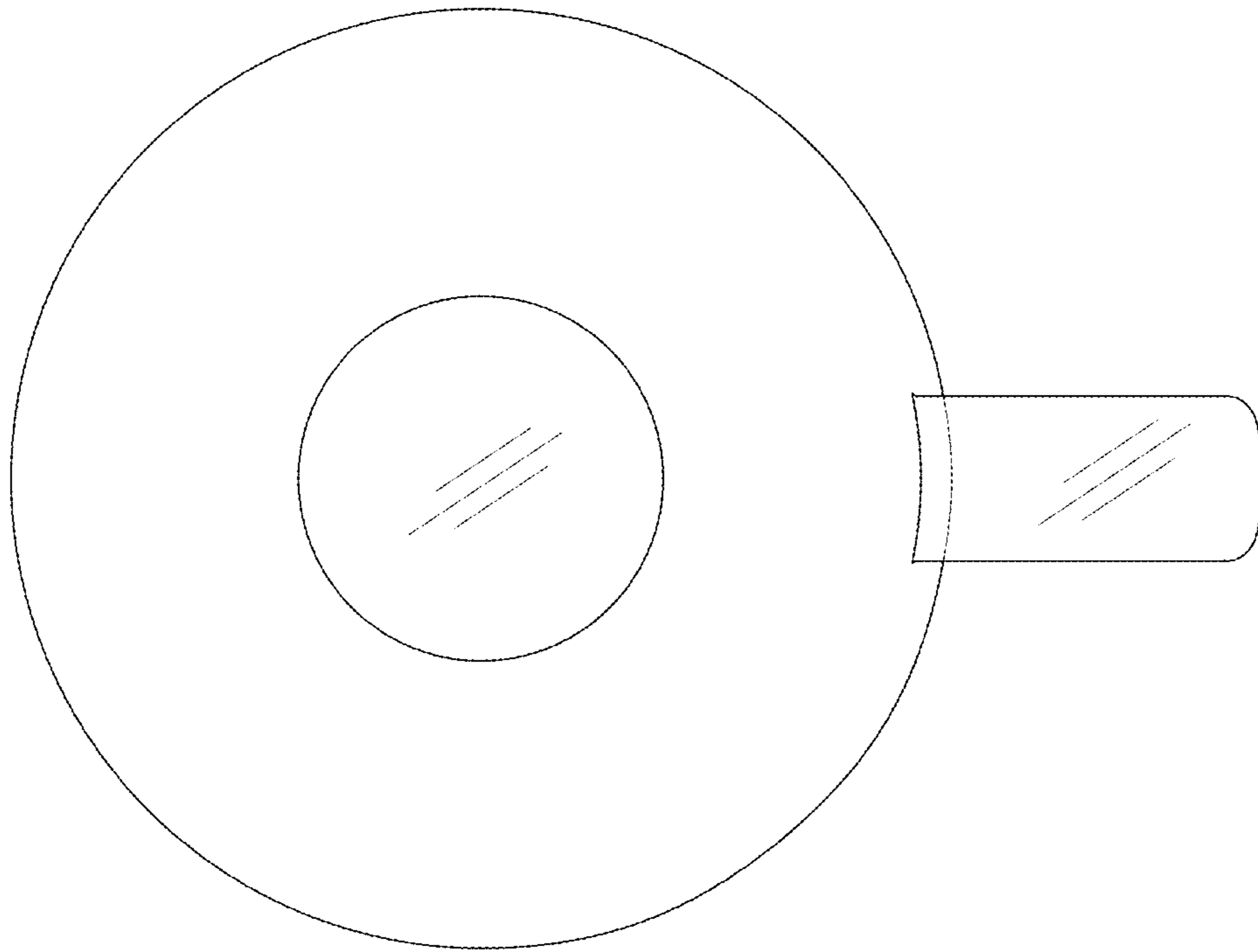


FIG. 7