



US00D776977S

(12) **United States Design Patent** (10) **Patent No.:** **US D776,977 S**  
**Rigas** (45) **Date of Patent:** **\*\* Jan. 24, 2017**

(54) **KITCHEN CUTLERY HANDLE**  
(71) Applicant: **Tomzi International**, Yardley, PA (US)  
(72) Inventor: **Peter Rigas**, Yardley, PA (US)  
(\*\*) Term: **15 Years**  
(21) Appl. No.: **29/532,262**  
(22) Filed: **Jul. 3, 2015**  
(51) **LOC (10) Cl.** ..... **07-03**  
(52) **U.S. Cl.**  
USPC ..... **D7/401.2; D7/349**  
(58) **Field of Classification Search**  
USPC ..... D7/393-395, 401.2, 642-652, 693,  
D7/695-696; D8/93, 97-100, 107, 300,  
D8/321; D22/117-118  
CPC ..... A01B 1/20; A01B 1/22; A22C 25/006;  
A47G 21/06; A47G 21/065; A61B  
17/3211; A61B 17/3213; B21D  
53/64; B25G 3/36; B26B 1/00; B26B  
1/08; B26B 1/10; B26B 3/00; B26B 3/02;  
B26B 3/03; B26B 3/04; B26B  
3/06; B26B 5/00; B26B 5/001; B26B  
5/007; B26B 7/00; B26B 7/005; B26B  
9/00; B26B 9/02; B26B 11/00; B26B  
11/006; B26B 17/00; B26B  
17/006; B26B 29/02  
See application file for complete search history.

734,909 A 7/1903 MacLean  
D51,772 S 2/1918 Berkshire  
D57,935 S 5/1921 Shivley  
1,444,659 A 2/1923 Carlson  
1,754,543 A 4/1930 Callum  
1,793,171 A 2/1931 Grant  
1,819,623 A 8/1931 Rocklin  
1,820,234 A 8/1931 Lees  
1,967,479 A 7/1934 Platts  
2,091,458 A 8/1936 Sleight  
2,073,618 A 3/1937 Askue  
2,124,615 A 7/1938 Foltz  
2,164,117 A 6/1939 Mack  
2,168,237 A 8/1939 Polacsek  
D137,916 S 5/1944 Mrazek  
2,359,098 A 9/1944 Engle  
D139,768 S 12/1944 Ellinwood  
D143,250 S 12/1945 Storm  
D149,814 S 6/1948 Hvale et al.

(Continued)

*Primary Examiner* — Ricky Pham  
(74) *Attorney, Agent, or Firm* — Joseph E. Maenner;  
Maenner & Associates, LLC

(57) **CLAIM**

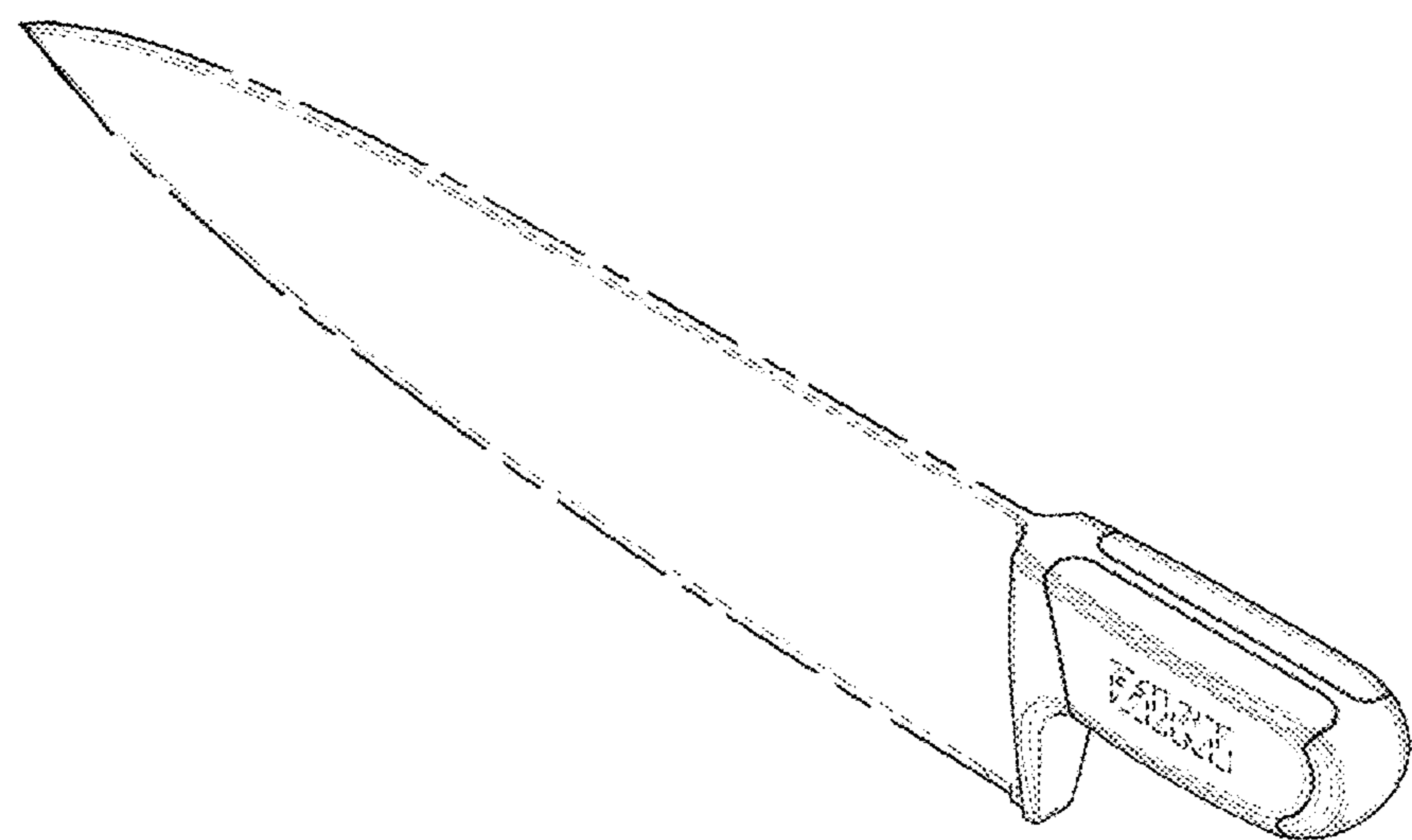
The ornamental design for a kitchen cutlery handle, as shown and described.

**DESCRIPTION**

FIG. 1 is a perspective view of a kitchen cutlery handle showing my new design.  
FIG. 2 is a right side elevational view thereof.  
FIG. 3 is a left side elevational view thereof.  
FIG. 4 is an enlarged front elevational view thereof.  
FIG. 5 is an enlarged rear elevational view thereof.  
FIG. 6 is a top plan view thereof; and,  
FIG. 7 is a bottom plan view thereof.  
The broken lines for the cutlery blades and logo on the handle in FIGS. 1-7 represent environmental subject matter and form no part of the claimed design.

**1 Claim, 4 Drawing Sheets**

(56) **References Cited**  
U.S. PATENT DOCUMENTS  
209,649 A 11/1878 Brown et al.  
298,829 A 5/1884 Cox  
356,453 A 1/1887 Cox  
432,991 A 7/1890 Eggleston et al.  
472,006 A 3/1892 Walker et al.  
527,175 A 10/1894 Hurd  
D24,386 S 6/1895 Christy  
673,506 A 5/1901 Pitts



(56)

References Cited

U.S. PATENT DOCUMENTS

D154,134 S 6/1949 McMillen  
 2,520,355 A 8/1950 Bell  
 D169,413 S 4/1953 Bordelson  
 D182,291 S 3/1958 Lamb  
 D225,387 S 12/1972 Krock  
 D226,410 S 2/1973 Kunze  
 D229,472 S 12/1973 Collins  
 D233,122 S 10/1974 Fanzzo  
 3,865,370 A 2/1975 Rogers  
 D234,740 S 4/1975 Friedman  
 D235,841 S 7/1975 Cremonese  
 3,905,598 A 9/1975 Ballog  
 3,947,977 A 4/1976 Bishop  
 4,030,841 A 6/1977 Balasty  
 4,076,427 A 2/1978 Anderson  
 4,087,911 A 5/1978 Schrock et al.  
 4,178,684 A 12/1979 Mightly  
 4,202,095 A 5/1980 Gingras  
 D257,056 S 9/1980 Spivey  
 4,283,854 A 8/1981 Austin  
 4,470,327 A 9/1984 Gerber, Jr. et al.  
 D278,953 S 5/1985 Smith  
 4,578,864 A 4/1986 Hoffman  
 4,712,304 A 12/1987 Sanelli  
 D295,011 S 4/1988 Herron et al.  
 4,750,760 A 6/1988 Gurley  
 D300,601 S 4/1989 Himbert et al.  
 4,825,552 A 5/1989 Bendickson et al.  
 D303,748 S 10/1989 Yamashigi  
 4,885,818 A 12/1989 Arterbury  
 D306,812 S 3/1990 Kawasaki  
 5,081,770 A 1/1992 Fierthaler  
 5,251,380 A 10/1993 Craig  
 D368,001 S 3/1996 Cohen et al.  
 D379,914 S 6/1997 Bloch  
 5,689,890 A 11/1997 Glesser  
 5,791,055 A 8/1998 Mangol

D400,059 S 10/1998 Cohen et al.  
 D448,253 S 9/2001 Staib, Jr. et al.  
 6,305,051 B1 10/2001 Cho  
 D455,937 S \* 4/2002 Huebner ..... D7/649  
 6,381,855 B1 5/2002 Lin  
 D462,582 S 9/2002 Parlowski  
 6,460,255 B1 10/2002 Dassaud  
 D473,430 S \* 4/2003 Fedor ..... D7/649  
 D476,535 S 7/2003 Garon  
 6,598,302 B1 7/2003 Peppel et al.  
 6,625,890 B2 9/2003 Hufnagel et al.  
 6,701,624 B1 3/2004 White  
 6,745,477 B2 6/2004 Gray  
 D538,590 S \* 3/2007 Stahl ..... D7/395  
 D539,082 S \* 3/2007 Molayem ..... D7/393  
 D539,083 S \* 3/2007 Molayem ..... D7/393  
 7,228,632 B2 6/2007 Fedor et al.  
 D546,134 S \* 7/2007 Leuze ..... D7/649  
 D551,498 S 9/2007 Schmidt  
 D557,081 S \* 12/2007 Hadj-Chikh ..... D7/649  
 7,322,113 B2 1/2008 Tetreault et al.  
 D579,267 S 10/2008 Simha  
 7,434,320 B2 10/2008 Aston, III  
 7,712,402 B2 5/2010 Ishii  
 7,726,030 B2 6/2010 Hayes  
 D634,022 S \* 3/2011 Scappaticci ..... D24/215  
 7,930,804 B2 4/2011 Cornfield  
 D649,411 S \* 11/2011 Lo ..... D7/649  
 D660,098 S \* 5/2012 Chen ..... D7/401.2  
 8,419,510 B2 4/2013 Neal  
 D710,158 S \* 8/2014 Berger ..... D7/401.2  
 D747,161 S \* 1/2016 Makela ..... D7/649  
 D749,915 S \* 2/2016 Haas ..... D7/649  
 2002/0144410 A1 10/2002 Hufnagel et al.  
 2002/0170184 A1 11/2002 Lothe  
 2004/0123471 A1 7/2004 Onion  
 2009/0007434 A1 1/2009 Kwok  
 2009/0133268 A1 5/2009 Chambless, III et al.  
 2012/0079725 A1 4/2012 Hatch et al.

\* cited by examiner

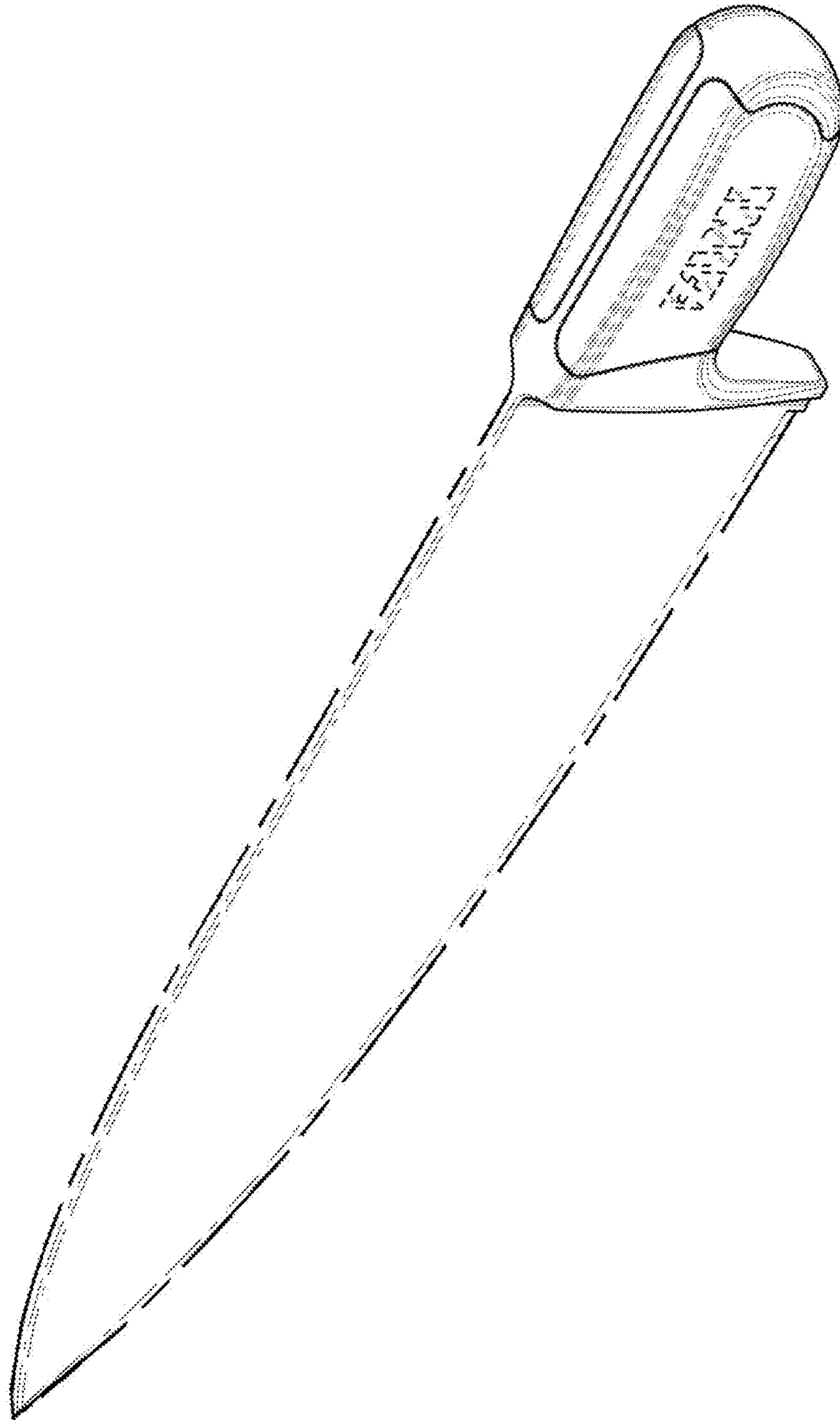


FIG. 1

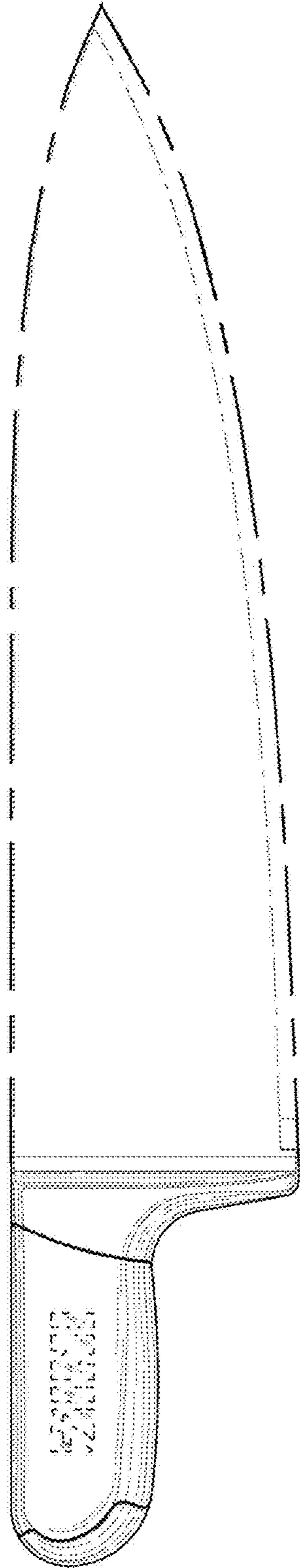


FIG. 2

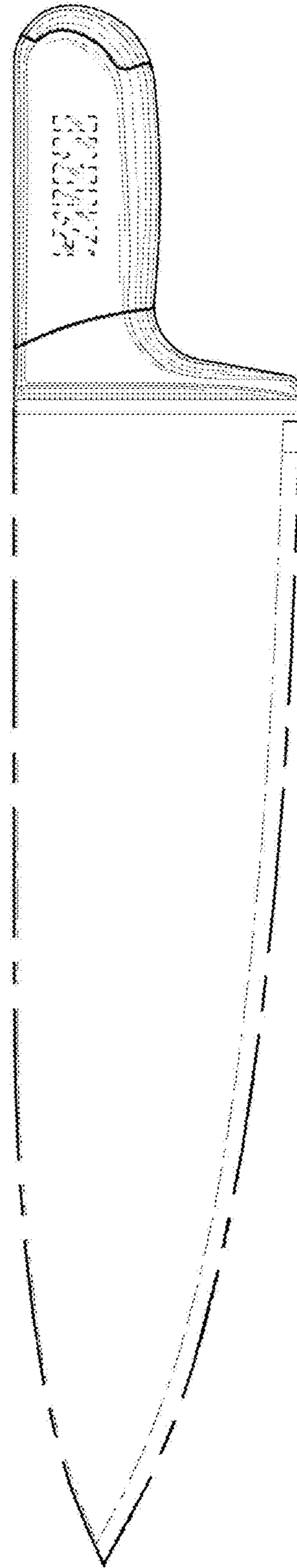


FIG. 3



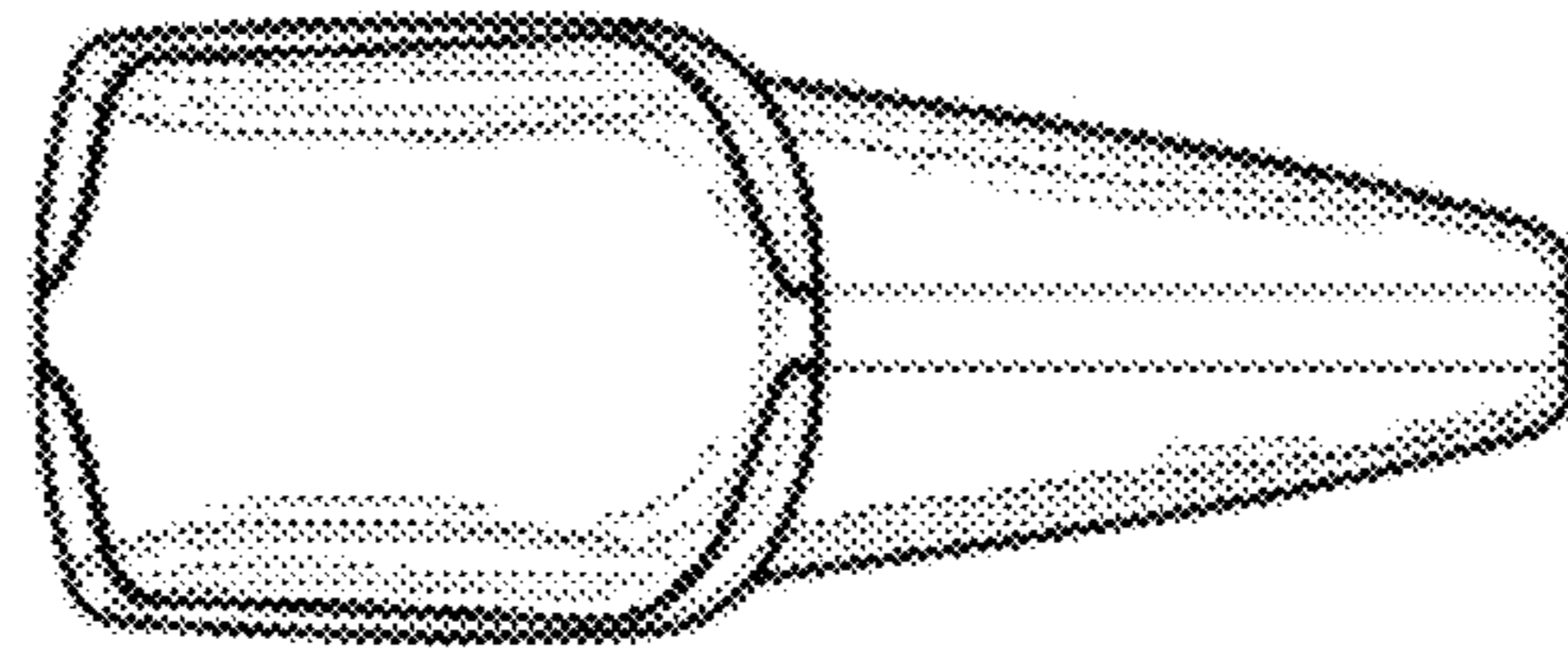


FIG. 5

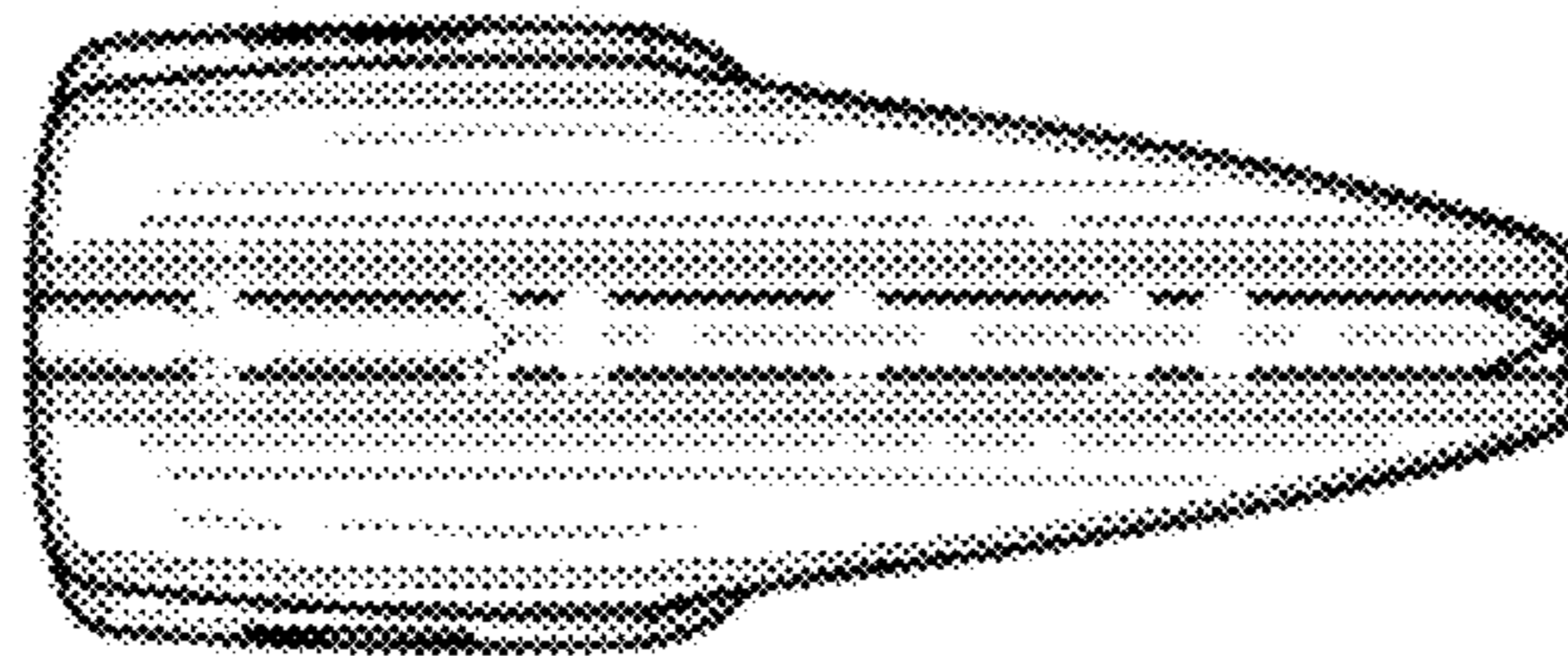


FIG. 4

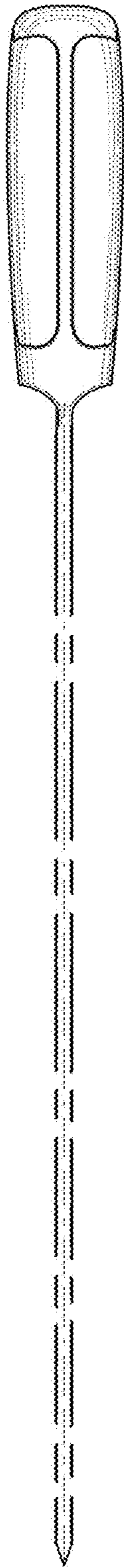


FIG. 6

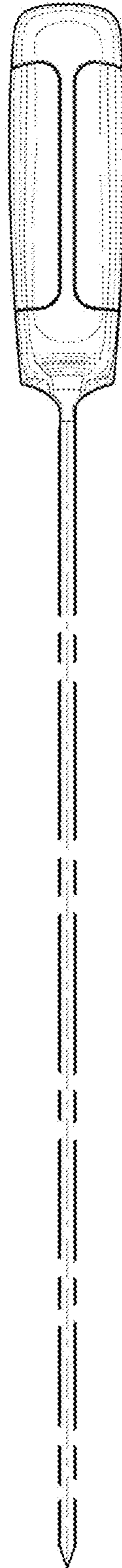


FIG. 7